



US00D657111S

(12) **United States Design Patent**
Shibata et al.

(10) **Patent No.:** **US D657,111 S**
(45) **Date of Patent:** **** Apr. 3, 2012**

(54) **FORKLIFT TRUCK**

(56) **References Cited**

(75) Inventors: **Naoki Shibata**, Tokyo (JP); **Jun Kawazoe**, Tokyo (JP); **Miyahito Hase**, Tokyo (JP)

(73) Assignee: **Mitsubishi Heavy Industries, Ltd.**, Tokyo (JP)

(**) Term: **14 Years**

(21) Appl. No.: **29/394,675**

(22) Filed: **Jun. 20, 2011**

(30) **Foreign Application Priority Data**

Dec. 20, 2010 (JP) 2010-030419

(51) **LOC (9) Cl.** **12-05**

(52) **U.S. Cl.** **D34/34**

(58) **Field of Classification Search** D34/34,
D34/35; 414/685, 465; 180/89.12, 89.14,
180/89.17; 187/237, 238, 414

See application file for complete search history.

U.S. PATENT DOCUMENTS

D242,337 S *	11/1976	Priester et al.	D34/37
D369,010 S *	4/1996	Soederberg	D34/34
D571,522 S *	6/2008	Bornhorst et al.	D34/35
D576,775 S *	9/2008	Buchmann et al.	D34/35
D594,172 S *	6/2009	Shibata et al.	D34/34
D594,173 S *	6/2009	Shibata et al.	D34/34
D610,325 S *	2/2010	Betzler	D34/33
D612,563 S *	3/2010	Stark	D34/34

* cited by examiner

Primary Examiner — Cynthia Ramirez

(74) *Attorney, Agent, or Firm* — Birch, Stewart, Kolasch & Birch, LLP

(57) **CLAIM**

The ornamental design for a forklift truck, as shown and described.

DESCRIPTION

FIG. 1 is a perspective view of a forklift truck in accordance with our invention;

FIG. 2 is a right side elevation view thereof;

FIG. 3 is a left side elevation view thereof;

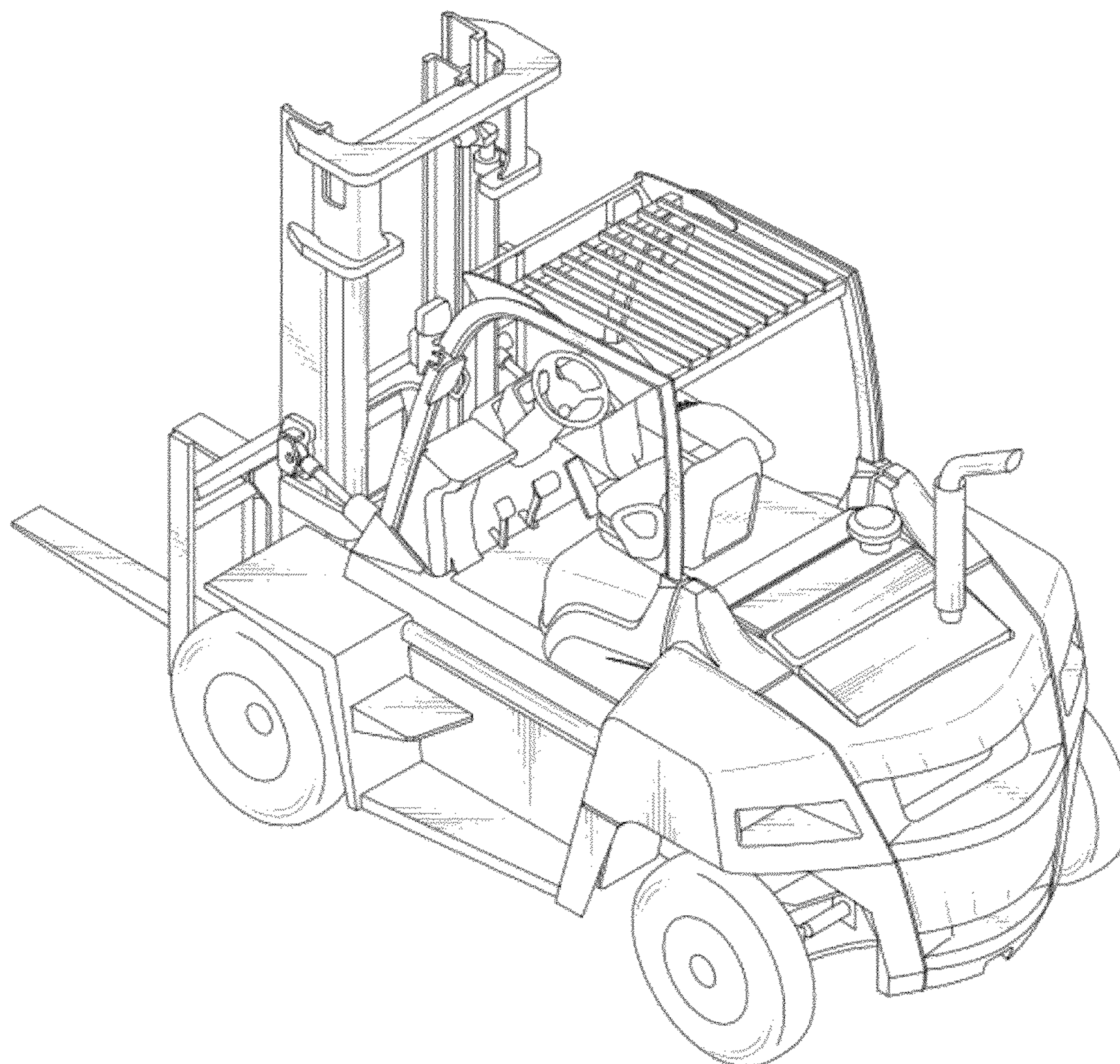
FIG. 4 is a front elevation view thereof;

FIG. 5 is a rear elevation view thereof;

FIG. 6 is a top plan view thereof; and,

FIG. 7 is a bottom plan view thereof.

1 Claim, 7 Drawing Sheets



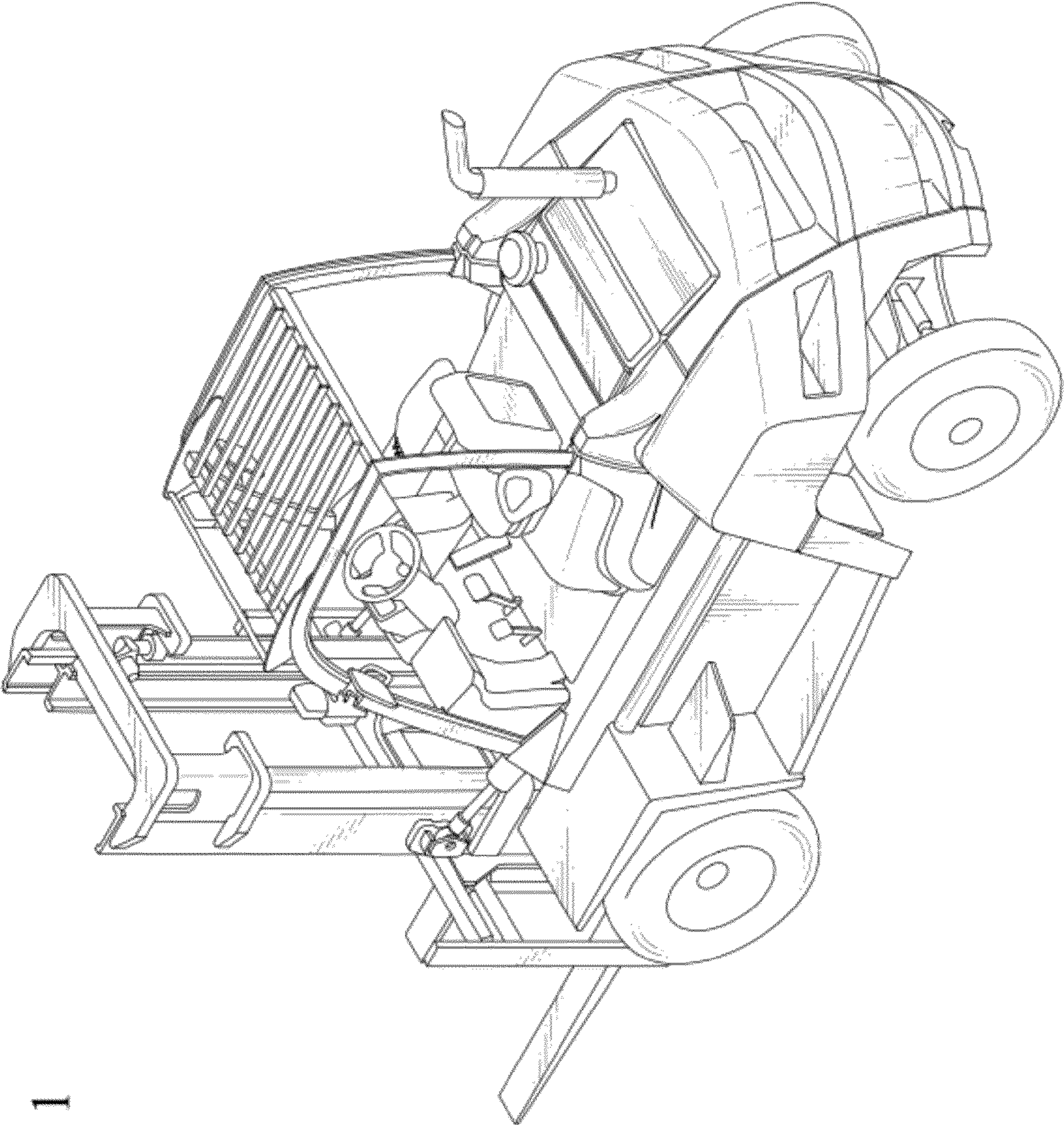


FIG. 1

FIG. 2

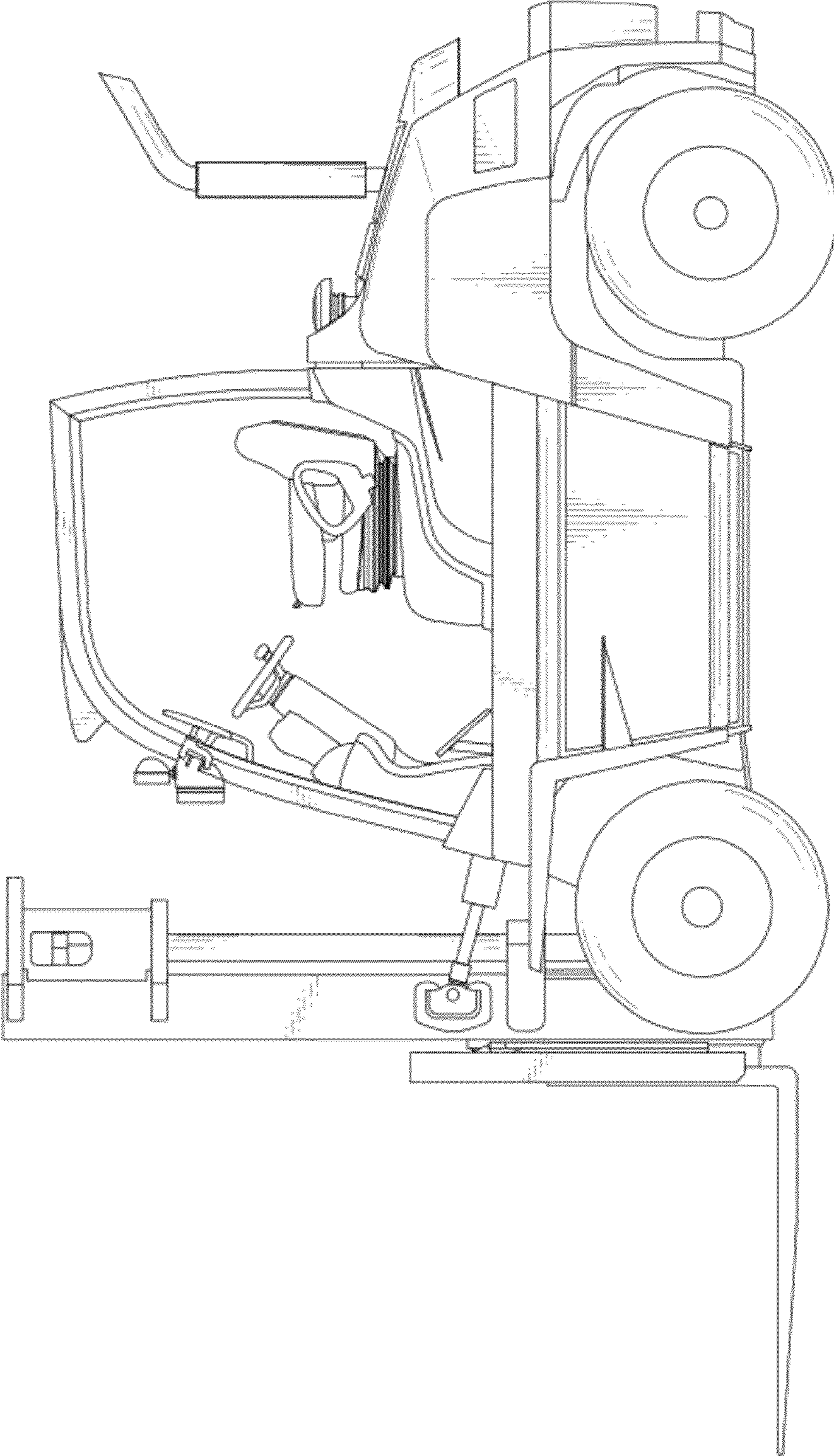


FIG. 3

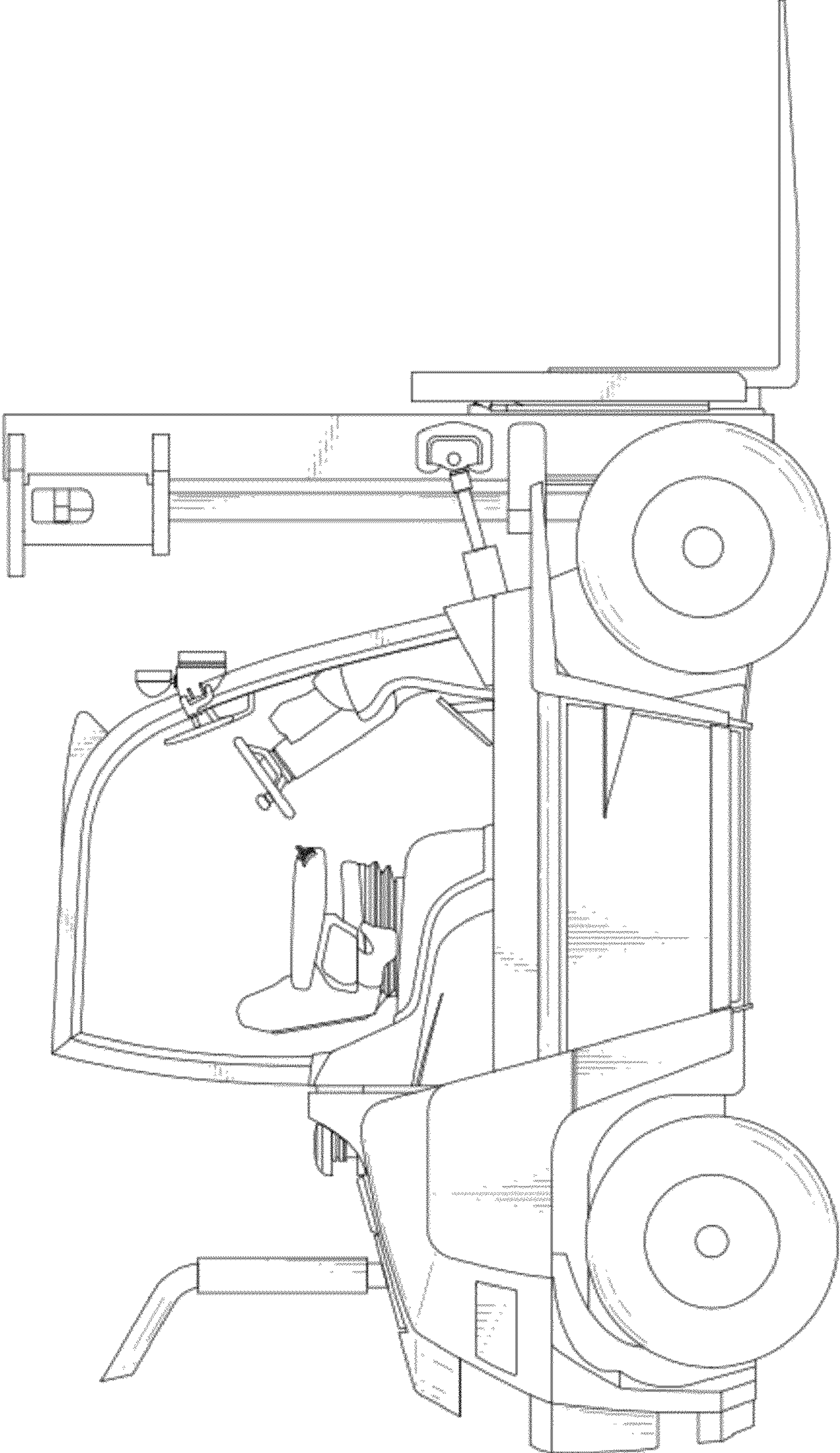


FIG. 4

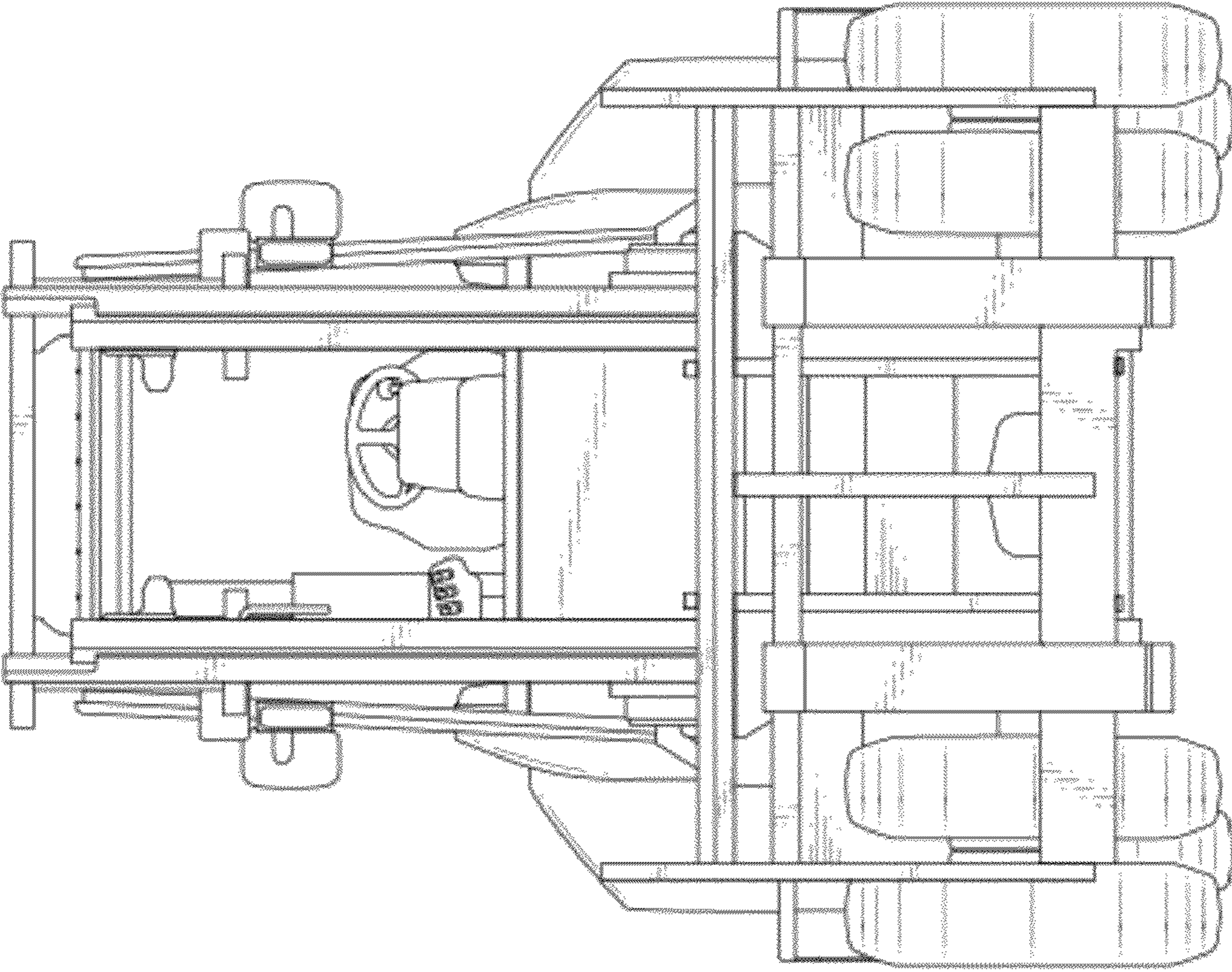


FIG. 5

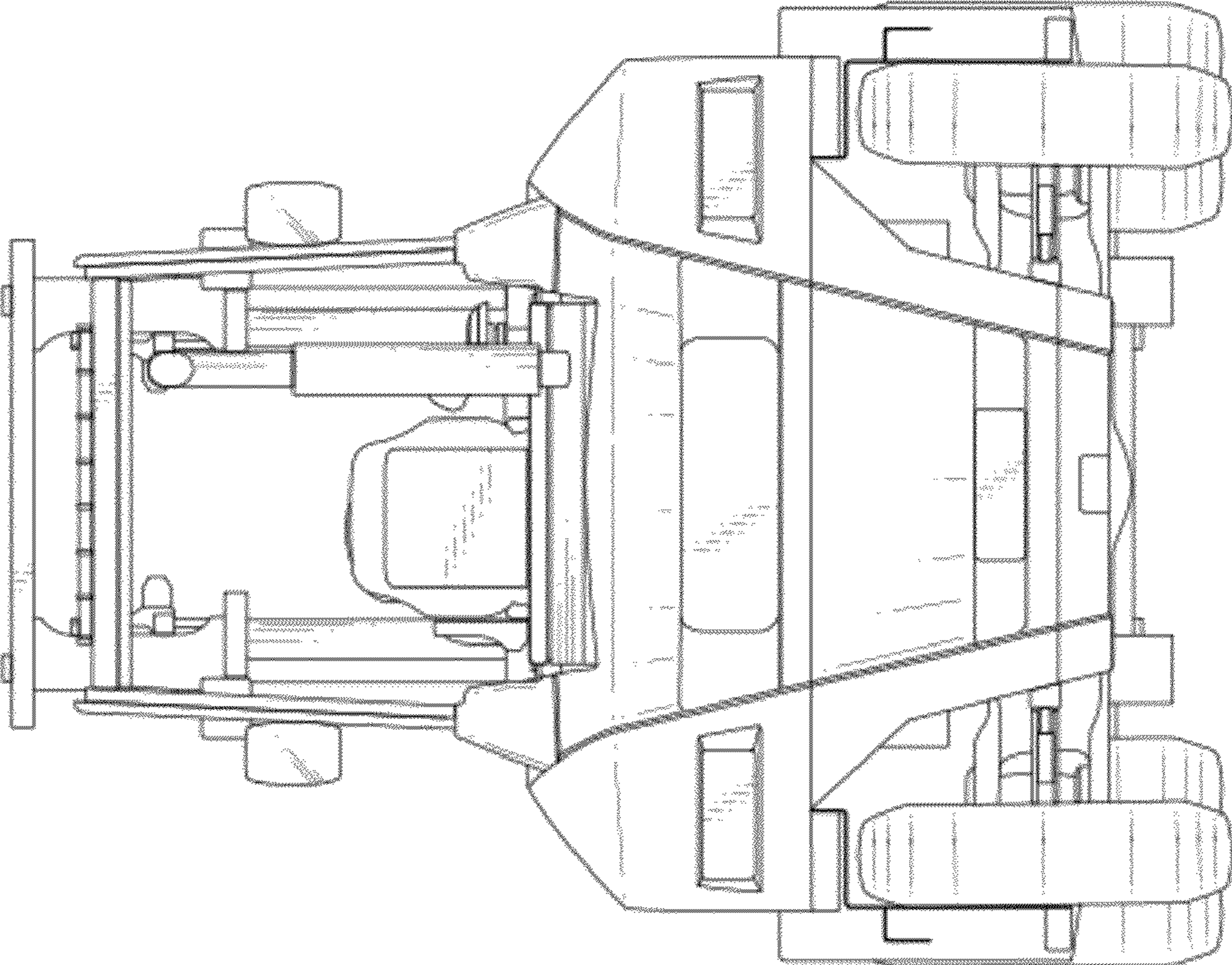


FIG. 6

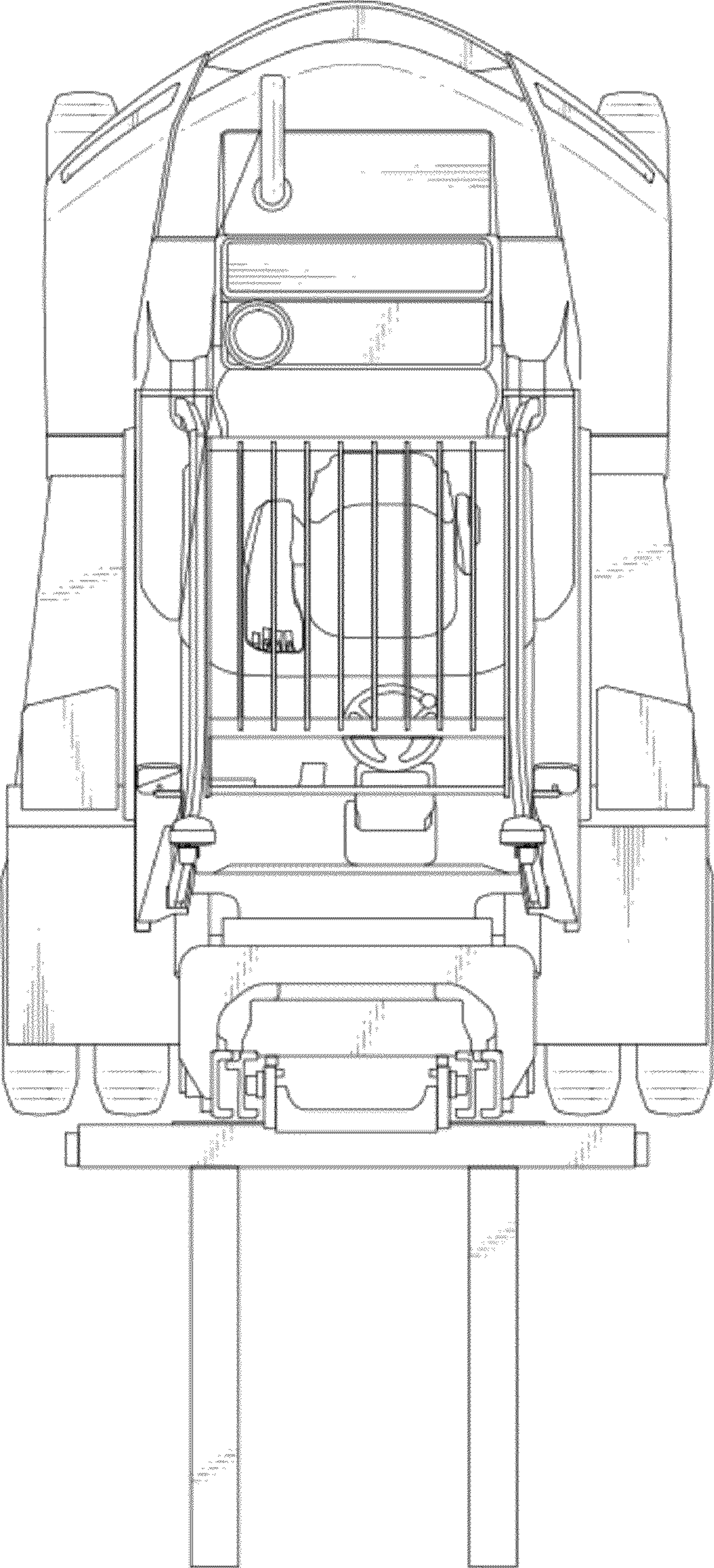


FIG. 7

