



US00D657110S

(12) **United States Design Patent**
Schlomann

(10) **Patent No.:** **US D657,110 S**

(45) **Date of Patent:** **** Apr. 3, 2012**

- (54) **BRAKE MAINTENANCE CART**
- (76) Inventor: **Brian K. Schlomann**, New Berlin, WI (US)
- (**) Term: **14 Years**
- (21) Appl. No.: **29/399,229**
- (22) Filed: **Aug. 10, 2011**
- (51) **LOC (9) Cl.** **12-02**
- (52) **U.S. Cl.** **D34/21**
- (58) **Field of Classification Search** D34/12-27; 280/79.3, 79.11, 79.2, 47.35, 47.34
See application file for complete search history.

| | | | | |
|--------------|------|---------|---------------------|-----------|
| 6,149,168 | A | 11/2000 | Pauser et al. | |
| 6,176,559 | B1 | 1/2001 | Tiramani et al. | |
| 6,264,220 | B1 | 7/2001 | Pierce et al. | |
| D446,376 | S * | 8/2001 | Vanderbyl | D34/24 |
| 6,398,235 | B1 | 6/2002 | Cary | |
| 6,688,634 | B2 | 2/2004 | Noffsinger | |
| 6,808,185 | B1 | 10/2004 | Brace | |
| 7,328,905 | B2 | 2/2008 | Guirlinger | |
| 7,648,147 | B2 | 1/2010 | Lauer et al. | |
| 7,857,329 | B2 * | 12/2010 | Cai | 280/47.35 |
| D636,550 | S * | 4/2011 | Molayem | D34/21 |
| 2006/0290087 | A1 * | 12/2006 | Visser | 280/79.11 |
| 2009/0166991 | A1 * | 7/2009 | Cai | 280/47.35 |
| 2010/0289236 | A1 * | 11/2010 | Bennett et al. | 280/79.11 |

* cited by examiner

Primary Examiner — Cynthia Ramirez

(74) *Attorney, Agent, or Firm* — QuickPatents, Inc.; Kevin Prince

(56) **References Cited**

U.S. PATENT DOCUMENTS

| | | | | |
|-----------|-----|---------|-------------------------|--------|
| D186,161 | S * | 9/1959 | Chervenka | D34/21 |
| D186,980 | S * | 1/1960 | Molitor | D34/17 |
| 2,964,328 | A | 12/1960 | Muir | |
| 4,119,044 | A | 10/1978 | Hines | |
| 4,579,560 | A | 4/1986 | Cargnino et al. | |
| 4,667,822 | A | 5/1987 | Coopmans | |
| D301,652 | S * | 6/1989 | Roberts | D34/21 |
| D301,790 | S * | 6/1989 | Ivano | D34/21 |
| 5,013,055 | A | 5/1991 | Labrum | |
| 5,213,351 | A | 5/1993 | Chen | |
| 5,224,531 | A | 7/1993 | Blohm | |
| 5,452,908 | A | 9/1995 | Bencic | |
| 5,642,898 | A | 7/1997 | Wise | |
| 5,799,958 | A | 9/1998 | Bishop | |
| 5,853,180 | A | 12/1998 | Taylor | |
| D408,606 | S | 4/1999 | Hurt | |
| 5,893,572 | A | 4/1999 | Parks | |
| 5,906,381 | A | 5/1999 | Hovatter | |
| 6,036,203 | A | 3/2000 | Tyus et al. | |
| D425,280 | S * | 5/2000 | vom Braucke et al. | D34/21 |

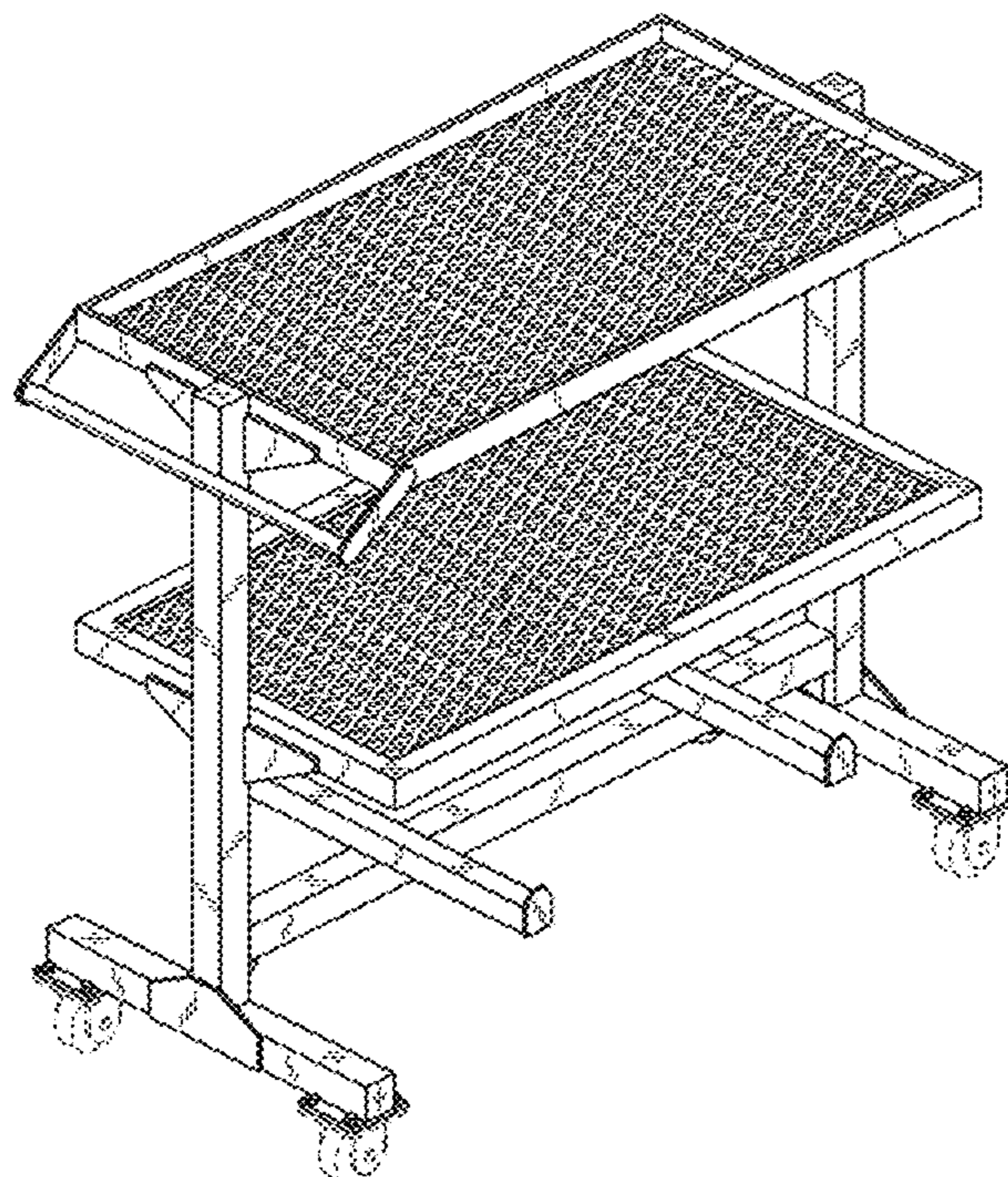
(57) **CLAIM**

I claim the ornamental design for a brake maintenance cart, as shown and described.

DESCRIPTION

FIG. 1 is a perspective view of a brake maintenance cart, showing my new design;
 FIG. 2 is a right-side elevational view thereof, the left-side elevational view being a mirror image thereof;
 FIG. 3 is a rear elevational view thereof;
 FIG. 4 is a front elevational view thereof;
 FIG. 5 is a top plan view thereof; and,
 FIG. 6 is a bottom plan view thereof.
 The broken lines showing casters in the figures depict environmental matter and form no part of the claimed design.

1 Claim, 3 Drawing Sheets



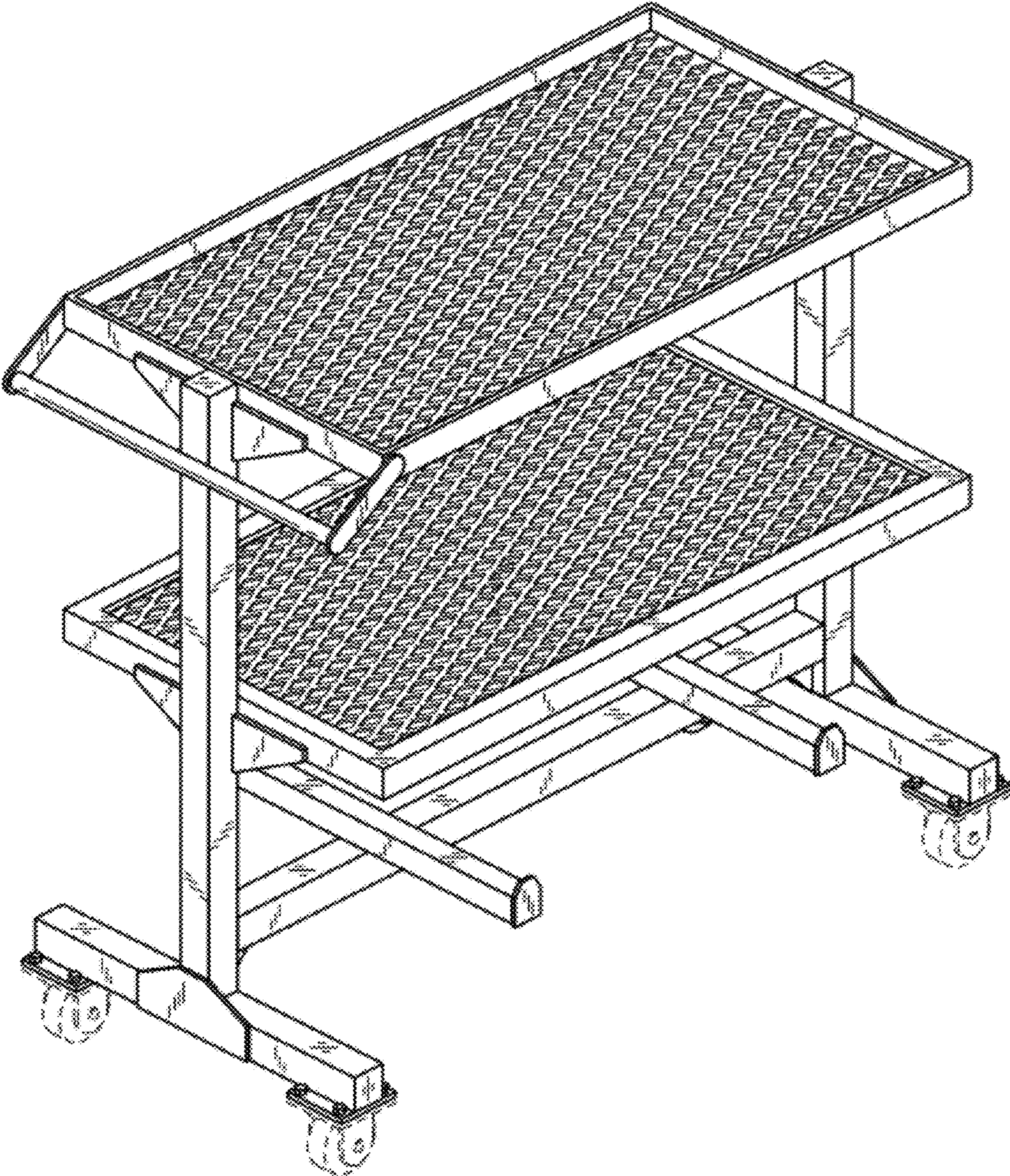


FIG. 1

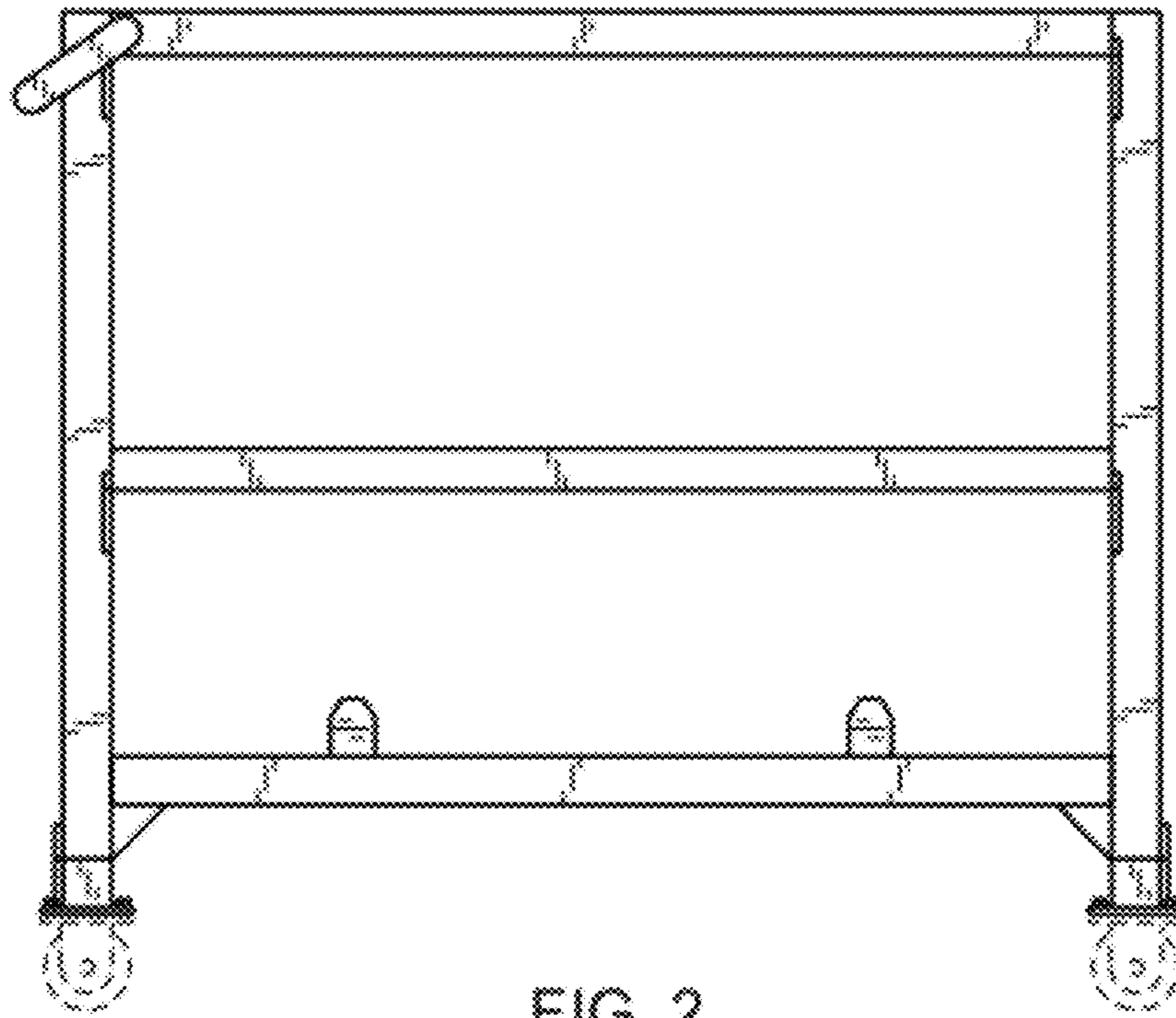


FIG. 2

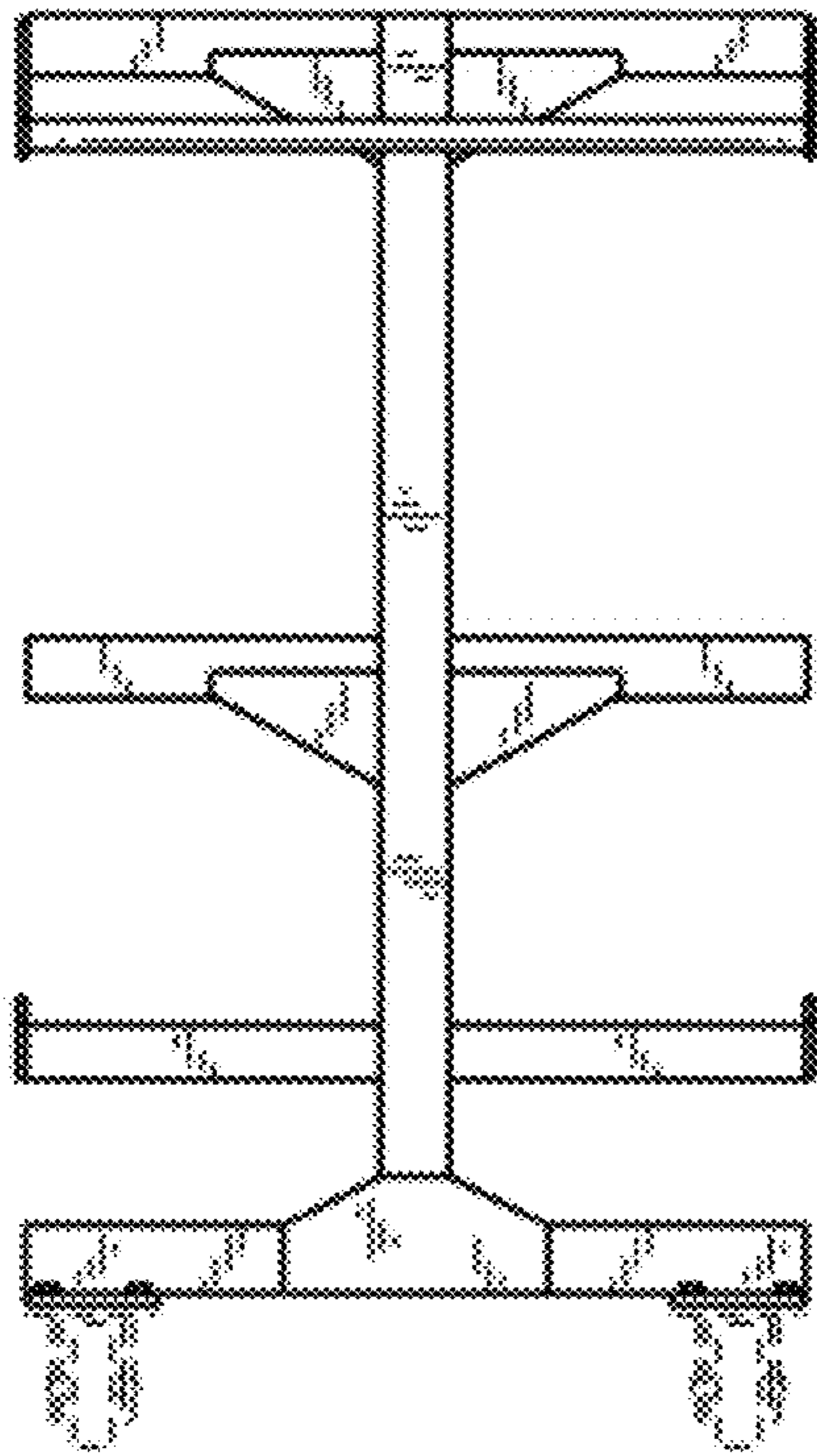


FIG. 3

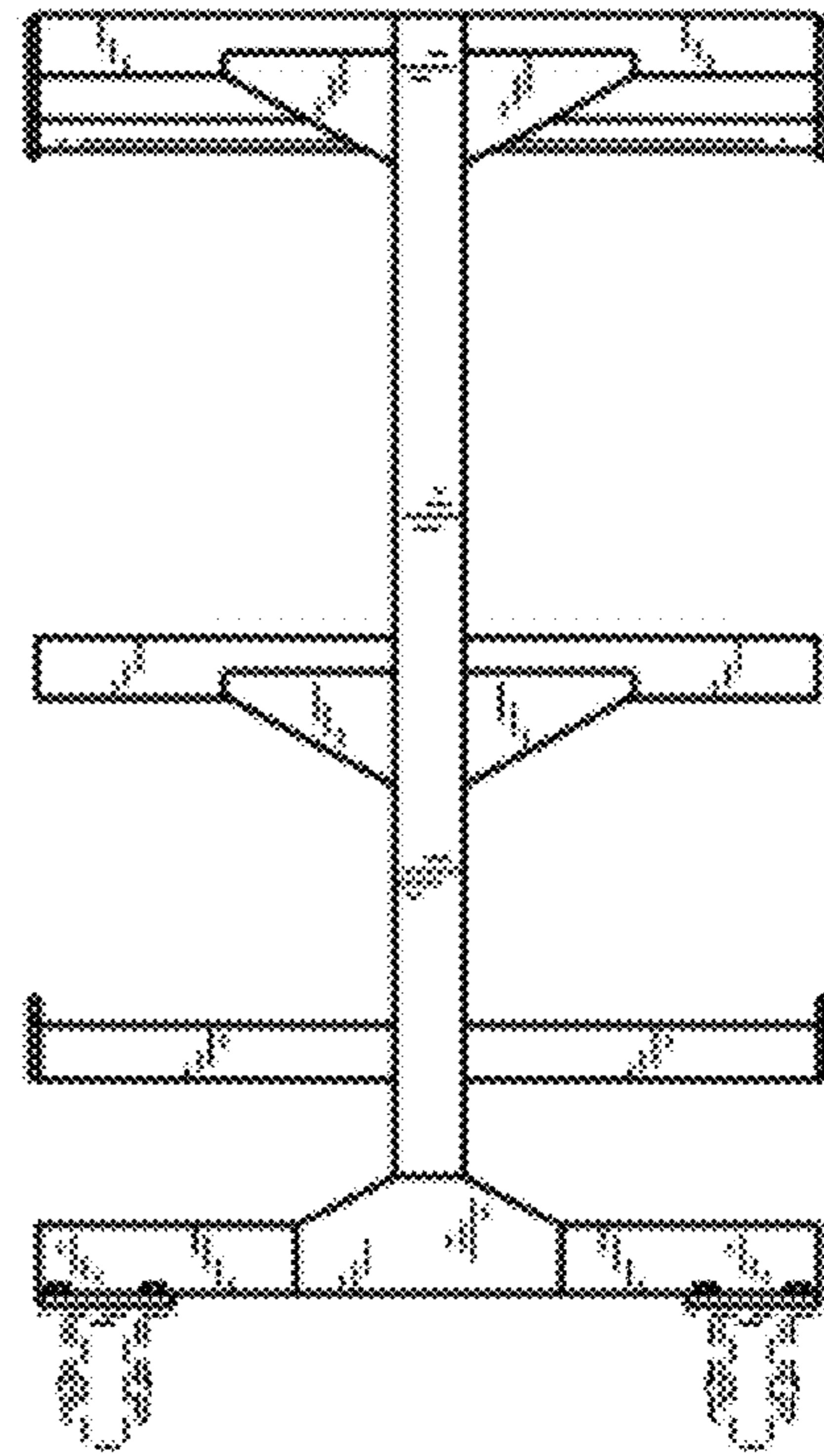


FIG. 4

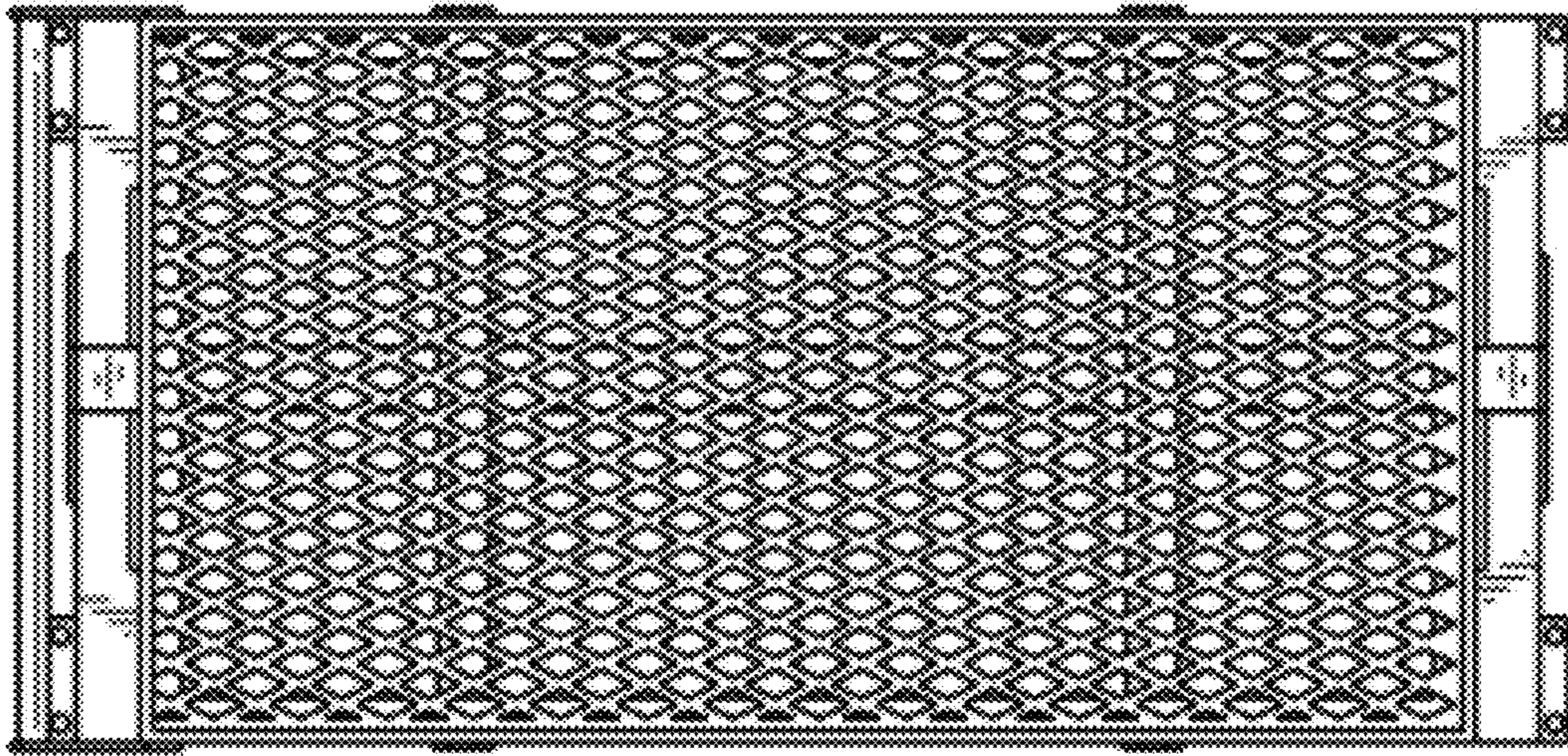


FIG. 5

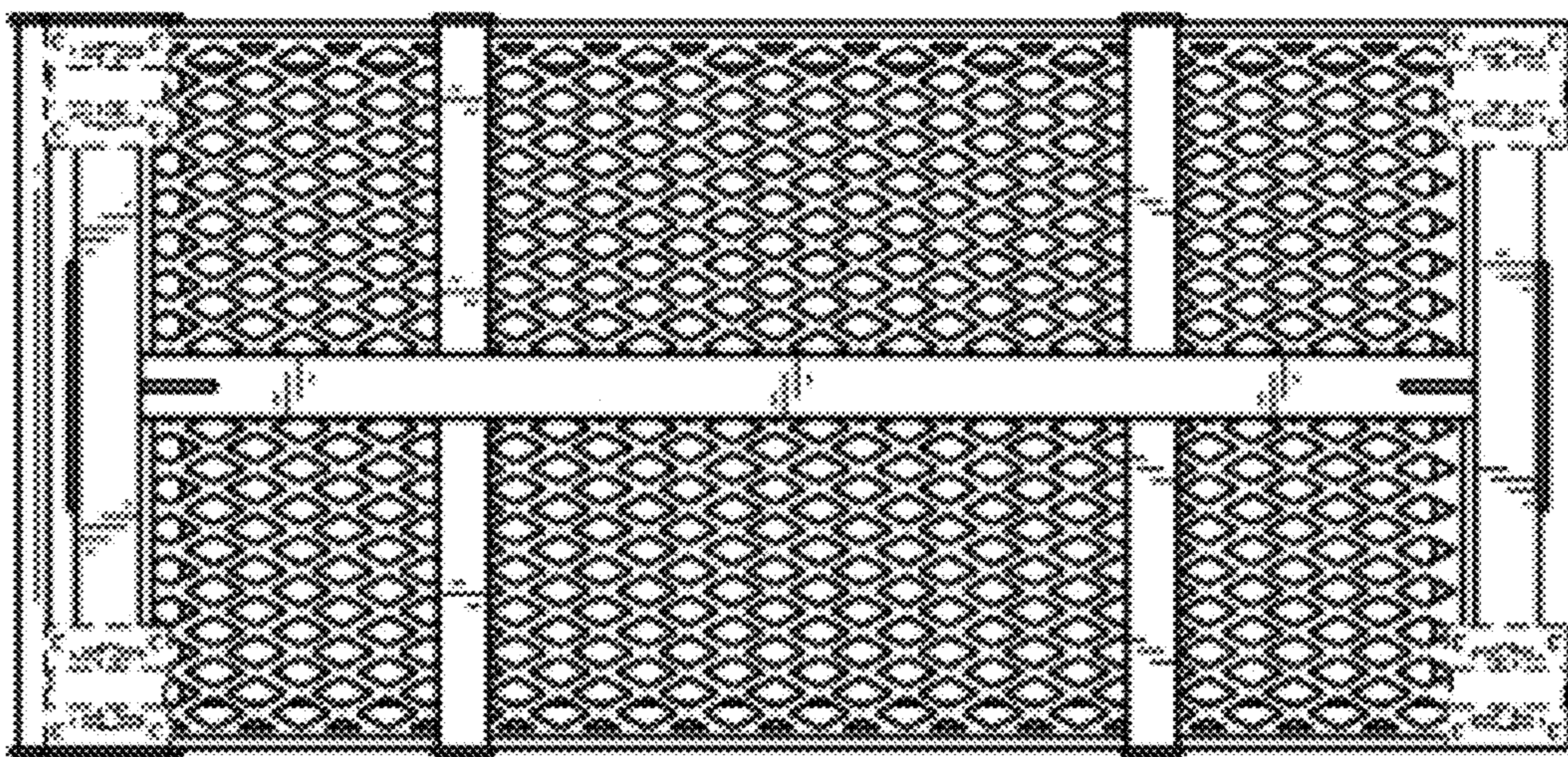


FIG. 6