



US00D657109S

(12) **United States Design Patent**  
**Liao**

(10) **Patent No.:** **US D657,109 S**

(45) **Date of Patent:** **\*\* Apr. 3, 2012**

(54) **TRASH CAN**

(75) Inventor: **Henry Liao**, Guangdong Province (CN)

(73) Assignee: **Jiangmen Foreign Trade Group Co., Ltd.**, Guangdong (CN)

(\*\*) Term: **14 Years**

(21) Appl. No.: **29/394,826**

(22) Filed: **Jun. 22, 2011**

(51) **LOC (9) Cl.** ..... **09-09**

(52) **U.S. Cl.** ..... **D34/9**

(58) **Field of Classification Search** ..... D34/1-11;  
220/908, 908.1, 262, 263, 264

See application file for complete search history.

(56) **References Cited**

**U.S. PATENT DOCUMENTS**

5,242,074 A \* 9/1993 Conaway et al. .... 220/840  
D538,000 S \* 3/2007 Lin ..... D34/9

D595,468 S \* 6/2009 Liao ..... D34/9  
D603,119 S \* 10/2009 Yang et al. .... D34/7  
D631,221 S \* 1/2011 Yang et al. .... D34/9  
D636,960 S \* 4/2011 Duvigneau ..... D34/7  
D641,118 S \* 7/2011 Rampton et al. .... D34/1  
D641,119 S \* 7/2011 Rampton et al. .... D34/1

\* cited by examiner

*Primary Examiner* — Cynthia Ramirez

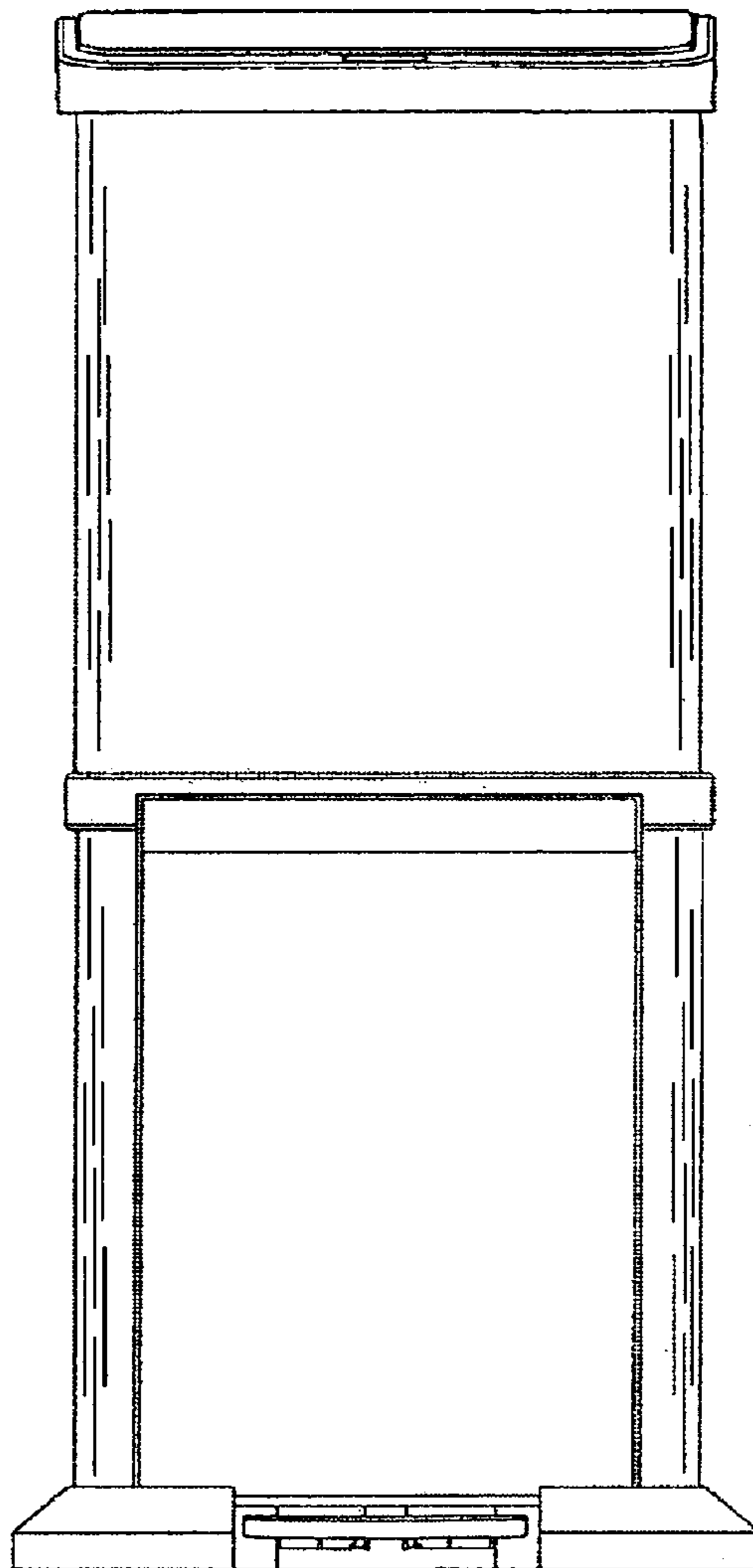
(57) **CLAIM**

The ornamental design for a trash can, as shown.

**DESCRIPTION**

FIG. 1 is a front elevational view of a trash can showing my new design;  
FIG. 2 is a left side view thereof;  
FIG. 3 is a right side view thereof;  
FIG. 4 is a top plan view thereof; and,  
FIG. 5 is a perspective view thereof.

**1 Claim, 5 Drawing Sheets**



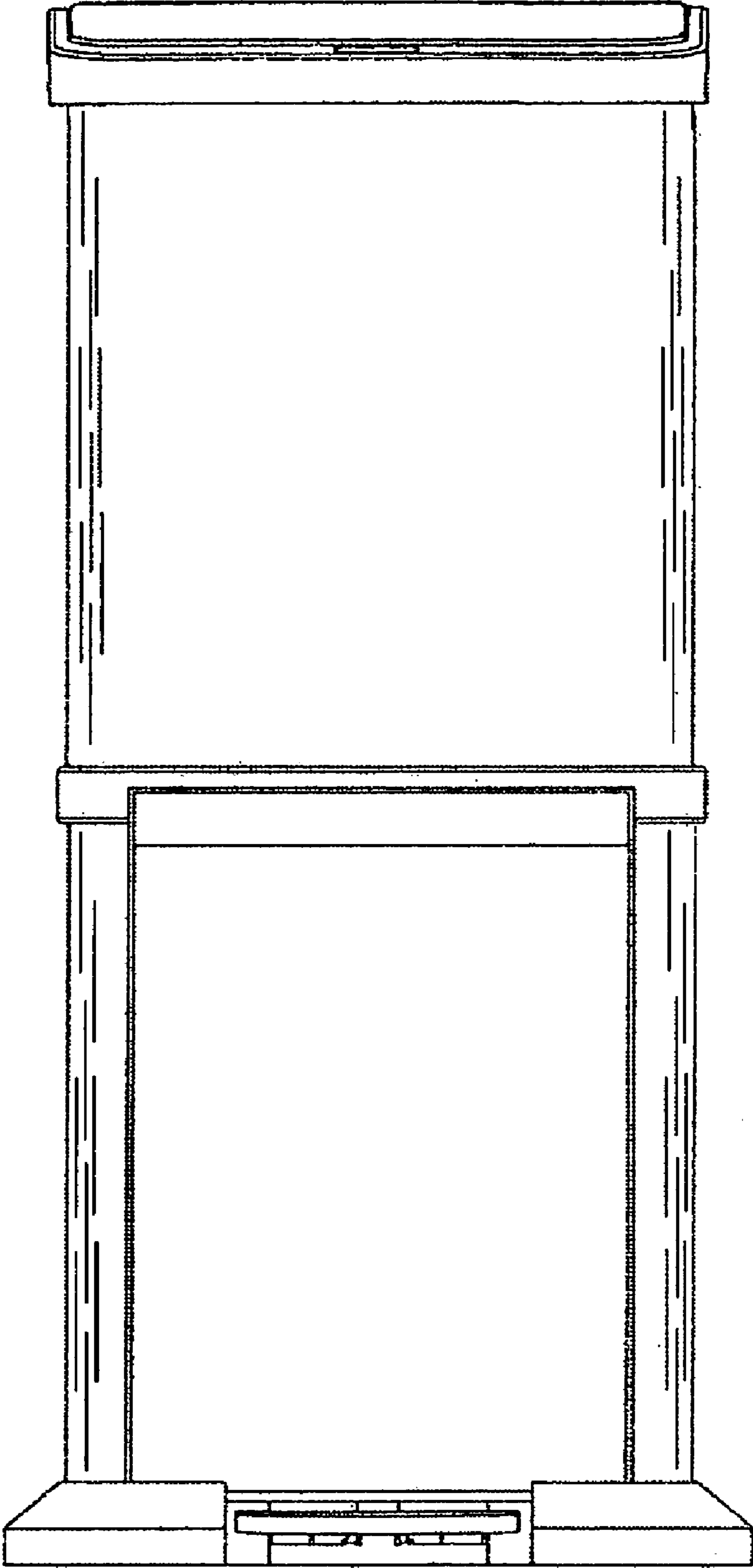


FIG. 1

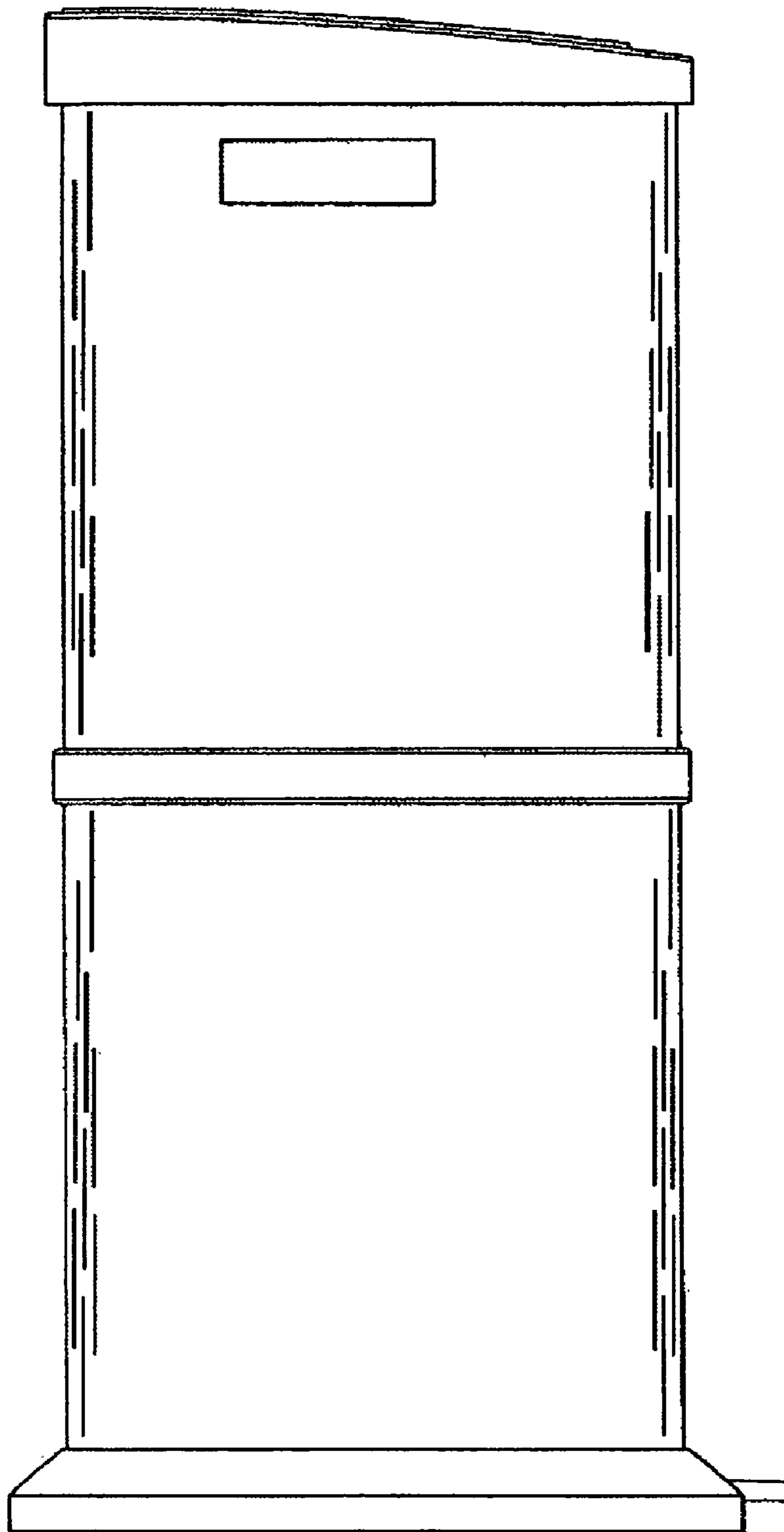


FIG. 2

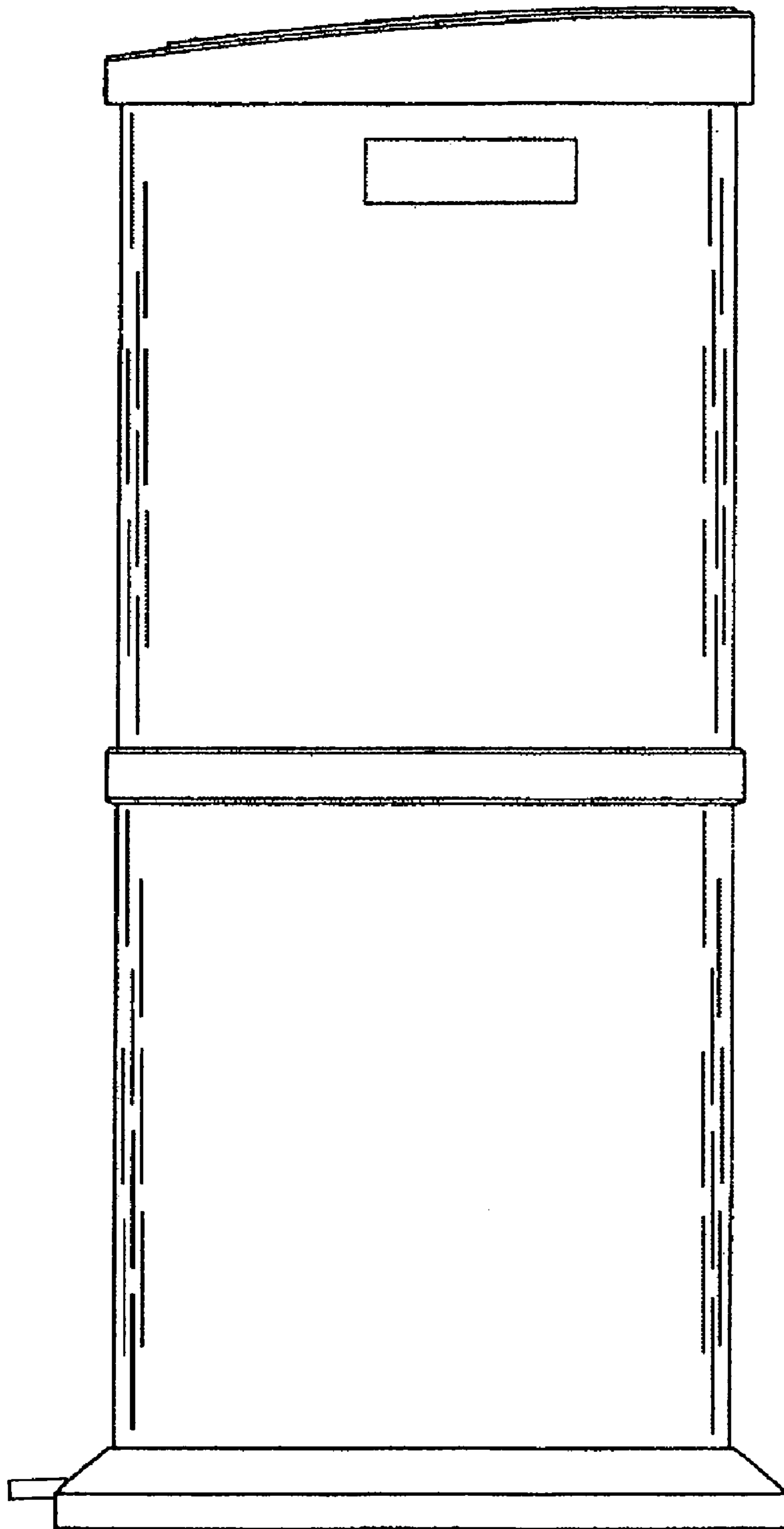


FIG. 3

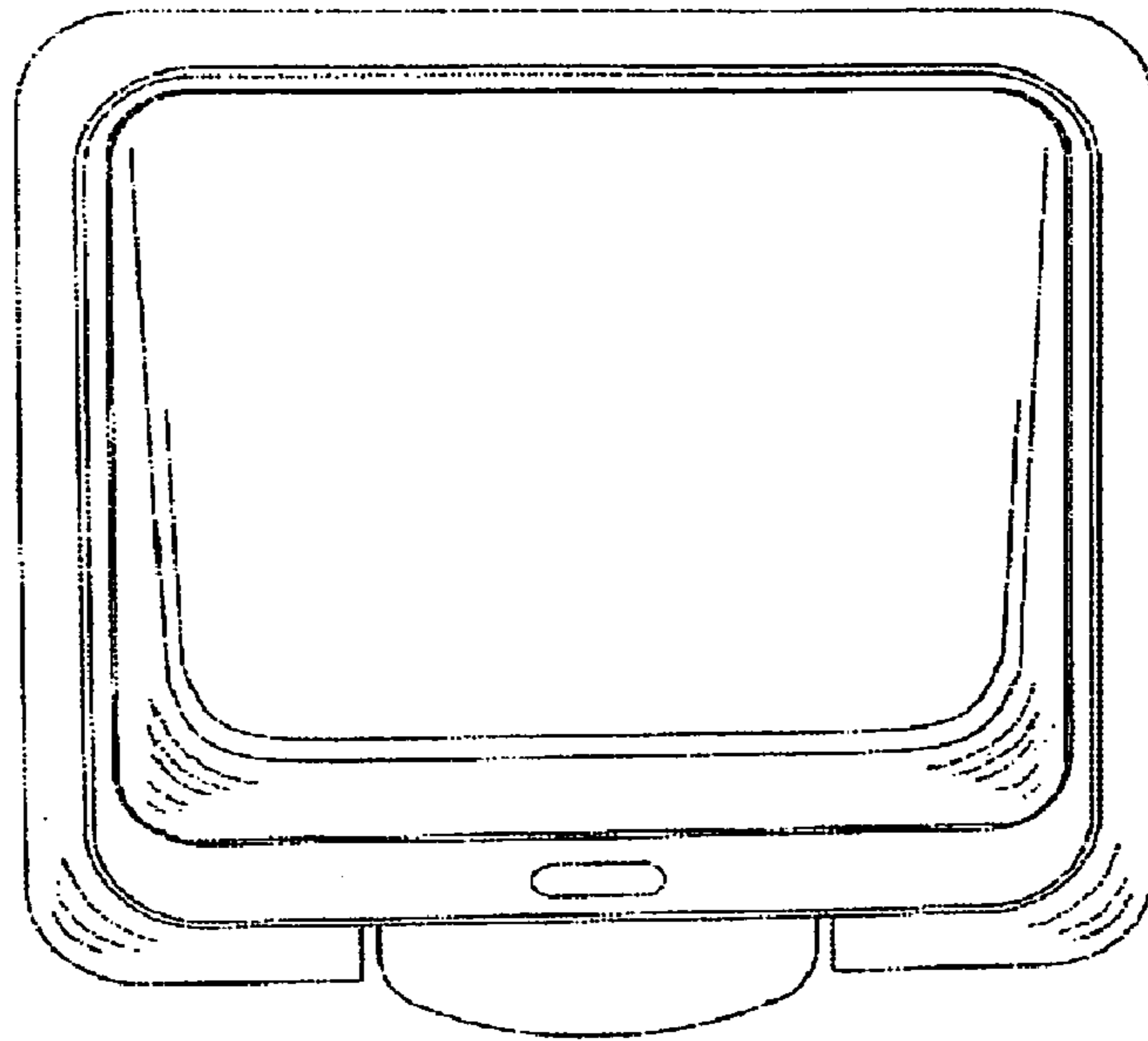


FIG. 4

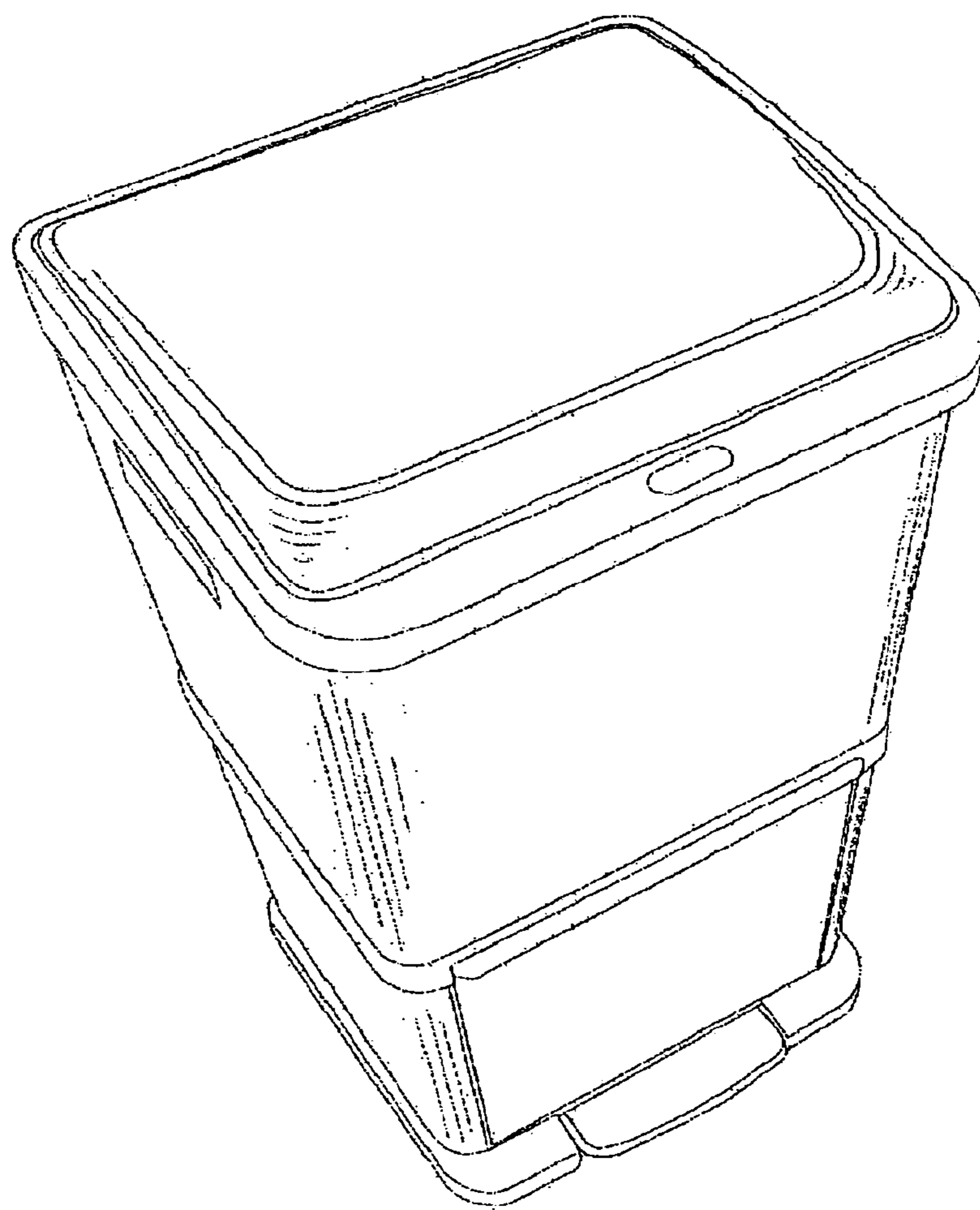


FIG. 5