



US00D657104S

(12) **United States Design Patent**
Levin et al.

(10) **Patent No.:** **US D657,104 S**
(45) **Date of Patent:** **** Apr. 3, 2012**

(54) **CAP BRIM CURVING, STORING AND WASHING DEVICE**

(76) Inventors: **Gregg M. Levin**, Boston, MA (US);
Guang Yu Gao, Malden, MA (US)

(**) Term: **14 Years**

(21) Appl. No.: **29/373,083**

(22) Filed: **Feb. 28, 2011**

(51) **LOC (9) Cl.** **07-05**

(52) **U.S. Cl.** **D32/59**

(58) **Field of Classification Search** D32/59;
D6/411, 315; D2/892, 181.4, 891; 2/181,
2/171.3, 175.1, 209.12, 195.5; 34/87, 213,
34/201

See application file for complete search history.

(56) **References Cited**

U.S. PATENT DOCUMENTS

1,899,636	A *	2/1933	Raulerson	2/175.4
5,181,277	A *	1/1993	Sherman	2/181.4
D360,291	S *	7/1995	McKinley	D2/892
5,481,760	A *	1/1996	Wood, Jr.	2/195.5
5,533,652	A *	7/1996	Levin	223/84
5,548,846	A *	8/1996	Bianchetti	2/209.12
5,908,146	A *	6/1999	Levin	223/84
D426,723	S *	6/2000	Waugh	D6/411
6,125,997	A *	10/2000	Campbell	206/8
6,237,155	B1 *	5/2001	Seegar	2/175.1

6,648,189	B1 *	11/2003	Minton et al.	223/24
6,810,532	B2 *	11/2004	Wang Lee	2/171.3
7,020,900	B2 *	4/2006	Ngan	2/181

* cited by examiner

Primary Examiner — Austin Murphy

(74) *Attorney, Agent, or Firm* — William Nitkin

(57) **CLAIM**

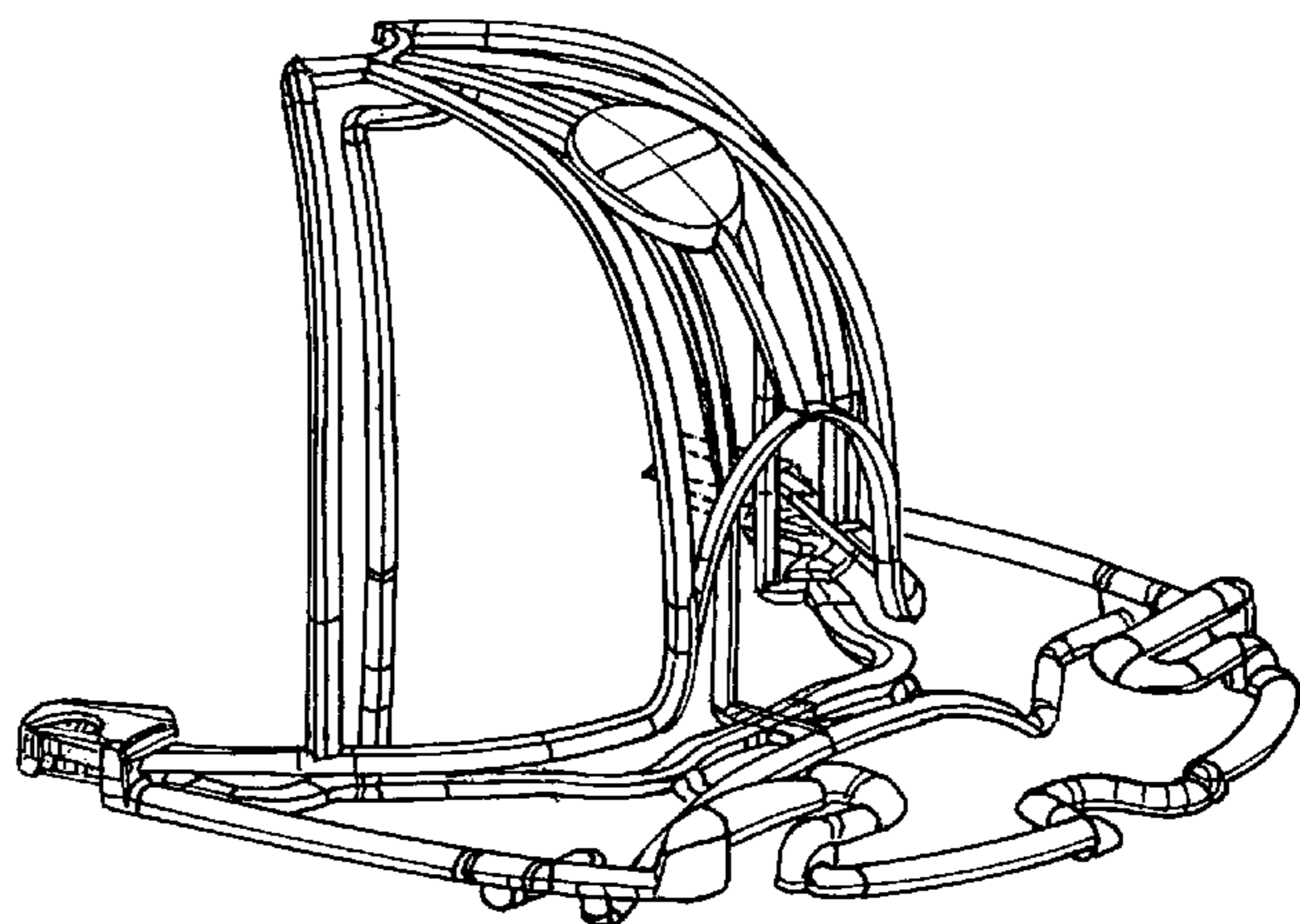
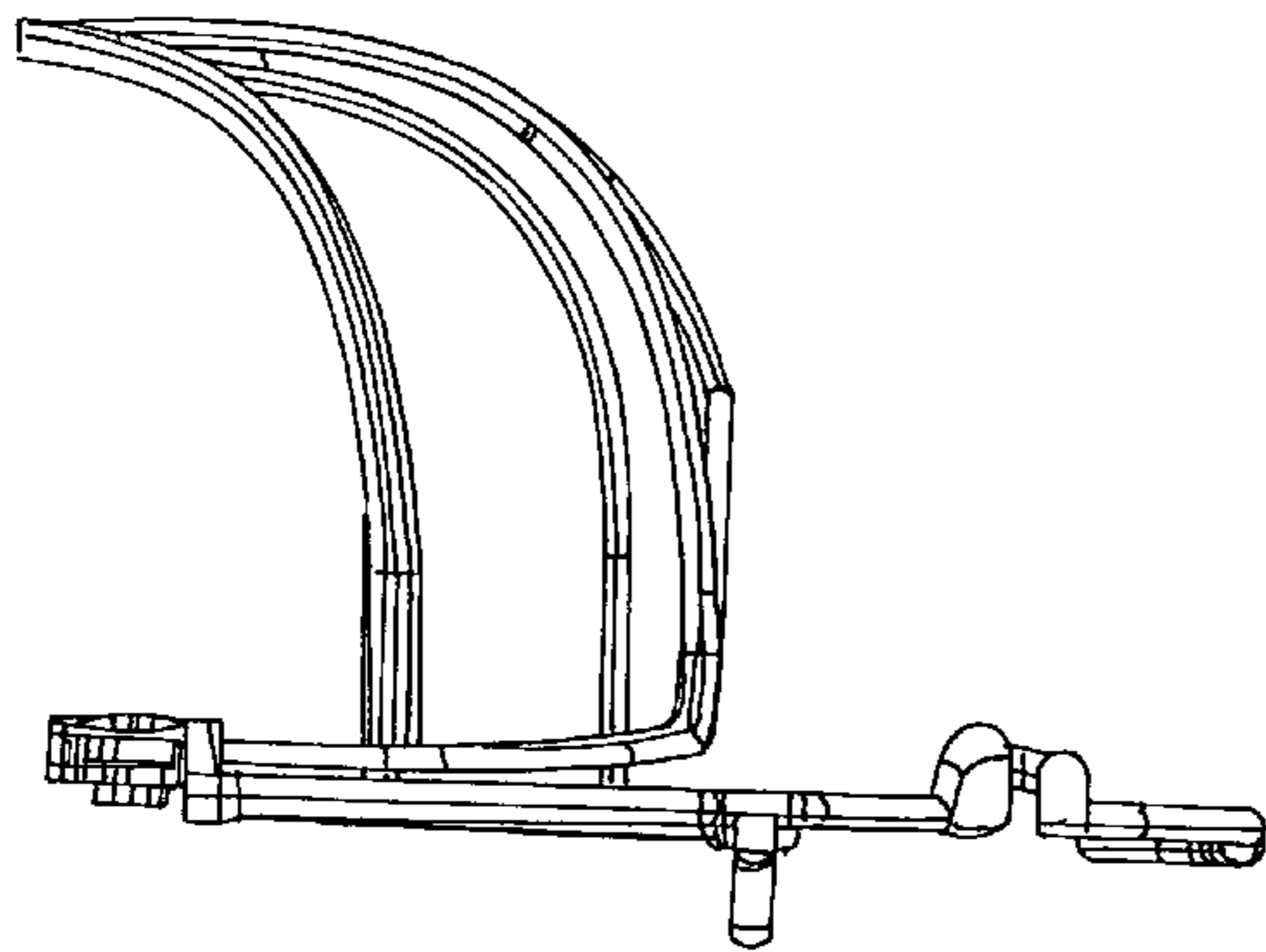
The ornamental design for a cap brim curving, storing and washing device, as shown and described.

DESCRIPTION

FIG. 1 is a front elevational view of a cap brim curving, storing and washing device showing our new design with areas in dashed lines not claimed as part of the invention; FIG. 2 is a rear elevational view thereof with areas in dashed lines not claimed as part of the invention; FIG. 3 is a right side elevational view thereof with areas in dashed lines not claimed as part of the invention; FIG. 4 is a left side elevational view thereof; FIG. 5 is a top plan view thereof with areas in dashed lines not claimed as part of the invention; FIG. 6 is a bottom plan view thereof; and, FIG. 7 is a perspective view thereof with areas in dashed lines not claimed as part of the invention.

The broken lines shown in the drawings represent portions of the cap brim curving, storing and washing device that form no part of the claimed design.

1 Claim, 5 Drawing Sheets



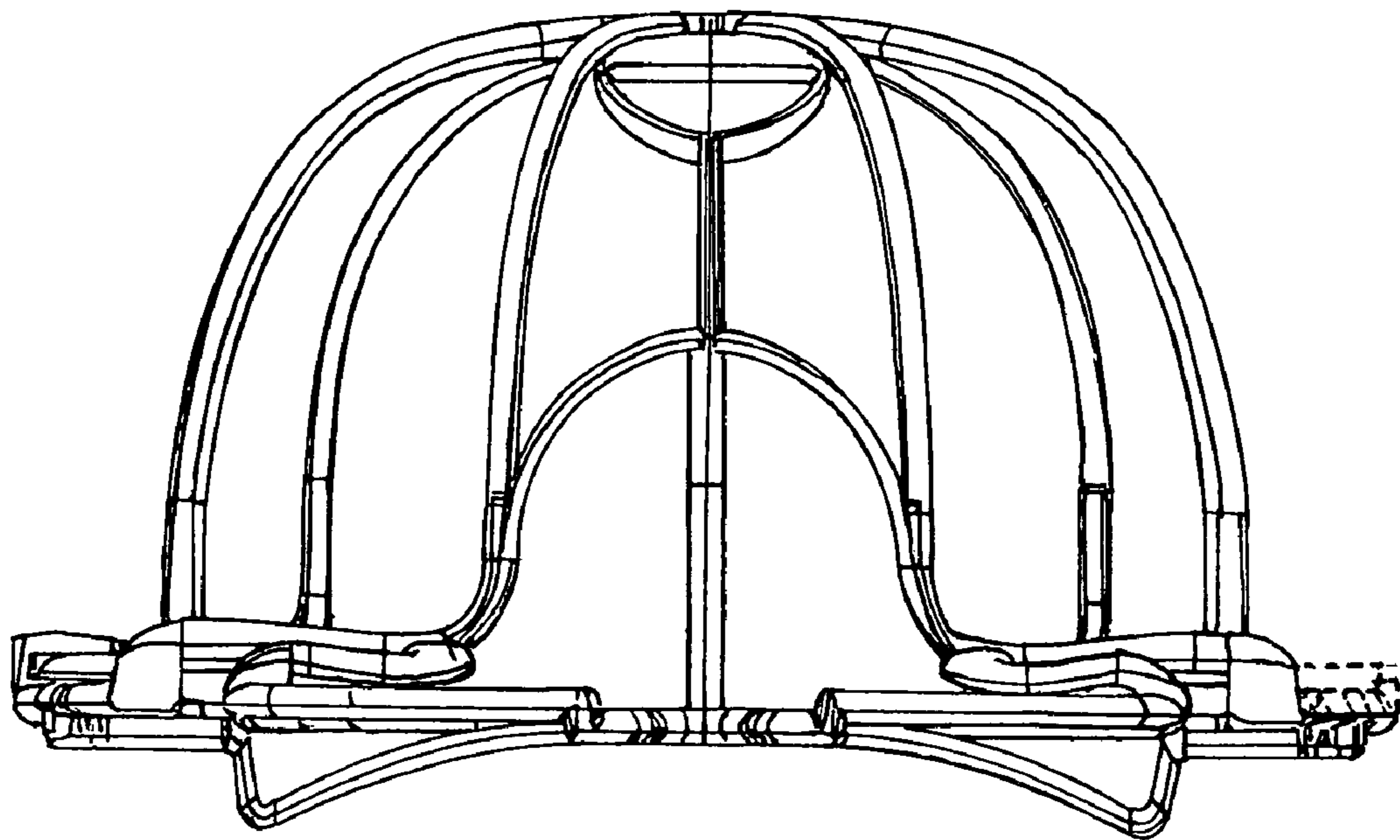


FIG. 1

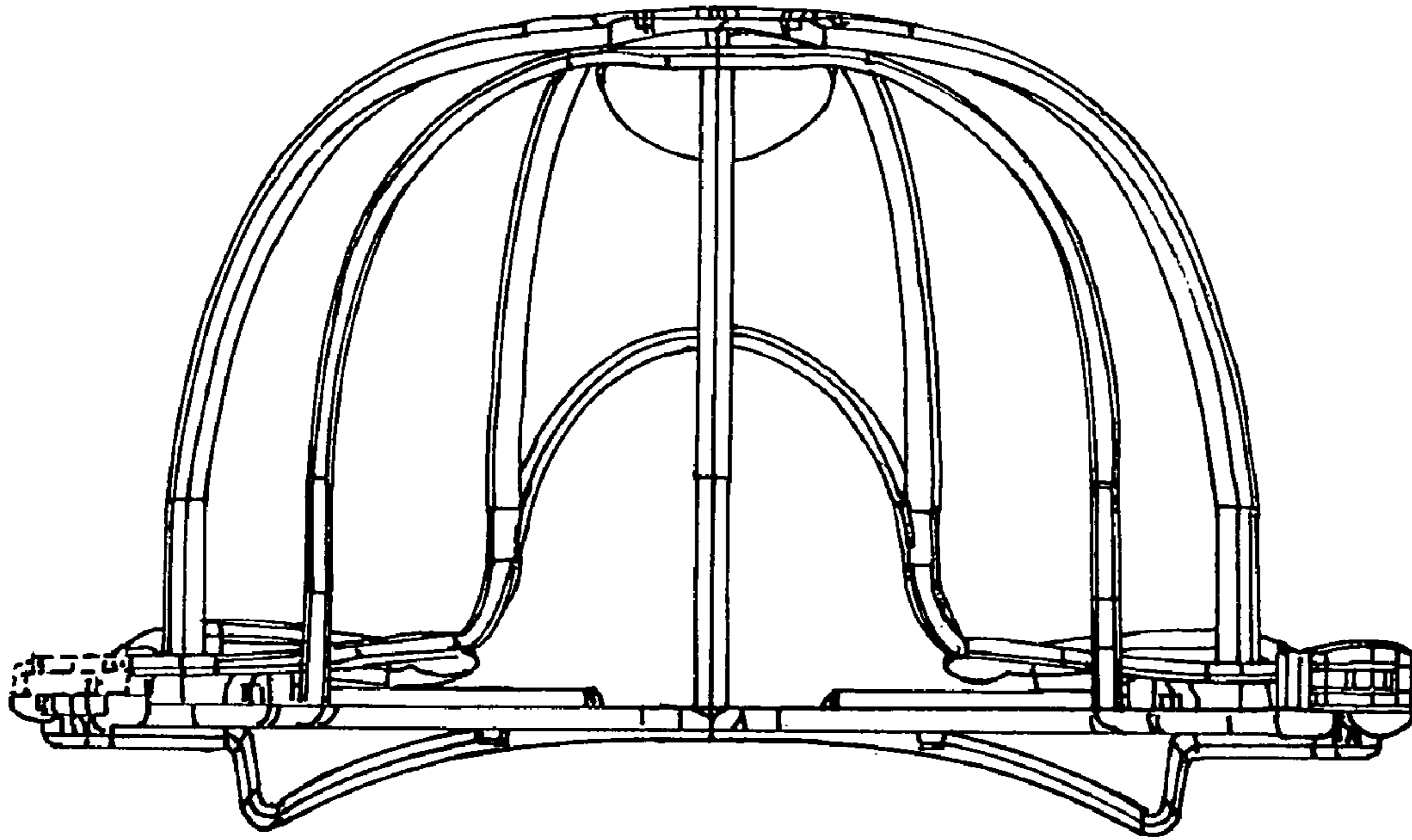


FIG. 2

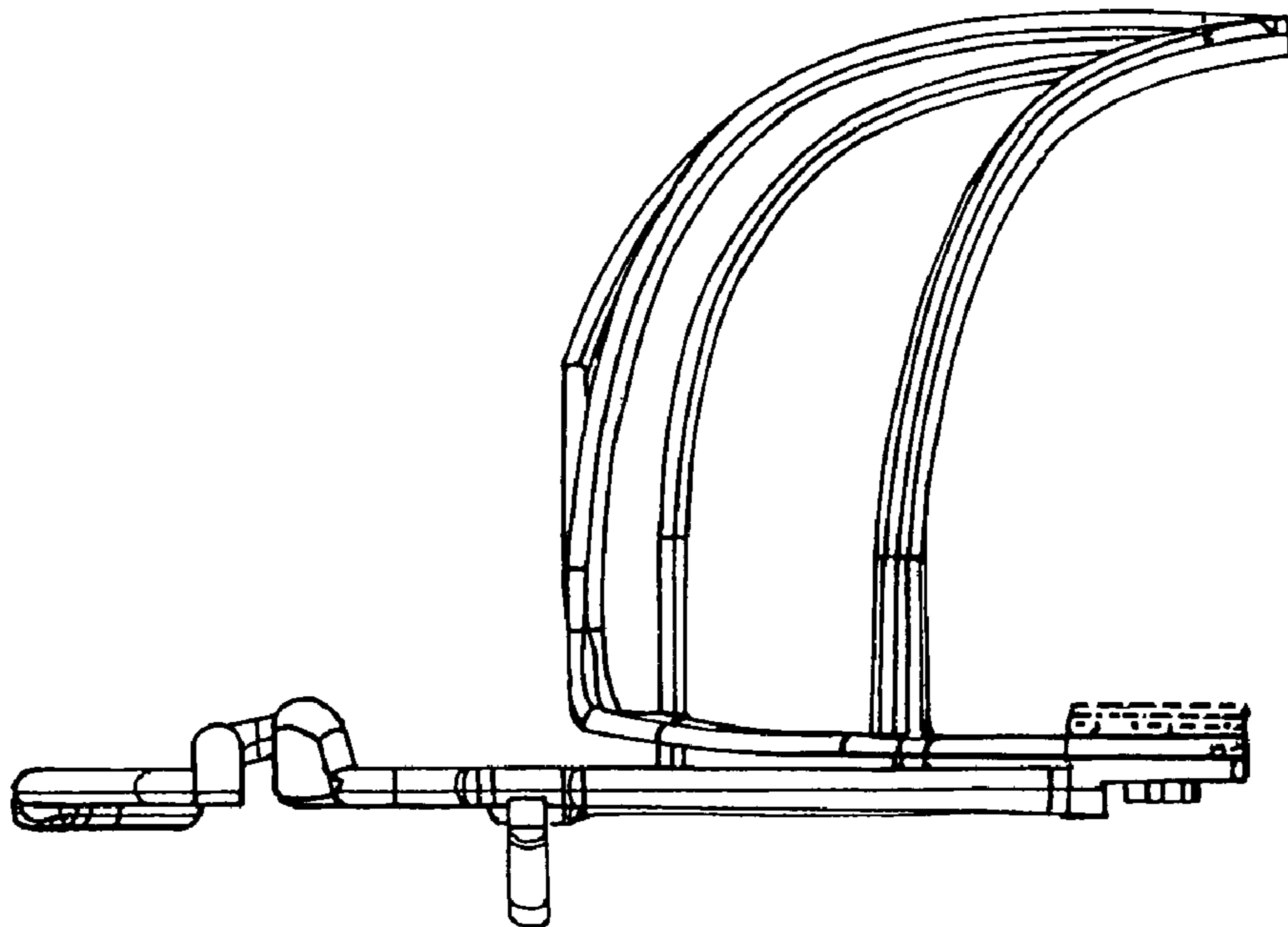


FIG. 3

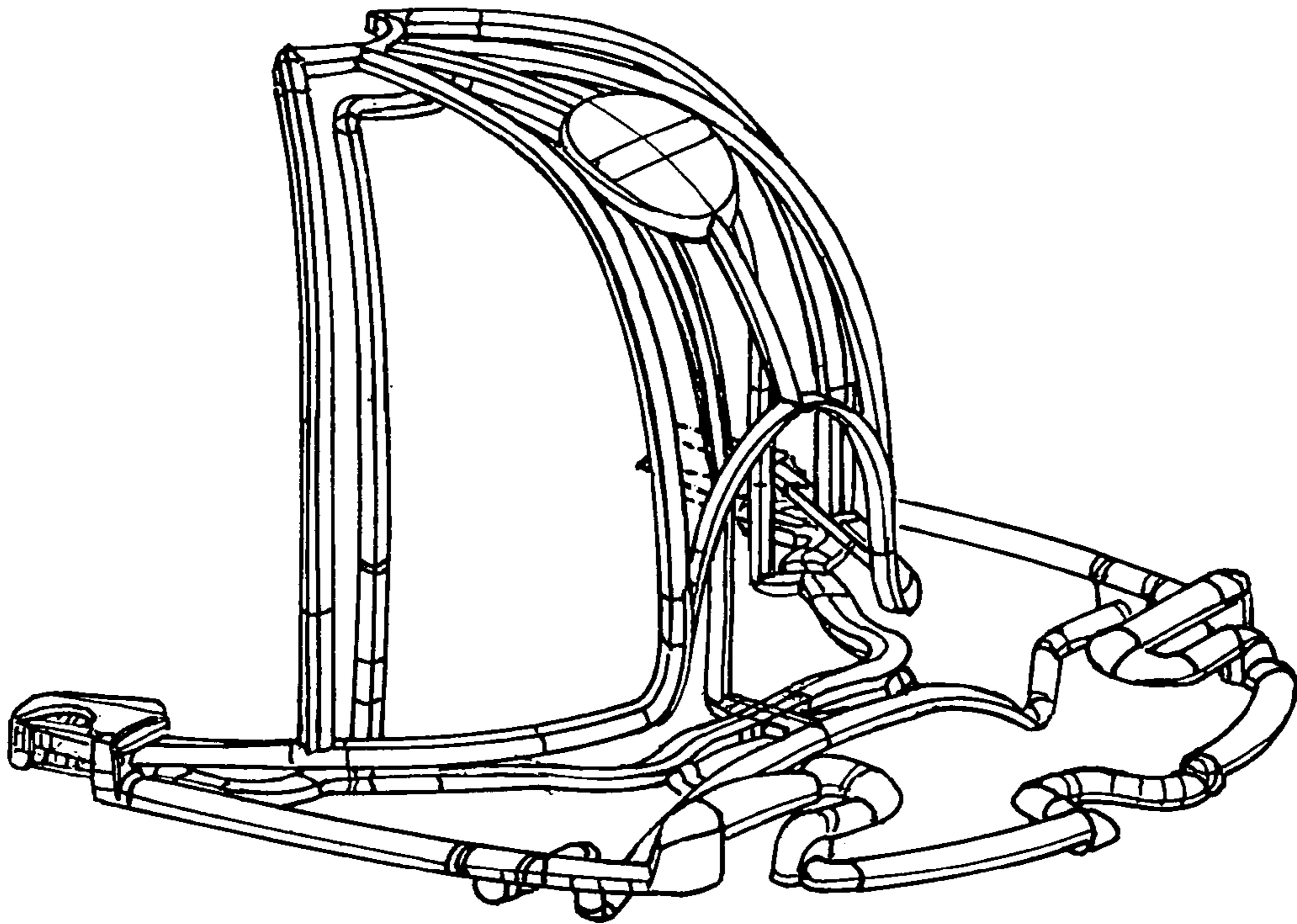


FIG. 7

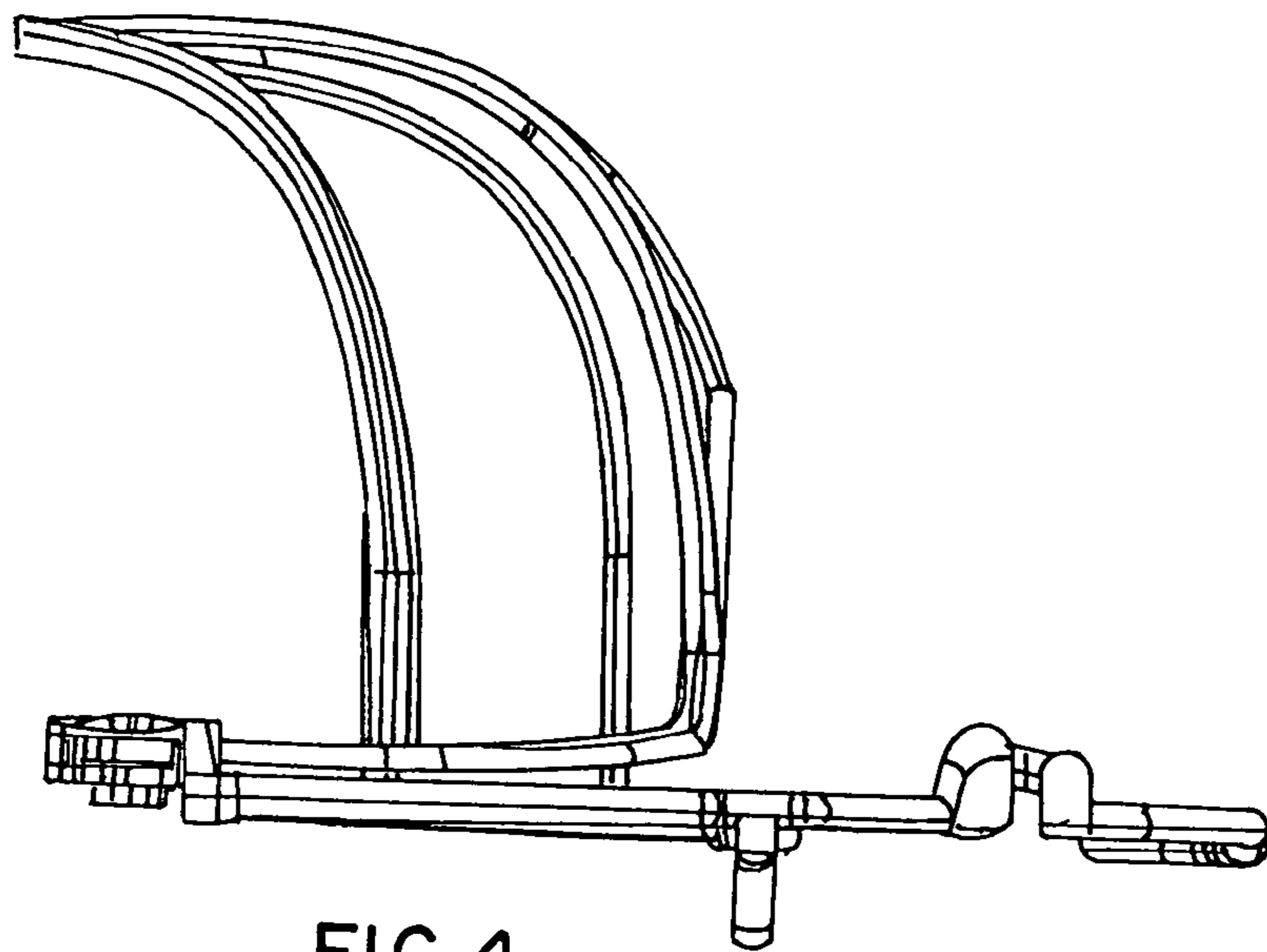


FIG. 4

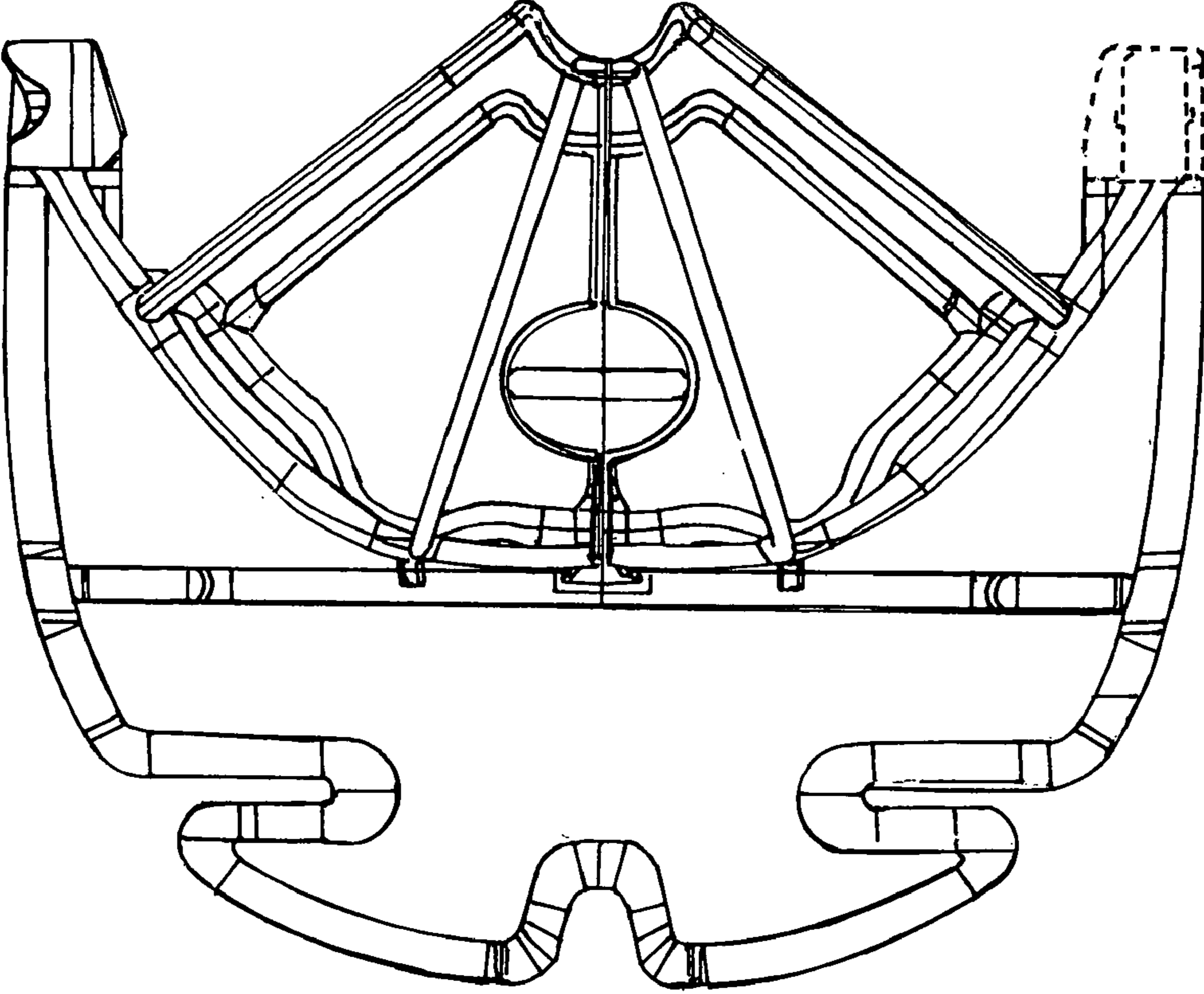


FIG. 5

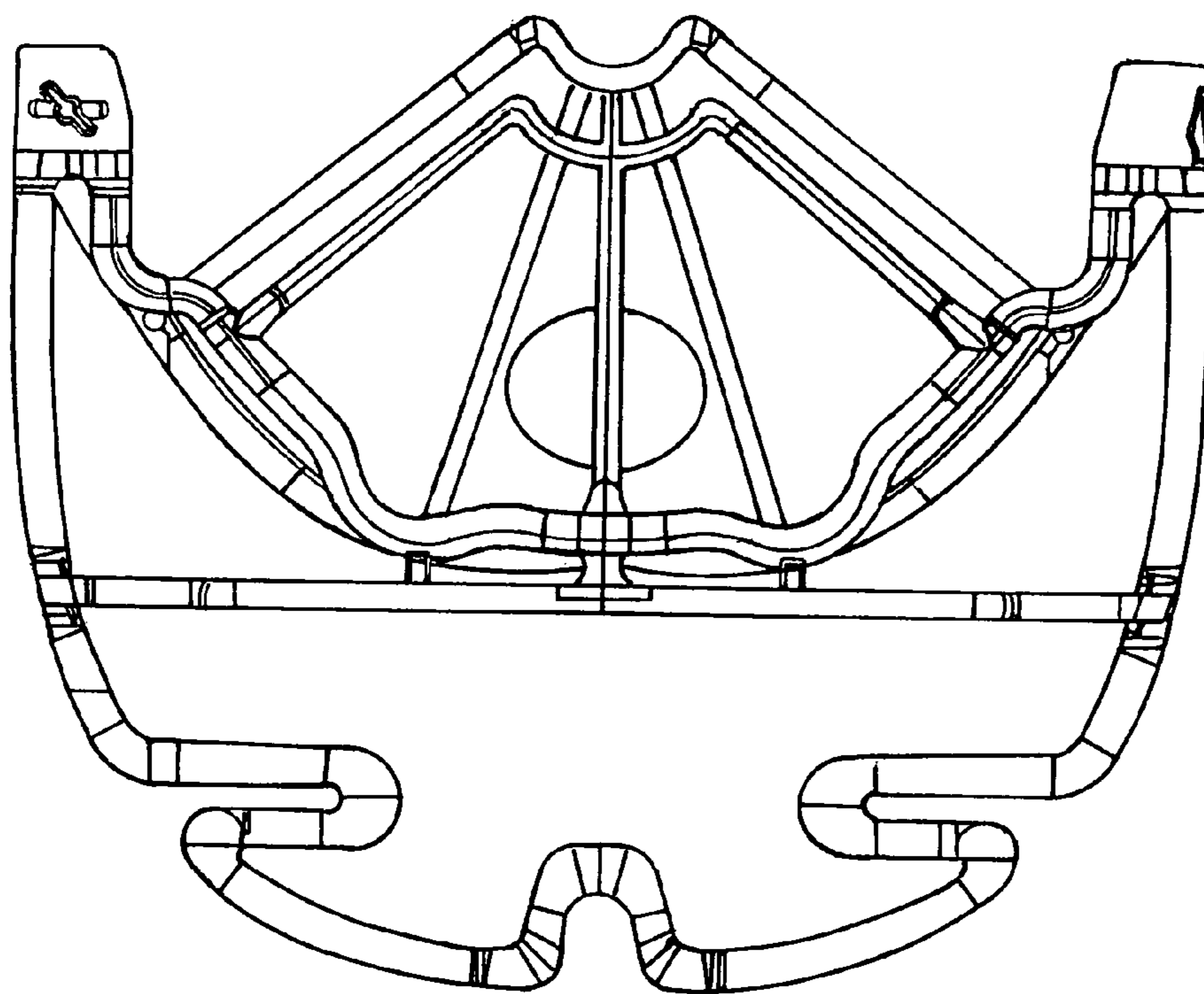


FIG. 6