

US00D657102S

(12) **United States Design Patent**
Kaleta et al.

(10) **Patent No.:** **US D657,102 S**
(45) **Date of Patent:** **** Apr. 3, 2012**

(54) **FLOOR SWEEPER WITH CLOTH CLEANING PAD**

(76) Inventors: **Bryan Kaleta**, Darien, IL (US); **Mark Kaleta**, Chicago, IL (US)

(**) Term: **14 Years**

(21) Appl. No.: **29/348,813**

(22) Filed: **Feb. 13, 2010**

Related U.S. Application Data

(62) Division of application No. 11/904,236, filed on Sep. 26, 2007.

(51) **LOC (9) Cl.** **15-05**

(52) **U.S. Cl.** **D32/38**

(58) **Field of Classification Search** D32/50,
D32/51, 38-45, 21, 22, 32; 15/41.1, 42-46,
15/48, 48.1, 79.1, 49.1, 50.3, 415.1; 16/DIG. 41
See application file for complete search history.

(56) **References Cited**

U.S. PATENT DOCUMENTS

D101,975	S	*	11/1936	Smith	D32/38
D104,419	S	*	5/1937	Williams	D32/38
D111,033	S	*	8/1938	Smith	D32/38
D312,154	S	*	11/1990	Kuroda	D32/38
5,115,538	A	*	5/1992	Cochran et al.	15/415.1
5,224,232	A	*	7/1993	Zahuranec et al.	15/41.1
D346,470	S	*	4/1994	Zahuranec et al.	D32/38

D391,708	S	*	3/1998	Canavan et al.	D32/38
5,920,939	A	*	7/1999	Worwag	15/41.1
6,842,936	B2		1/2005	Policicchio et al.		
7,152,267	B2		12/2006	Kaleta		
D544,668	S	*	6/2007	Harper et al.	D32/51
D549,410	S	*	8/2007	Orak et al.	D32/38
D549,910	S	*	8/2007	Bouhuys	D32/38
7,367,076	B2	*	5/2008	Makarov et al.	15/41.1
D581,616	S	*	11/2008	Presnell	D32/38
7,665,172	B1	*	2/2010	Tran et al.	15/41.1

* cited by examiner

Primary Examiner — David Muller

(74) *Attorney, Agent, or Firm* — Knechtel, Demeur & Samlan

(57) **CLAIM**

We claim the ornamental design for a floor sweeper with cloth cleaning pad, as shown and described.

DESCRIPTION

FIG. 1 is a perspective view of the floor sweeper with cloth cleaning pad;

FIG. 2 is a top plan view thereof;

FIG. 3 is a left side elevation view thereof;

FIG. 4 is a front elevation view thereof;

FIG. 5 is a bottom view thereof;

FIG. 6 is a rear elevation view thereof; and,

FIG. 7 is a right side elevation view thereof.

The features shown in broken lines depict environmental subject matter only and form no part of the claimed design.

1 Claim, 3 Drawing Sheets

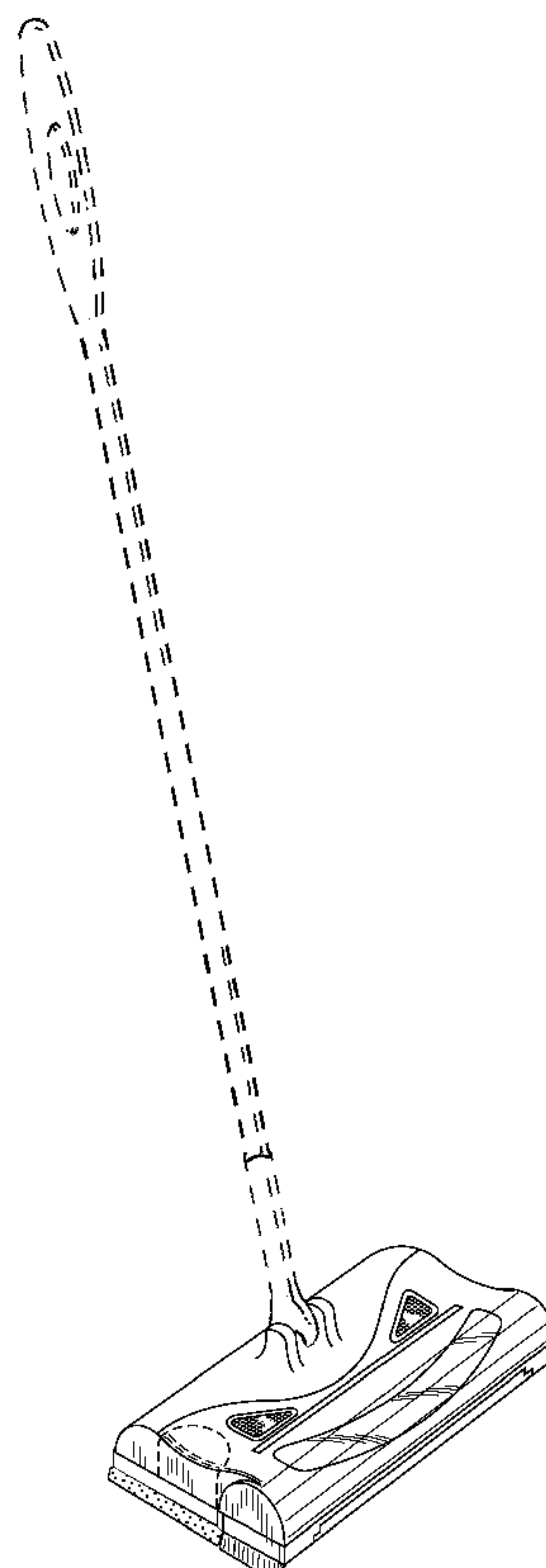


Fig. 1

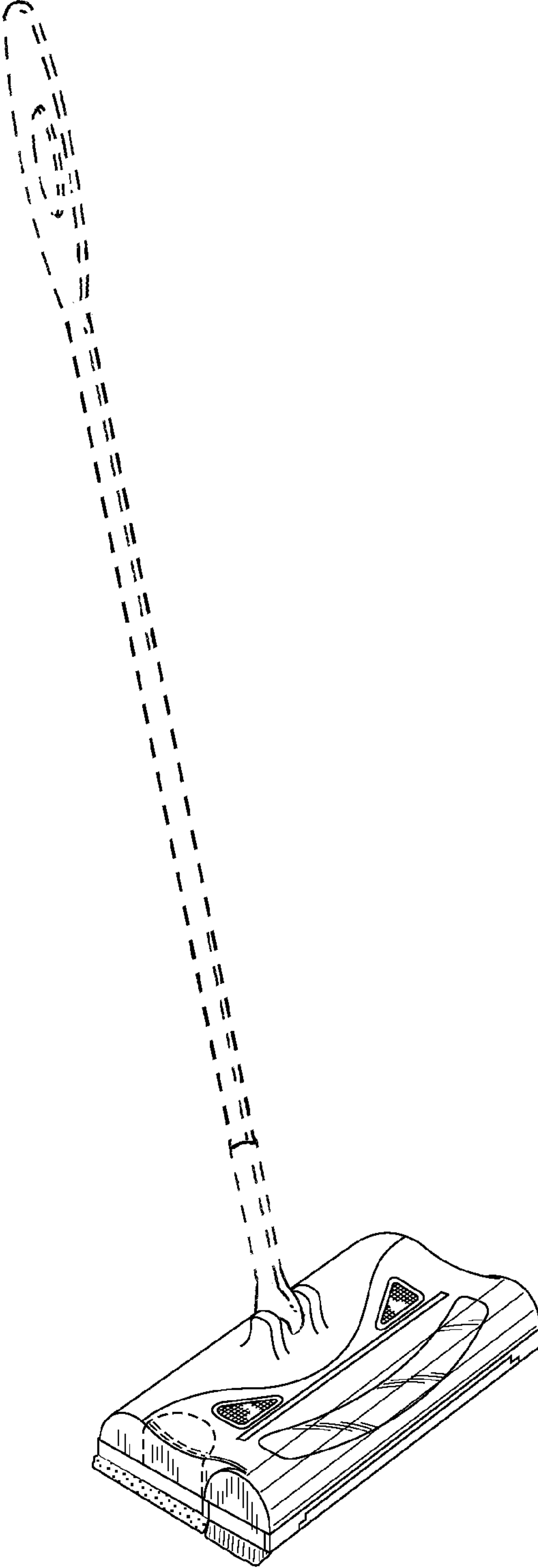


Fig. 2

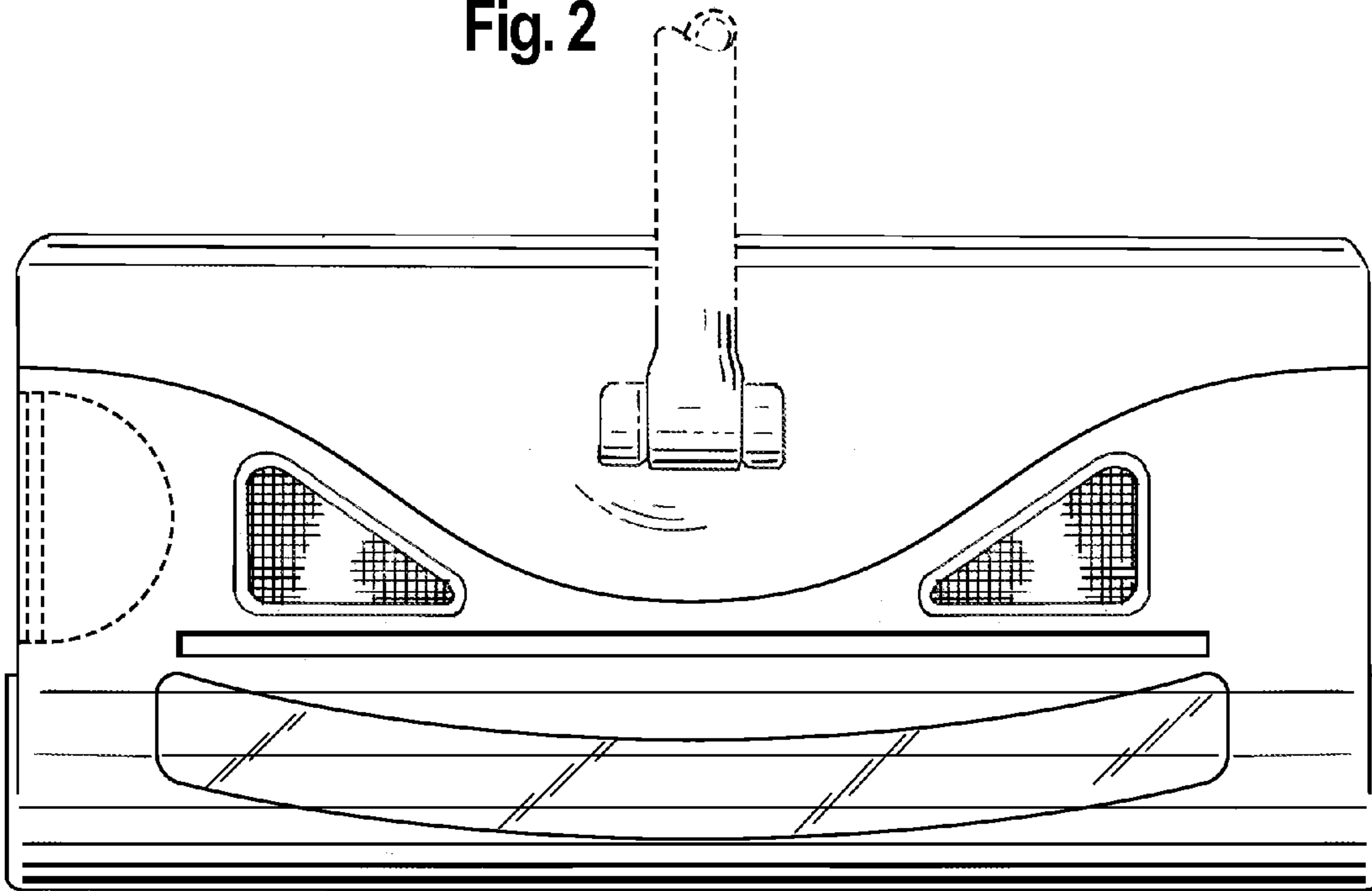


Fig. 3

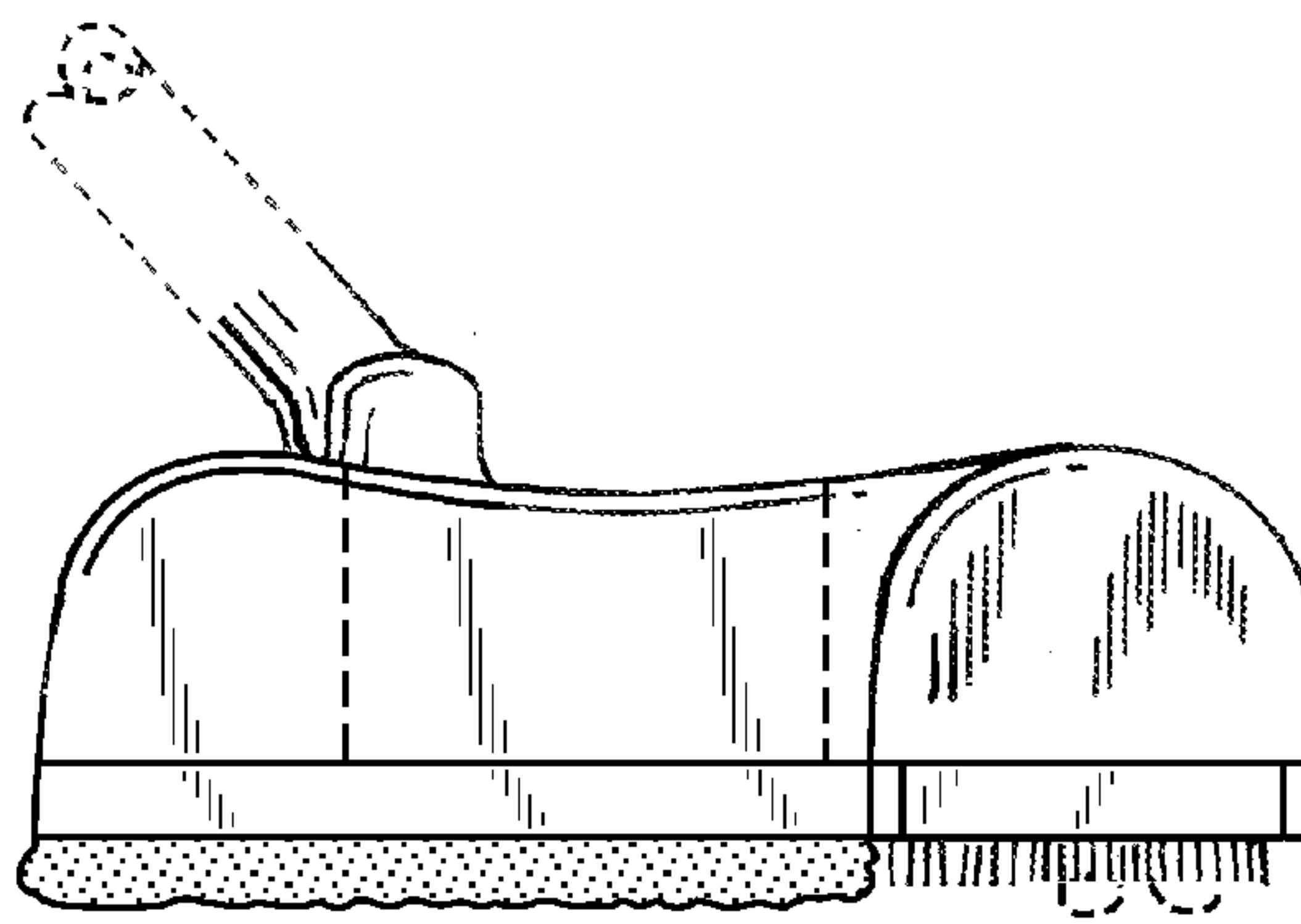


Fig. 4

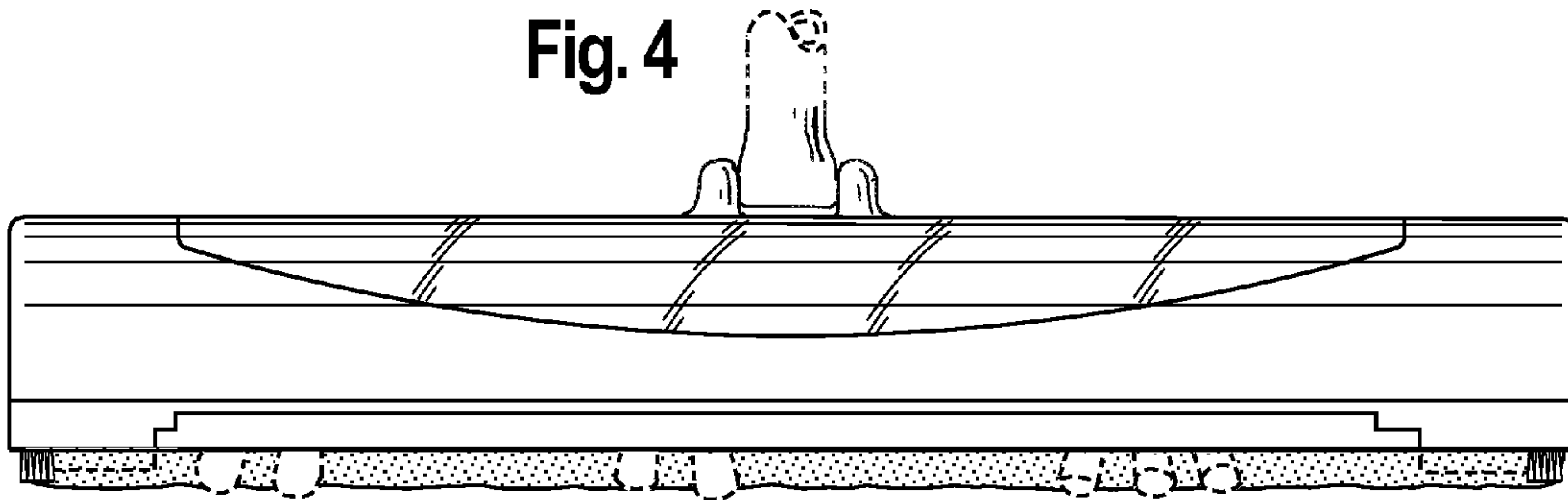


Fig. 5

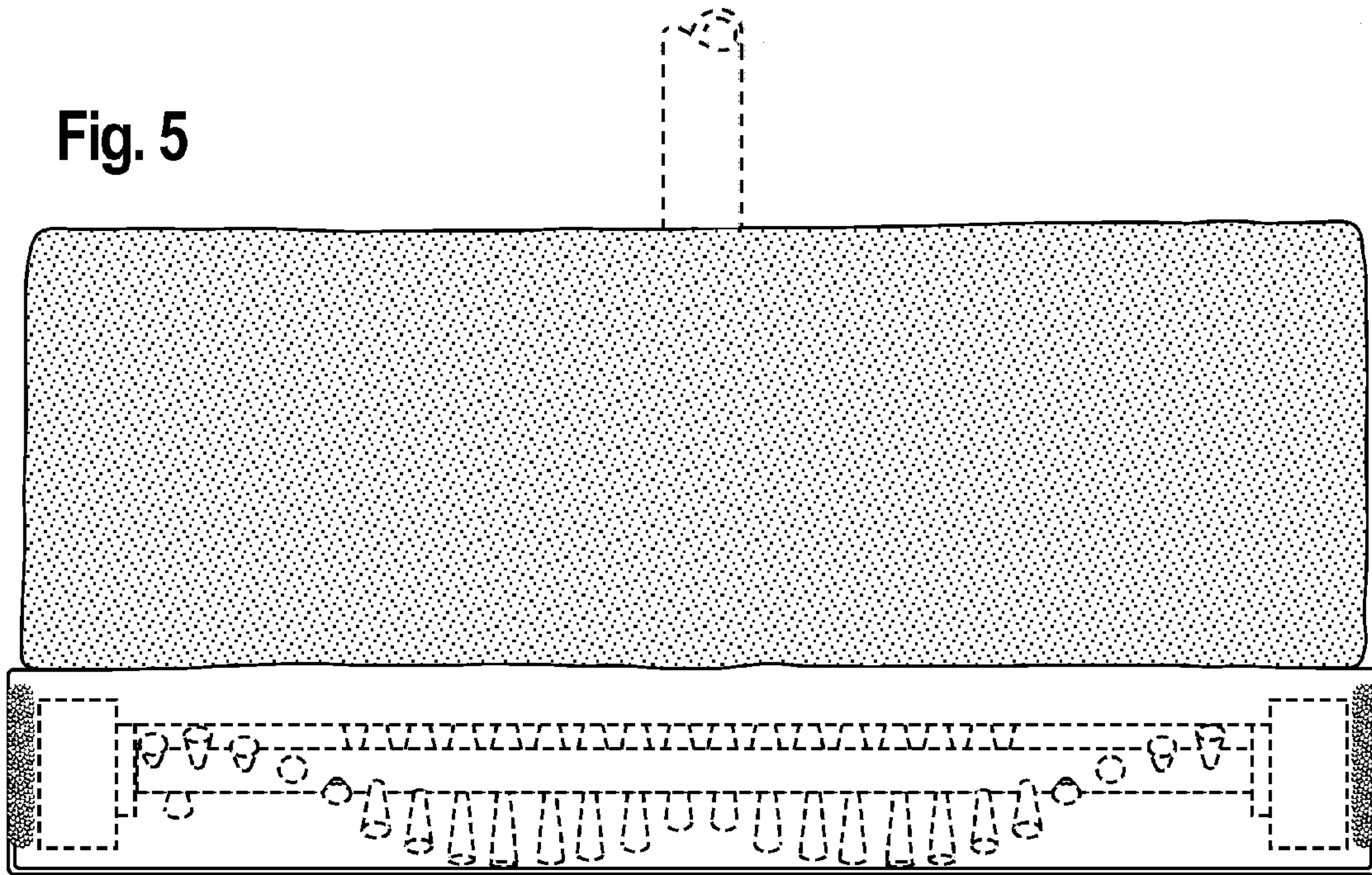


Fig. 6

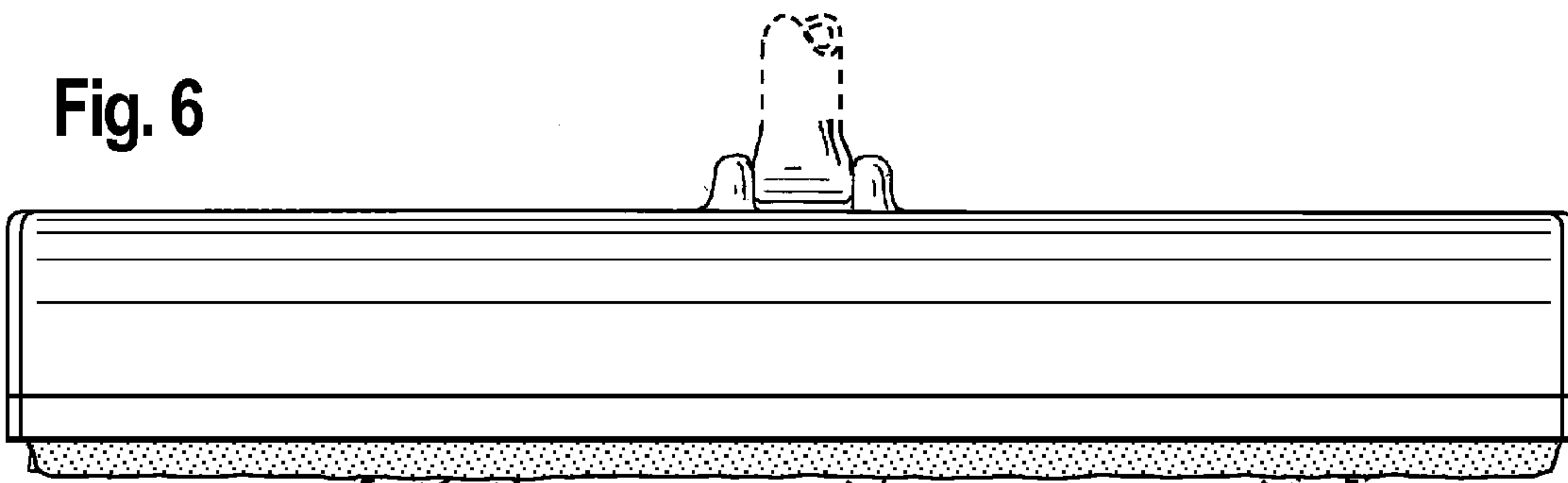


Fig. 7

