



US00D657101S

(12) **United States Design Patent**
Williams et al.

(10) **Patent No.:** **US D657,101 S**
(45) **Date of Patent:** **** Apr. 3, 2012**

(54) **COMBINED WET/DRY VACUUM CLEANER WITH A DETACHABLE BLOWER AND ACCESSORY STORAGE**

(75) Inventors: **Matthew A. Williams**, Bridgeton, MO (US); **Shane Glasgow**, Saint Ann, MO (US); **Douglas K. Ritterling**, Chesterfield, MO (US)

(73) Assignee: **Emerson Electric Co.**, St. Louis, MO (US)

(**) Term: **14 Years**

(21) Appl. No.: **29/377,418**

(22) Filed: **Oct. 21, 2010**

(51) **LOC (9) Cl.** **15-05**

(52) **U.S. Cl.** **D32/23**

(58) **Field of Classification Search** D32/21, D32/23-24, 30-31; 15/327.1-327, 7, 328, 15/340.1, 340.2, 353, 347, 301, 336, 320, 15/314, 352, 412; 55/447, 337, 345, DIG. 3
See application file for complete search history.

(56) **References Cited**

U.S. PATENT DOCUMENTS

2,920,337 A	1/1960	Smith
3,721,071 A	3/1973	Mueller et al.
4,222,145 A	9/1980	Lowder
4,226,000 A	10/1980	Tribolet
4,463,474 A	8/1984	Jacobs
4,640,521 A	2/1987	Berfield
4,704,764 A	11/1987	Metelko
4,888,849 A	12/1989	Hult et al.
5,144,716 A	9/1992	Watanabe et al.
5,146,647 A	9/1992	Blase et al.
5,237,720 A	8/1993	Blase et al.
5,243,733 A	9/1993	Steiner et al.
5,313,686 A	5/1994	Berfield
5,373,606 A	12/1994	Bosyj et al.
5,400,464 A	3/1995	Steiner
5,528,794 A	6/1996	Tomasiak
5,598,605 A	2/1997	Tomasiak

5,606,769 A	3/1997	Tomasiak et al.
5,611,107 A	3/1997	Tomasiak et al.
5,924,165 A	7/1999	Gierer et al.
5,971,497 A	10/1999	Lee
D422,351 S	4/2000	Griffin
D422,764 S	4/2000	Wood
6,059,541 A	5/2000	Beckey et al.
D426,355 S	6/2000	Rohn et al.
6,098,241 A	8/2000	Wood
6,170,118 B1	1/2001	McIntyre et al.
D438,353 S *	2/2001	Hoshino et al. D32/23
6,219,880 B1	4/2001	Worden et al.
6,230,361 B1	5/2001	Griffin
6,237,187 B1	5/2001	Hult et al.
D443,739 S	6/2001	Young et al.
D444,274 S	6/2001	Griffin
D446,892 S	8/2001	Griffin
D447,292 S	8/2001	Griffin
D447,293 S	8/2001	Griffin
D447,609 S	9/2001	Hult et al.
D447,842 S	9/2001	Griffin
D447,843 S	9/2001	Griffin

(Continued)

Primary Examiner — Ruth McInroy

(74) *Attorney, Agent, or Firm* — Locke Lord LLP

(57) **CLAIM**

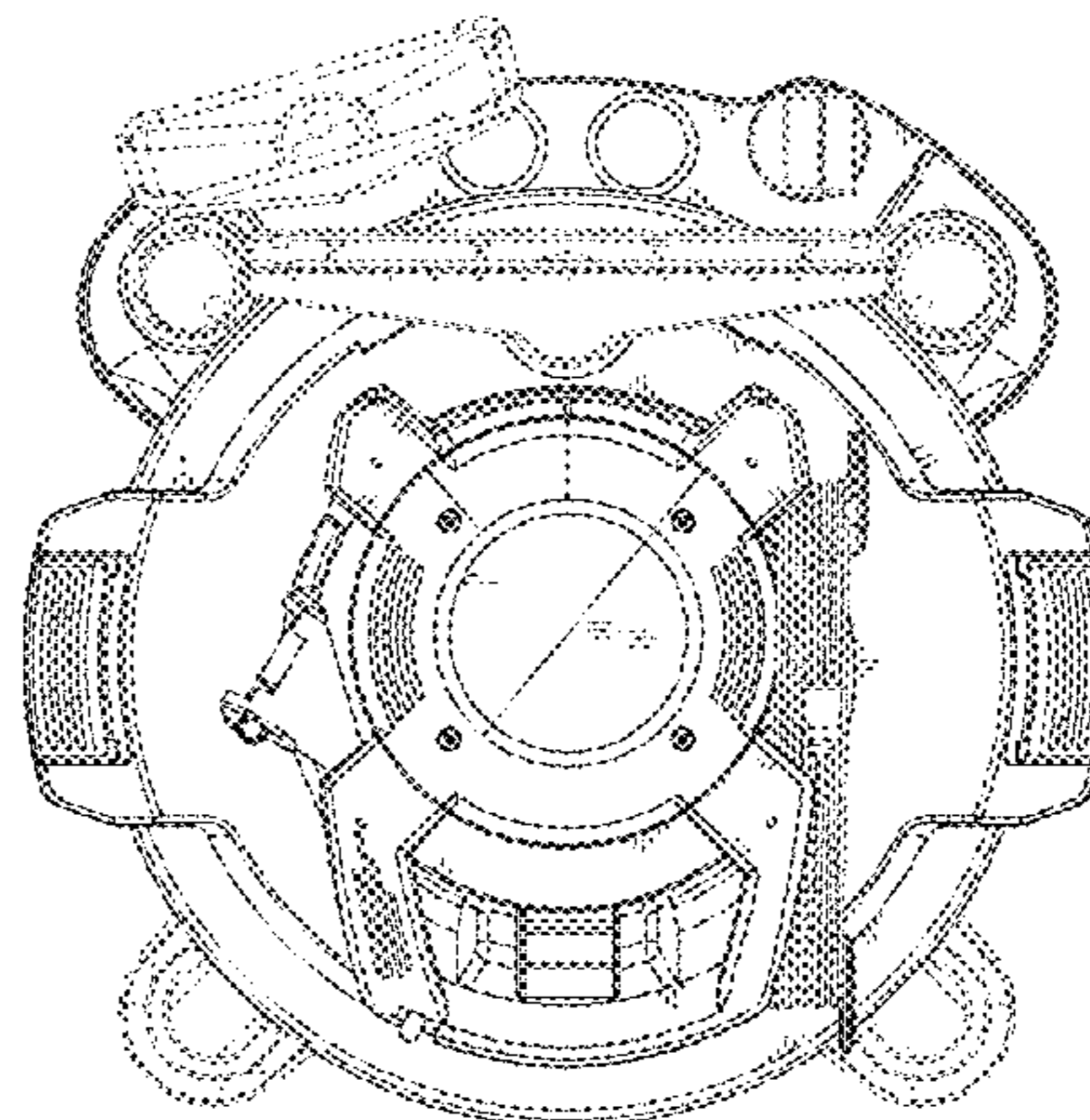
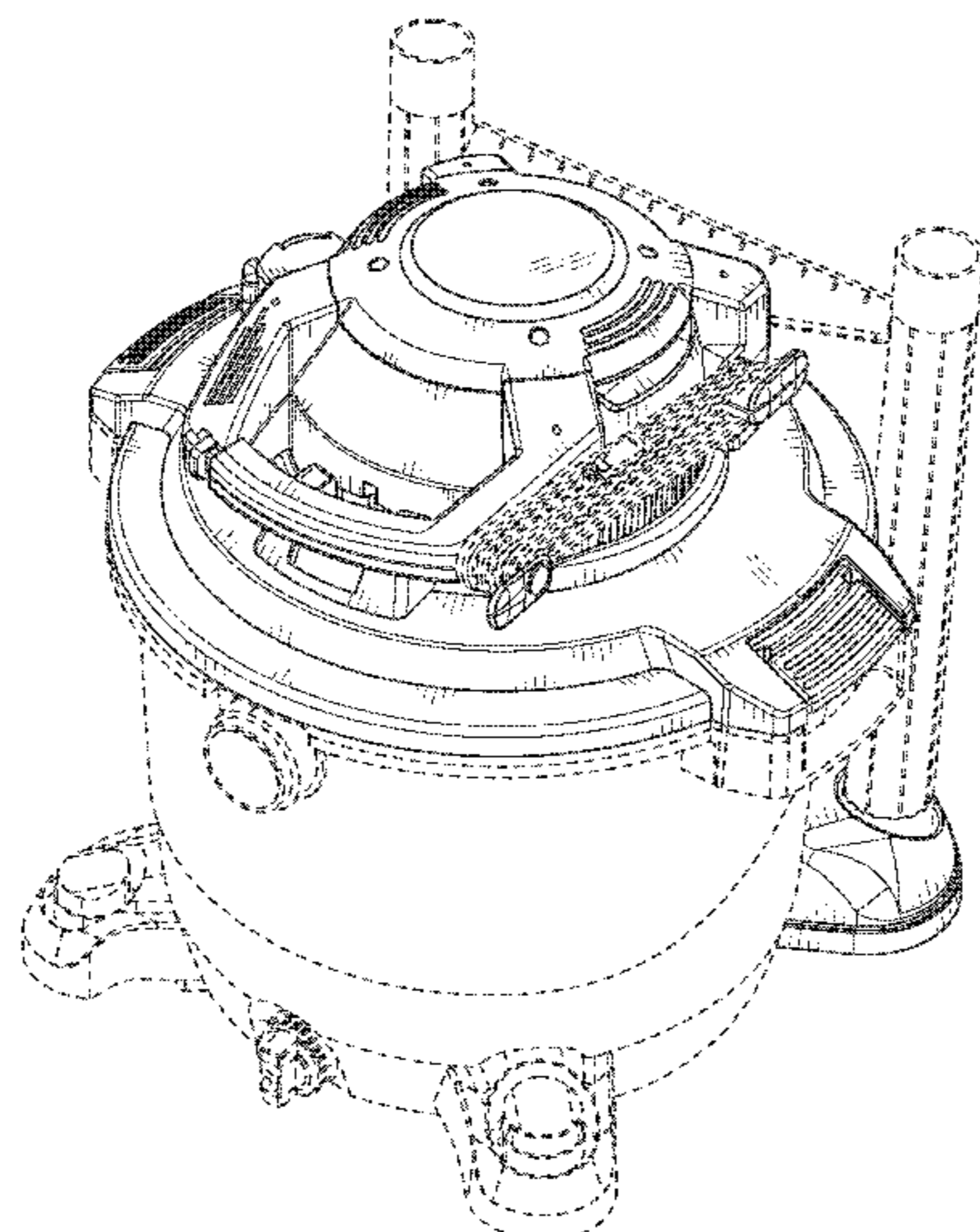
The ornamental design for a combined wet/dry vacuum cleaner with a detachable blower and accessory storage, as shown and described.

DESCRIPTION

FIG. 1 is an isometric front perspective view of a wet/dry vacuum with a detachable blower and accessory storage; FIG. 2 is a top view thereof; FIG. 3 is a front elevational view thereof; FIG. 4 is a back elevational view thereof; FIG. 5 is a side view thereof; and, FIG. 6 is a side view showing the side opposite that shown in FIG. 5.

The broken lines in the Figures are for the purpose of illustrating exemplary environmental structure and forms no part of the claimed design.

1 Claim, 6 Drawing Sheets



US D657,101 S

Page 2

U.S. PATENT DOCUMENTS

D452,052 S	12/2001	Griffin	
D454,672 S	3/2002	Griffin	
6,378,165 B1	4/2002	Holsten et al.	
6,385,809 B1	5/2002	Martin et al.	
D461,605 S	8/2002	Griffin	
6,484,348 B1	11/2002	Paterson et al.	
6,494,544 B1	12/2002	Berfield et al.	
D469,934 S	2/2003	Fry et al.	
D470,279 S	2/2003	Griffin et al.	
D470,280 S *	2/2003	Griffin et al. D32/23
6,530,116 B2 *	3/2003	Berfield et al. 15/328
D473,024 S	4/2003	Griffin et al.	
6,543,085 B2	4/2003	Holsten et al.	
D479,371 S *	9/2003	Griffin et al. D32/23
D486,280 S *	2/2004	Holsten et al. D32/23
D492,823 S *	7/2004	Hoshino et al. D32/23
D492,824 S *	7/2004	Tomasiak et al. D32/23
D494,327 S *	8/2004	Song D32/21
6,832,408 B2	12/2004	Roney et al.	
D506,042 S	6/2005	Griffin et al.	
D507,386 S	7/2005	Griffin et al.	
6,938,299 B2	9/2005	Martinez et al.	
7,159,272 B2	1/2007	Holsten et al.	
7,237,300 B2	7/2007	Tomasiak et al.	
7,263,742 B2	9/2007	Valentini	
7,284,297 B2	10/2007	Shanor et al.	
7,287,301 B2	10/2007	Marshall et al.	
D565,269 S	3/2008	Tomasiak et al.	
D568,013 S *	4/2008	Crevling et al. D32/23
D614,369 S *	4/2010	Theising et al. D32/31
D619,770 S	7/2010	Moore, Jr.	
7,870,640 B2	1/2011	Hinklin et al.	
D634,494 S *	3/2011	Theising et al. D32/31
2007/0000815 A1	1/2007	Nurudeen	
2008/0115307 A1	5/2008	Phelan et al.	
2008/0189898 A1	8/2008	Hughes	
2010/0132151 A1	6/2010	Khalil et al.	

* cited by examiner

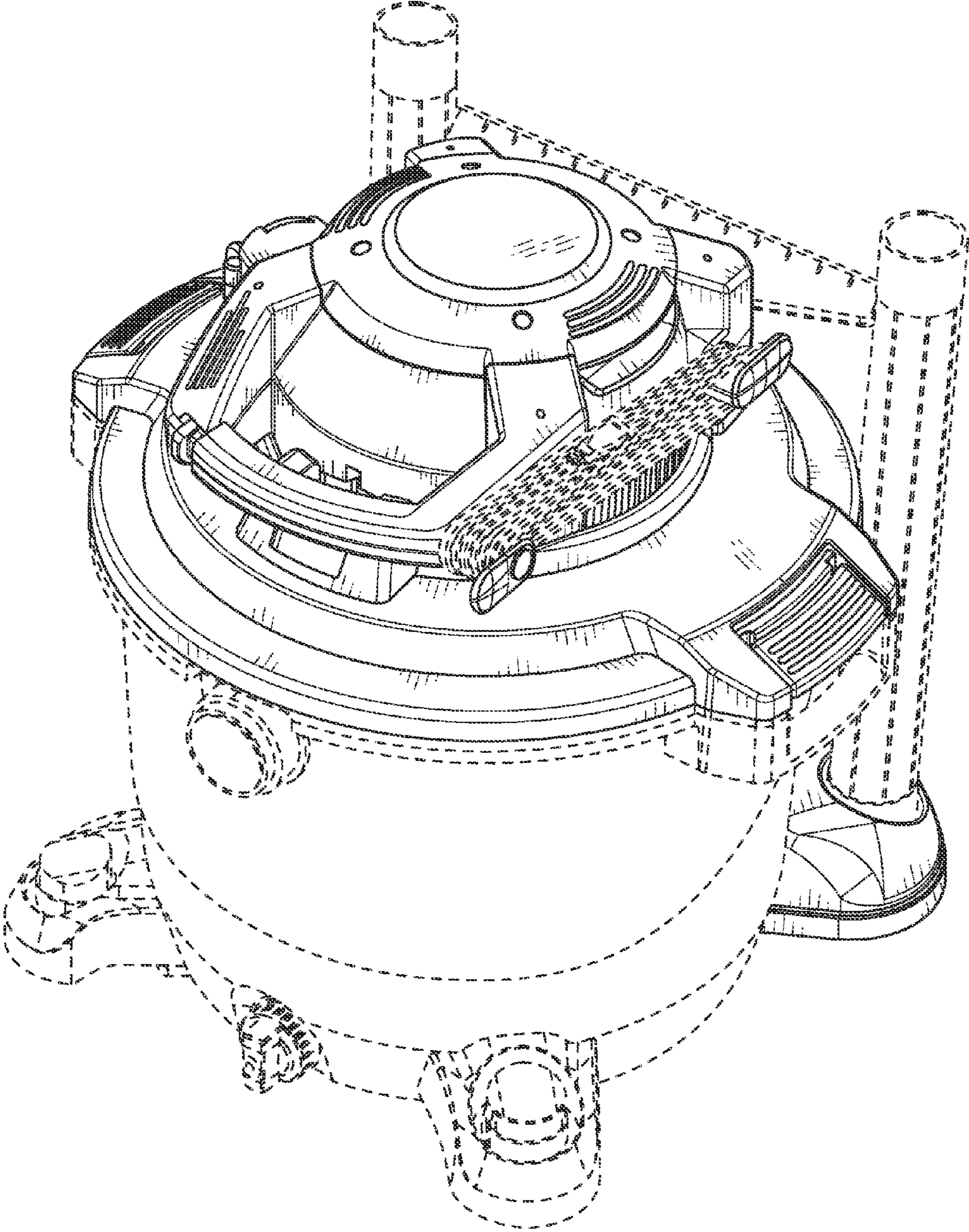


FIG. 1

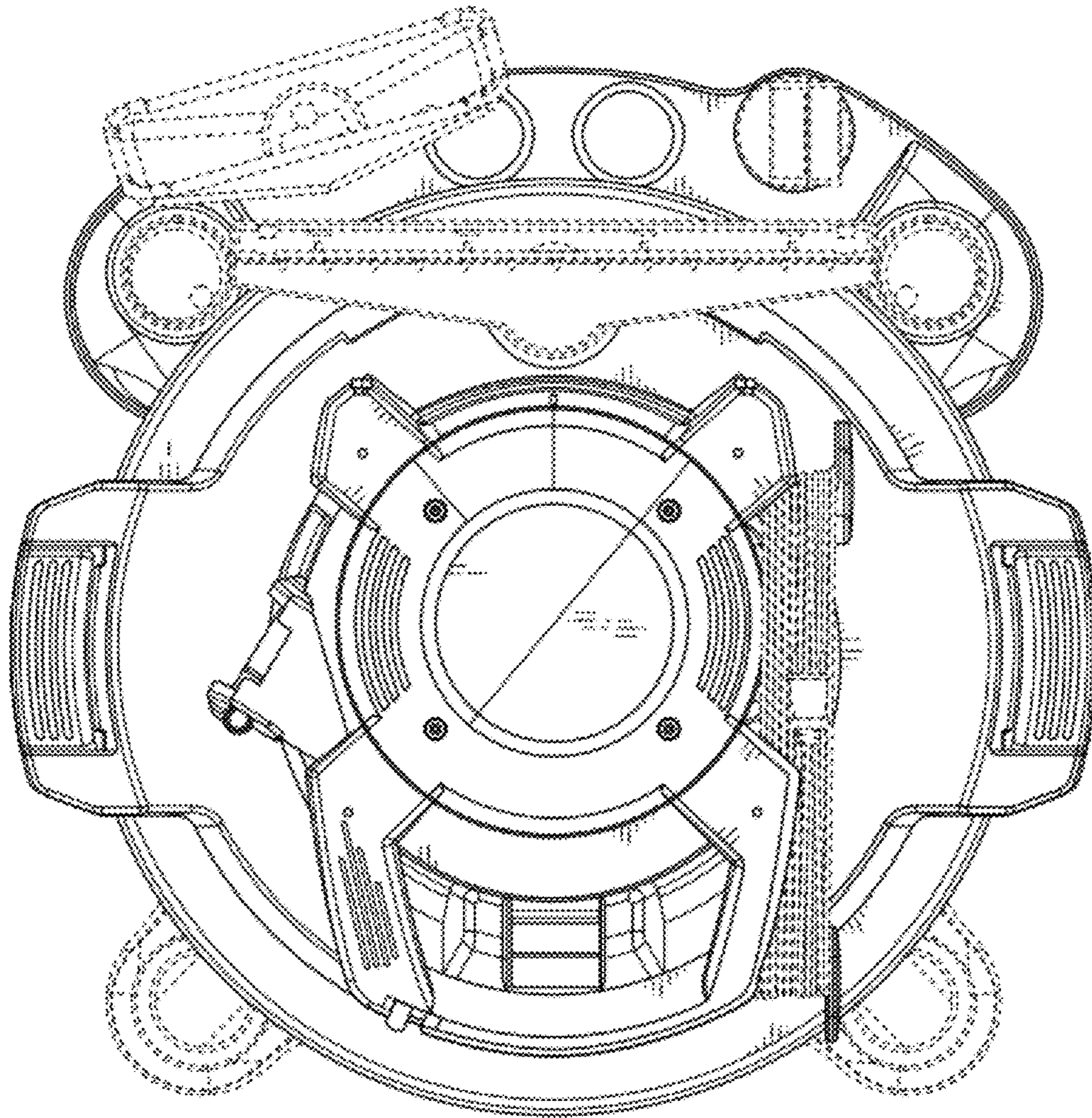


FIG. 2

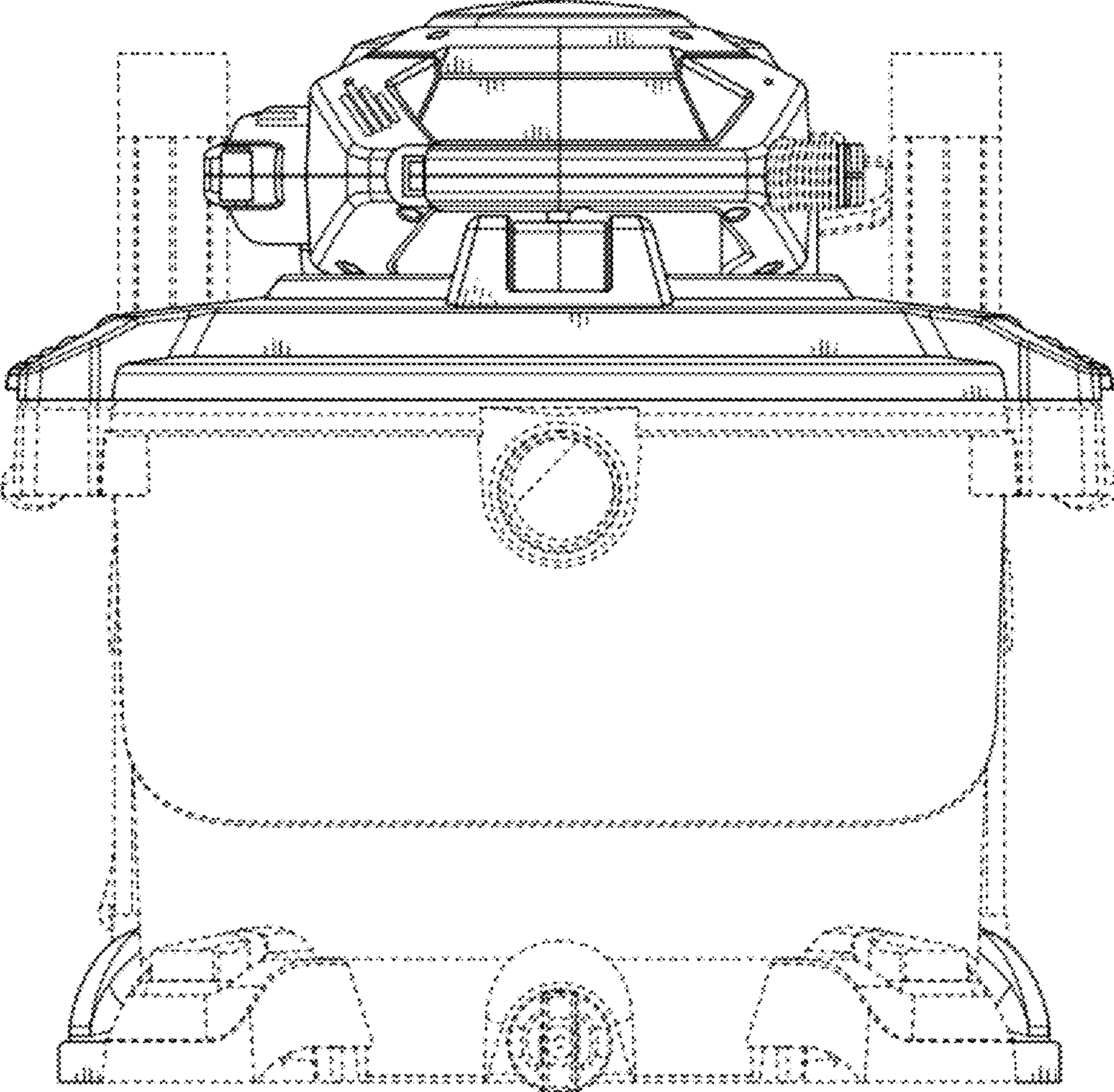


FIG. 3

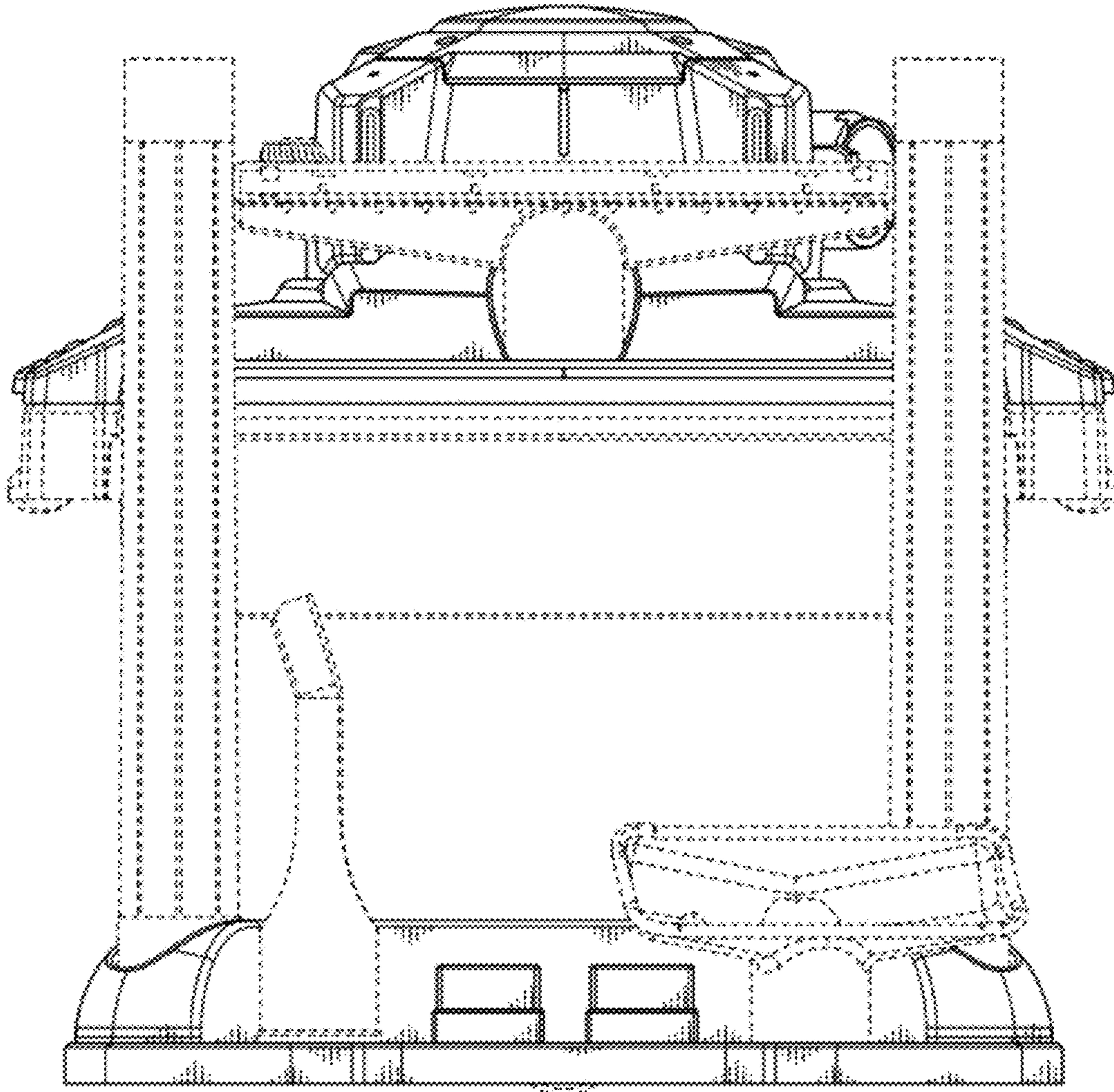


FIG. 4

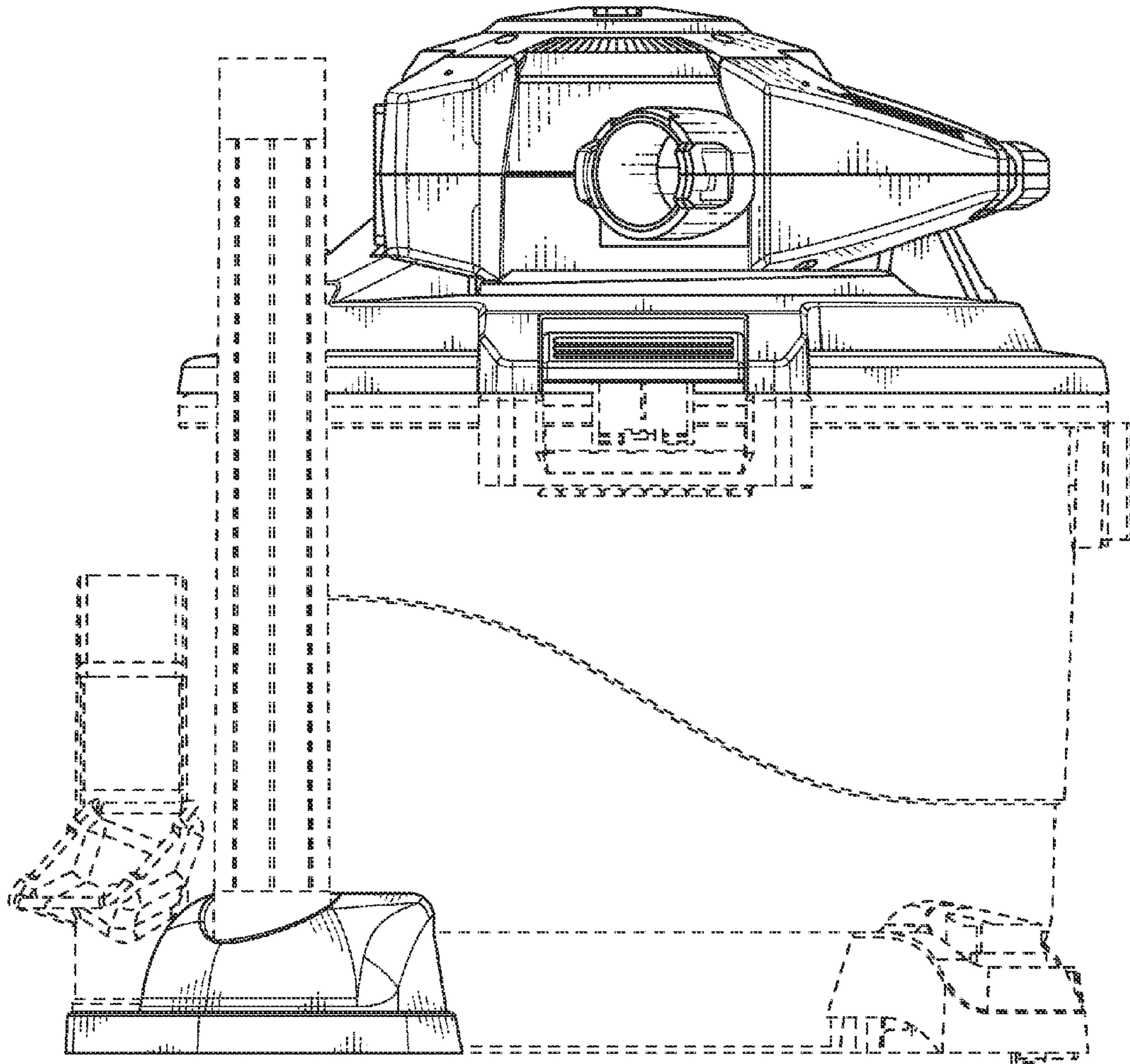


FIG. 5

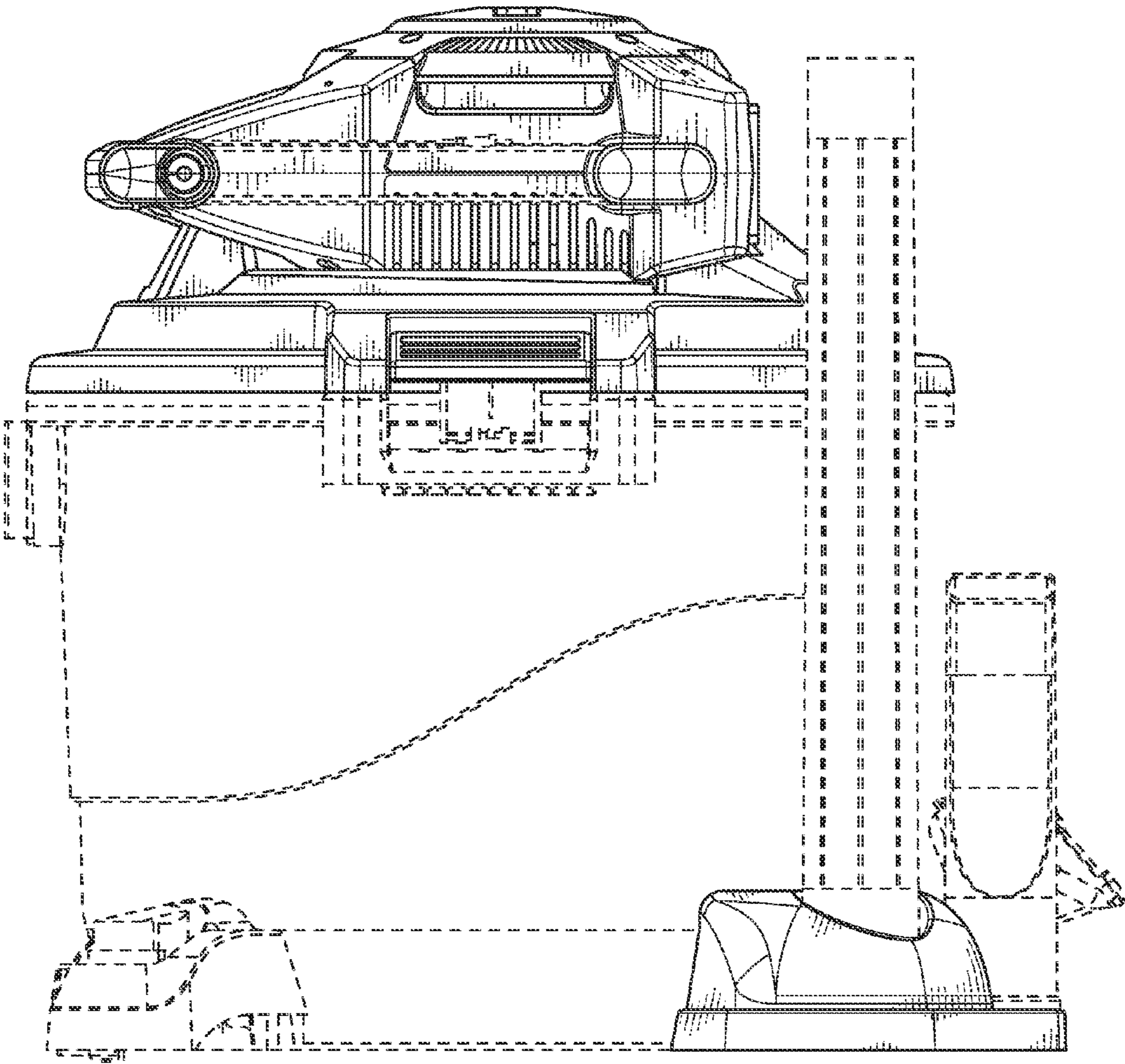


FIG. 6