



US00D657098S

(12) **United States Design Patent**
So et al.

(10) **Patent No.:** **US D657,098 S**
(45) **Date of Patent:** **** Apr. 3, 2012**

(54) **ANIMAL TRAINING COLLAR DEVICE**

(75) Inventors: **Ho-Sung So**, Seoul (KR); **Se-Chul Im**, Gimpo-si (KR)

(73) Assignee: **E-Collar Technologies, Inc.**, Garrett, IN (US)

(**) Term: **14 Years**

(21) Appl. No.: **29/399,384**

(22) Filed: **Aug. 12, 2011**

(30) **Foreign Application Priority Data**

May 9, 2011 (KR) 30-2011-0018946

(51) **LOC (9) Cl.** **30-08**

(52) **U.S. Cl.** **D30/155**

(58) **Field of Classification Search** D30/144,
D30/152, 151, 199; 119/712, 719-721, 856,
119/859, 863, 908, 129, 108, 106; D10/104,
D10/106, 116, 121; 340/573.3, 573.1; D14/432,
D14/356, 344; D3/215, 228; 40/658; 343/895;
540/1

See application file for complete search history.

(56) **References Cited**

U.S. PATENT DOCUMENTS

4,180,013	A *	12/1979	Smith	119/718
4,612,719	A *	9/1986	de Jong	40/658
4,669,424	A *	6/1987	Bianco et al.	119/650
D298,872	S *	12/1988	Cassel et al.	D30/199
4,794,402	A *	12/1988	Gonda et al.	119/720
4,887,549	A *	12/1989	Powell	119/718
D330,173	S *	10/1992	Juliana et al.	D30/152
5,161,485	A *	11/1992	McDade	119/859
5,207,178	A *	5/1993	McDade et al.	119/859
D336,055	S *	6/1993	Juliana et al.	D30/152
D345,932	S *	4/1994	Fedalizo	D10/106.1
D366,457	S *	1/1996	Pilcher	D13/162
D376,553	S *	12/1996	Heun	D10/104.1
D380,692	S *	7/1997	Heun	D30/152
D385,855	S *	11/1997	Ronzani	D14/344
D387,898	S *	12/1997	Ronzani	D3/215

D400,458	S *	11/1998	Titus et al.	D10/104.1
D405,021	S *	2/1999	Steele	D10/104.1
D410,206	S *	5/1999	Slater	D10/104.1
5,911,199	A *	6/1999	Farkas et al.	119/859
6,019,066	A *	2/2000	Taylor	119/720
6,079,367	A *	6/2000	Stapelfeld et al.	119/720
D428,218	S *	7/2000	Dehart	D30/152
D445,707	S *	7/2001	Zakhakyan	D30/152
6,360,698	B1 *	3/2002	Stapelfeld et al.	119/720
D469,029	S *	1/2003	So	D10/104.1
D473,481	S *	4/2003	So	D10/104.1
D478,830	S *	8/2003	So	D30/199
D478,831	S *	8/2003	So	D10/104.1
D482,979	S *	12/2003	So	D10/104.1
6,661,344	B2 *	12/2003	Bowling	340/573.3
6,712,025	B2 *	3/2004	Peterson et al.	119/721
6,750,758	B2 *	6/2004	Duncan et al.	340/384.1
6,860,240	B2 *	3/2005	Kim et al.	119/719
6,907,844	B1 *	6/2005	Crist et al.	119/718
6,928,958	B2 *	8/2005	Crist et al.	119/718
7,000,570	B2 *	2/2006	Napolez et al.	119/718
D520,894	S *	5/2006	Zakharyan	D30/199
D522,187	S *	5/2006	Nottingham et al.	D30/152
D523,998	S *	6/2006	Nottingham et al.	D30/152

(Continued)

Primary Examiner — Susan Moon Lee

(74) *Attorney, Agent, or Firm* — Greer, Burns & Crain, Ltd.

(57) **CLAIM**

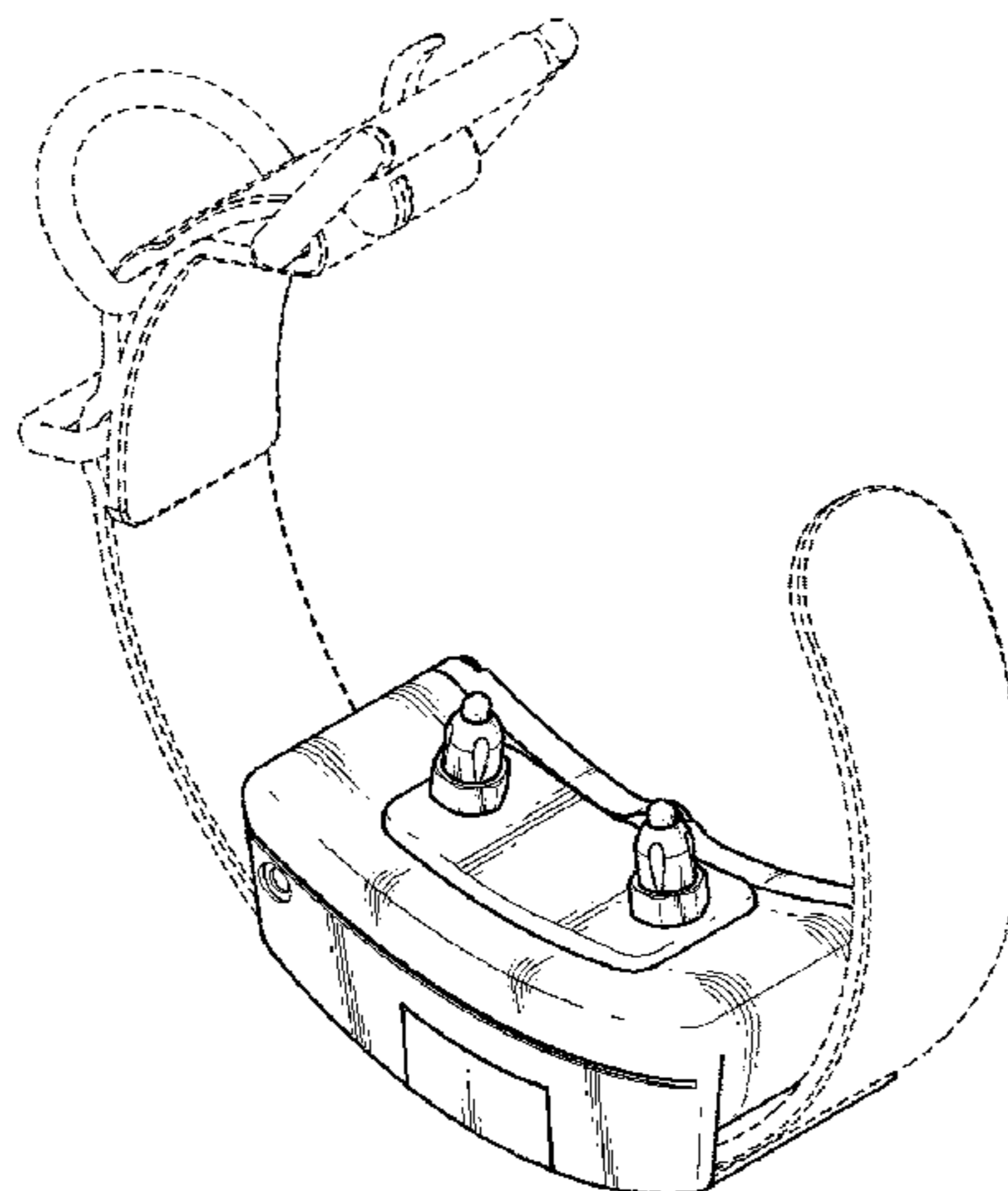
We claim the ornamental design for an animal training collar device, as shown and described.

DESCRIPTION

FIG. 1 is a perspective view of an animal training collar device showing my own design; FIG. 2 is a front view thereof; FIG. 3 is a rear view thereof; FIG. 4 is a left side view thereof; FIG. 5 is a right side view thereof; FIG. 6 is a top view thereof; FIG. 7 is a bottom view thereof; and, FIG. 8 is a perspective view of the animal training collar device, shown in use.

The elements in broken line are not claimed.

1 Claim, 8 Drawing Sheets



US D657,098 S

Page 2

U.S. PATENT DOCUMENTS

D526,590	S *	8/2006	So	D10/104.1	D587,614	S *	3/2009	Schwanitz et al.	D10/106.1
7,198,009	B2 *	4/2007	Crist et al.	119/718	7,786,875	B2 *	8/2010	Wu	340/573.3
7,252,051	B2 *	8/2007	Napolez et al.	119/718	D637,365	S *	5/2011	Li et al.	D30/155
D553,037	S *	10/2007	Zakharyan et al.	D30/199	8,065,978	B2 *	11/2011	Duncan et al.	119/721
D555,298	S *	11/2007	Garon	D30/152	2003/0122678	A1 *	7/2003	Duncan et al.	340/573.3
D578,918	S *	10/2008	Aninye	D10/104.1	2011/0132275	A1 *	6/2011	Huo	119/720
D581,303	S *	11/2008	Concari	D10/104.1	2011/0205069	A1 *	8/2011	Liu	340/573.3
D586,249	S *	2/2009	Elsemore	D10/104.1						

* cited by examiner

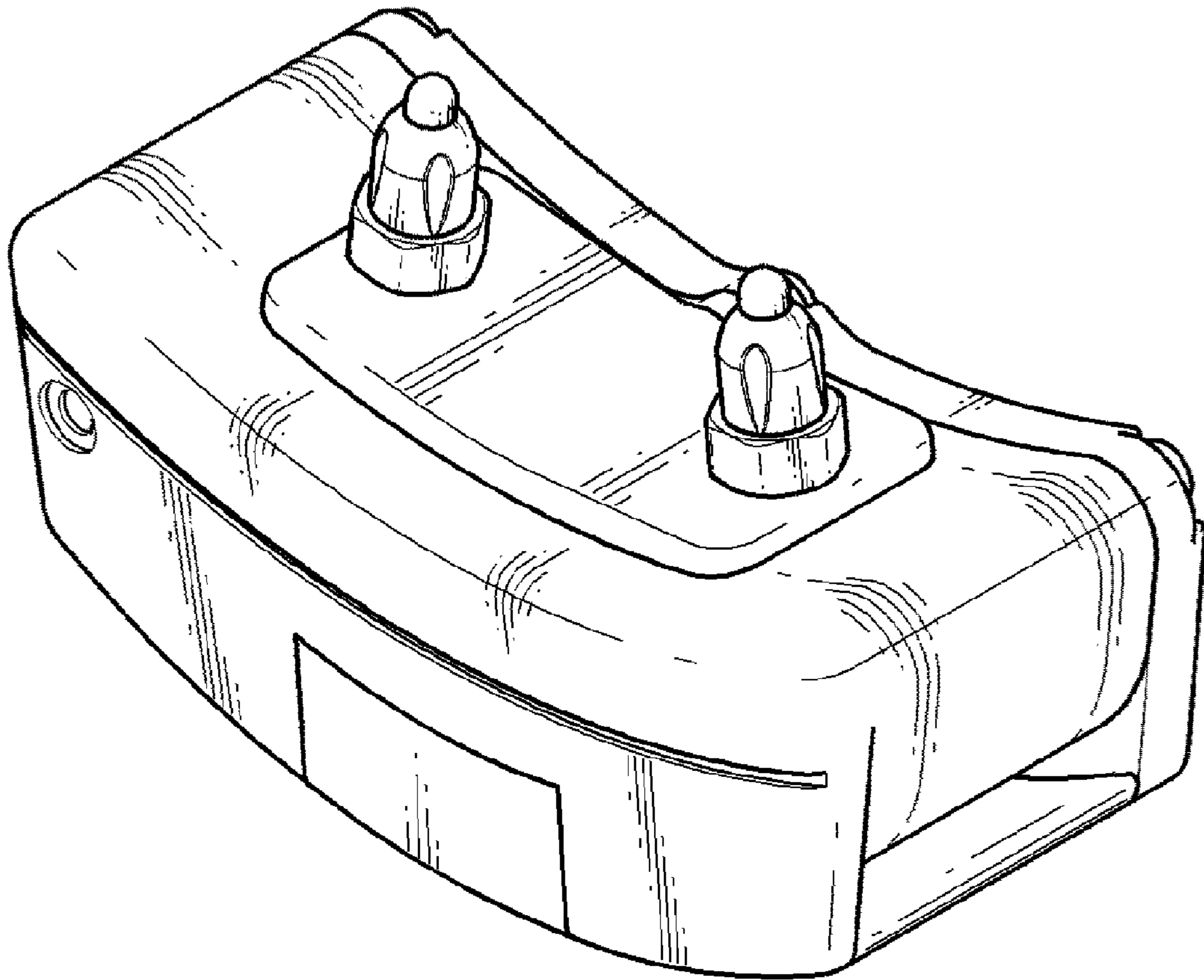


FIG. 1

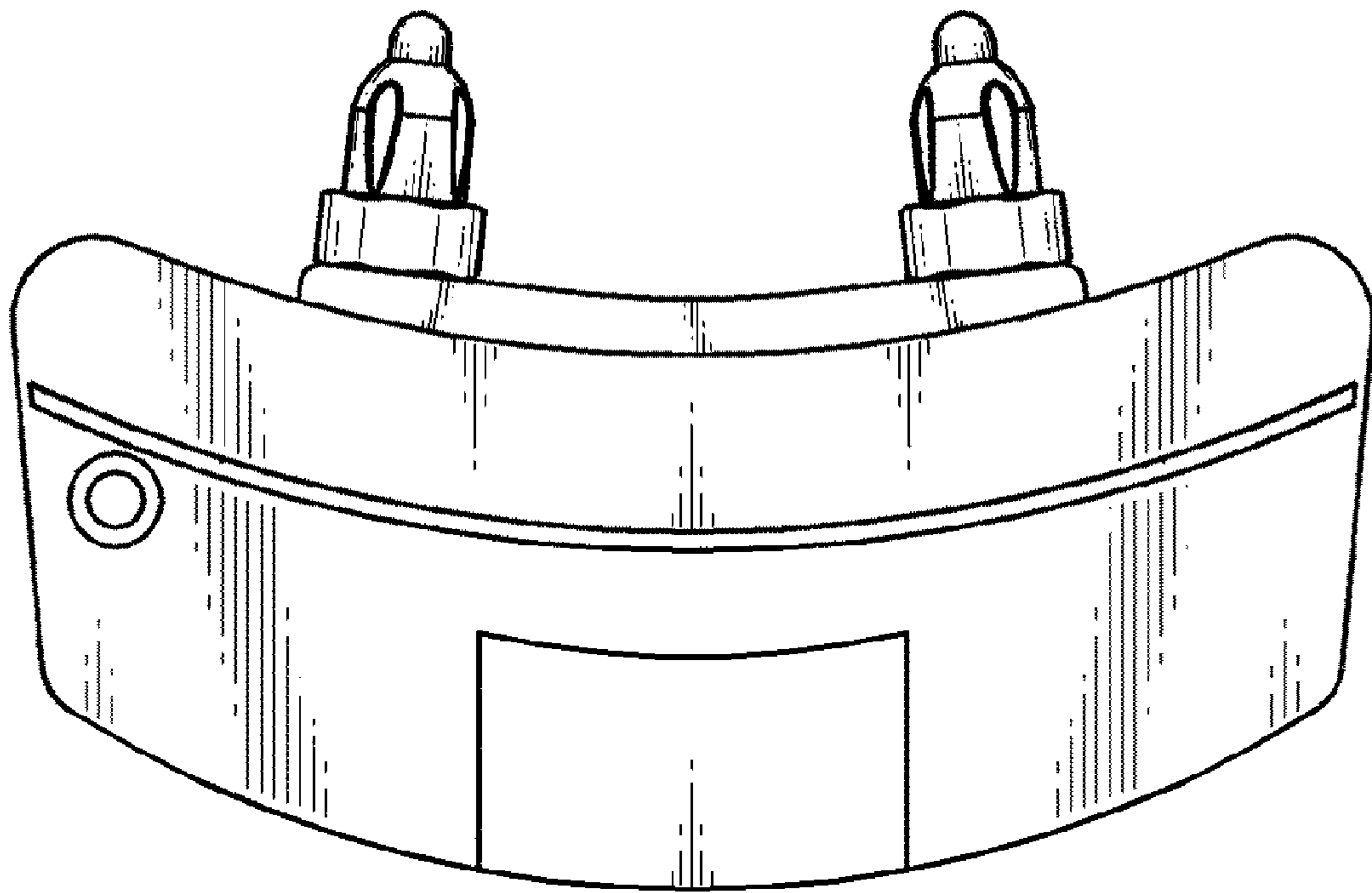


FIG. 2

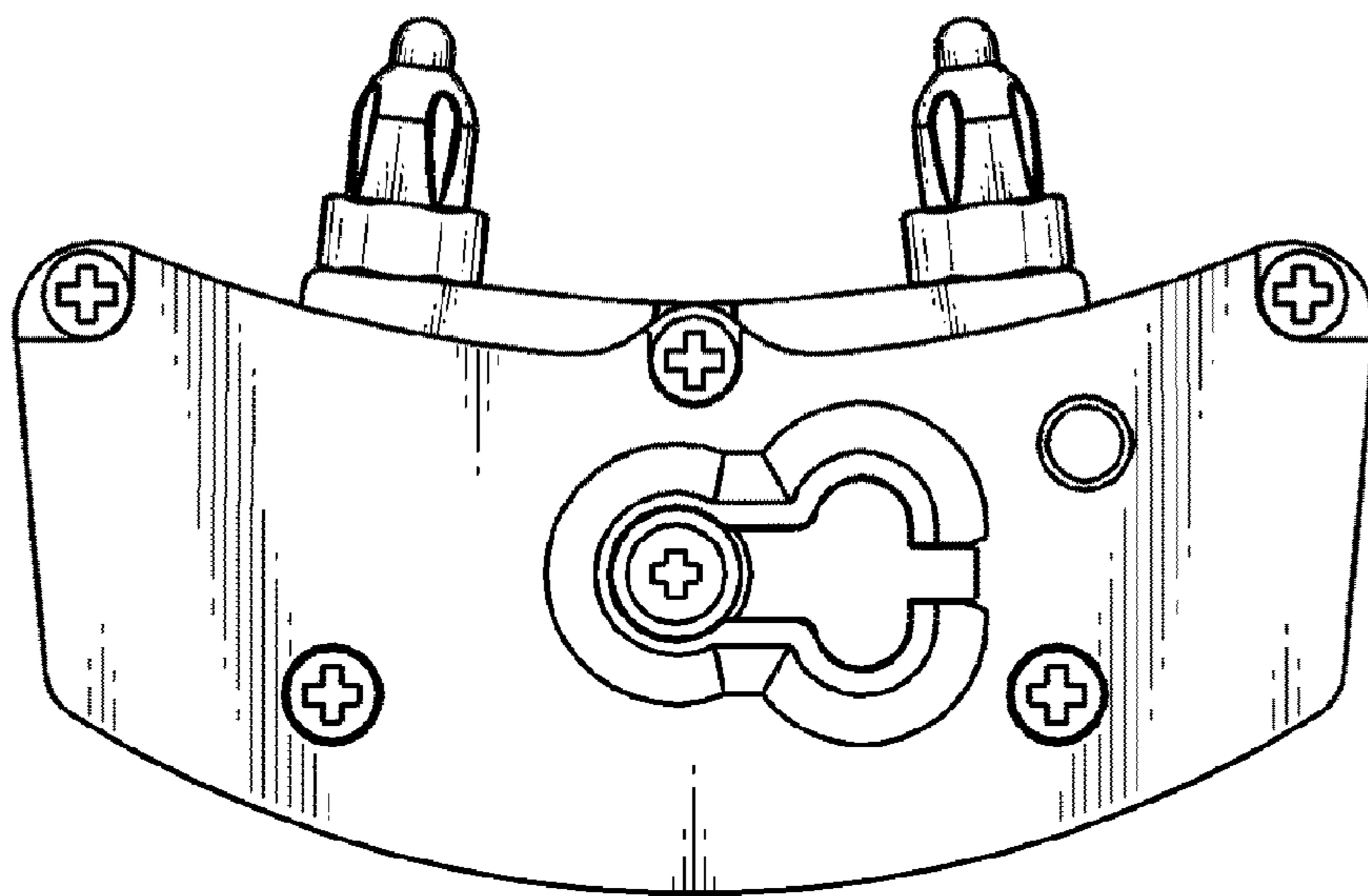


FIG. 3

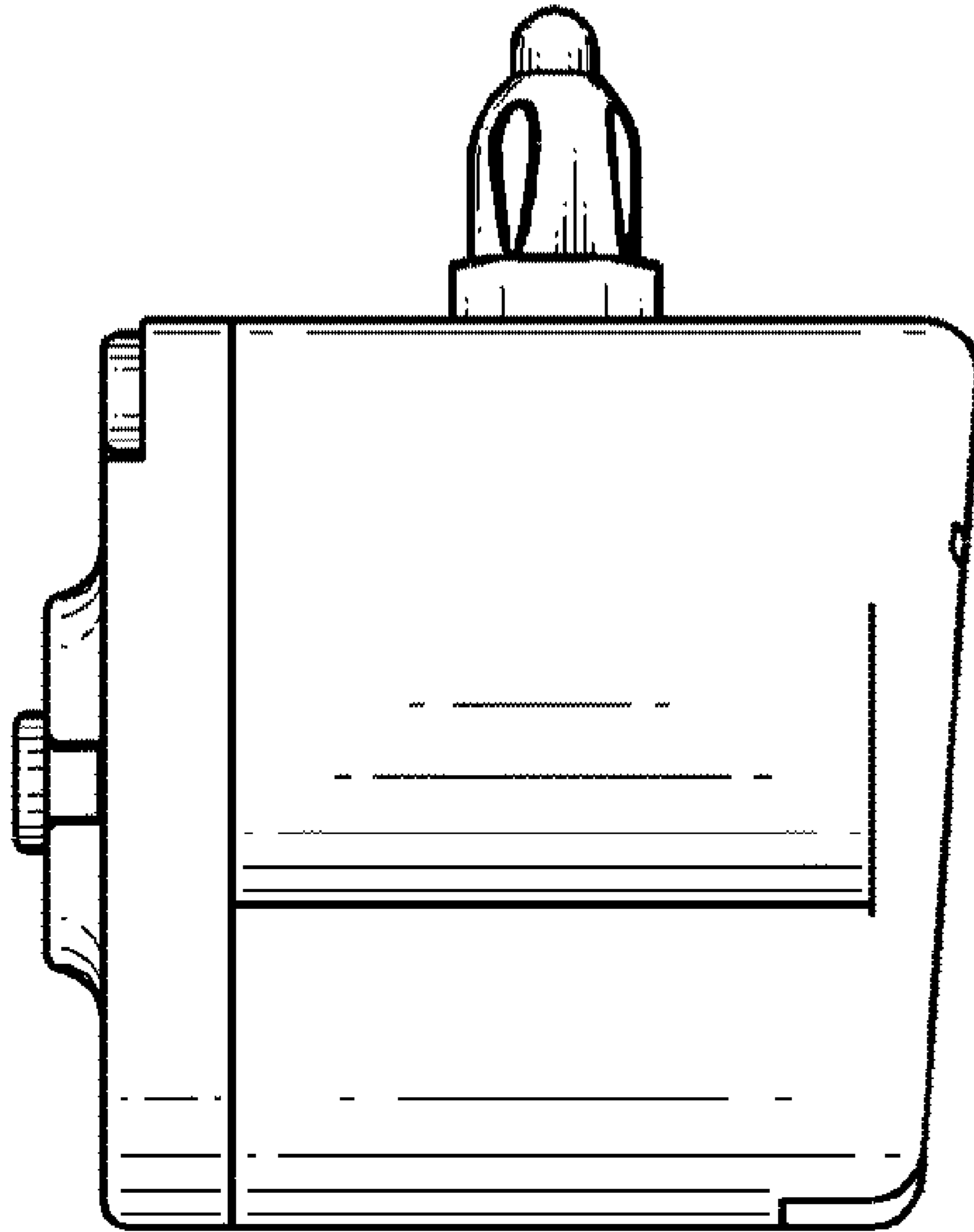


FIG. 4

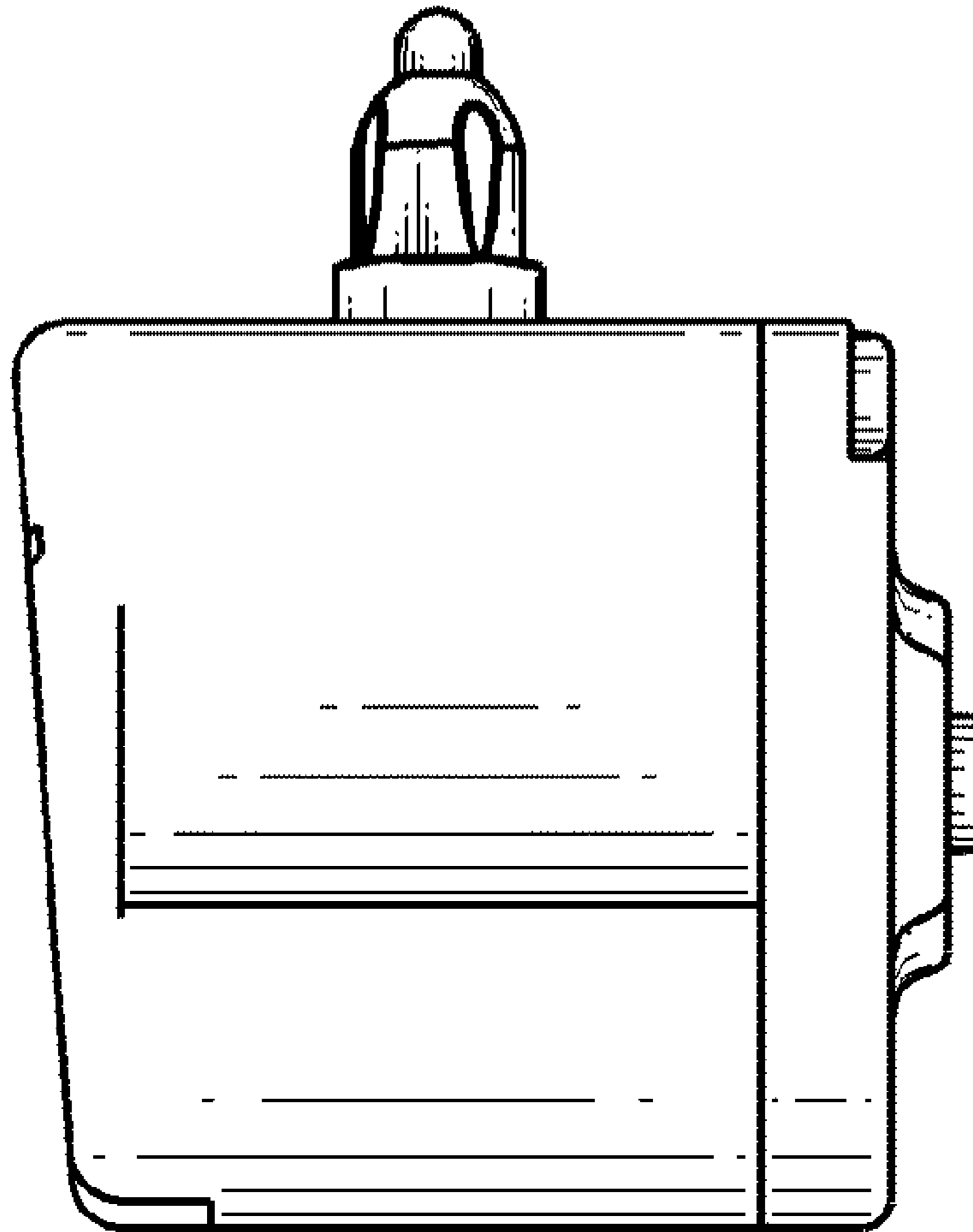


FIG. 5

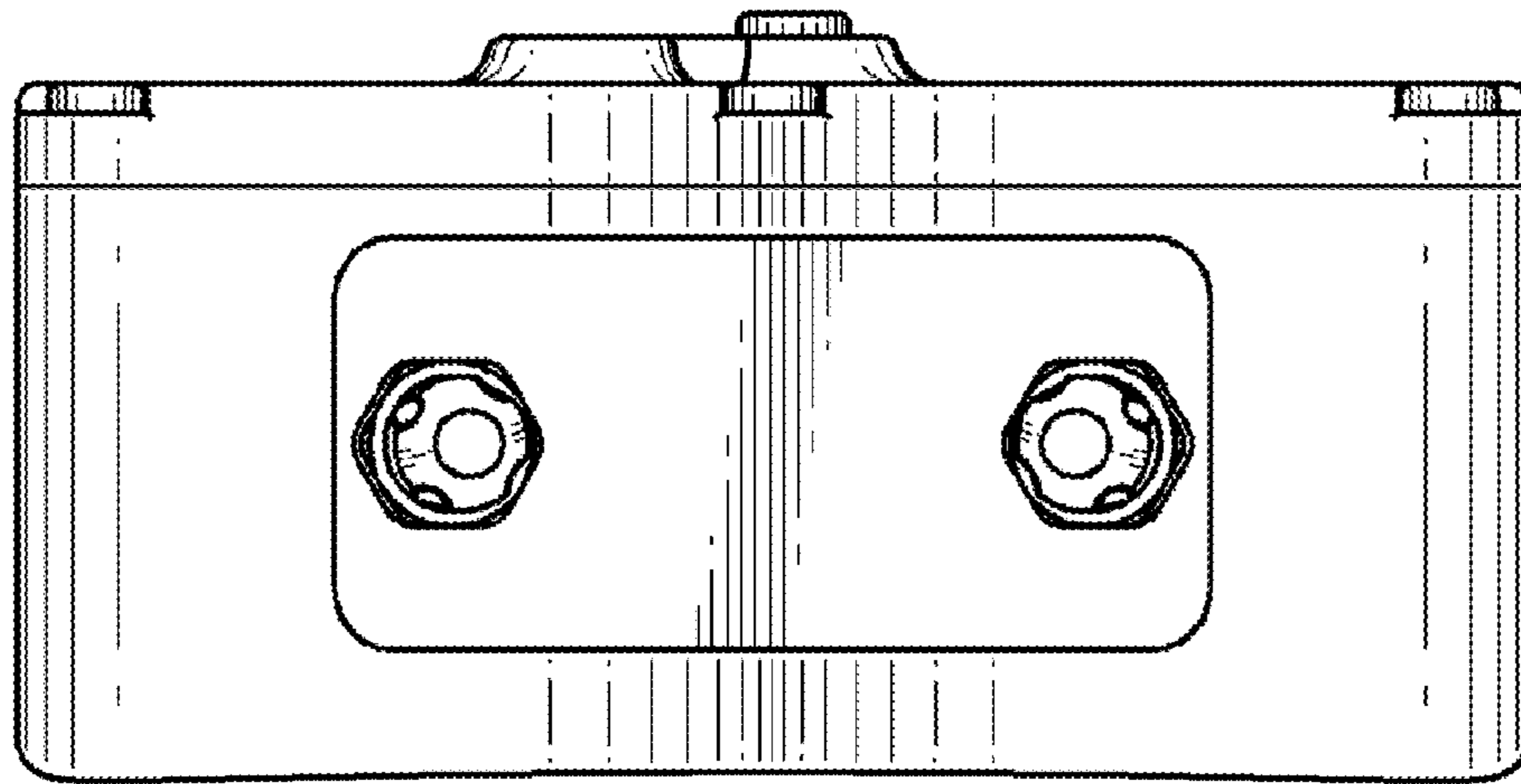


FIG. 6

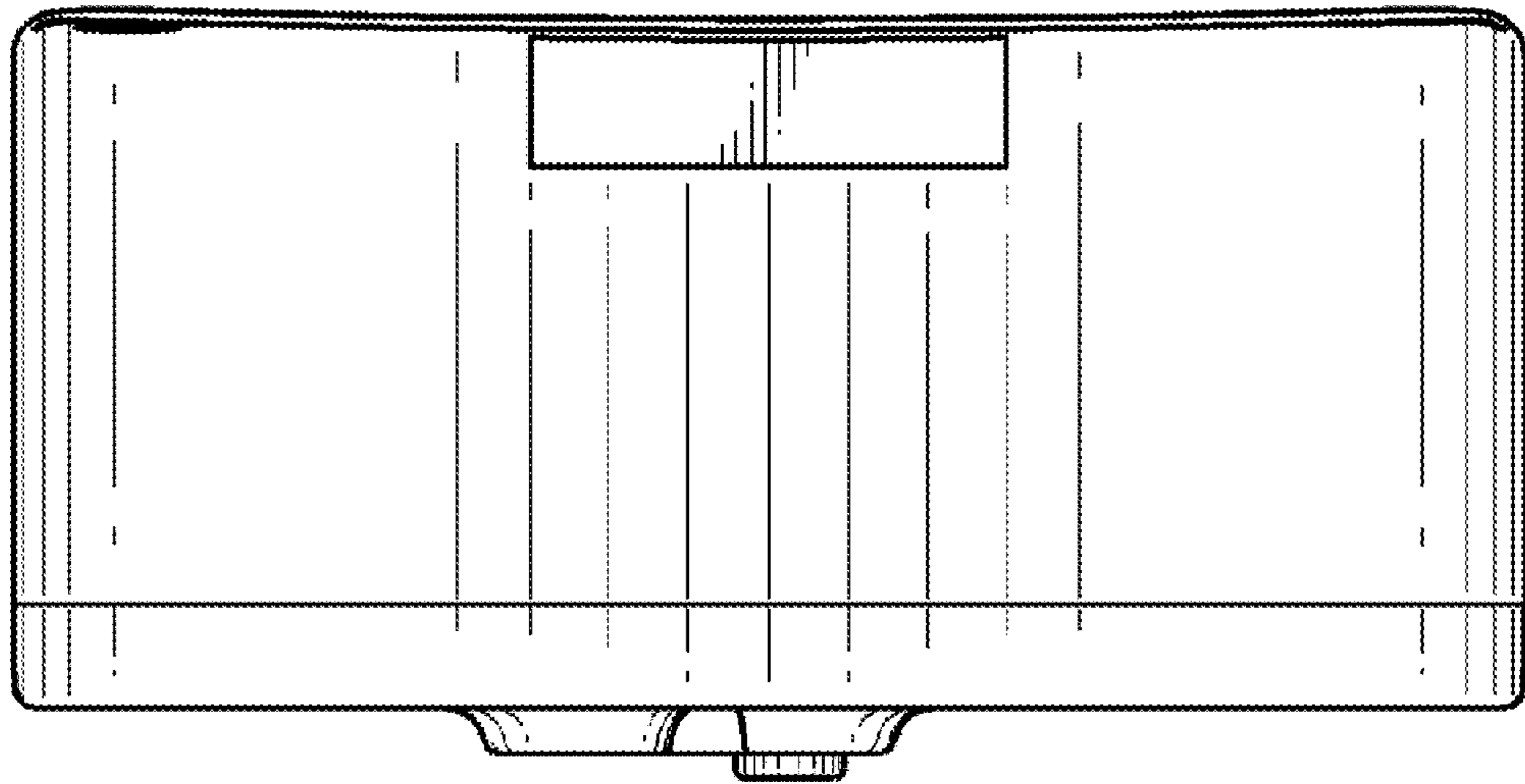


FIG. 7

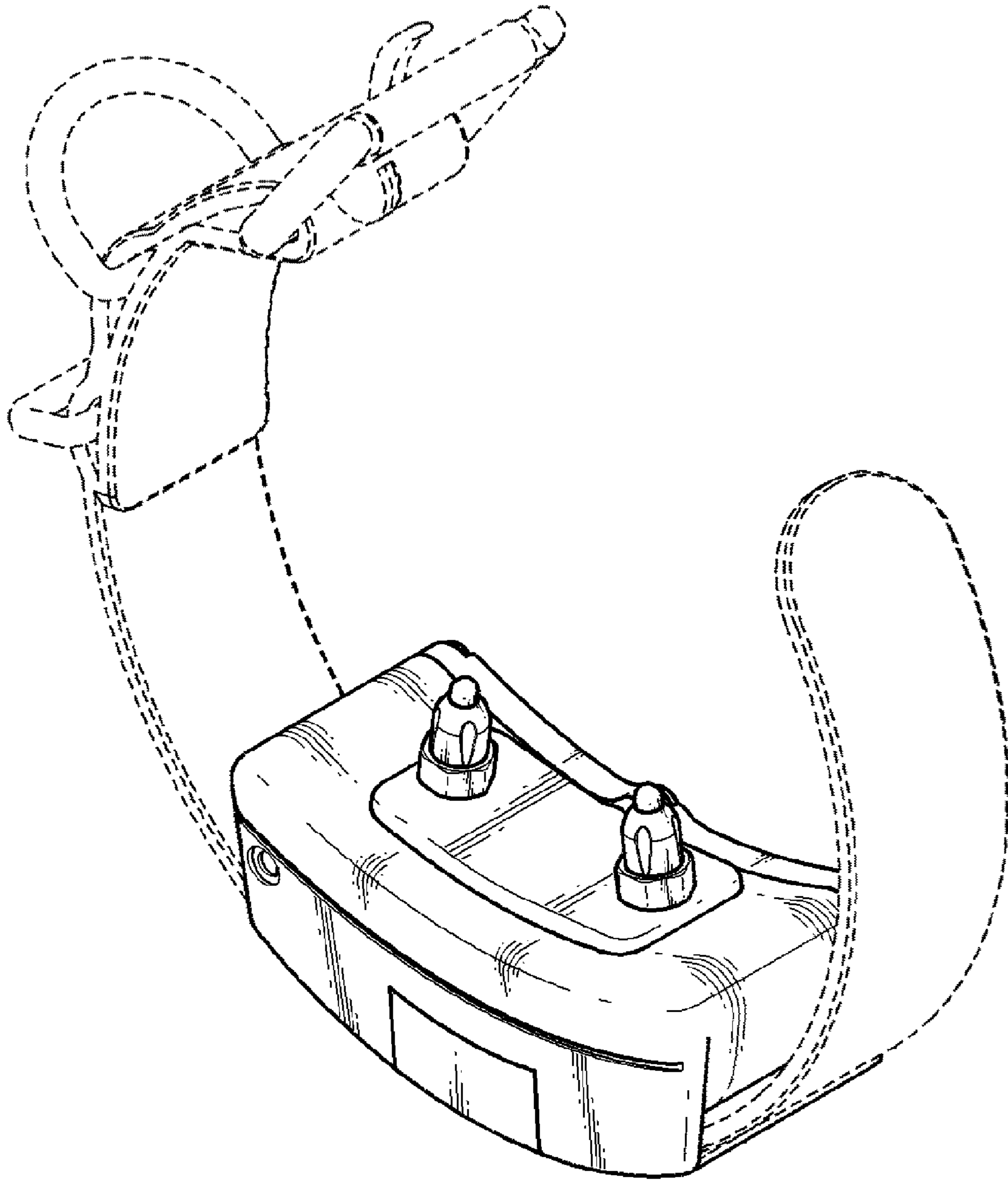


FIG. 8