



US00D657090S

(12) **United States Design Patent**
Kaule et al.

(10) **Patent No.:** **US D657,090 S**

(45) **Date of Patent:** **** Apr. 3, 2012**

(54) **ACCESSORY FOR A LIGHTING DEVICE**

(56)

References Cited

(75) Inventors: **Brian M. Kaule**, Cicero, NY (US);
David A. Spartano, Brunswick, OH
(US); **Scott W. Osiecki**, Skaneateles, NY
(US)

(73) Assignee: **Eveready Battery Company, Inc.**, St.
Louis, MO (US)

(**) Term: **14 Years**

(21) Appl. No.: **29/401,591**

(22) Filed: **Sep. 13, 2011**

U.S. PATENT DOCUMENTS

D119,815	S	*	4/1940	Zimmer	D26/128
D291,557	S	*	8/1987	Engel	D13/135
D341,441	S	*	11/1993	Shapiro	D26/118
5,400,231	A	*	3/1995	Huang	362/253
5,567,036	A	*	10/1996	Theobald et al.	362/485
5,570,948	A	*	11/1996	Menke et al.	362/191
D404,014	S	*	1/1999	Barnard et al.	D13/174
D425,024	S	*	5/2000	Klaus et al.	D13/134
6,288,498	B1	*	9/2001	Cheng	315/185 S
6,410,909	B1	*	6/2002	Rudolph et al.	250/231.13
6,491,413	B1	*	12/2002	Benesohn	362/294
D481,823	S	*	11/2003	McClow et al.	D26/113
D482,485	S	*	11/2003	Benghozi	D26/85

(Continued)

Related U.S. Application Data

(62) Division of application No. 29/341,279, filed on Aug.
3, 2009, now Pat. No. Des. 647,227.

(51) **LOC (9) Cl.** **26-99**

(52) **U.S. Cl.** **D26/138**

(58) **Field of Classification Search** D26/71,
D26/72, 74, 76, 75, 78, 113, 118, 119, 120,
D26/121, 122, 123, 124, 125, 126, 127, 128,
D26/130, 131, 2, 116, 88, 84, 82, 83, 85,
D26/86, 87, 89, 90, 91, 92, 141, 142, 144,
D26/145, 152, 153, 155, 138, 139, 140, 58,
D26/24, 22, 23, 25, 26, 27, 28, 29, 30, 62,
D26/63, 64, 65, 66, 67, 68, 69, 70, 60, 61,
D26/51, 52, 53, 54, 55, 56, 57; 362/373,
362/345, 362, 326, 363, 364, 365, 372, 253,
362/294, 374, 375, 371, 490, 491, 308, 309,
362/310, 311.06, 249.02, 235, 236, 473,
362/418, 419, 420, 321, 322, 323, 324, 325,
362/276; 250/342; D23/418, 366; 239/44,
239/43, 4, 45; D13/134, 179, 180

See application file for complete search history.

Primary Examiner — Kevin Rudzinski

(74) *Attorney, Agent, or Firm* — Michael C. Pophal

(57)

CLAIM

We claim the ornamental design for an accessory for a lighting device, as shown and described.

DESCRIPTION

FIG. 1 is a top perspective view of the accessory for a lighting device attached to a light engine.

FIG. 2 is a bottom perspective view of the accessory attached to a light engine.

FIG. 3 is a second bottom perspective view of the accessory.

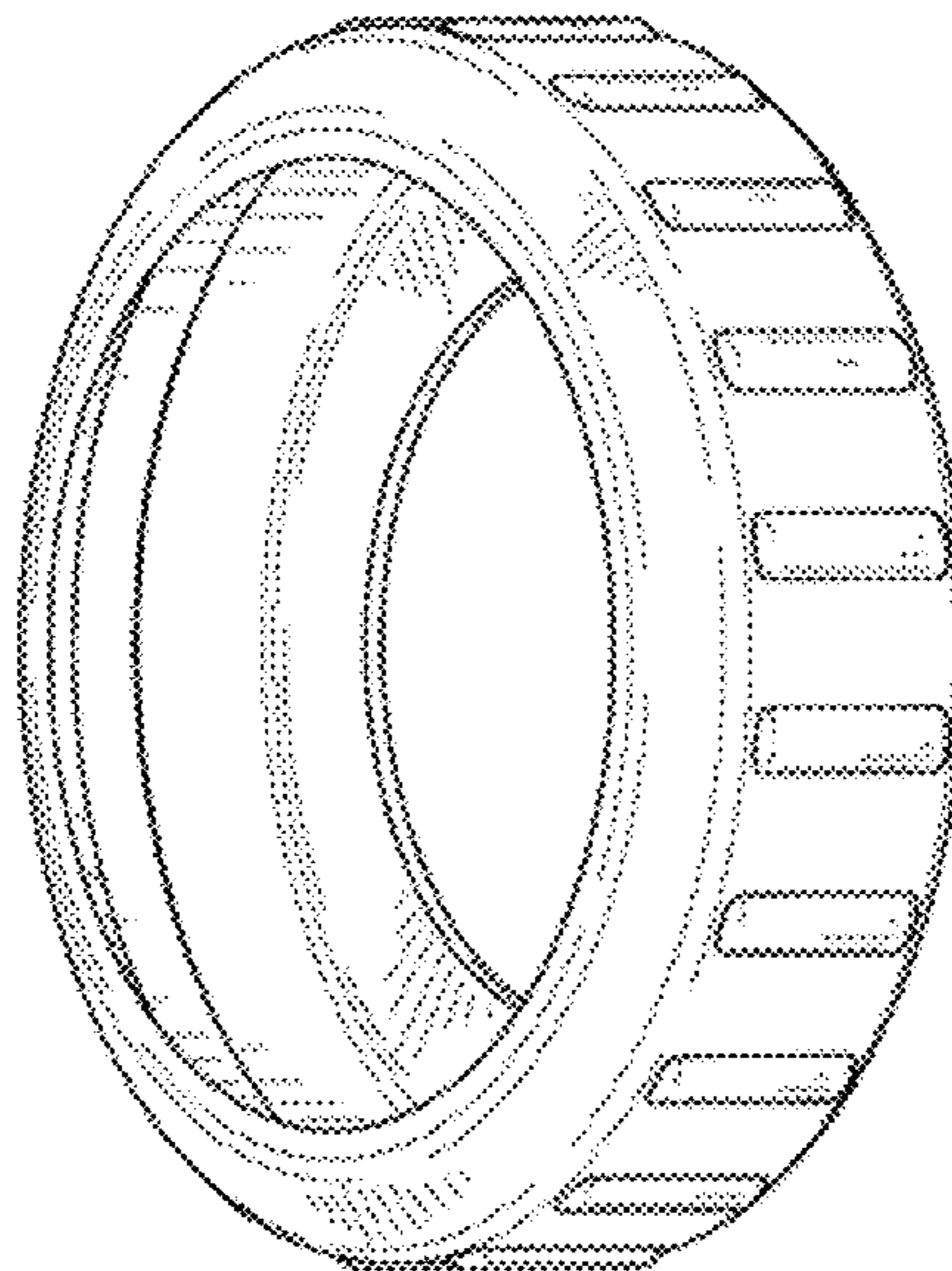
FIG. 4 is a top view of the accessory.

FIG. 5 is a bottom view of the accessory; and,

FIG. 6 is a right side view of the accessory. The left side view, front view and rear view are mirror images of the right side view.

The broken line illustration of a light engine shown in FIGS. 1 and 2 illustrates environmental structure and forms no part of the claimed design.

1 Claim, 2 Drawing Sheets



US D657,090 S

Page 2

U.S. PATENT DOCUMENTS

D486,940	S *	2/2004	Yiu	D26/138
6,877,875	B2 *	4/2005	Yu et al.	362/105
7,063,441	B2 *	6/2006	Kramer et al.	362/240
7,093,953	B1 *	8/2006	Dicke et al.	362/196
D544,618	S *	6/2007	Coushaine	D26/37
D562,492	S *	2/2008	Chen	D26/85
D567,987	S *	4/2008	Khubani	D26/85
D568,516	S *	5/2008	Hillard	D26/60
D574,095	S *	7/2008	Hill et al.	D26/26
D581,081	S *	11/2008	Mier-Langner	D26/72
D581,576	S *	11/2008	Montalbano et al.	D26/89
D599,921	S *	9/2009	Rivardo et al.	D26/24
D601,744	S *	10/2009	Sakuma	D26/89
D606,502	S *	12/2009	Chen et al.	D13/179
D607,600	S *	1/2010	Keith	D26/85
D616,129	S *	5/2010	Sanoner	D26/67
D618,848	S *	6/2010	Campagna	D26/124
D629,709	S *	12/2010	Bulman- Fleming et al.	D10/114.8
D642,722	S *	8/2011	Oberpriller	D26/67
D647,227	S *	10/2011	Kaule et al.	D26/24
2006/0176703	A1 *	8/2006	Cayton et al.	362/350
2007/0253192	A1 *	11/2007	Monteiro et al.	362/147
2011/0019409	A1 *	1/2011	Wronski	362/235

* cited by examiner

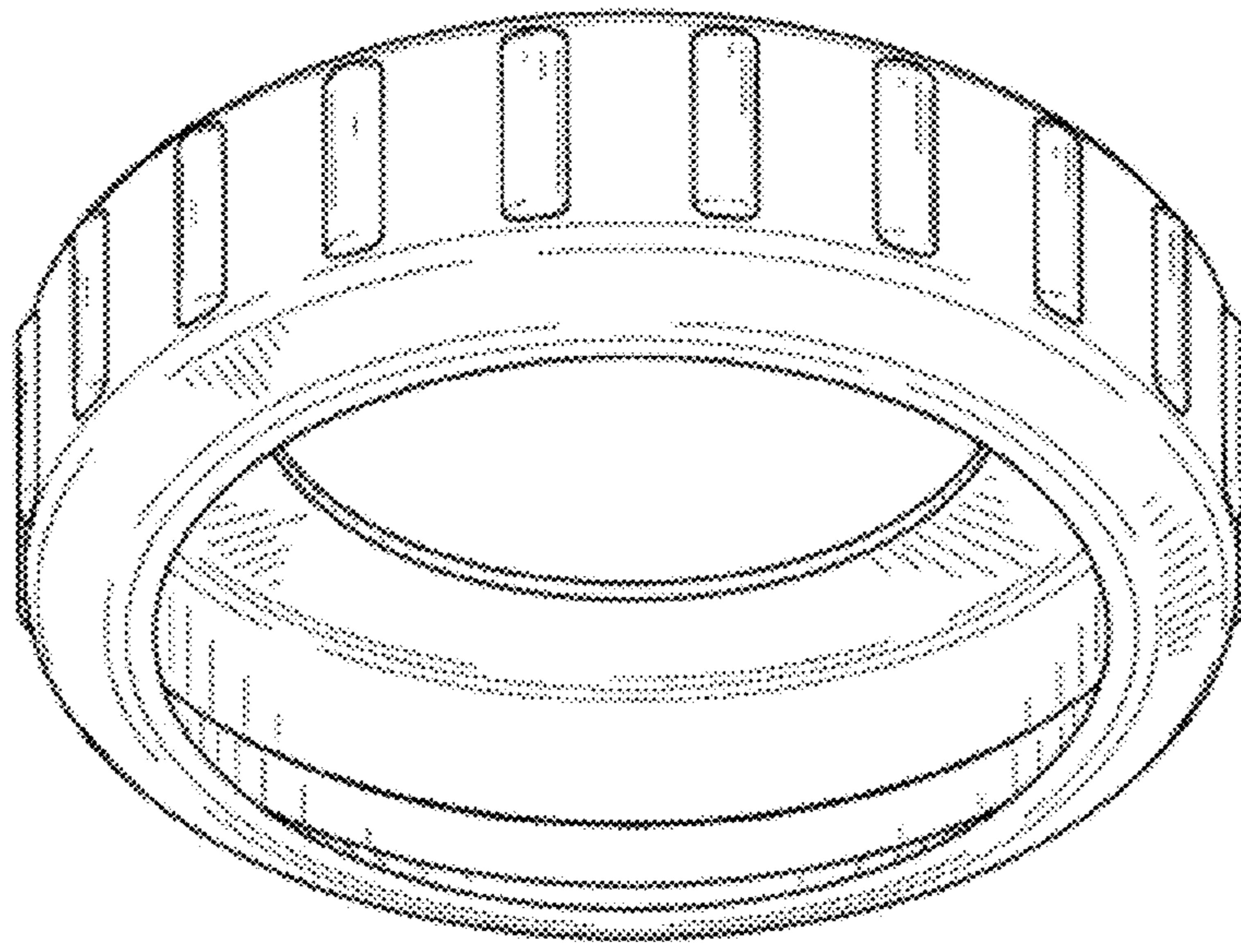


Fig. 3

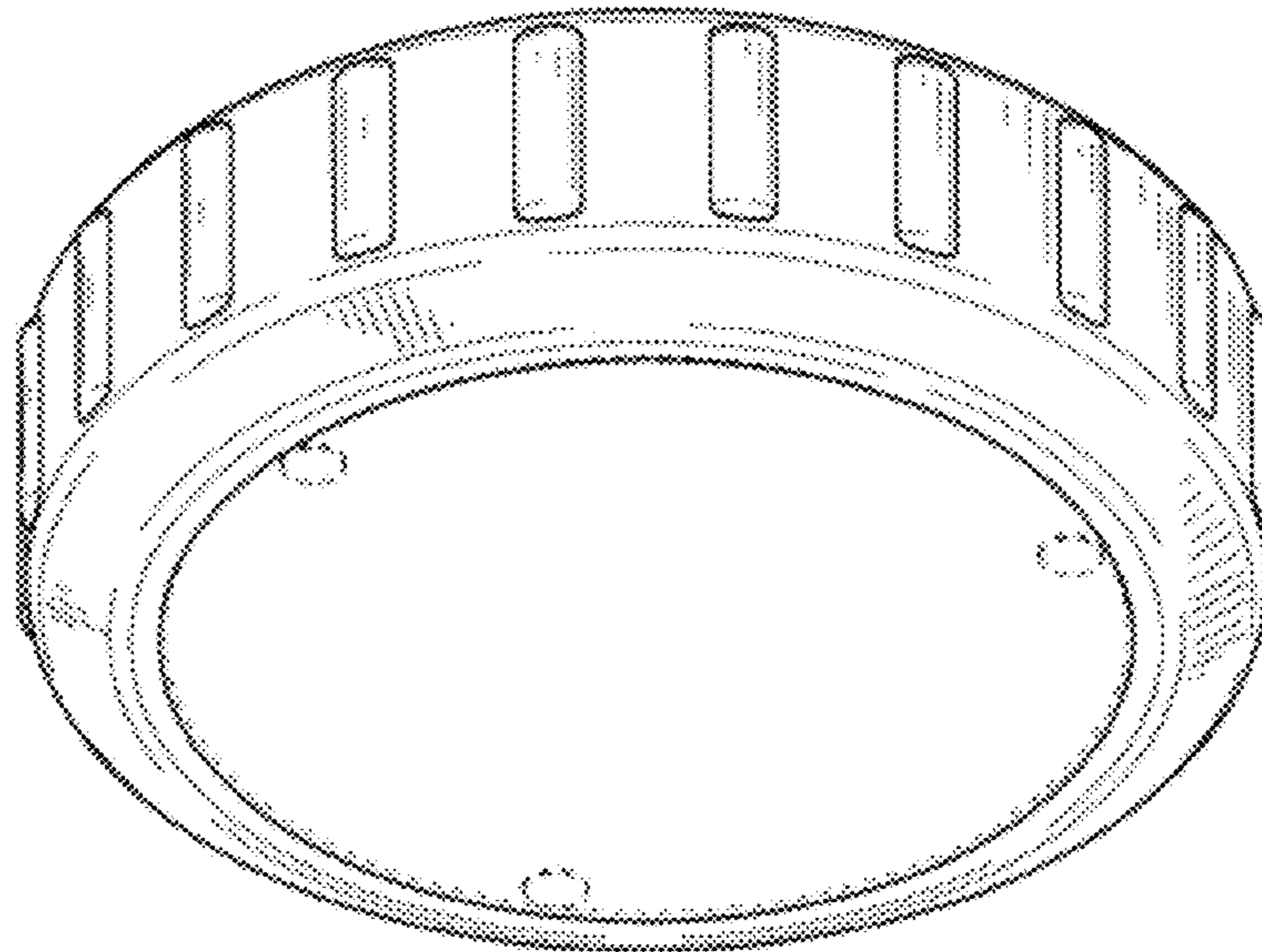


Fig. 2

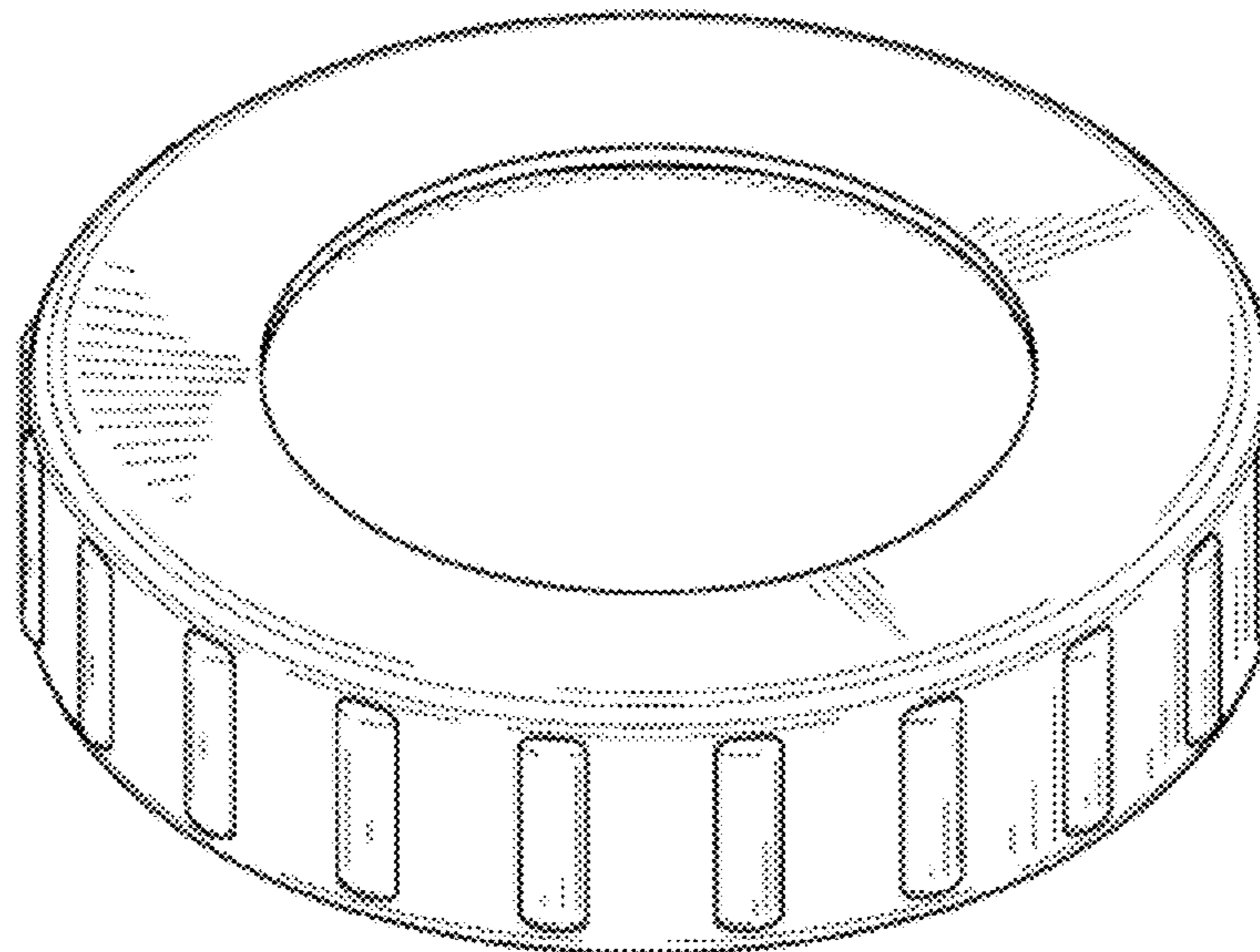


Fig. 1

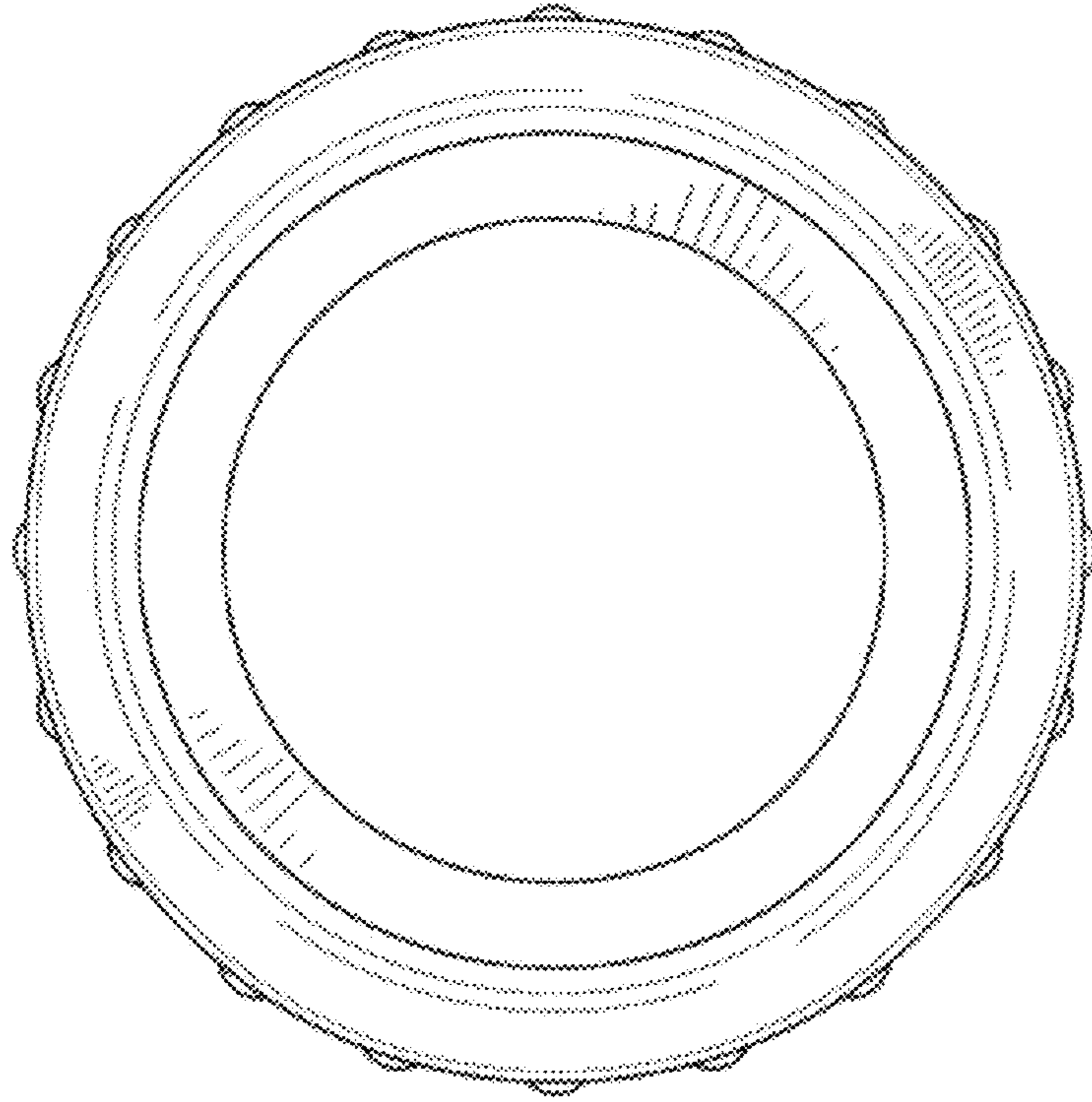


Fig. 5

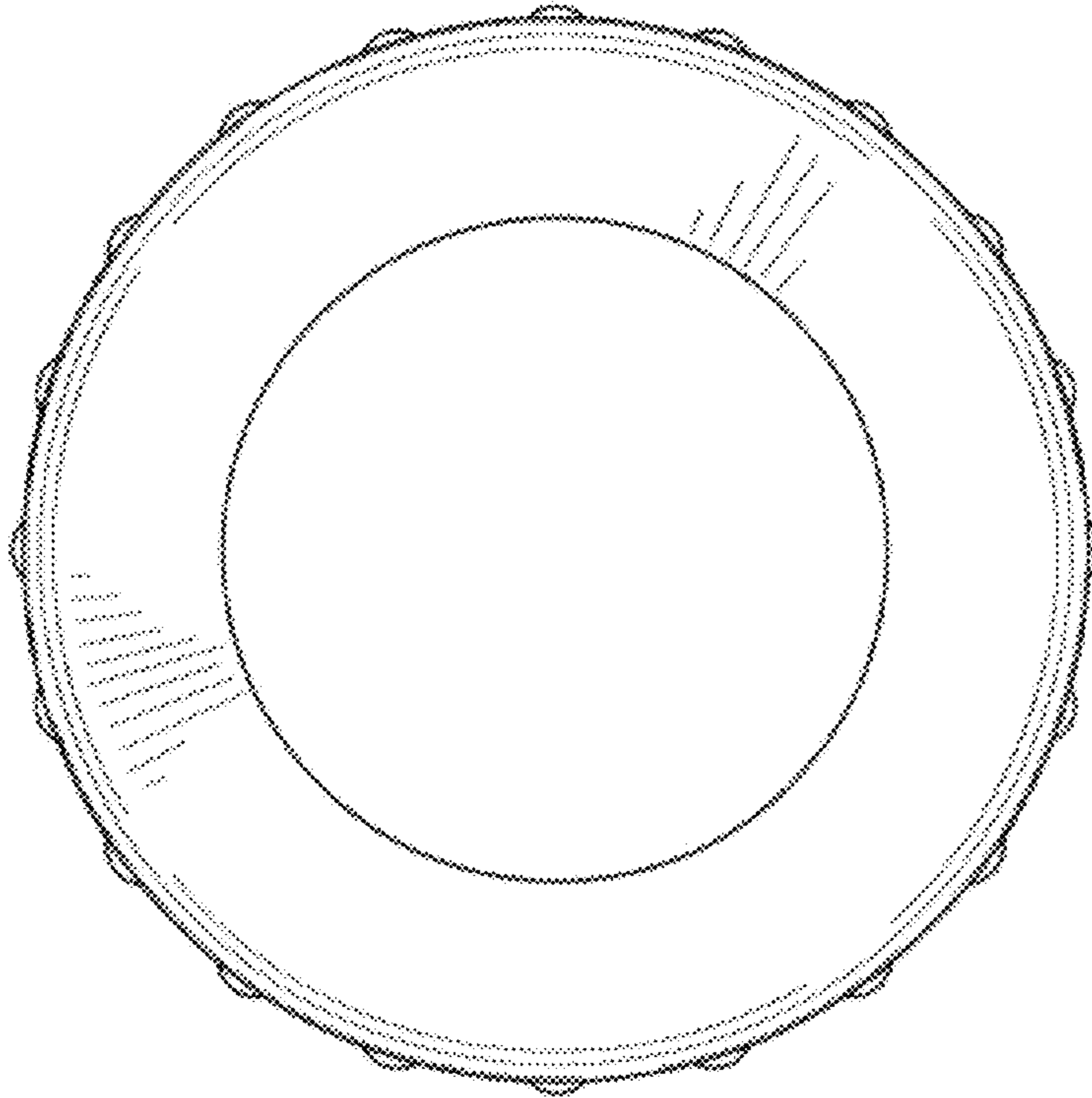


Fig. 4

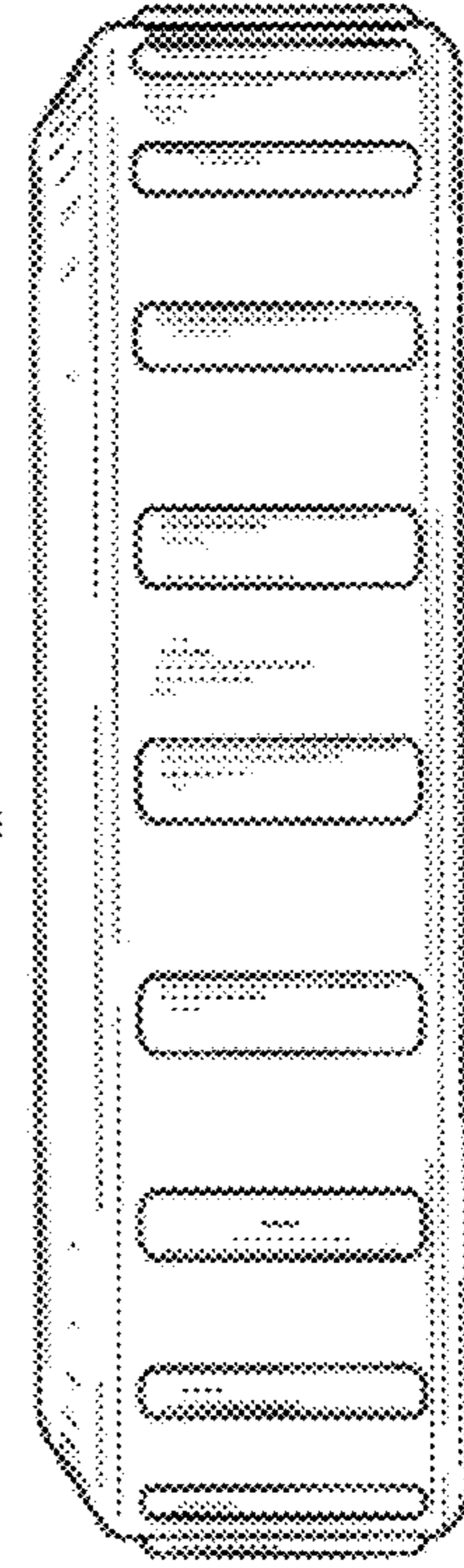


Fig. 6