



US00D657089S

(12) **United States Design Patent**  
**Kong**

(10) **Patent No.:** **US D657,089 S**

(45) **Date of Patent:** **\*\* Apr. 3, 2012**

(54) **LED LAMP**

(75) Inventor: **Kyung-II Kong**, Seoul (KR)

(73) Assignee: **LG Innotek Co., Ltd.**, Seoul (KR)

(\*\*) Term: **14 Years**

(21) Appl. No.: **29/376,786**

(22) Filed: **Oct. 12, 2010**

(30) **Foreign Application Priority Data**

Apr. 10, 2010	(KR)	.....	30-2010-0015905
Apr. 10, 2010	(KR)	.....	30-2010-0015906
Apr. 10, 2010	(KR)	.....	30-2010-0015907
Apr. 10, 2010	(KR)	.....	30-2010-0015908

(51) **LOC (9) Cl.** ..... **26-03**

(52) **U.S. Cl.** ..... **D26/89**

(58) **Field of Classification Search** ..... D26/24,  
D26/72, 85, 89; D13/179; 313/46; 361/697,  
361/704; 362/294, 373, 547, 147, 311.01  
See application file for complete search history.

(56) **References Cited**

**U.S. PATENT DOCUMENTS**

D163,812	S *	7/1951	Mehr	.....	D26/63
5,794,685	A *	8/1998	Dean	.....	165/121
D428,857	S *	8/2000	Wagner et al.	.....	D13/179
D481,688	S *	11/2003	Lee et al.	.....	D13/179
D488,880	S *	4/2004	Rahn	.....	D26/72
6,779,593	B1 *	8/2004	Hegde	.....	165/80.3
D544,127	S *	6/2007	Posey et al.	.....	D26/74

D570,301	S *	6/2008	Watanabe et al.	.....	D13/179
D575,749	S *	8/2008	Hwang et al.	.....	D13/179
7,425,084	B2 *	9/2008	Ruud et al.	.....	362/298
D593,042	S *	5/2009	Yamashita et al.	.....	D13/179
D593,963	S *	6/2009	Plonski et al.	.....	D13/179

(Continued)

**FOREIGN PATENT DOCUMENTS**

JP 1322315 2/2008

**OTHER PUBLICATIONS**

Notice on Grounds for Rejection dated Apr. 5, 2011. (2010-024328).

*Primary Examiner* — Clare E Heflin

(74) *Attorney, Agent, or Firm* — Ked & Associates LLP

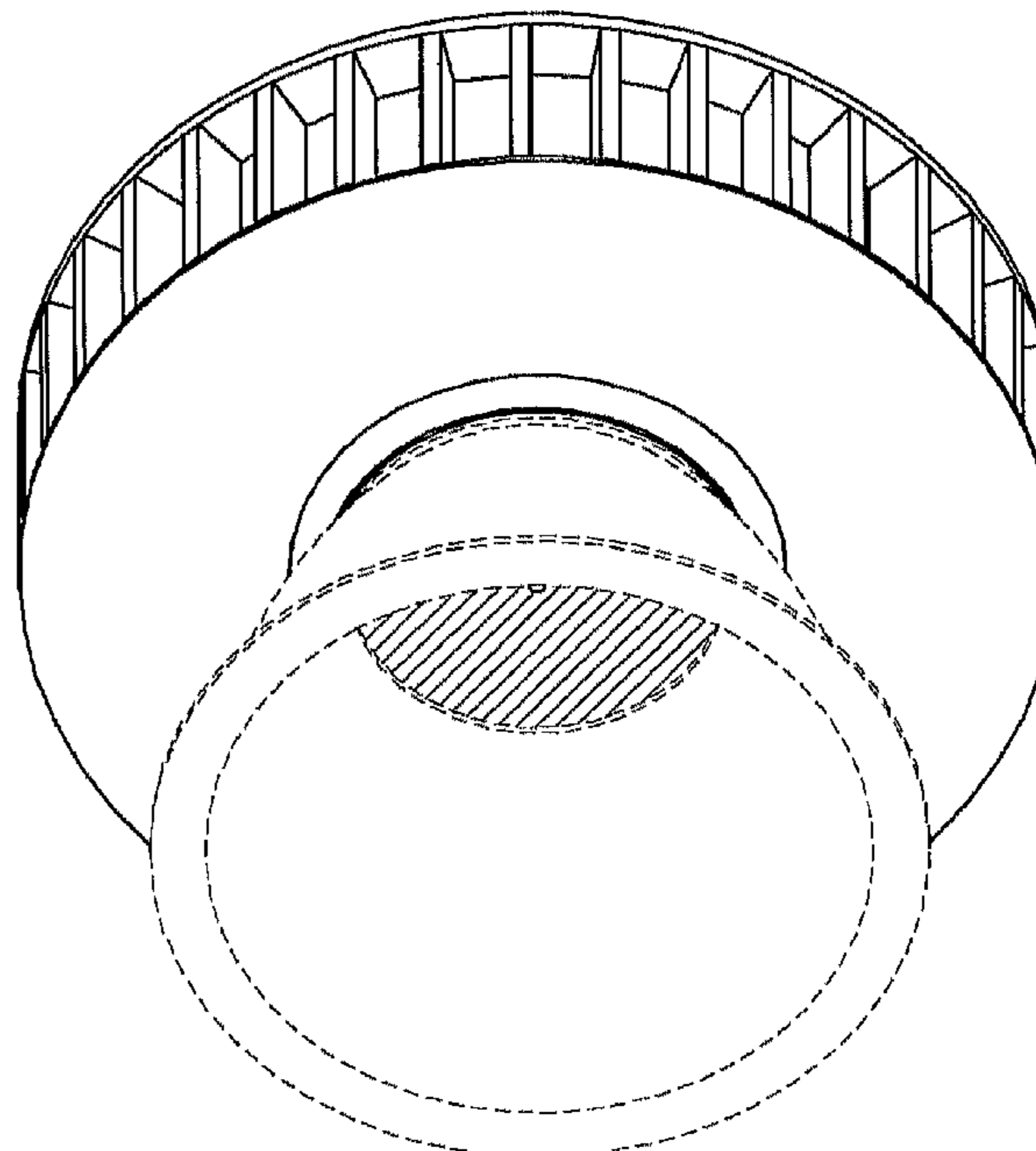
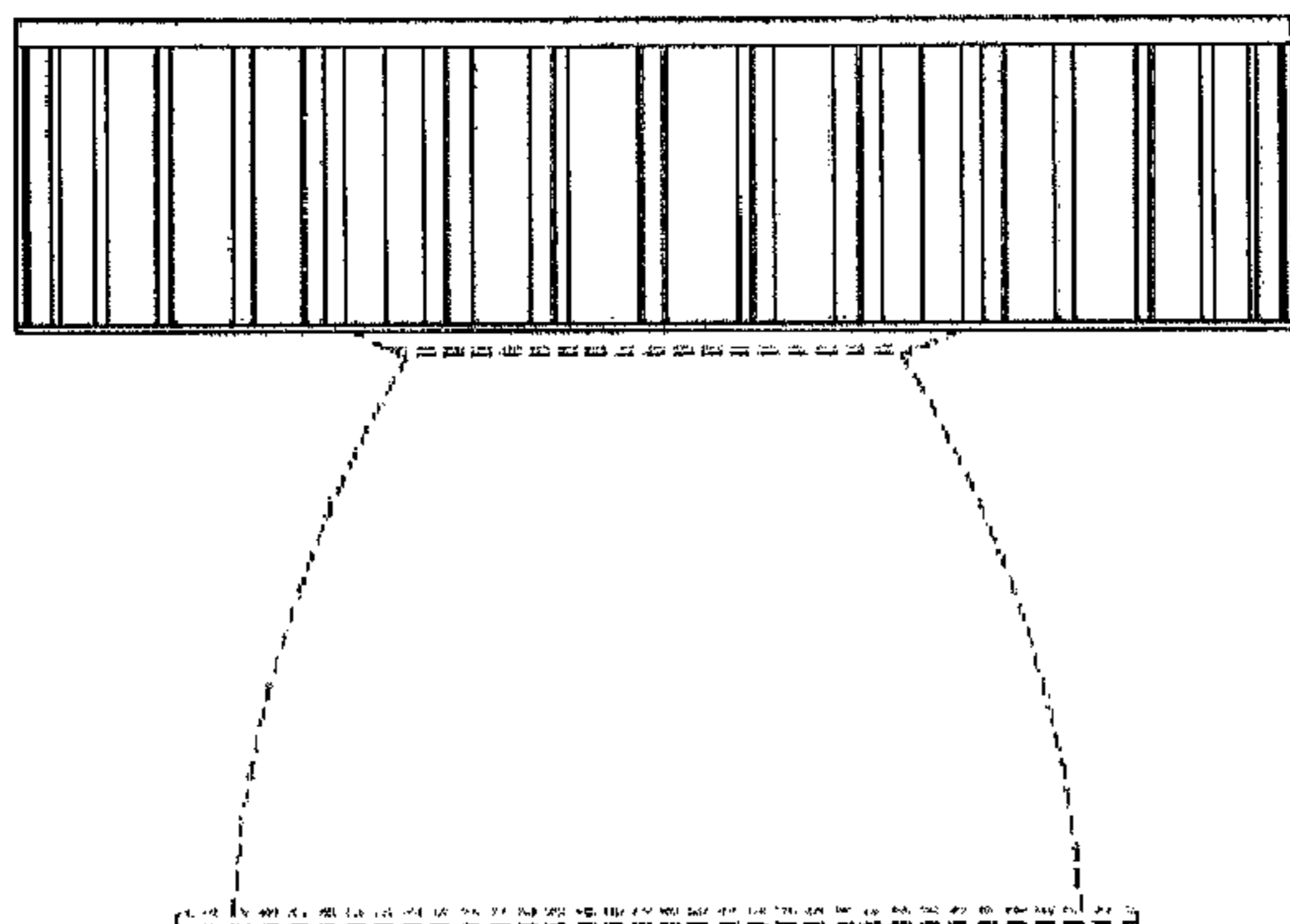
(57) **CLAIM**

We claim the ornamental design for a "LED lamp," as shown and described.

**DESCRIPTION**

FIG. 1 is a front perspective view of a LED lamp showing my design according to another embodiment;  
FIG. 2 is a front view of the LED lamp of FIG. 1;  
FIG. 3 is a rear view of the LED lamp of FIG. 1;  
FIG. 4 is a left side view of the LED lamp of FIG. 1;  
FIG. 5 is a right side view of the LED lamp of FIG. 1;  
FIG. 6 is a top view of the LED lamp of FIG. 1;  
FIG. 7 is a bottom view of the LED lamp of FIG. 1; and,  
FIG. 8 is a bottom perspective view of the LED lamp of FIG. 1, showing a circumferential light emitting surface and a conical shaped reflector in broken lines.  
The broken lines shown on the drawings depict environment only and form no part of the claimed design.

**1 Claim, 4 Drawing Sheets**



# US D657,089 S

Page 2

---

## U.S. PATENT DOCUMENTS

D606,502 S *	12/2009	Chen et al. ....	D13/179	D627,727 S *	11/2010	Alexander et al. ....	D13/134
D615,503 S *	5/2010	Otsuki et al. ....	D13/179	D645,007 S *	9/2011	Alexander ....	D13/179
D618,633 S *	6/2010	Lin .....	D13/179	2006/0196636 A1 *	9/2006	Liu .....	165/80.3
7,784,973 B2 *	8/2010	Zhang et al. ....	362/294	2006/0213642 A1 *	9/2006	Lai .....	165/80.3
D627,502 S *	11/2010	Zheng et al. ....	D26/72				

\* cited by examiner

Figure 1

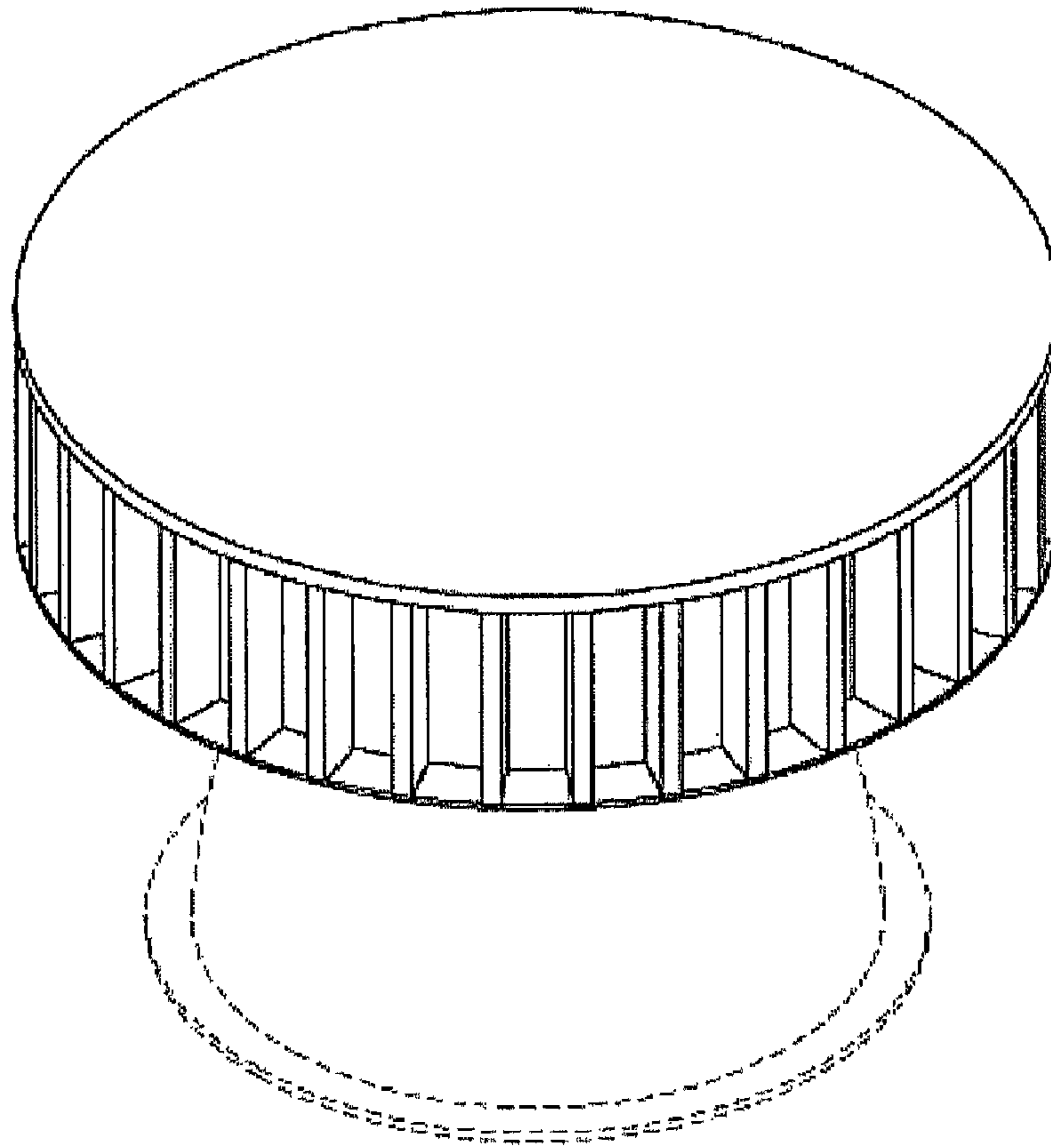


Figure 2

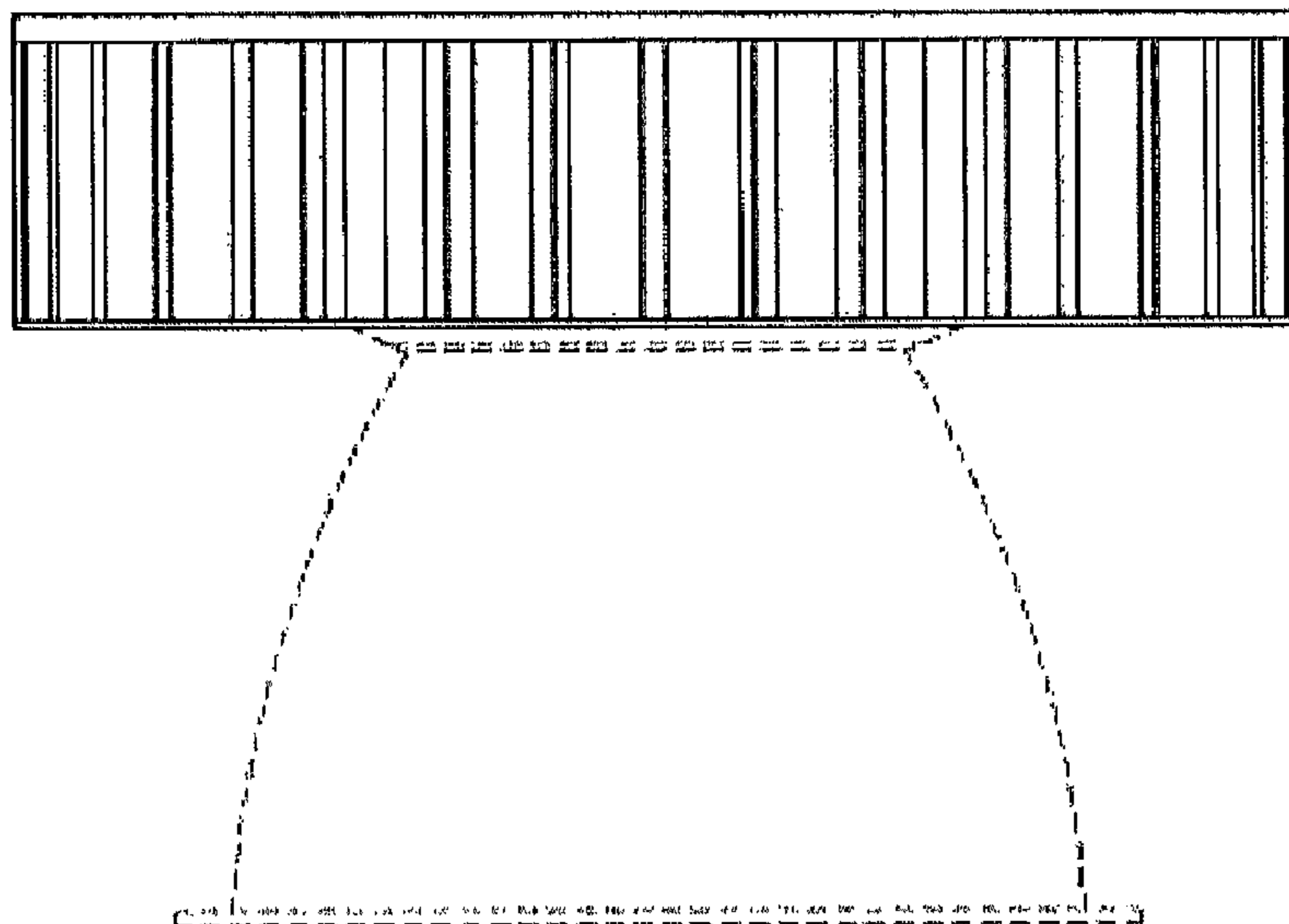


Figure 3

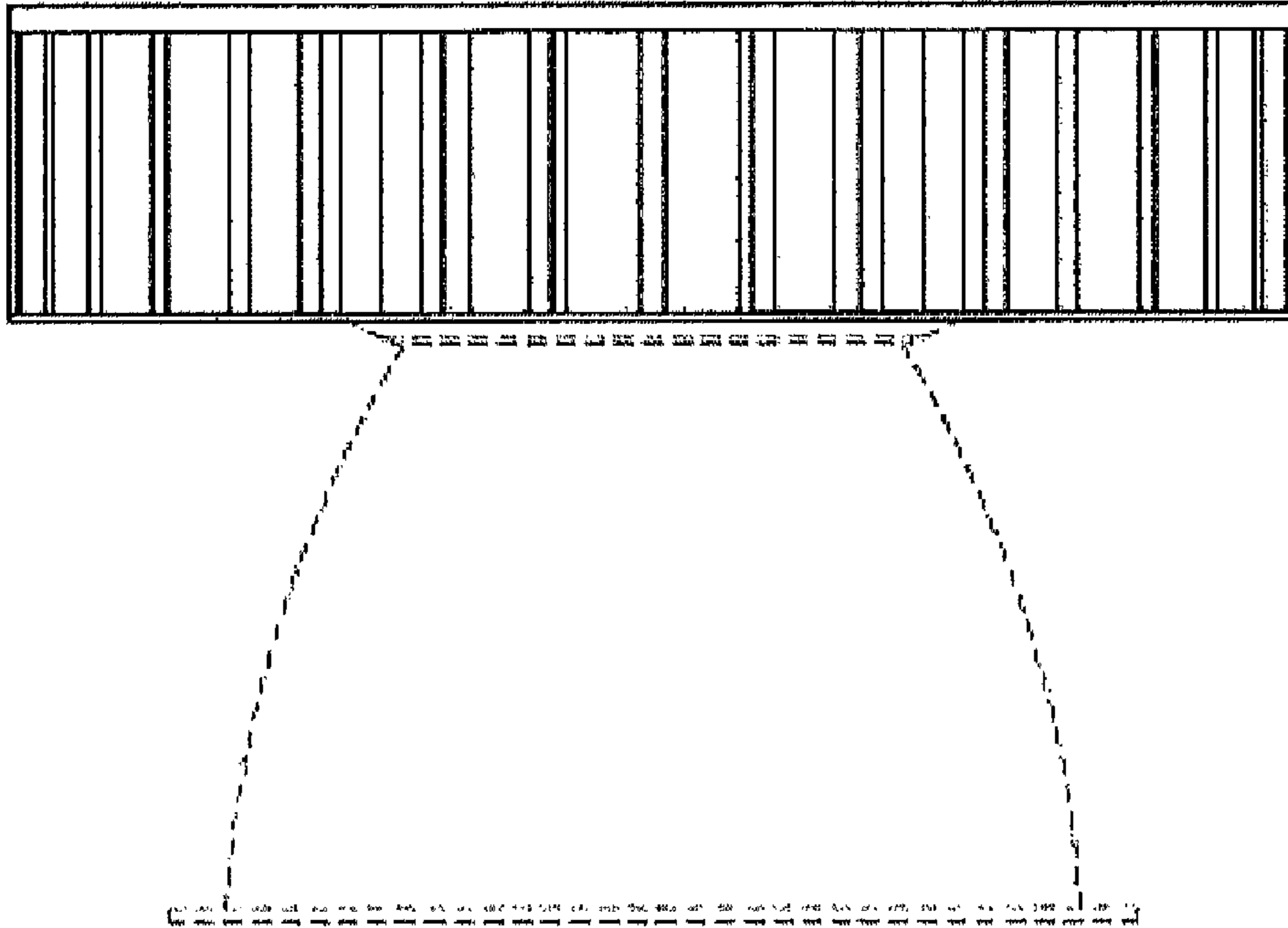


Figure 4

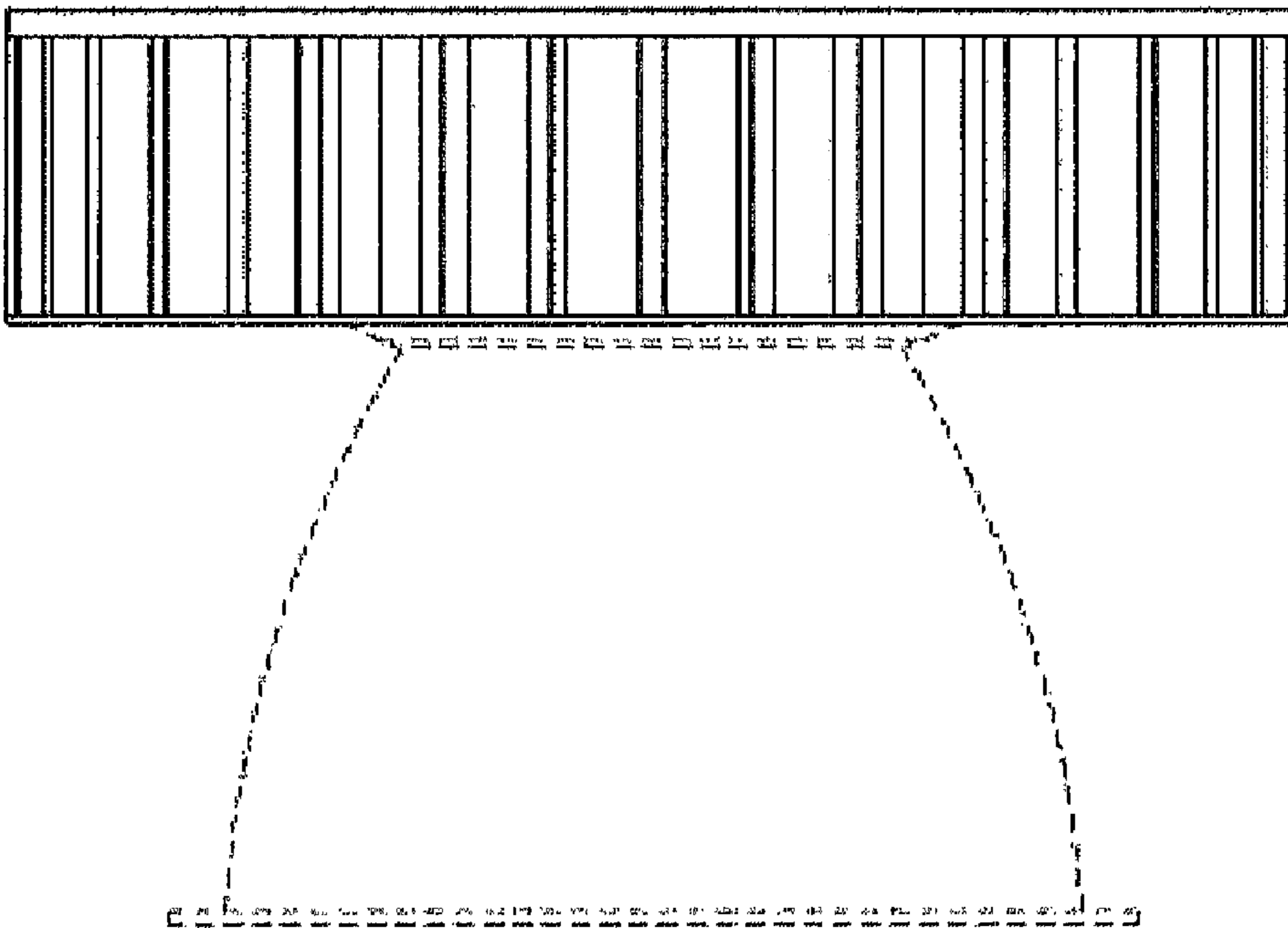


Figure 5

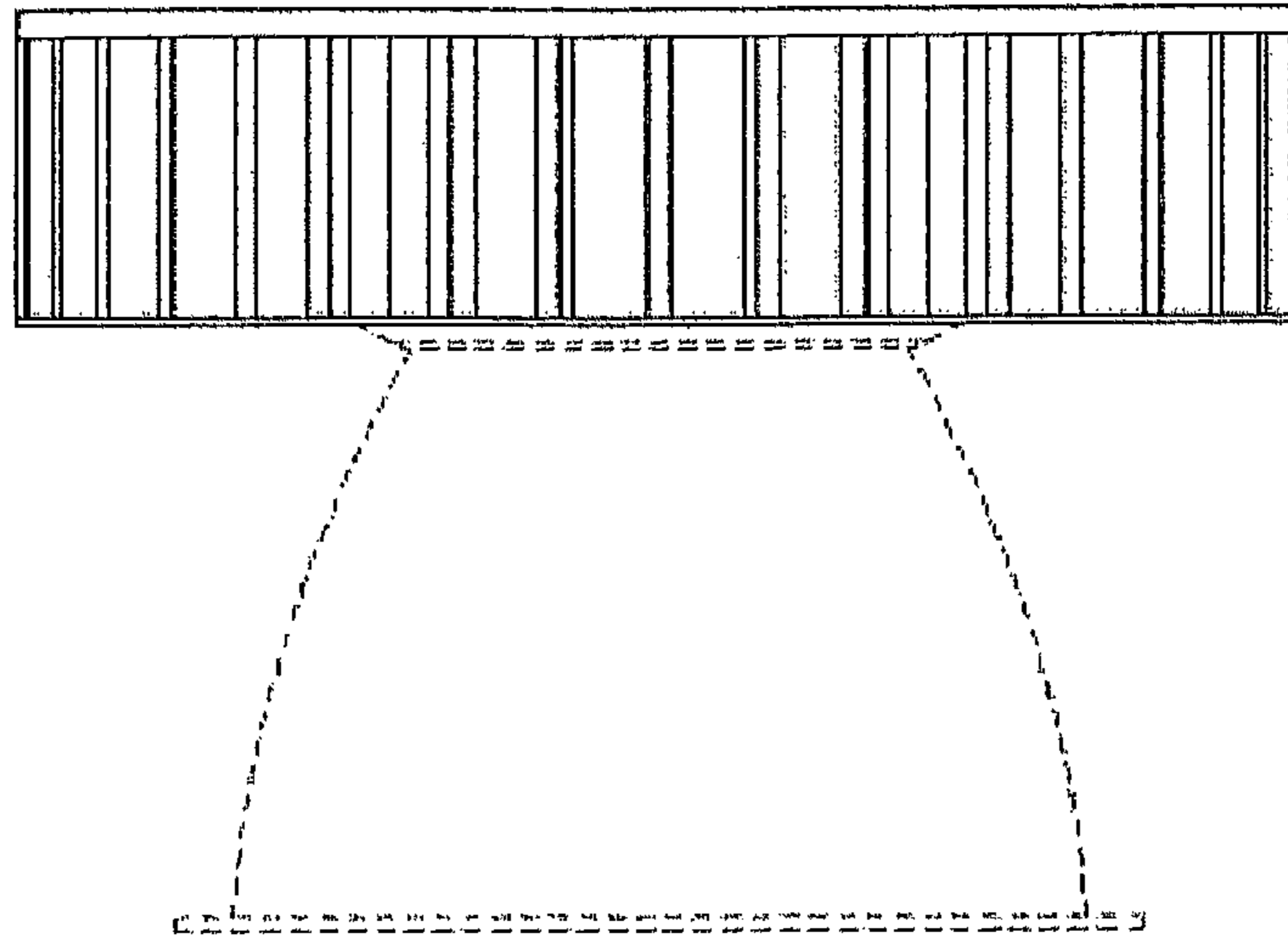


Figure 6

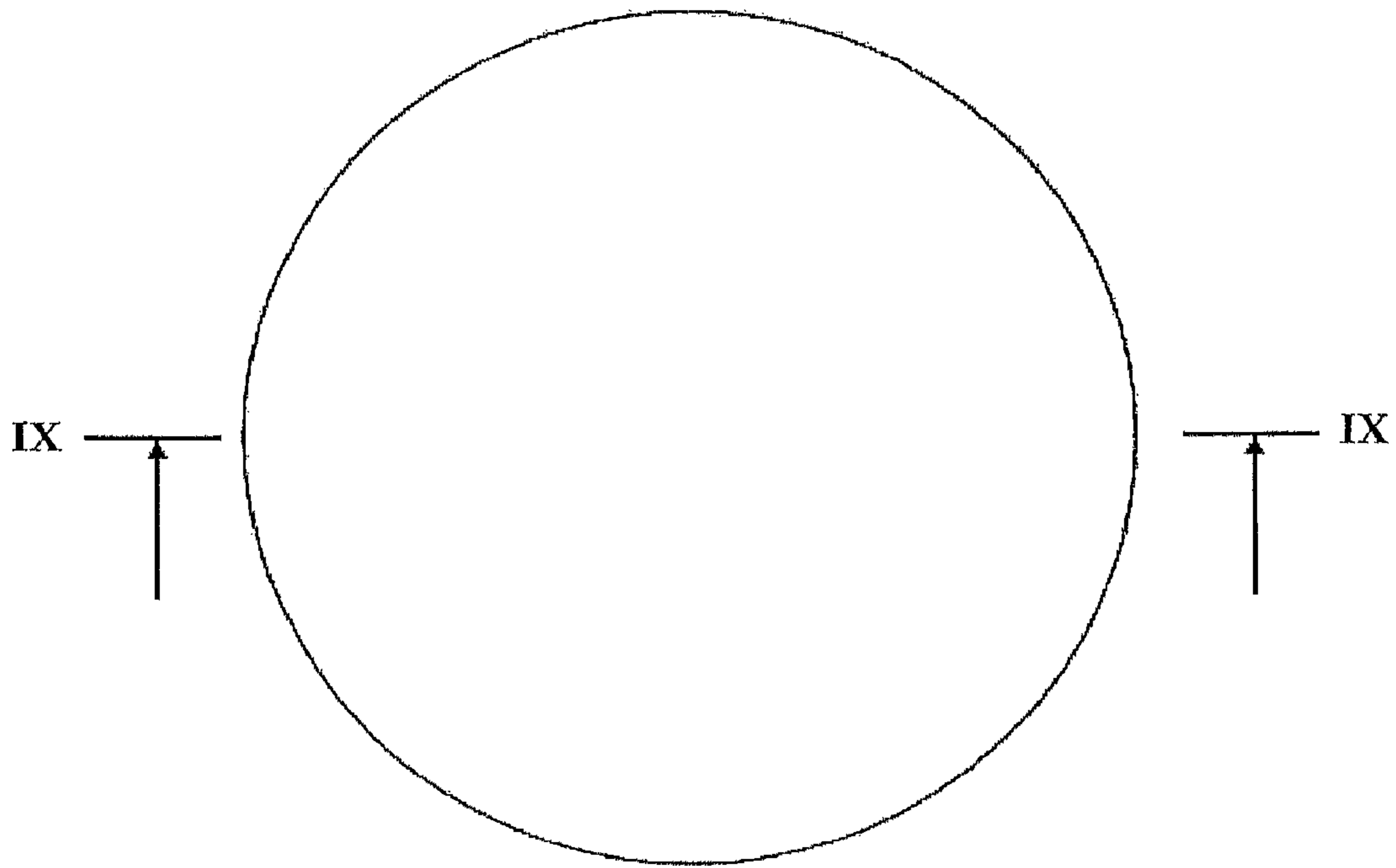


Figure 7

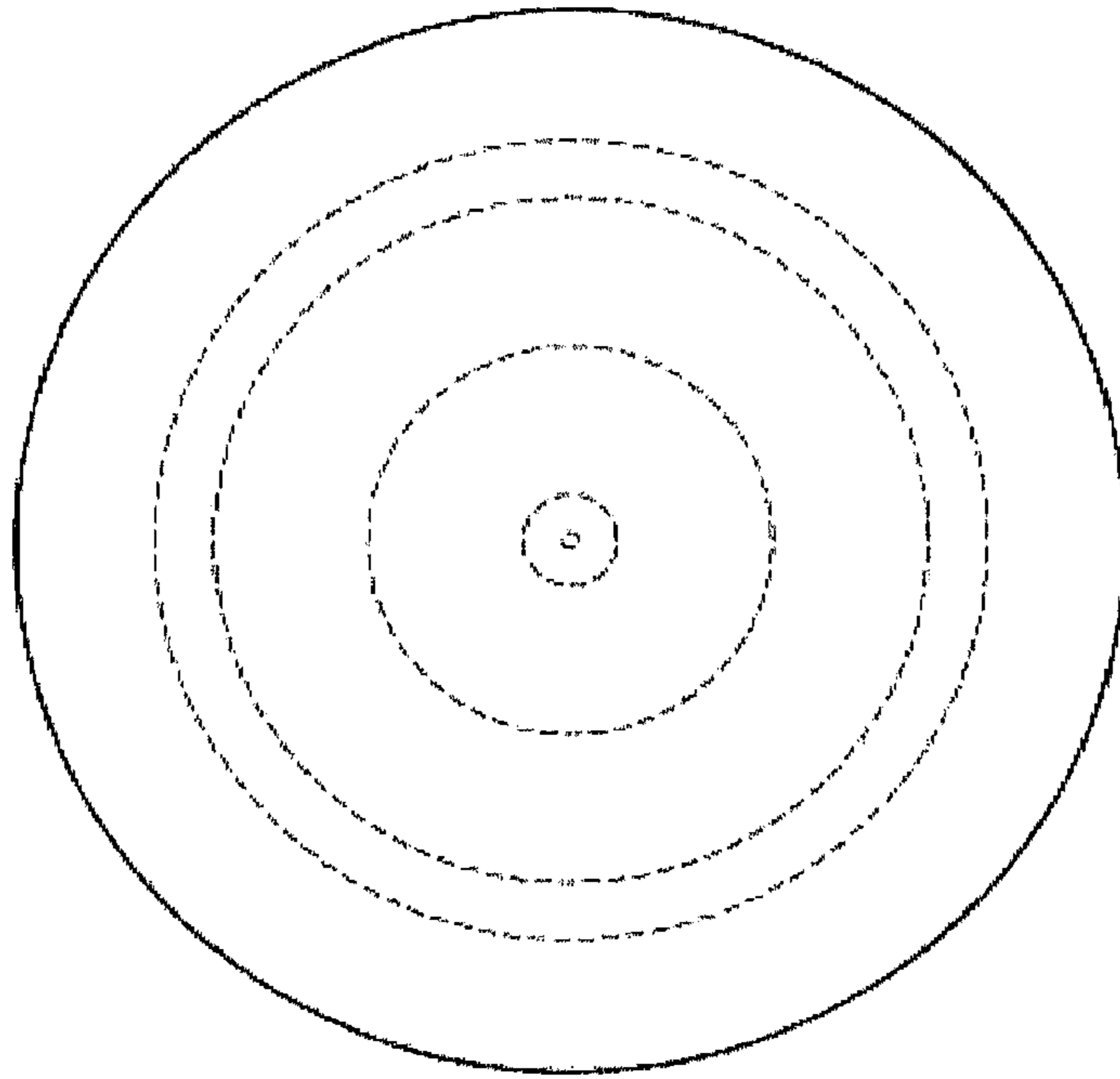


Figure 8

