



US00D657088S

(12) **United States Design Patent**
Miró

(10) **Patent No.:** **US D657,088 S**

(45) **Date of Patent:** **** Apr. 3, 2012**

(54) **LAMP**

(75) **Inventor:** **Salvi Plaja I Miró**, Barcelona (ES)

(73) **Assignee:** **Santa & Cole Neoseries S.L.**, Barcelona (ES)

(**) **Term:** **14 Years**

(21) **Appl. No.:** **29/371,379**

(22) **Filed:** **Jan. 24, 2011**

(30) **Foreign Application Priority Data**

Jul. 24, 2010 (EM) 001735762-0002

(51) **LOC (9) Cl.** **26-03**

(52) **U.S. Cl.** **D26/89; D26/85**

(58) **Field of Classification Search** D26/72,
D26/79, 80, 83, 85, 86, 88, 89, 91, 120, 134-136;
362/147, 294, 351, 356, 453-457, 404-408,
362/432

See application file for complete search history.

(56) **References Cited**

U.S. PATENT DOCUMENTS

D169,972 S * 7/1953 Glatthar et al. D26/89

D217,636 S * 5/1970 Mori D26/134

D343,250 S *	1/1994	Fouke et al.	D26/88
D465,599 S *	11/2002	Thompson	D26/89
D514,733 S *	2/2006	Benensohn	D26/89
D556,938 S *	12/2007	Russello et al.	D26/89
7,611,264 B1 *	11/2009	Chang et al.	362/249.02
D611,650 S *	3/2010	Broekhoff	D26/134
D627,912 S *	11/2010	Mo	D26/72
D639,996 S *	6/2011	Stolte et al.	D26/89
D642,316 S *	7/2011	Zheng et al.	D26/72

* cited by examiner

Primary Examiner — Clare E Heflin

(74) *Attorney, Agent, or Firm* — Staas & Halsey LLP

(57) **CLAIM**

The ornamental design for a lamp, as shown and described.

DESCRIPTION

FIG. 1 is a top perspective view of the lamp showing my design;

FIG. 2 is a bottom perspective view thereof;

FIG. 3 is a front view thereof;

FIG. 4 is a top view thereof;

FIG. 5 is a right view thereof, the left side being identical; and,

FIG. 6 is a bottom view.

1 Claim, 6 Drawing Sheets

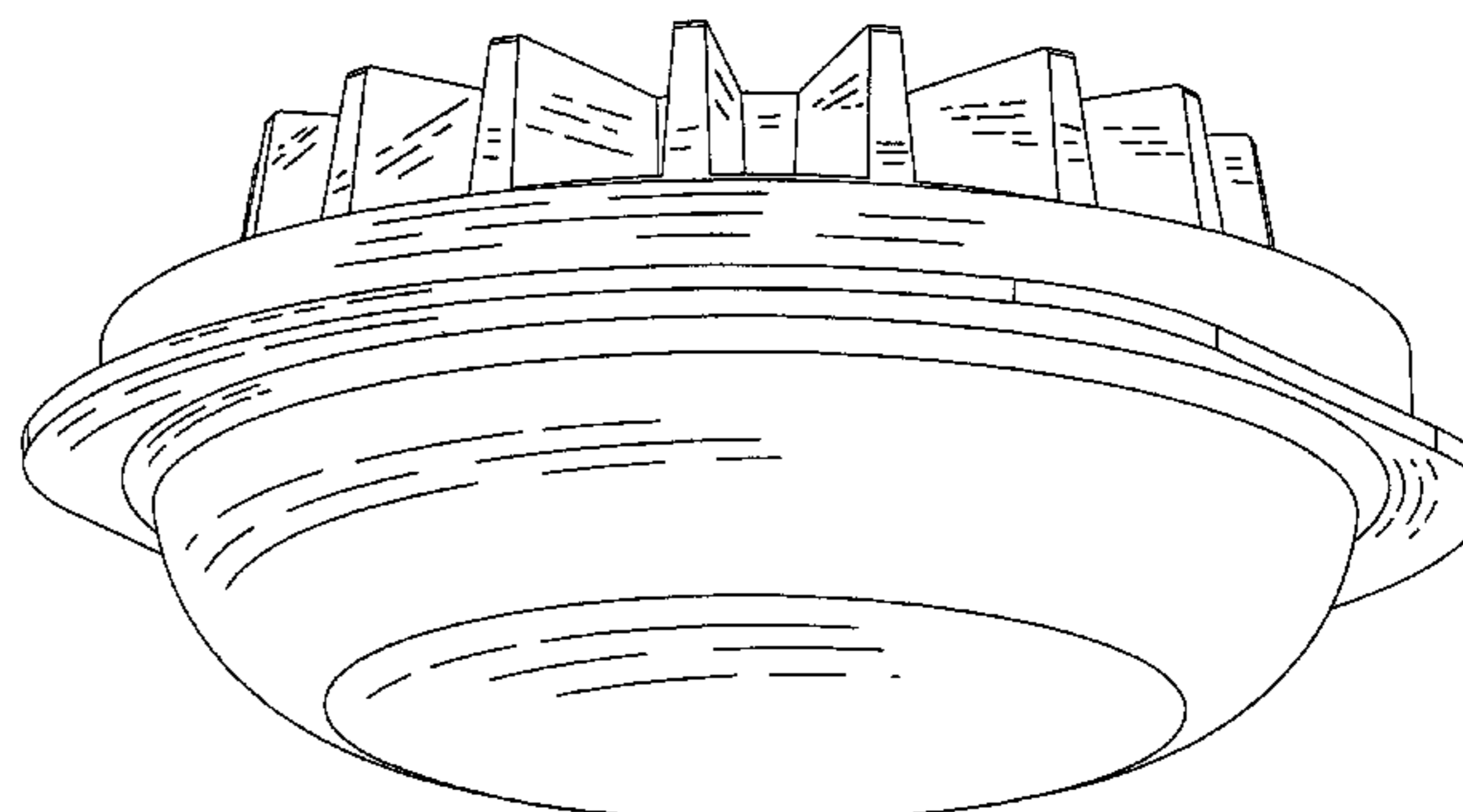
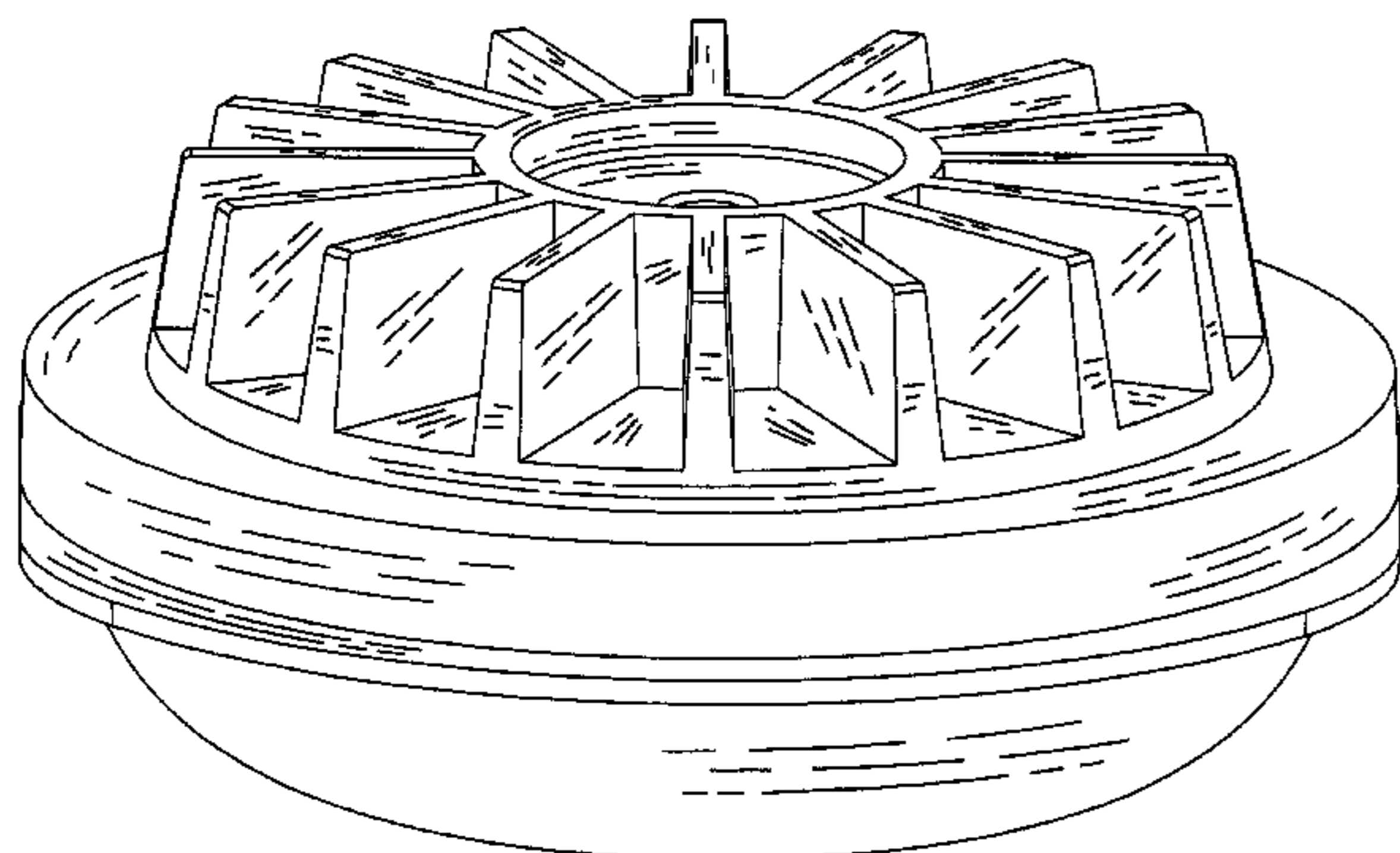
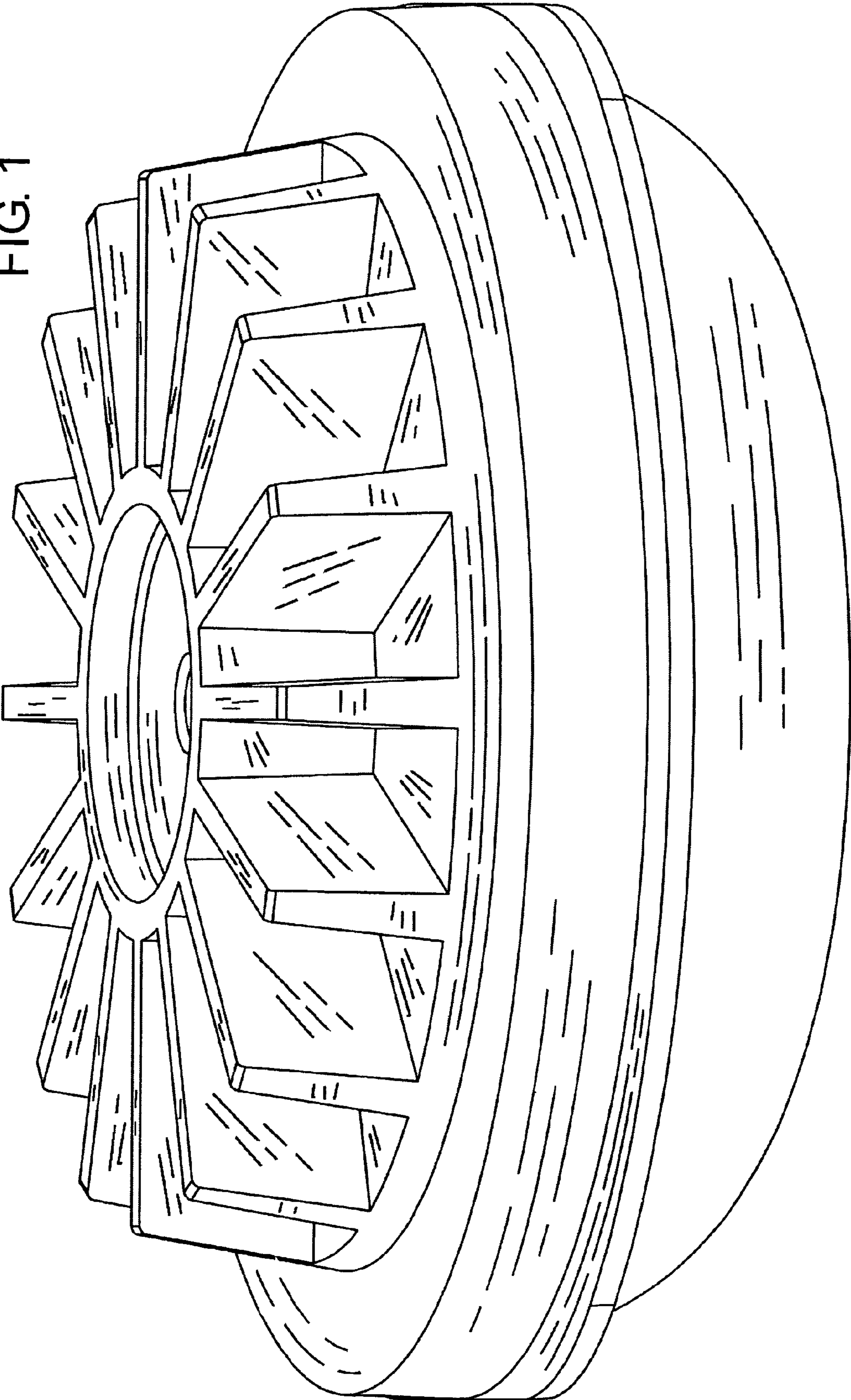


FIG. 1



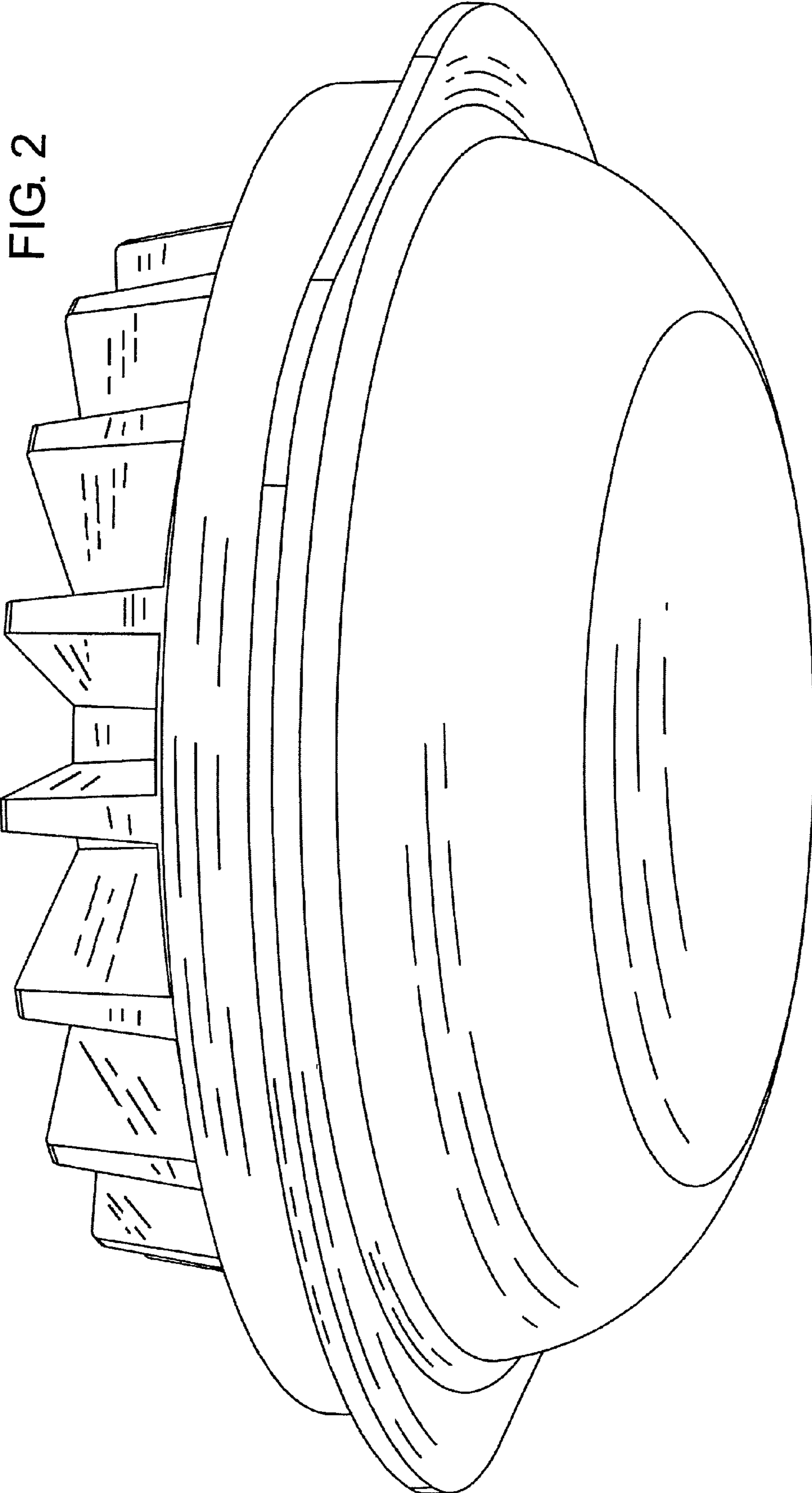


FIG. 2

FIG. 3

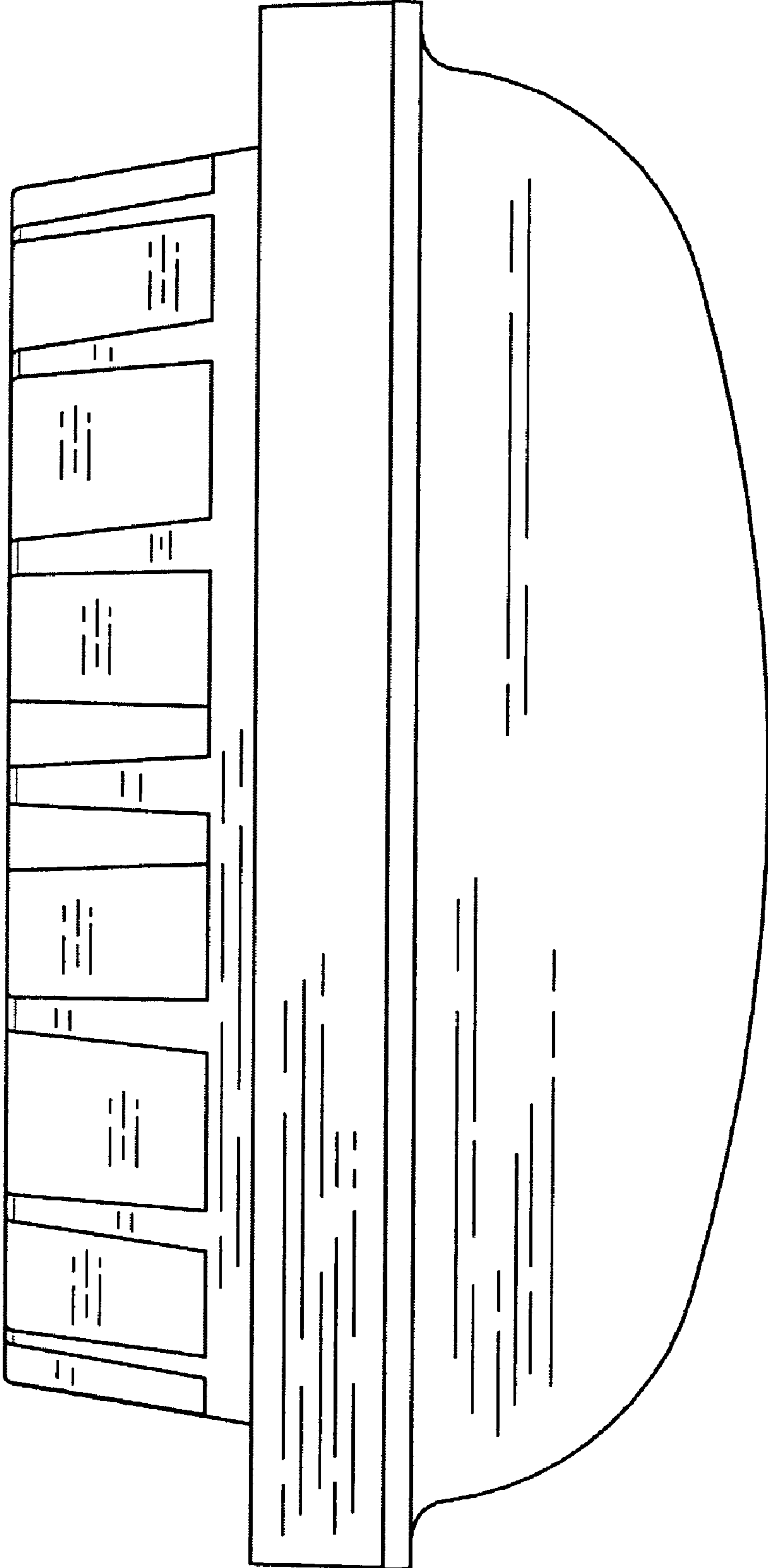


FIG. 4

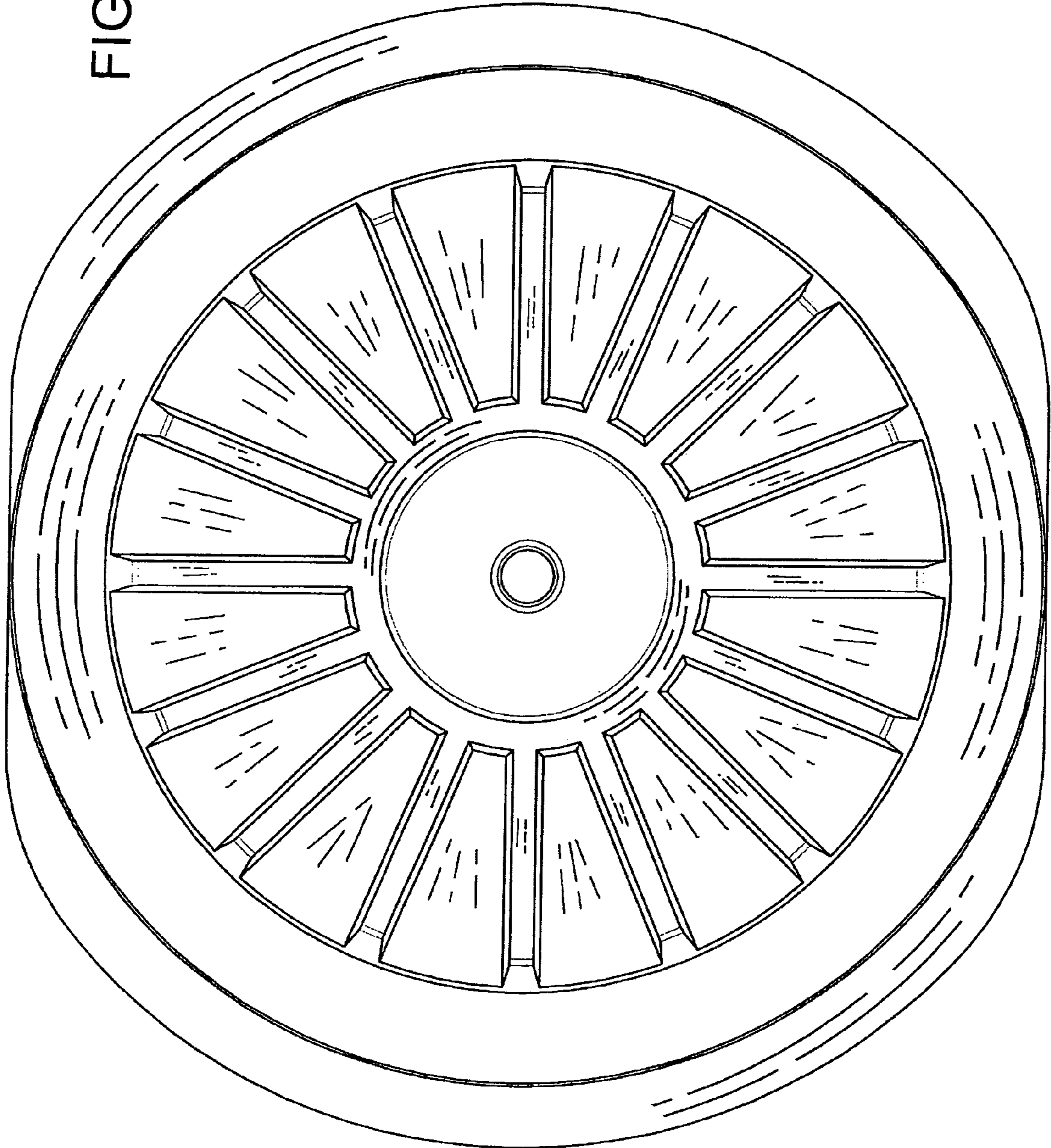


FIG. 5

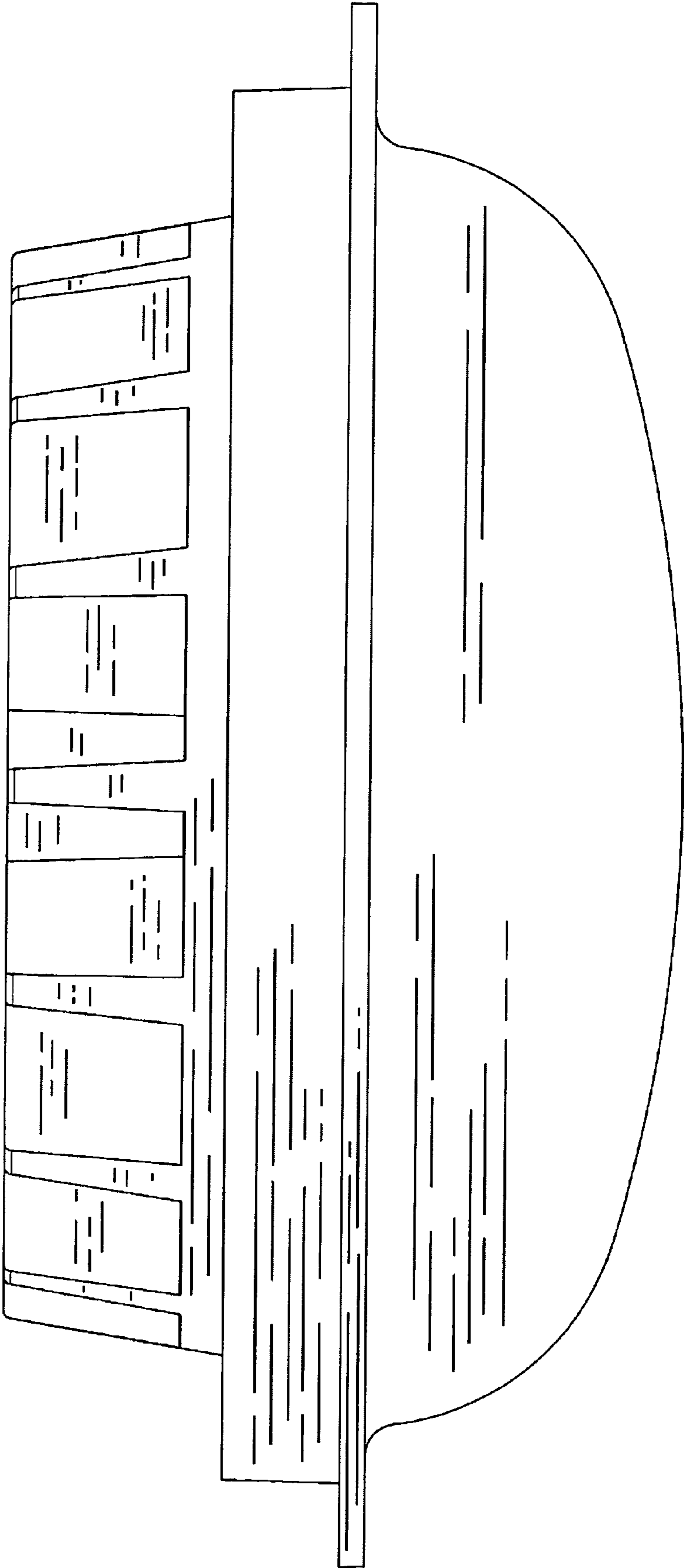


FIG. 6

