



US00D657084S

(12) **United States Design Patent**
Lai et al.

(10) **Patent No.:** **US D657,084 S**

(45) **Date of Patent:** **** Apr. 3, 2012**

(54) **DESK LAMP**

(75) Inventors: **Kee-Weng Lai**, New Taipei (TW); **Peng Hui Wang**, New Taipei (TW)

(73) Assignee: **Ecolighting, Inc Corp.**, New Taipei (TW)

(**) Term: **14 Years**

(21) Appl. No.: **29/400,018**

(22) Filed: **Aug. 22, 2011**

(51) **LOC (9) Cl.** **26-05**

(52) **U.S. Cl.** **D26/63**

(58) **Field of Classification Search** D26/60-66,
D26/93-112; 362/410-414, 806, 418, 419,
362/427, 153.1, 269, 270, 274, 277, 285-289,
362/431

See application file for complete search history.

(56) **References Cited**

U.S. PATENT DOCUMENTS

D46,922 S *	2/1915	Chassaing	D26/65
D68,232 S *	9/1925	Bowen	D26/63
D81,517 S *	7/1930	Anderson	D26/63
D176,550 S *	1/1956	Mugnai	D26/63
D249,292 S *	9/1978	Ishikawa et al.	D26/62
D331,983 S *	12/1992	Winn	D26/63
D339,648 S *	9/1993	Wen-Yung	D26/51
D354,370 S *	1/1995	Stromberg	D26/109

D450,878 S *	11/2001	Dolan	D26/109
D452,927 S *	1/2002	Strickland	D26/63
D612,971 S *	3/2010	Levine	D26/63

* cited by examiner

Primary Examiner — Susan M Lee

Assistant Examiner — Linda G. Brooks

(74) *Attorney, Agent, or Firm* — Chun-Ming Shih; HDLS IPR Services

(57) **CLAIM**

The ornamental design for a desk lamp, as shown and described.

DESCRIPTION

FIG. 1 is a perspective view of a desk lamp showing my new design;

FIG. 2 is a front view thereof;

FIG. 3 is a rear view thereof;

FIG. 4 is a left side view thereof;

FIG. 5 is a right side view thereof;

FIG. 6 is a top view thereof;

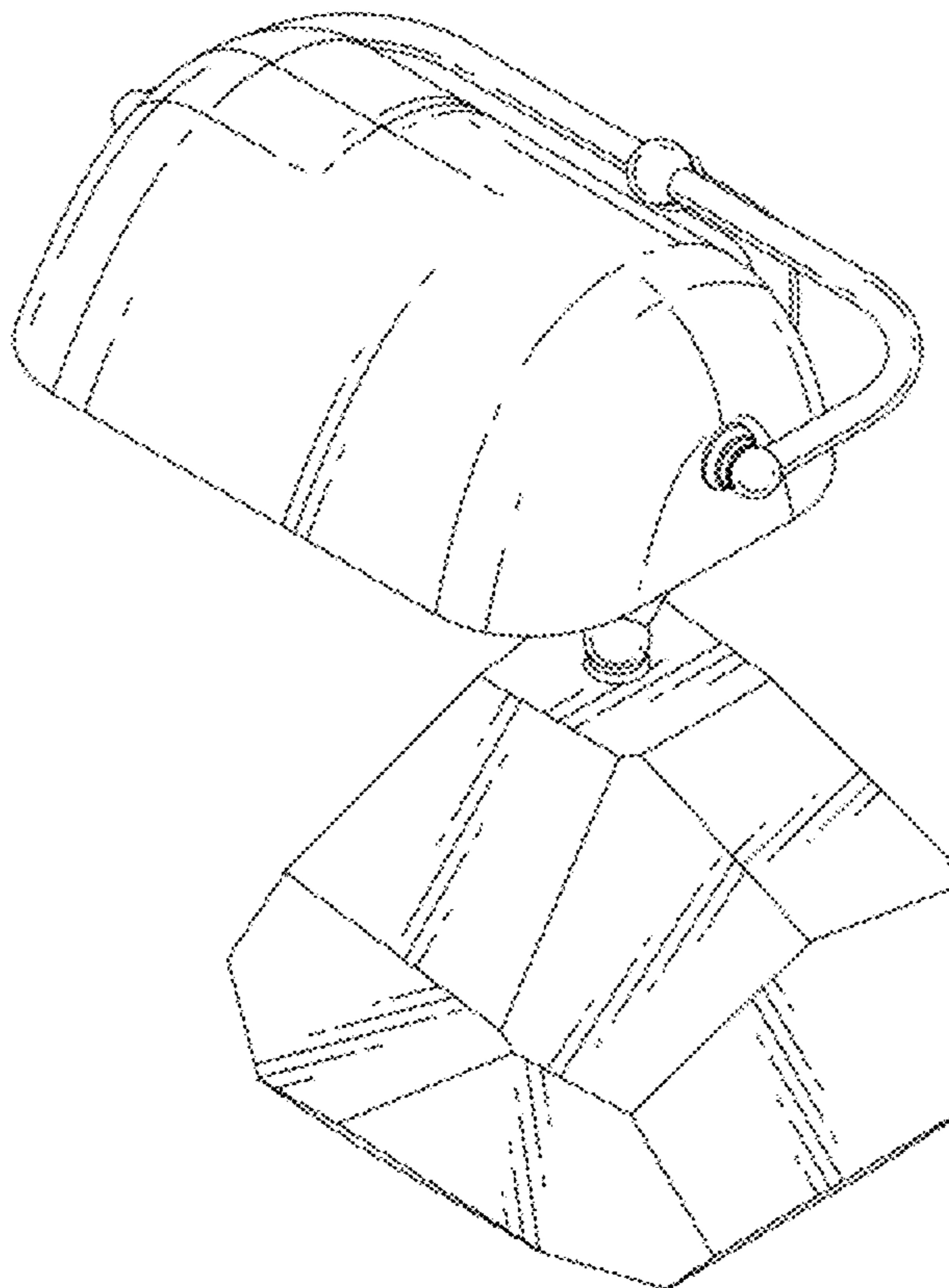
FIG. 7 is a bottom view thereof.

FIG. 8 is another perspective view showing the desk lamp; and,

FIG. 9 is a perspective view showing the desk lamp in use.

The broken line environmental showing is for illustrative purpose only and forms no part of the claimed design.

1 Claim, 9 Drawing Sheets



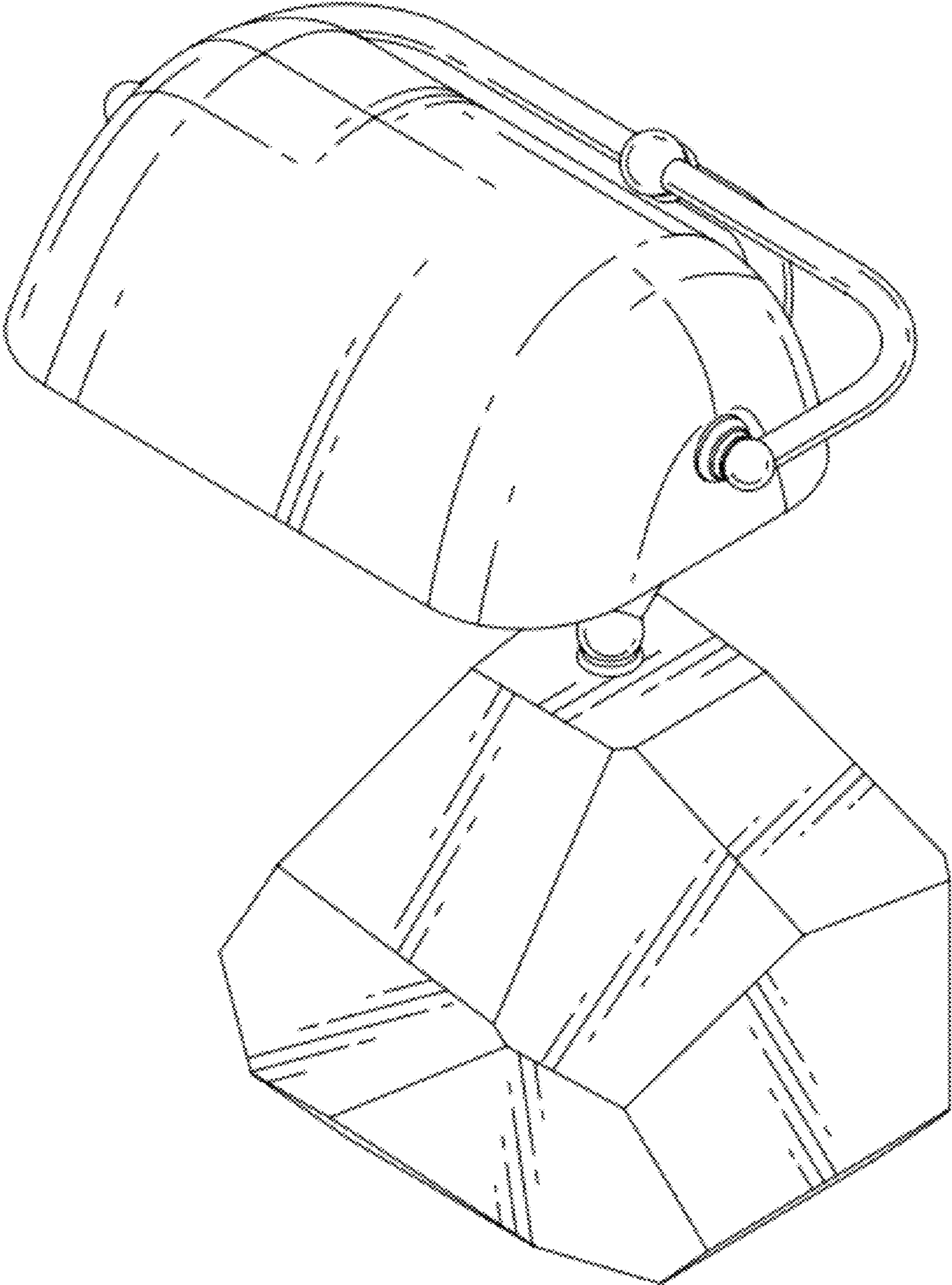


FIG. 1

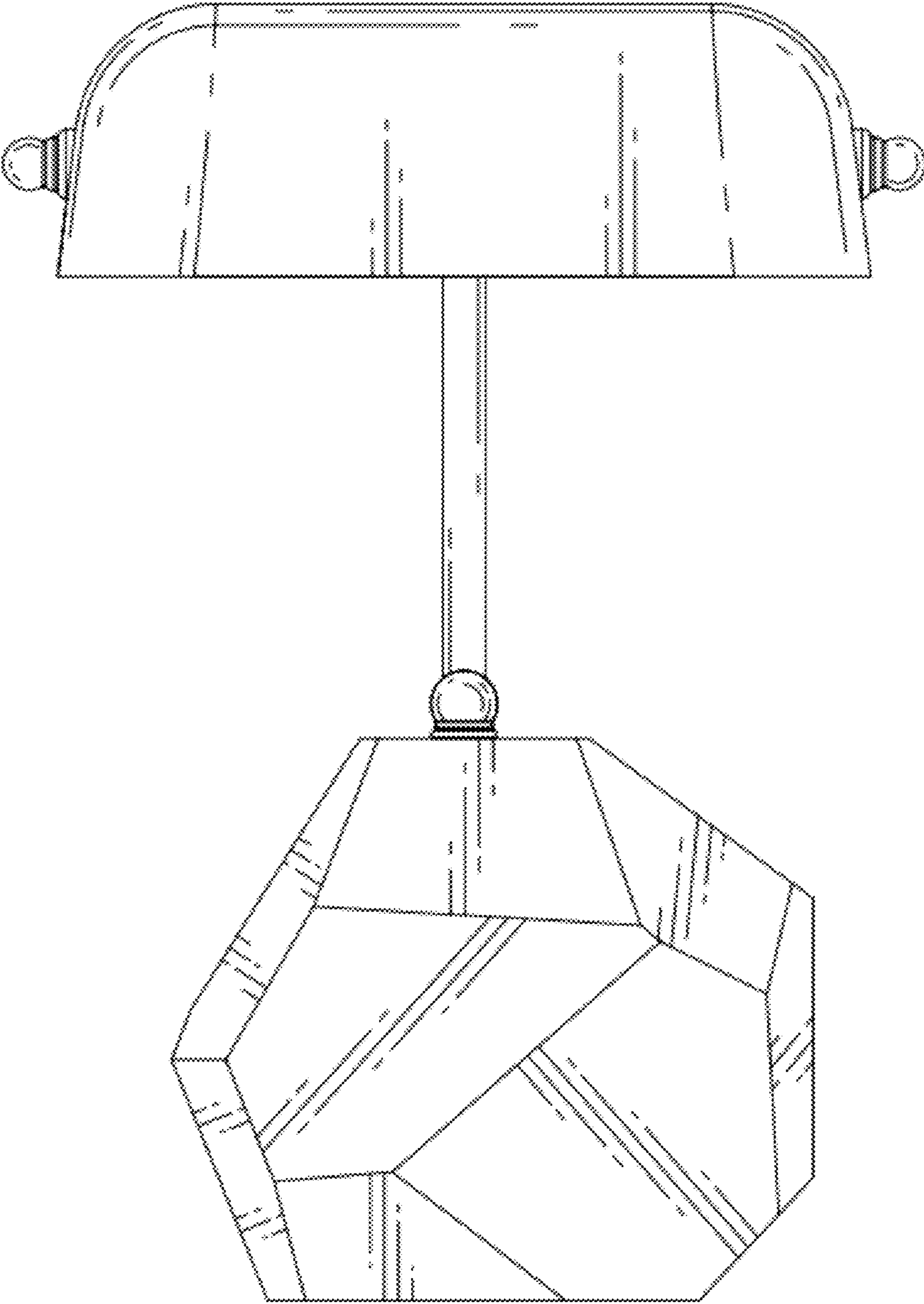


FIG.2

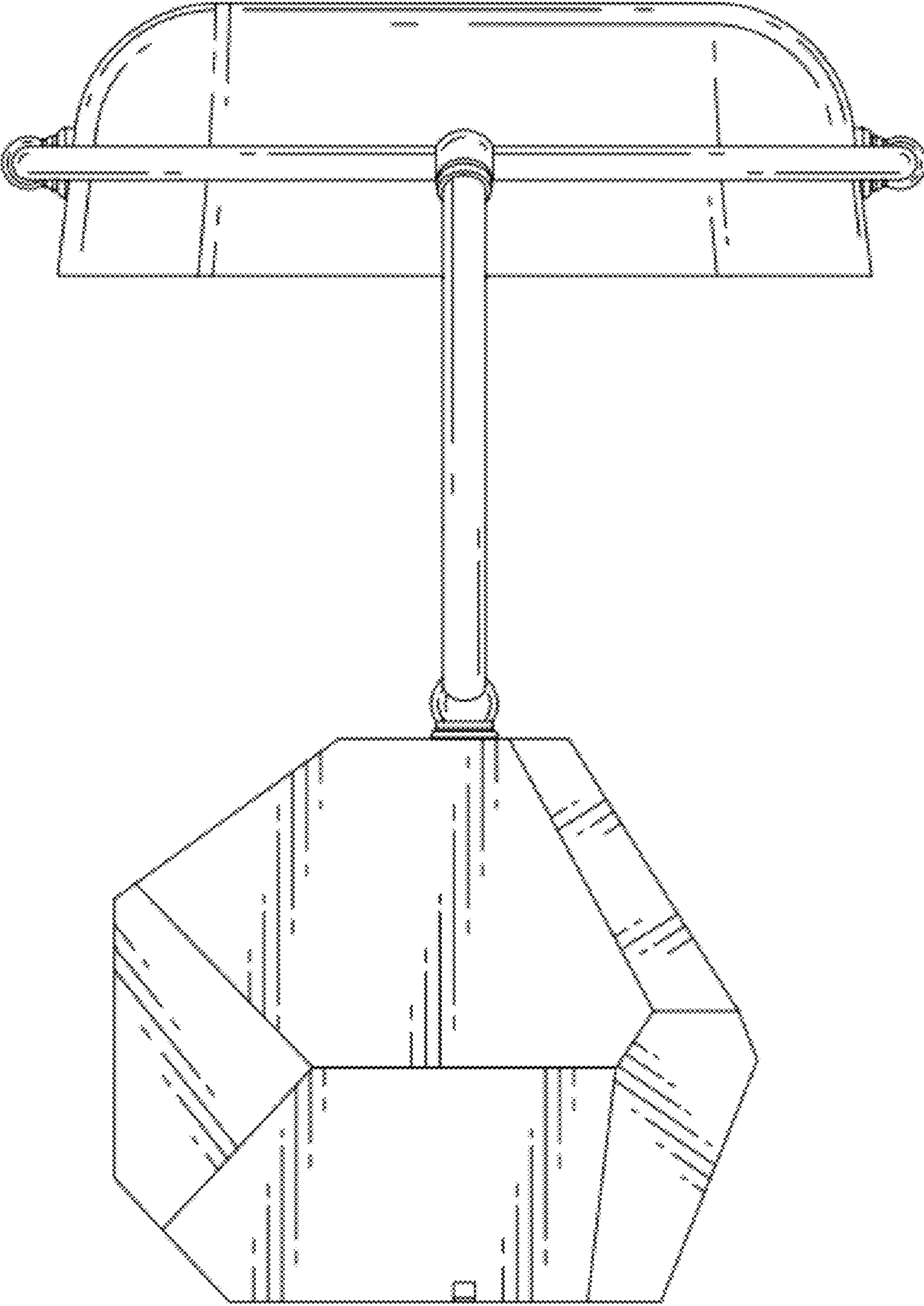


FIG. 3

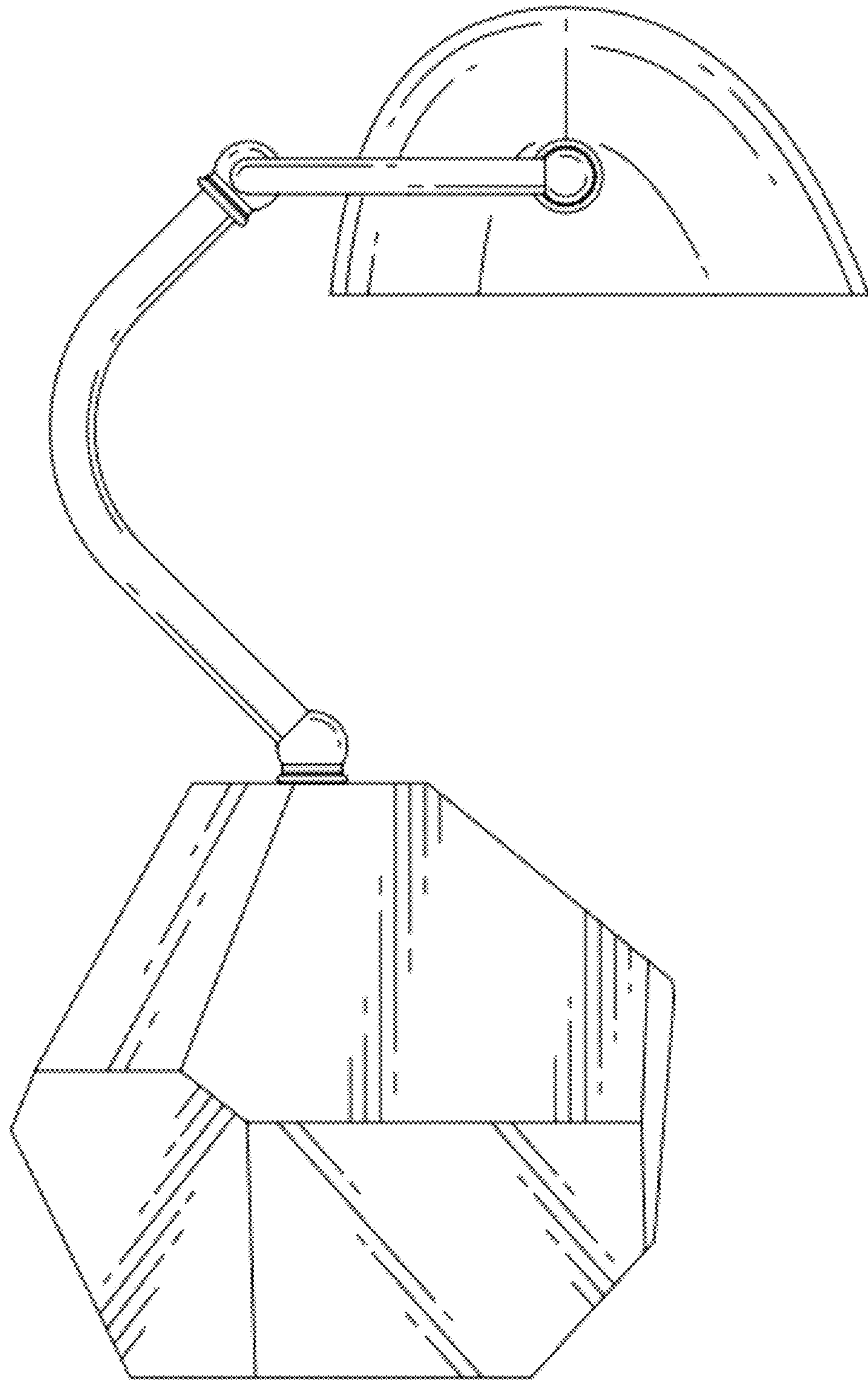


FIG. 4

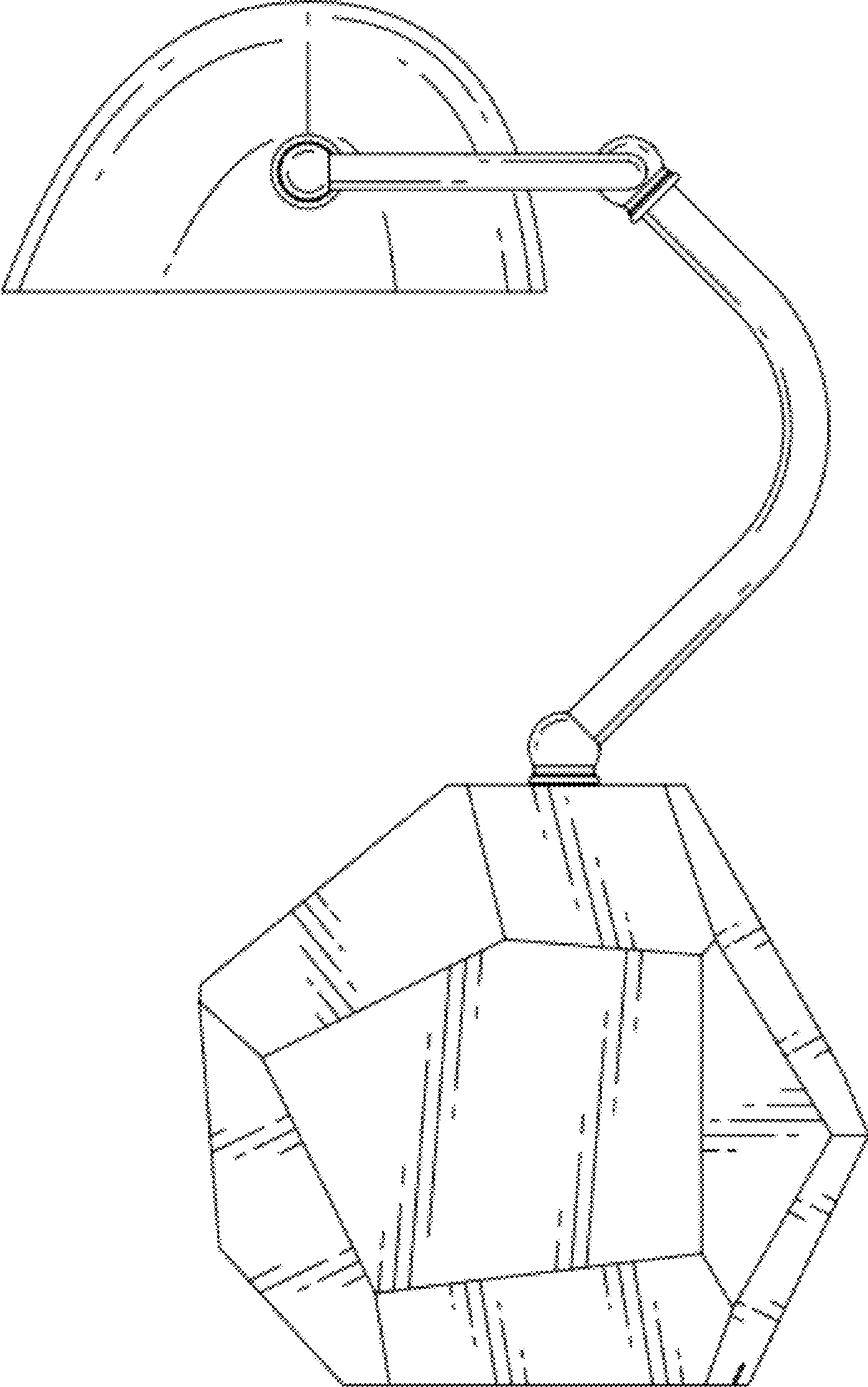


FIG. 5

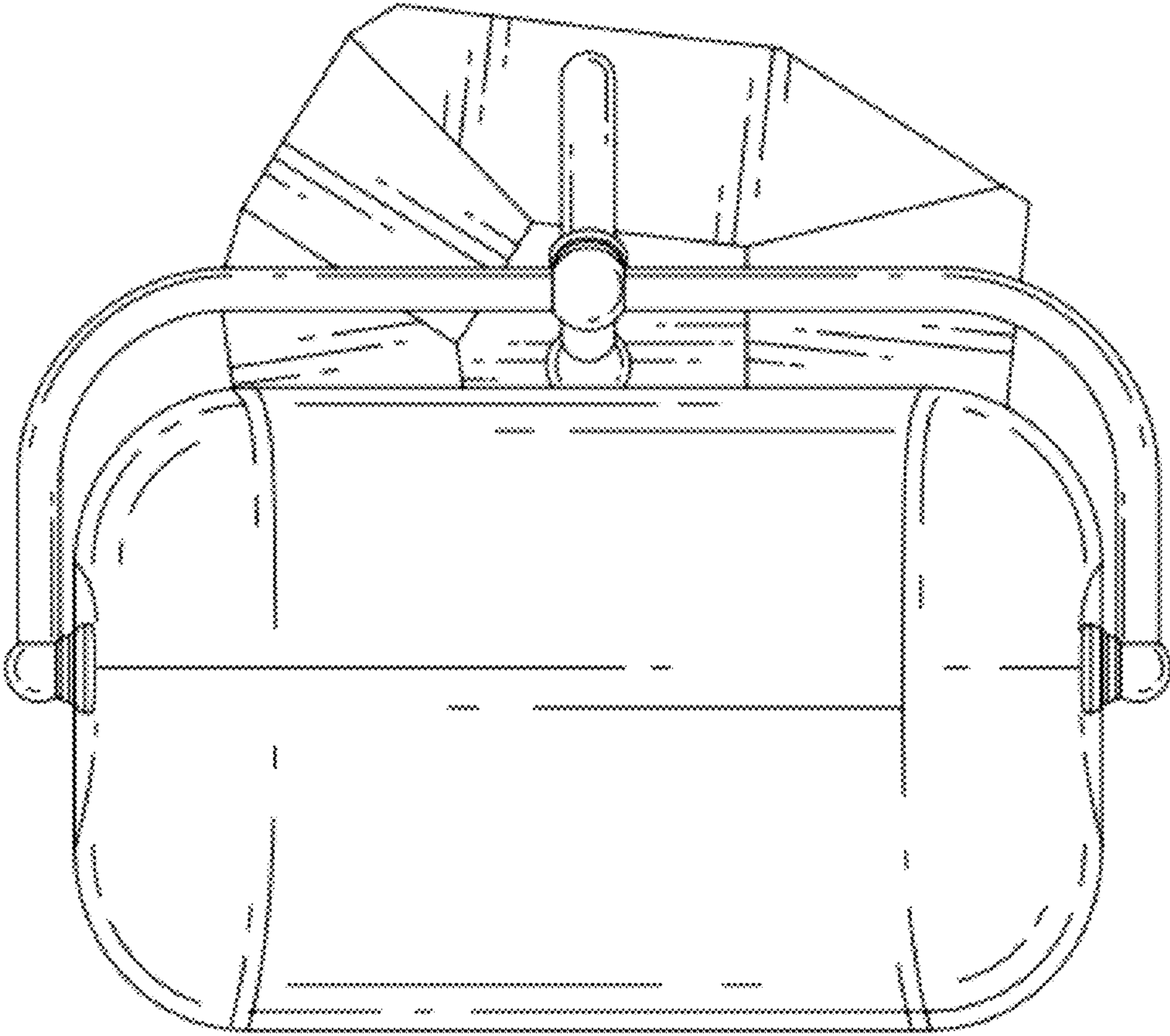


FIG.6

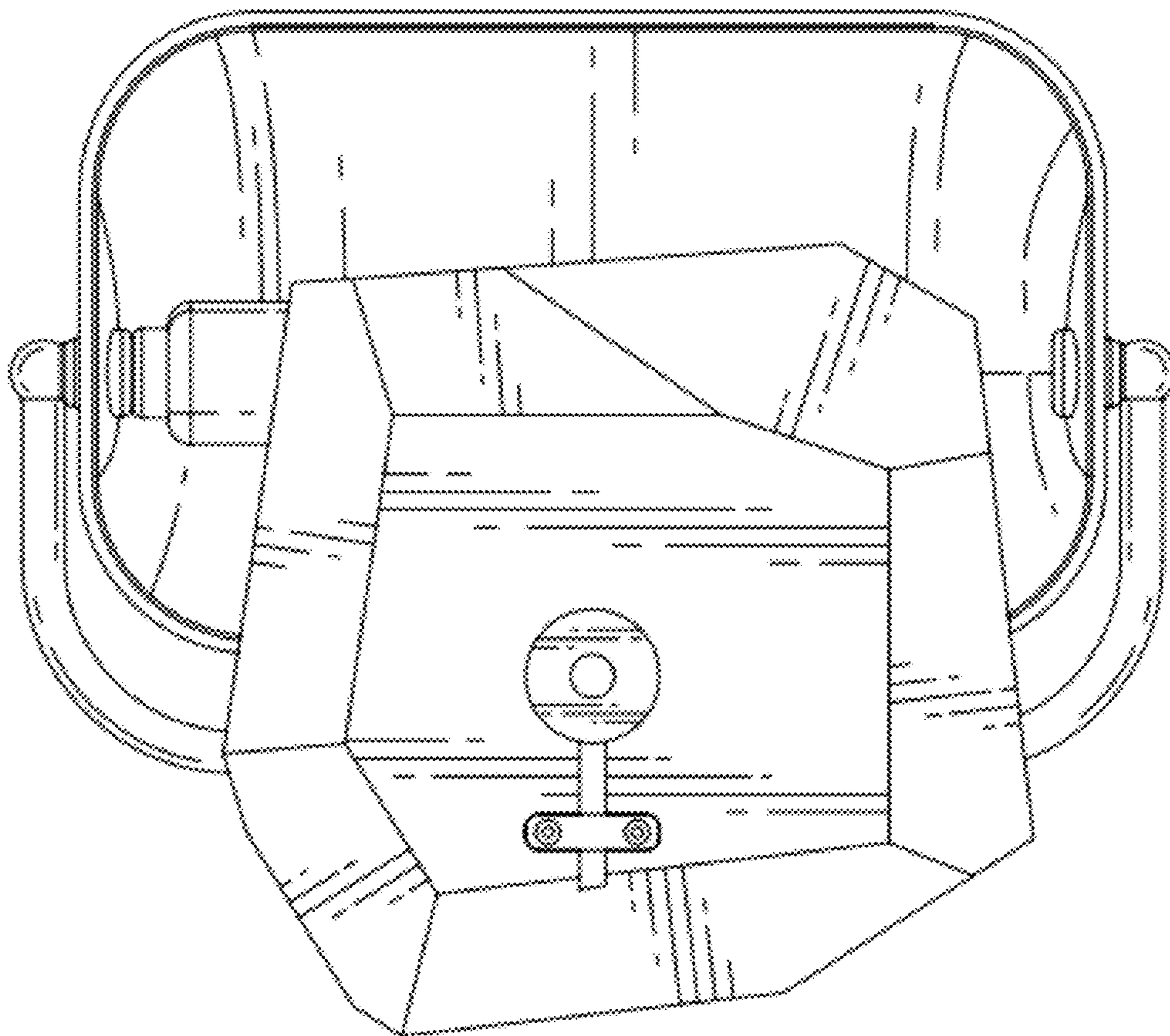


FIG. 7

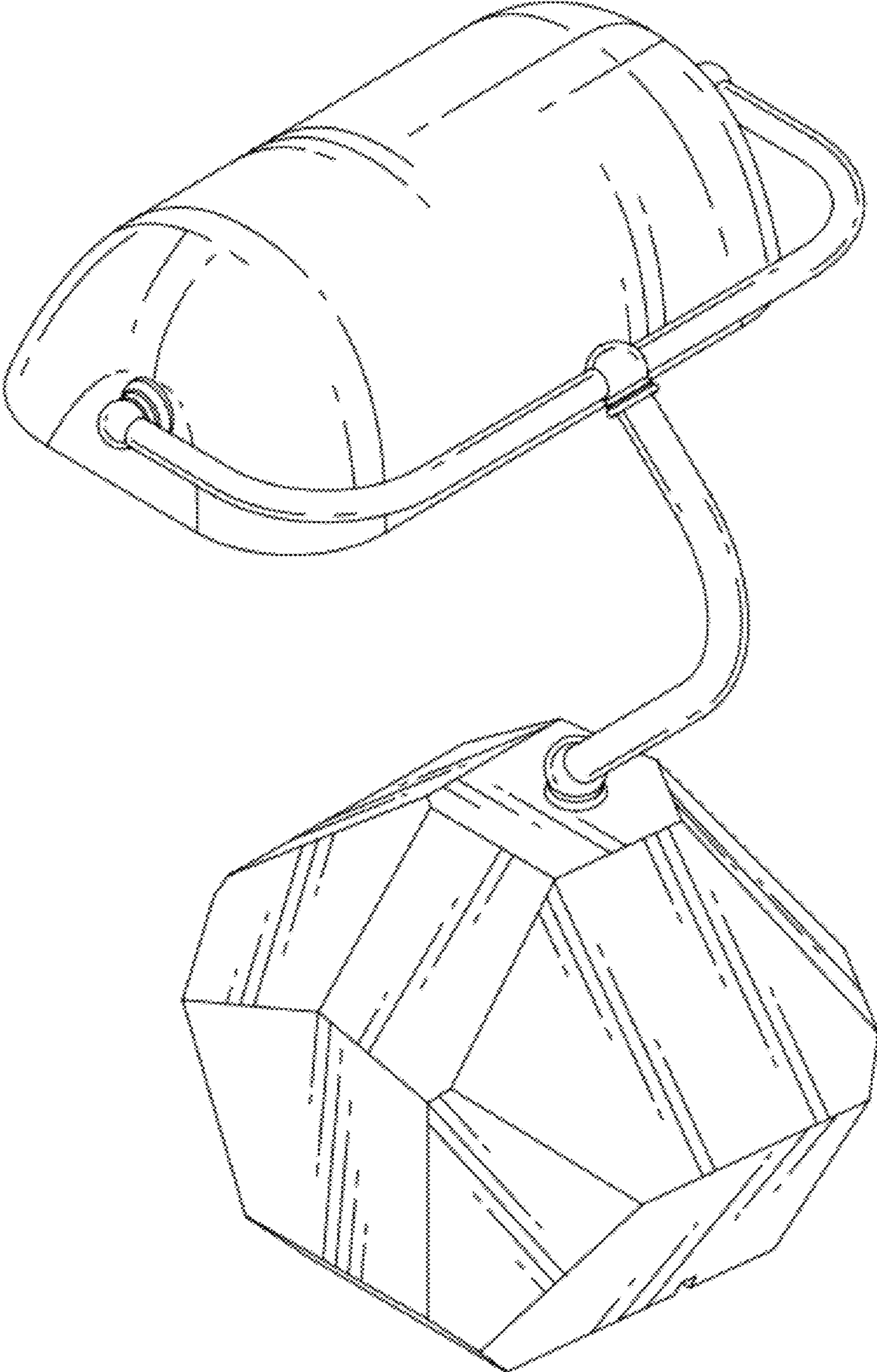


FIG.8

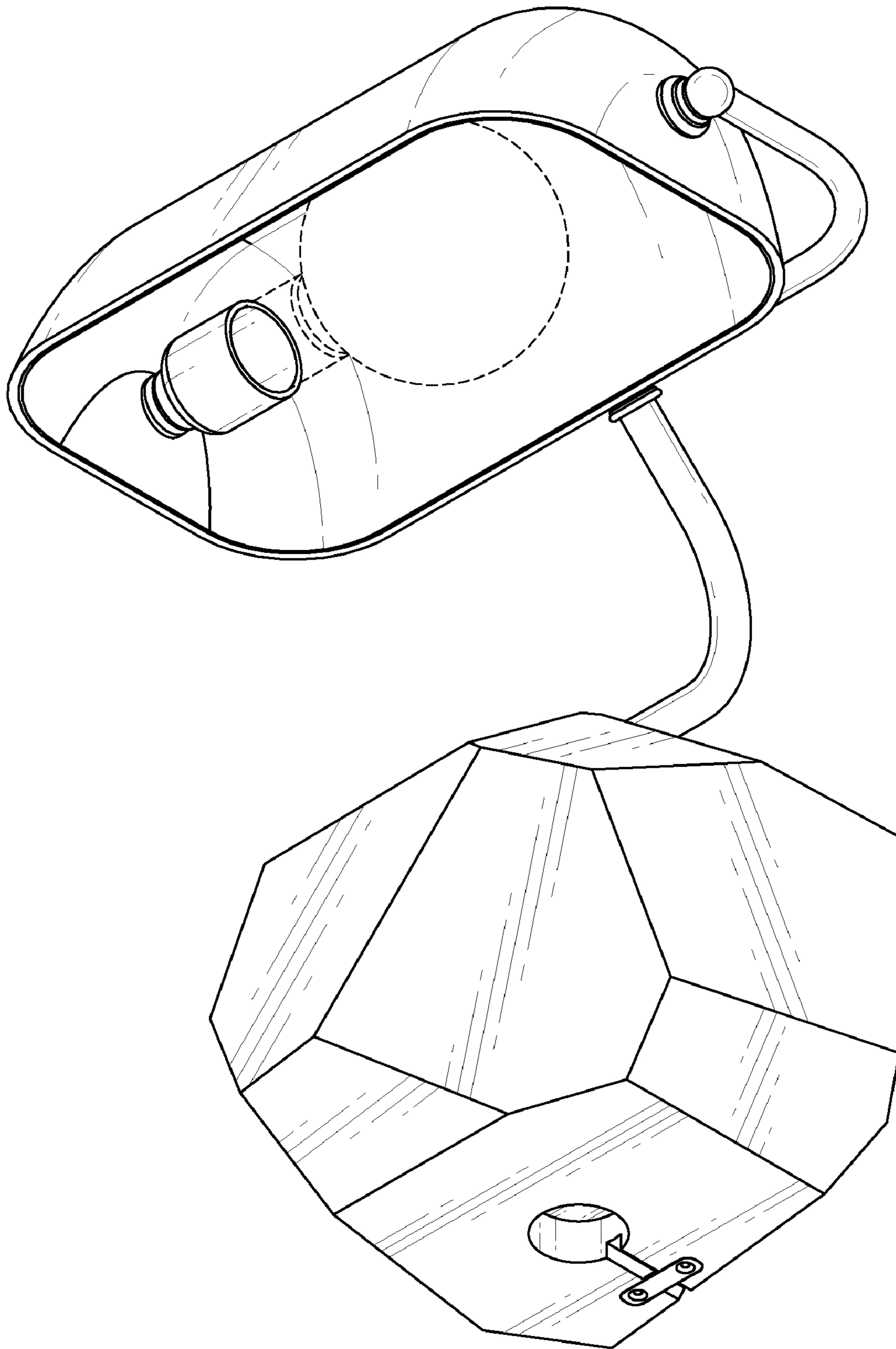


FIG.9