



US00D657083S

(12) **United States Design Patent**
Kline

(10) **Patent No.:** **US D657,083 S**
(45) **Date of Patent:** **** Apr. 3, 2012**

(54) **LED MULTI-HEAD POD LIGHT**

(76) Inventor: **Bret Kline**, Columbus, OH (US)

(**) Term: **14 Years**

(21) Appl. No.: **29/394,845**

(22) Filed: **Jun. 22, 2011**

(51) **LOC (9) Cl.** **26-05**

(52) **U.S. Cl.** **D26/63**

(58) **Field of Classification Search** D26/60-70,
D26/72, 80, 26, 86, 87, 92; 362/145, 147,
362/184, 198, 153.1, 232, 641, 652, 211,
362/213, 227, 236, 239, 249.01-249.03,
362/249.07, 249.09, 257, 268-277, 281-285,
362/287-289, 310, 311.01, 319, 418, 419,
362/427, 431, 800, 311.02, 449, 188
See application file for complete search history.

(56) **References Cited**

U.S. PATENT DOCUMENTS

D293,940	S	*	1/1988	Lasker	D26/65
D453,387	S	*	2/2002	Leen	D26/65
D579,718	S	*	11/2008	Borovicka et al.	D7/402
D580,083	S	*	11/2008	Sanoner	D26/63
D595,086	S	*	6/2009	Borovicka et al.	D7/402
D628,329	S	*	11/2010	Tuli	D26/63
D642,706	S	*	8/2011	Chao	D26/26

* cited by examiner

Primary Examiner — Susan M Lee

Assistant Examiner — Linda G. Brooks

(74) *Attorney, Agent, or Firm* — The Marbury Law Group PLLC

(57) **CLAIM**

The ornamental design for an LED multi-head pod light, as shown and described.

DESCRIPTION

FIG. 1 is a front/left side perspective view of the LED multi-head pod light design.

FIG. 2 is a front view of the LED multi-head pod light design.

FIG. 3 is a rear view of the LED multi-head pod light design.

FIG. 4 is a right side view of the LED multi-head pod light design.

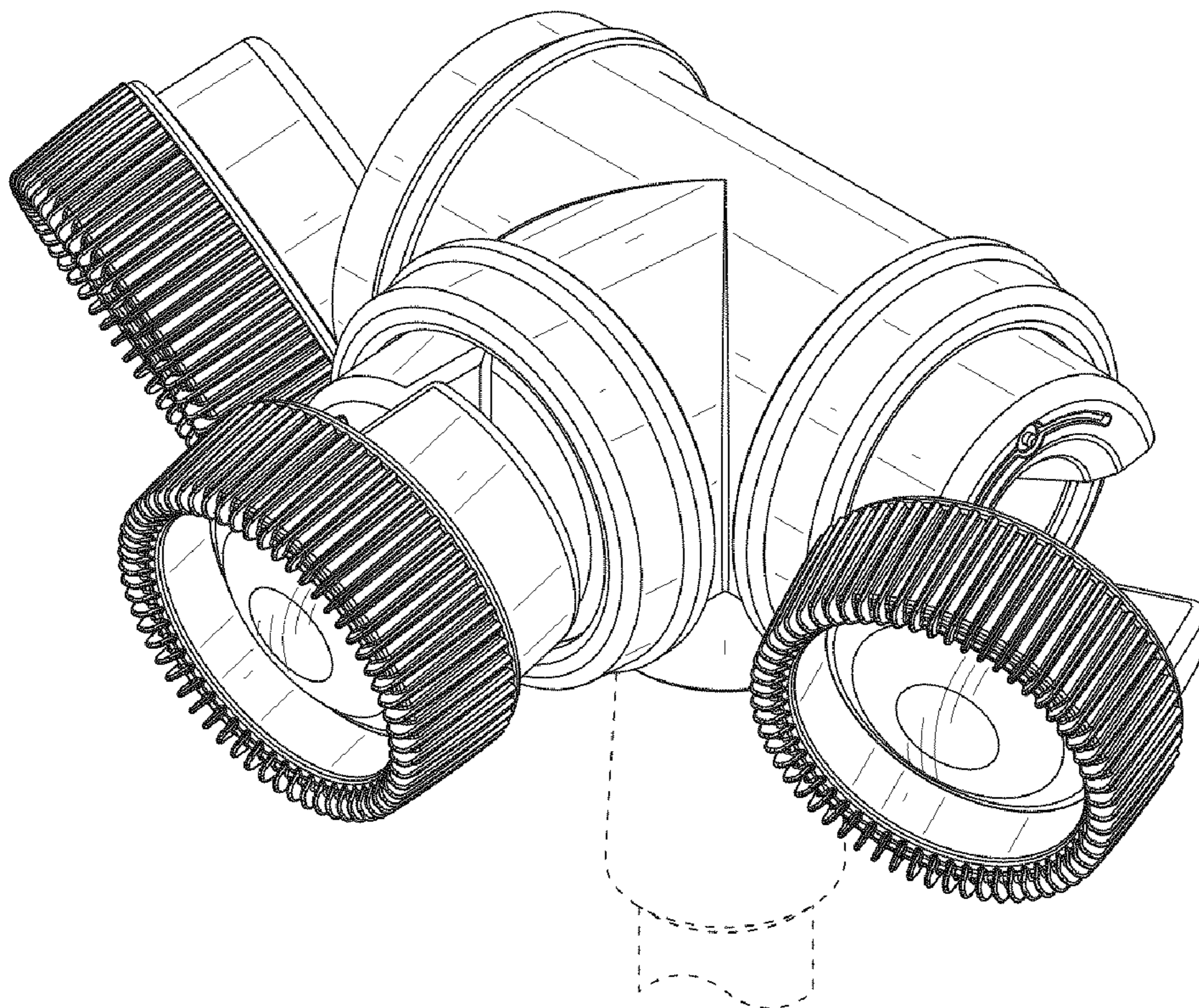
FIG. 5 is a left side view of the LED multi-head pod light design.

FIG. 6 is a top view of the LED multi-head pod light design; and,

FIG. 7 is a bottom view of the LED multi-head pod light design.

The broken lines showing a rod or stand attachment beneath the LED multi-head pod light are for illustrative purposes only and form no part of the claimed design.

1 Claim, 7 Drawing Sheets



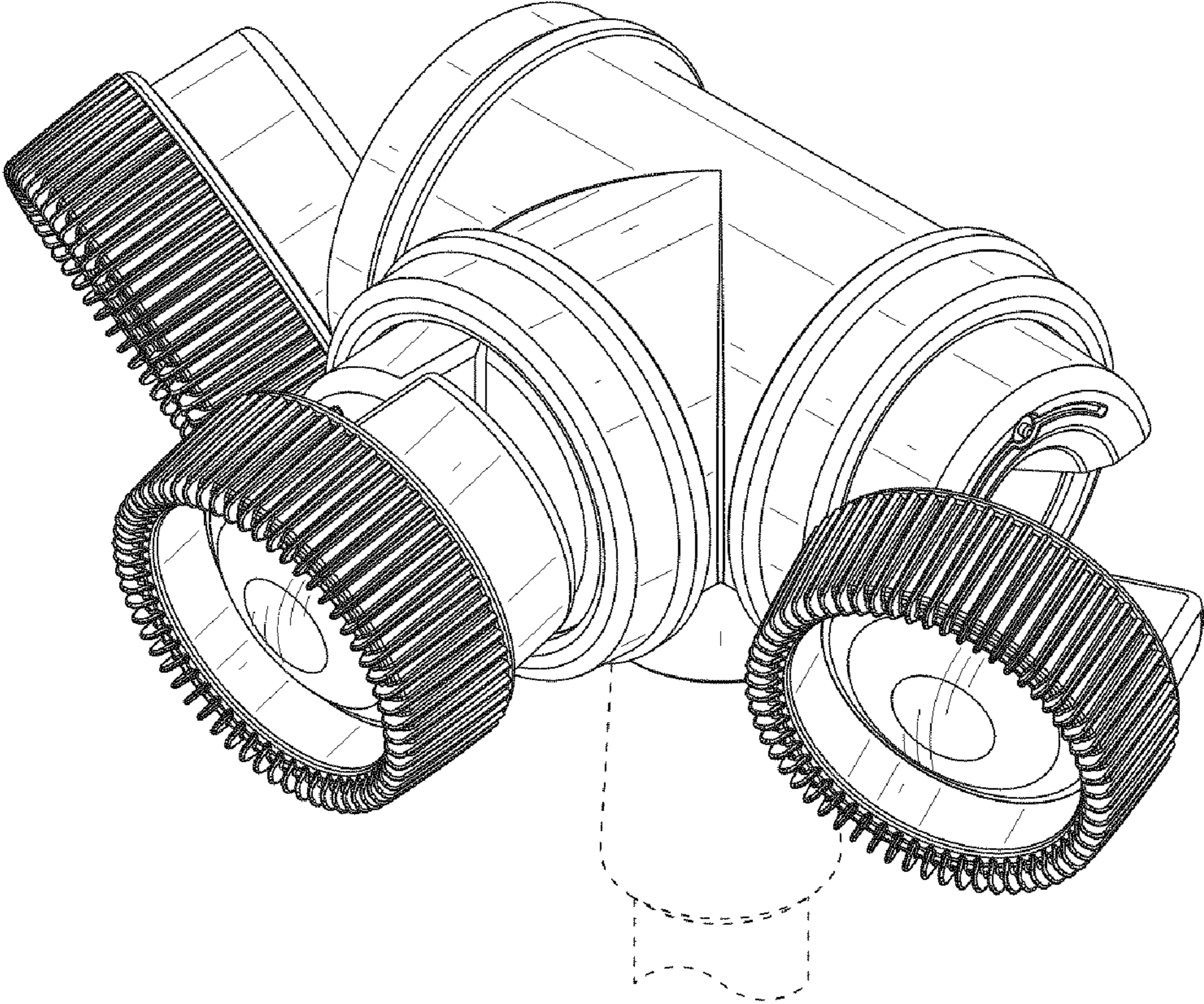


FIG. 1

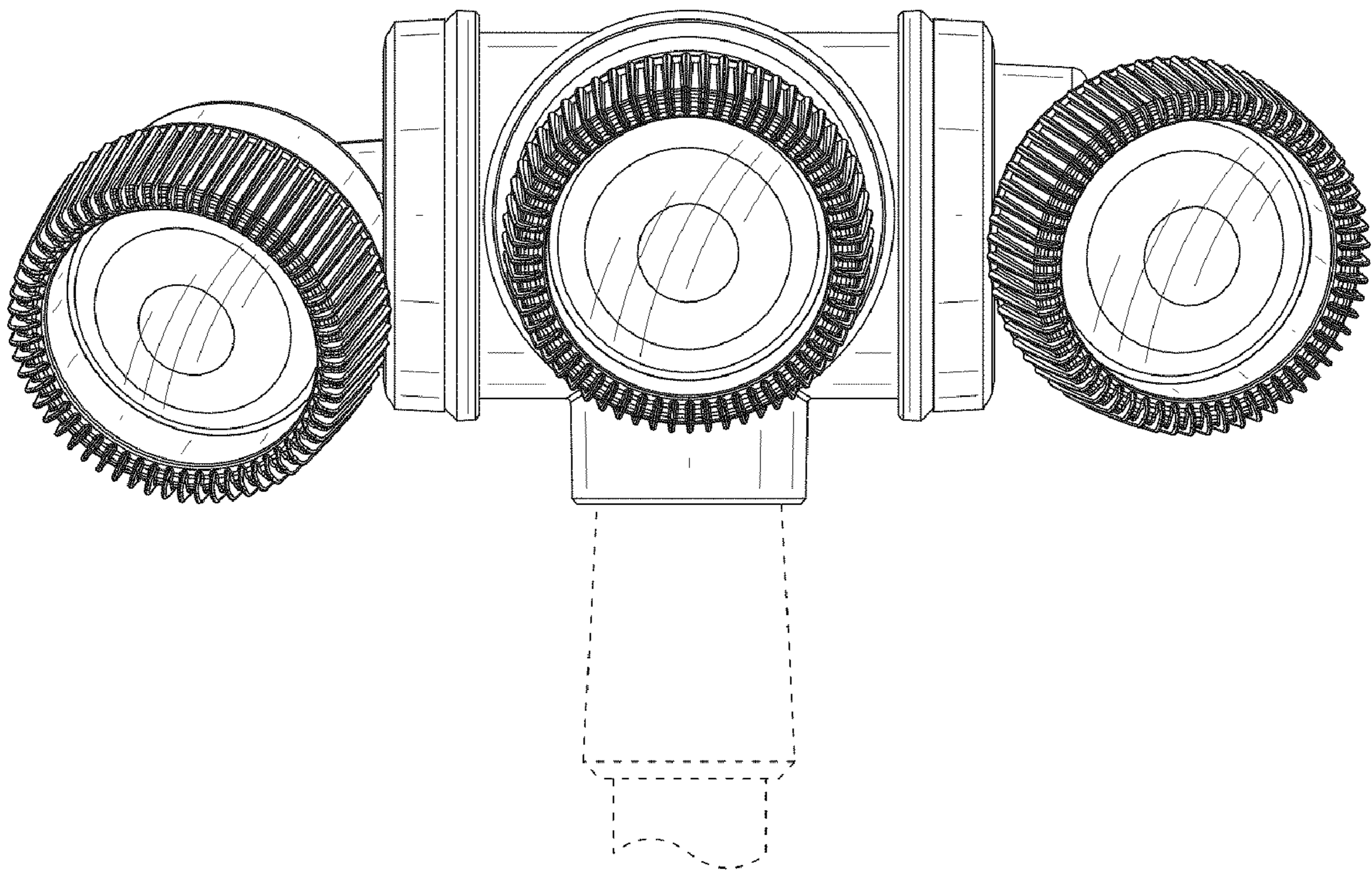


FIG. 2

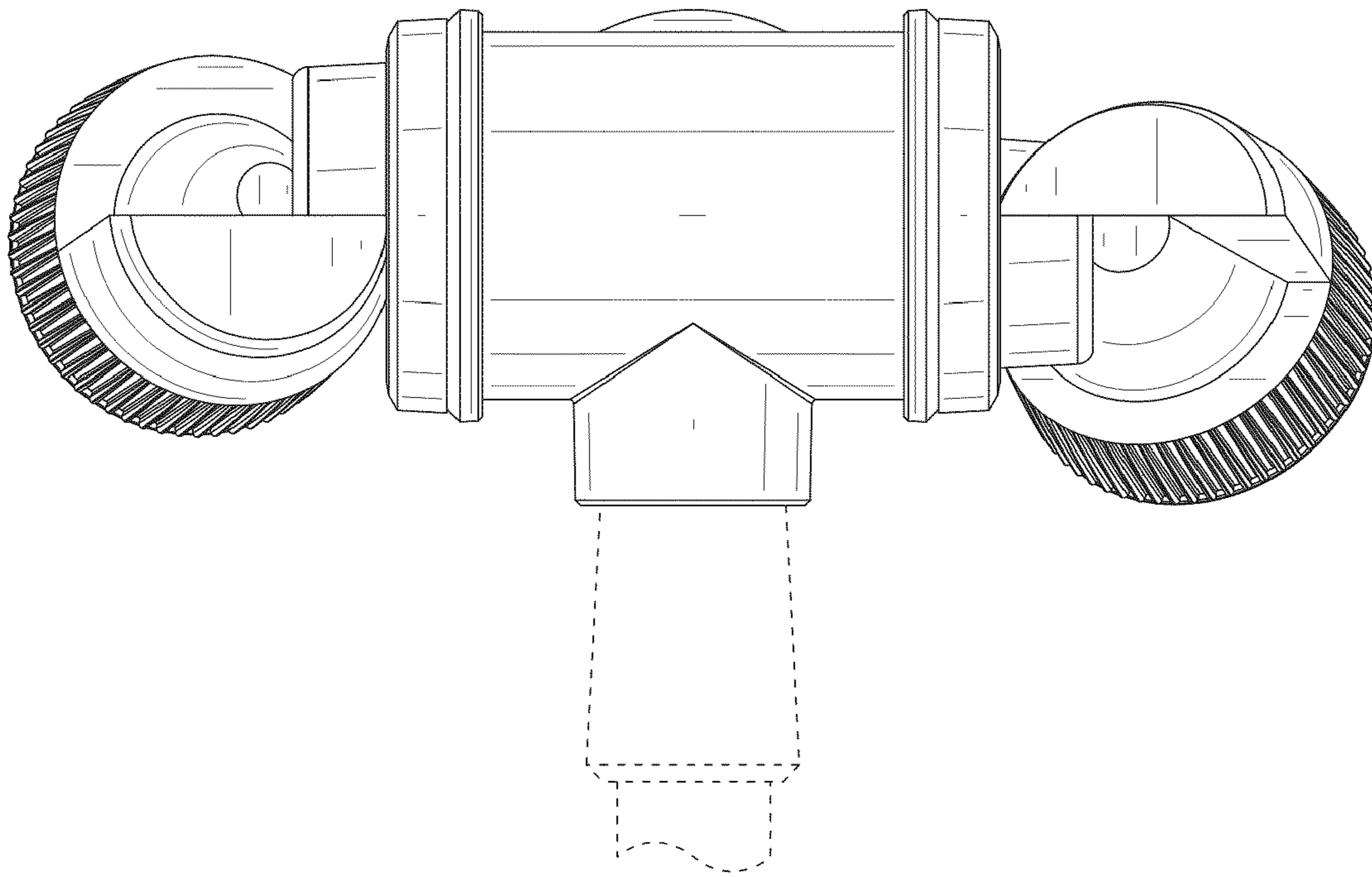


FIG. 3

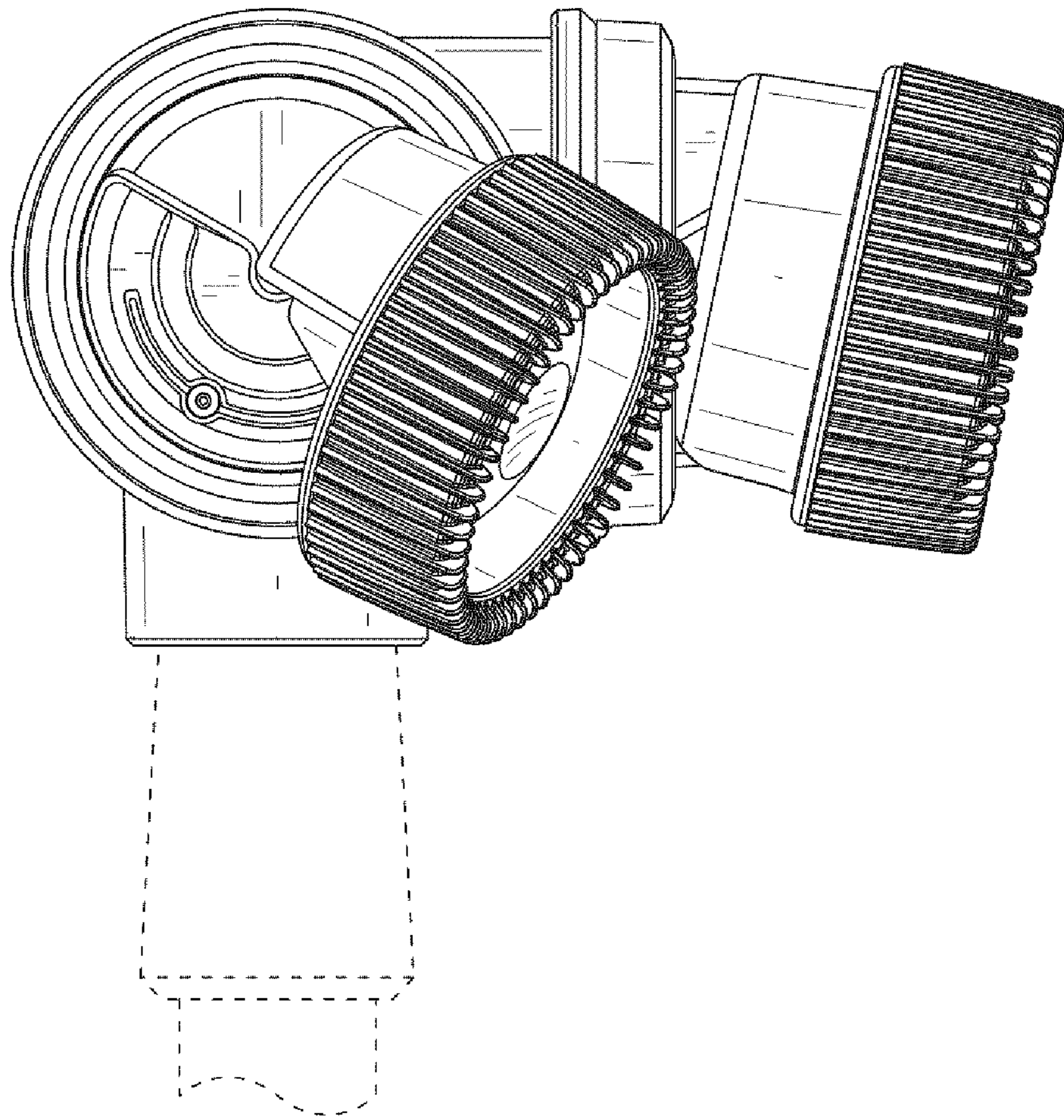


FIG. 4

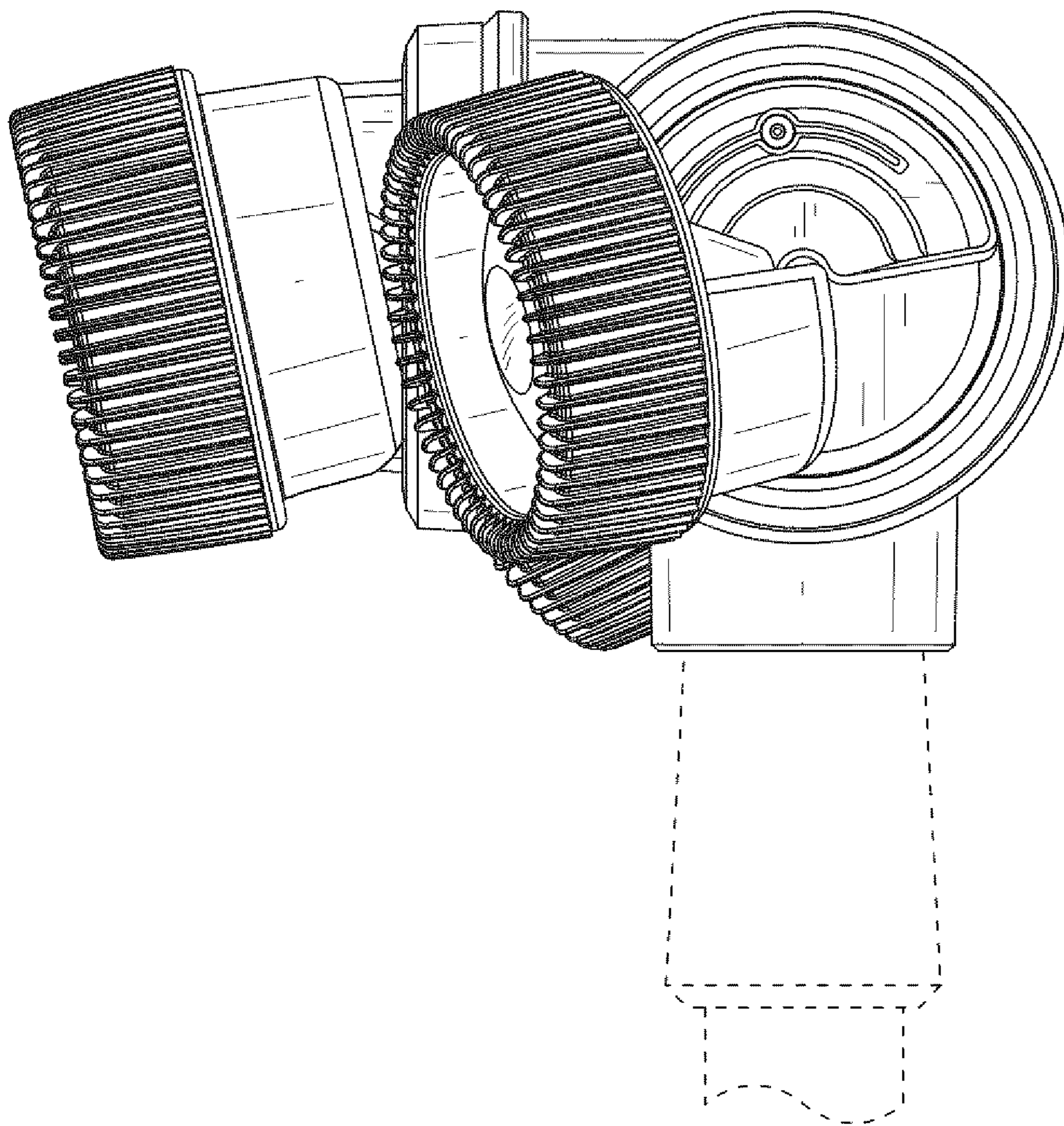


FIG. 5

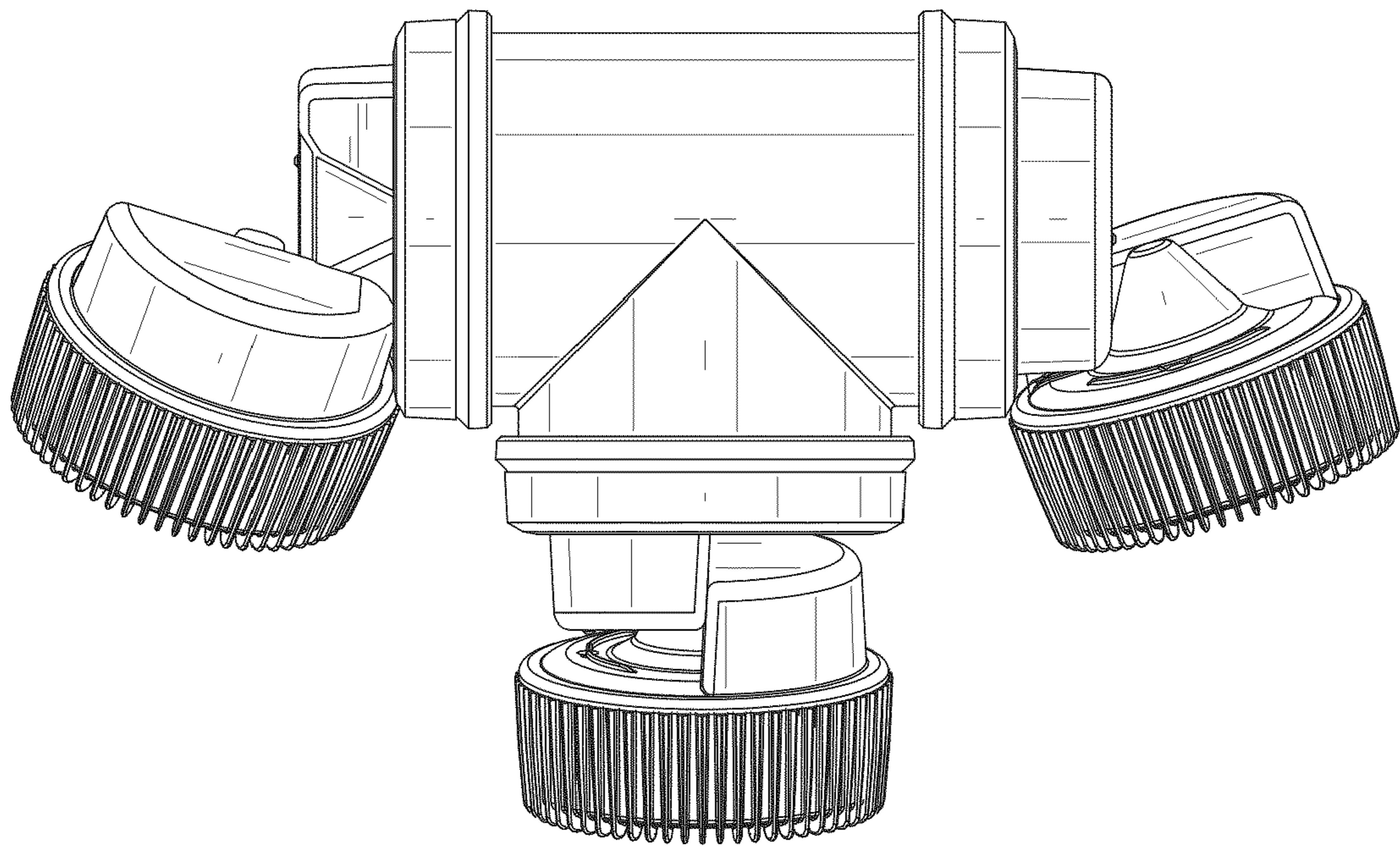


FIG. 6

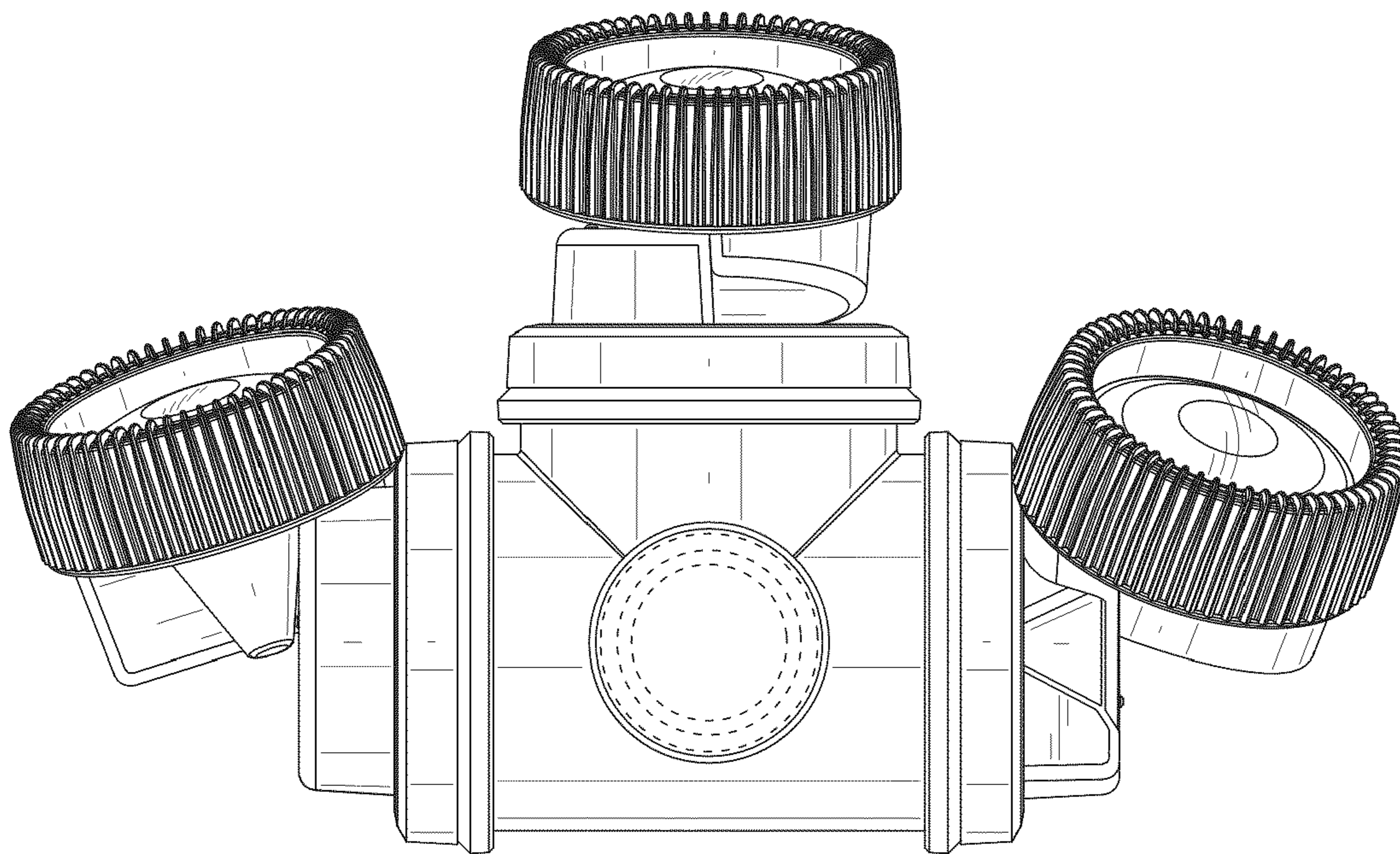


FIG. 7