



US00D657081S

(12) **United States Design Patent**  
**Alisauskas et al.**

(10) **Patent No.:** **US D657,081 S**  
(45) **Date of Patent:** **\*\* Apr. 3, 2012**

(54) **DRIVING LIGHT FOR VEHICLES**  
(75) Inventors: **Paul Alisauskas**, Firle (AU); **Kenneth David Holmes**, Coromandel East (AU)

D551,364 S \* 9/2007 Hoffman ..... D26/28  
D584,428 S \* 1/2009 Li et al. .... D26/2  
D587,384 S \* 2/2009 Wei ..... D26/2  
D592,766 S \* 5/2009 Zhu et al. .... D26/2  
D626,670 S \* 11/2010 Metzger et al. .... D26/28

(73) Assignee: **FYRLYT Pty. Ltd.**, Dulwich, South Australia (AU)

\* cited by examiner

(\*\*) Term: **14 Years**

*Primary Examiner* — Marcus Jackson

(21) Appl. No.: **29/386,946**

(74) *Attorney, Agent, or Firm* — William J. Sapone; Coleman Sudol Sapone P.C.

(22) Filed: **Mar. 7, 2011**

(57) **CLAIM**

The ornamental design for a driving light for vehicles, as shown and described.

(30) **Foreign Application Priority Data**

Sep. 13, 2010 (AU) ..... 13974/2010

**DESCRIPTION**

(51) **LOC (9) Cl.** ..... **26-06**

(52) **U.S. Cl.** ..... **D26/28**

(58) **Field of Classification Search** ..... D26/28-36;  
362/459-468, 475-478, 485-487  
See application file for complete search history.

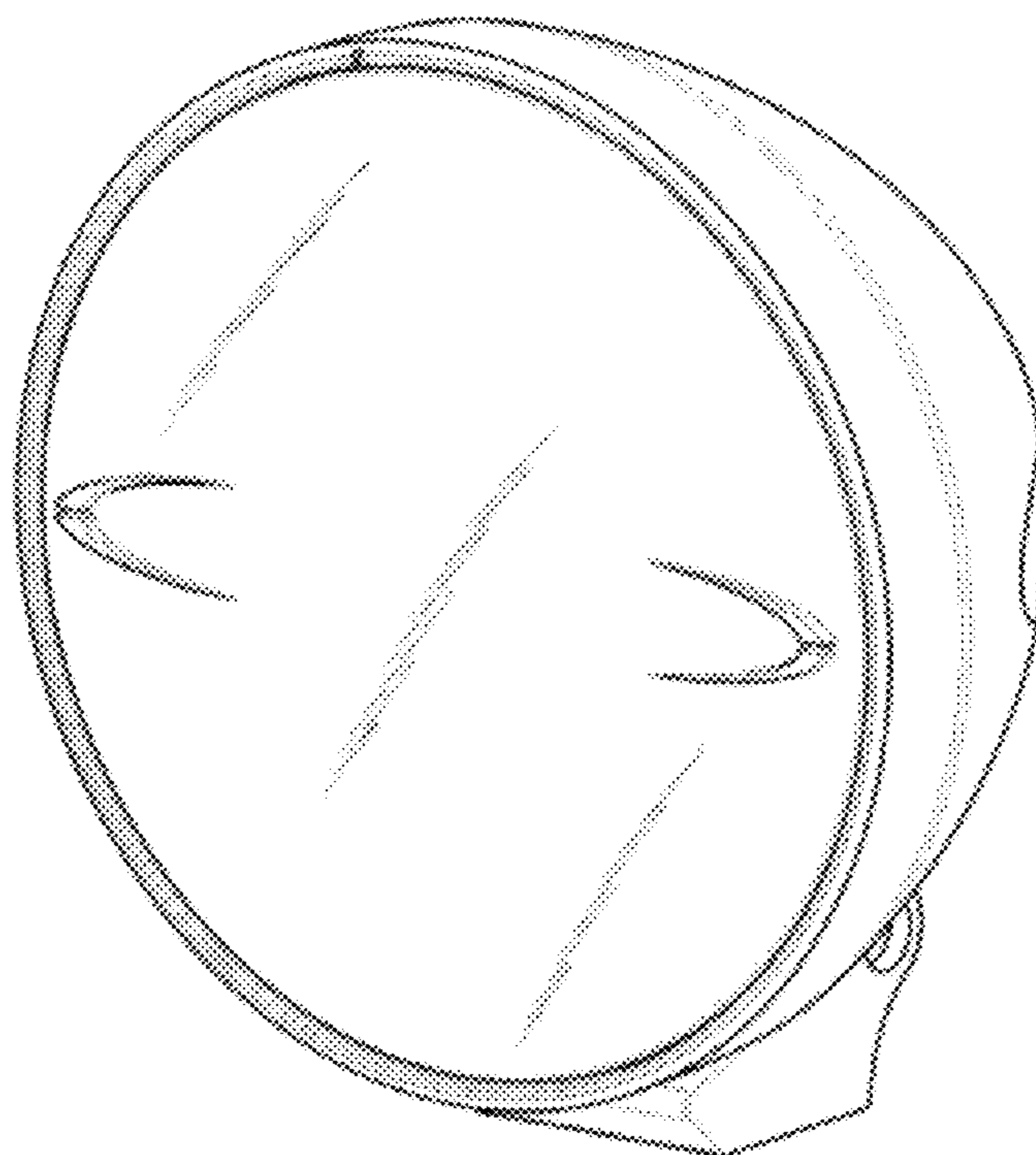
FIG. 1 is a perspective front view of the driving light for vehicles, showing our new design;  
FIG. 2 is a rear perspective view of the driving light of FIG. 1;  
FIG. 3 is a front view thereof;  
FIG. 4 is a rear view thereof;  
FIG. 5 is a top plan view thereof;  
FIG. 6 is bottom view thereof;  
FIG. 7 is a left side view thereof; and,  
FIG. 8 is a right side view thereof.

(56) **References Cited**

**U.S. PATENT DOCUMENTS**

D470,257 S \* 2/2003 Byggmestar ..... D26/28  
D477,427 S \* 7/2003 Mazziotti ..... D26/28

**1 Claim, 4 Drawing Sheets**



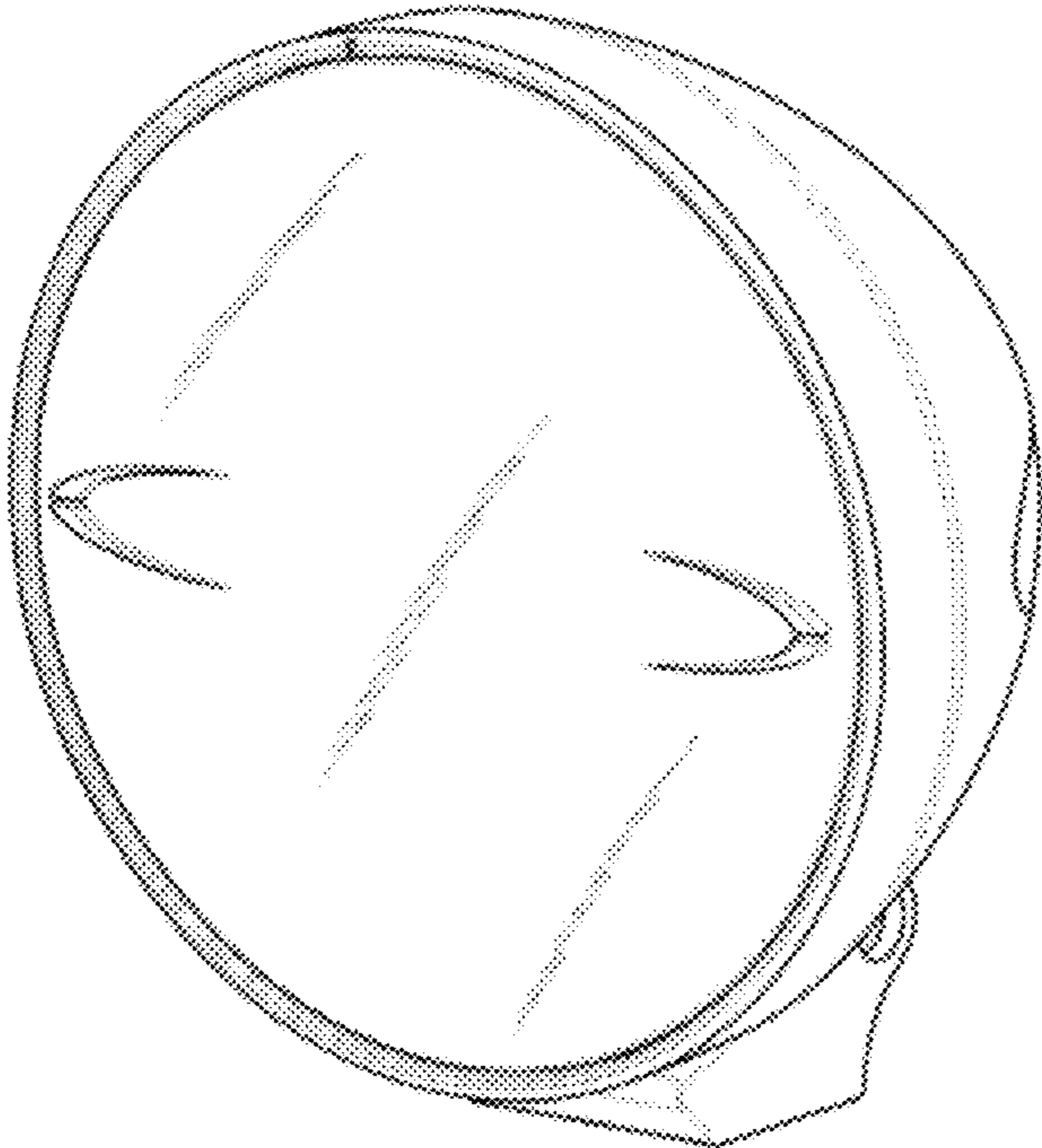


FIG 1

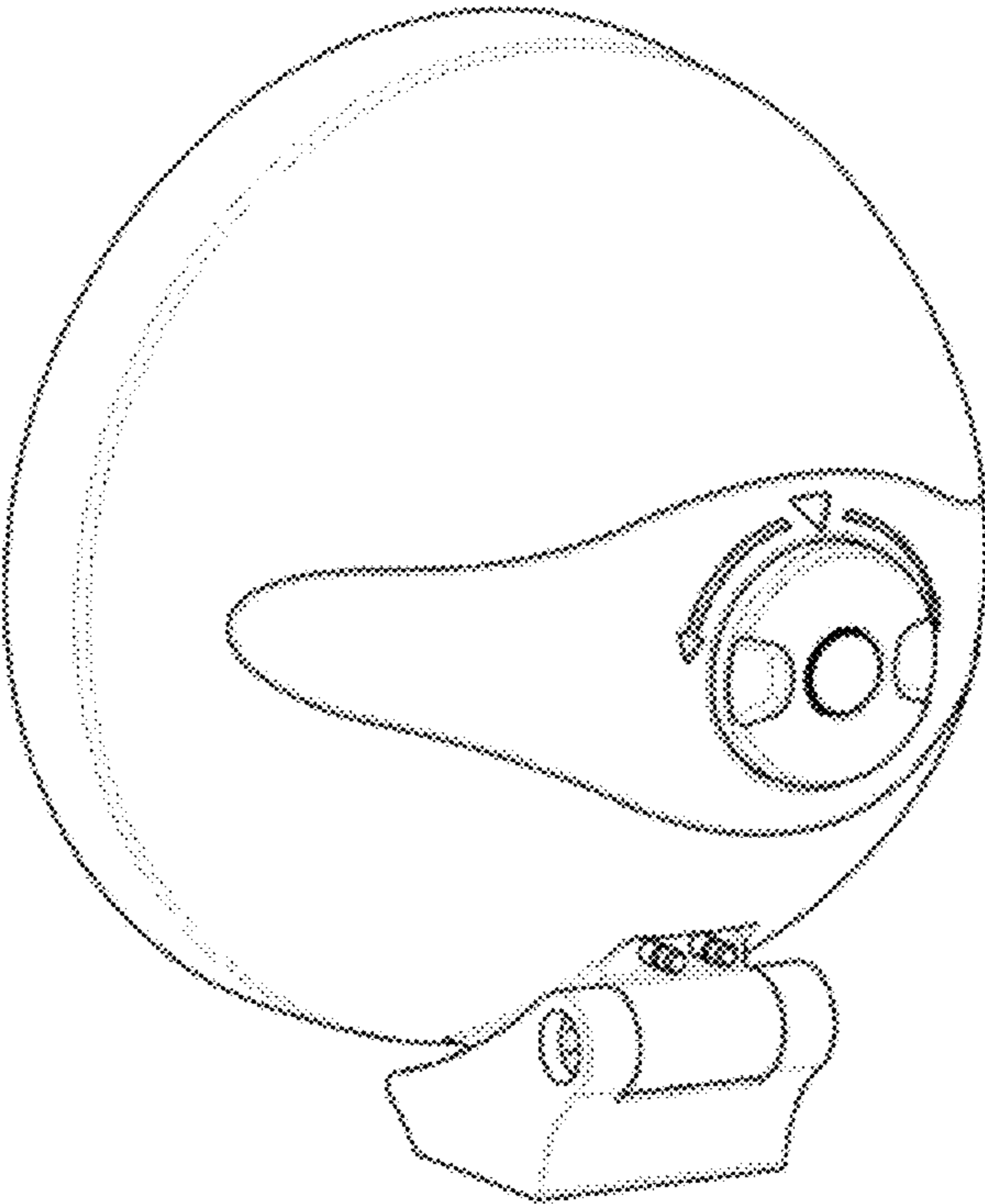


FIG 2

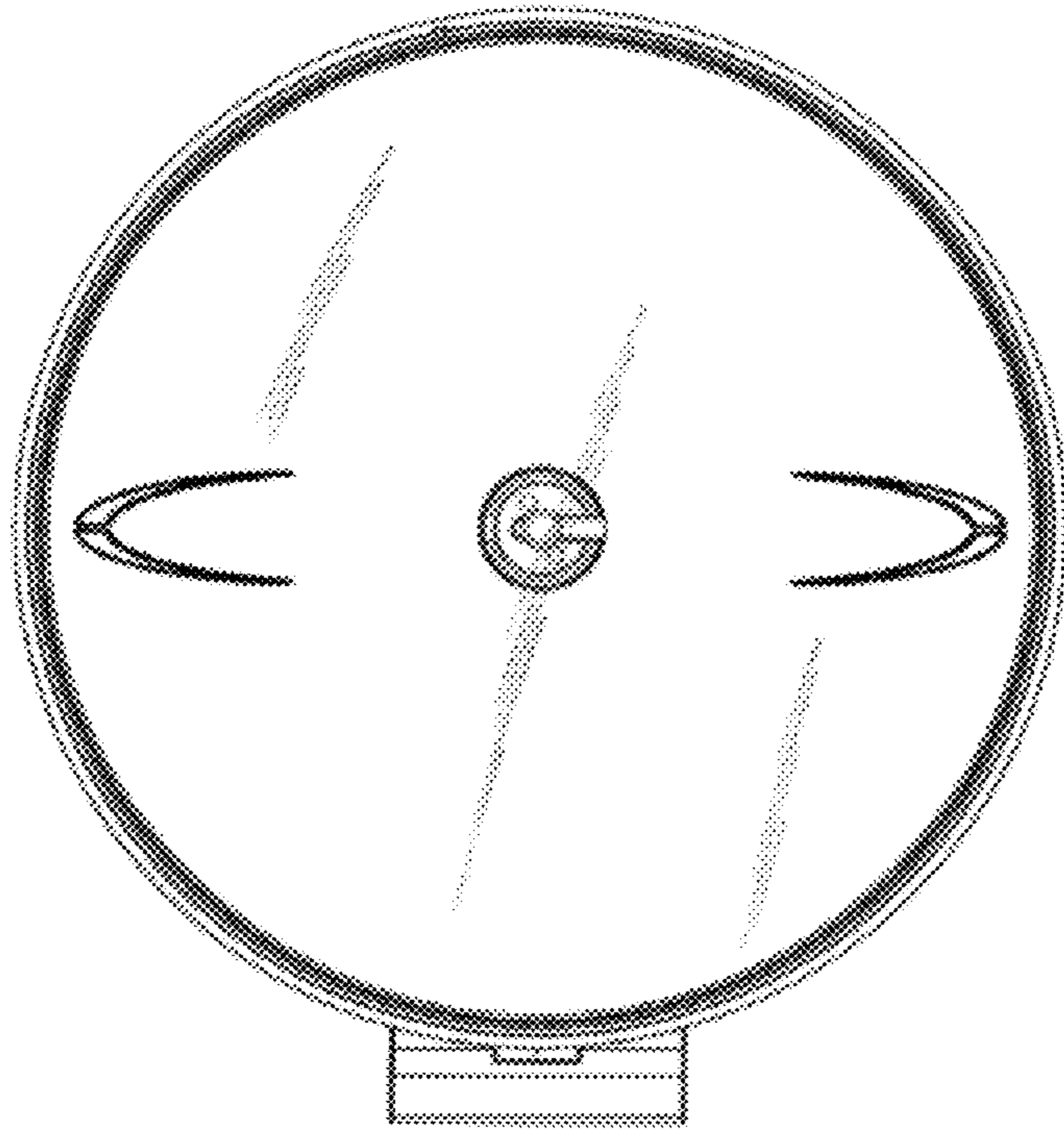


FIG 3

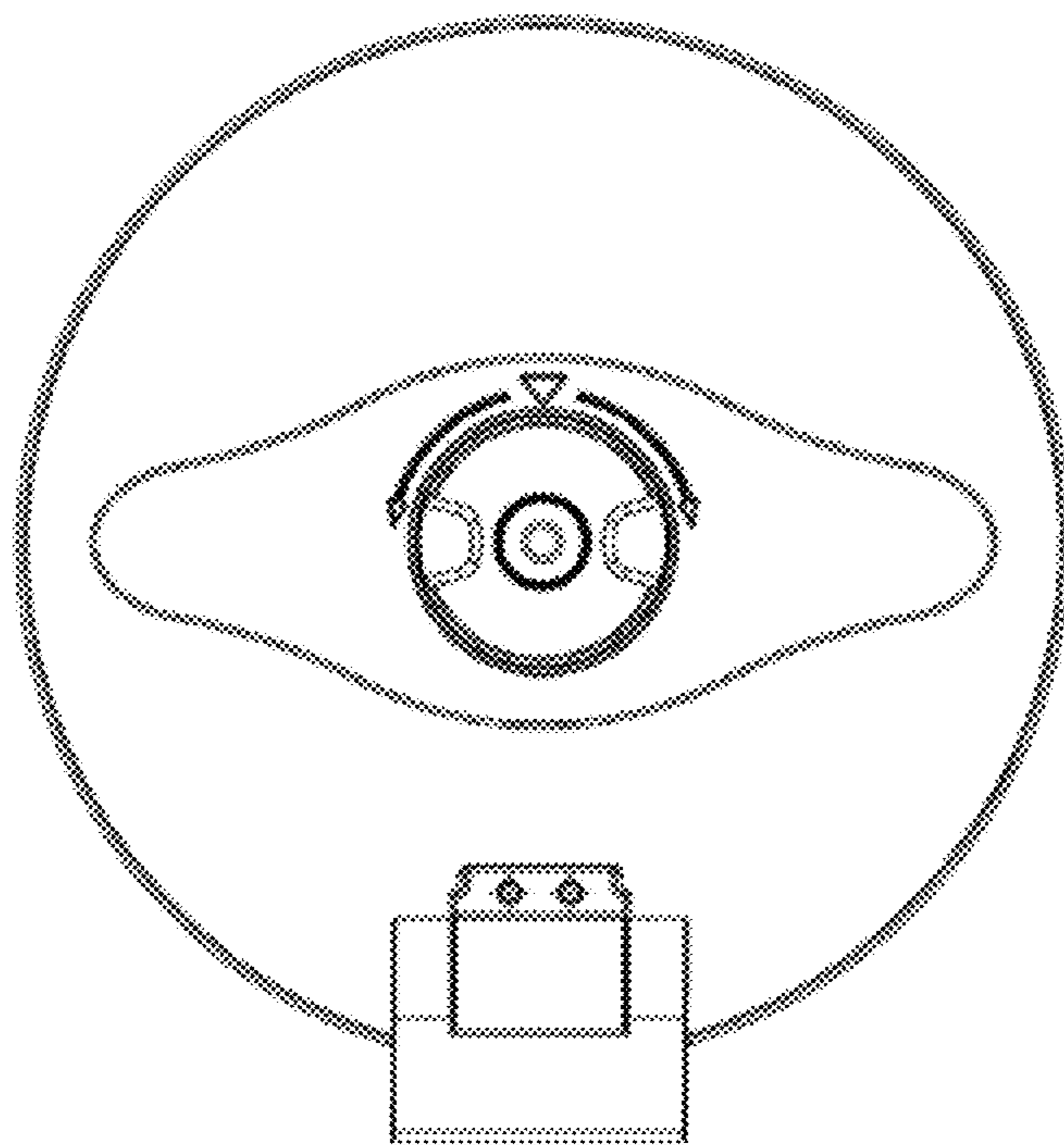


FIG 4

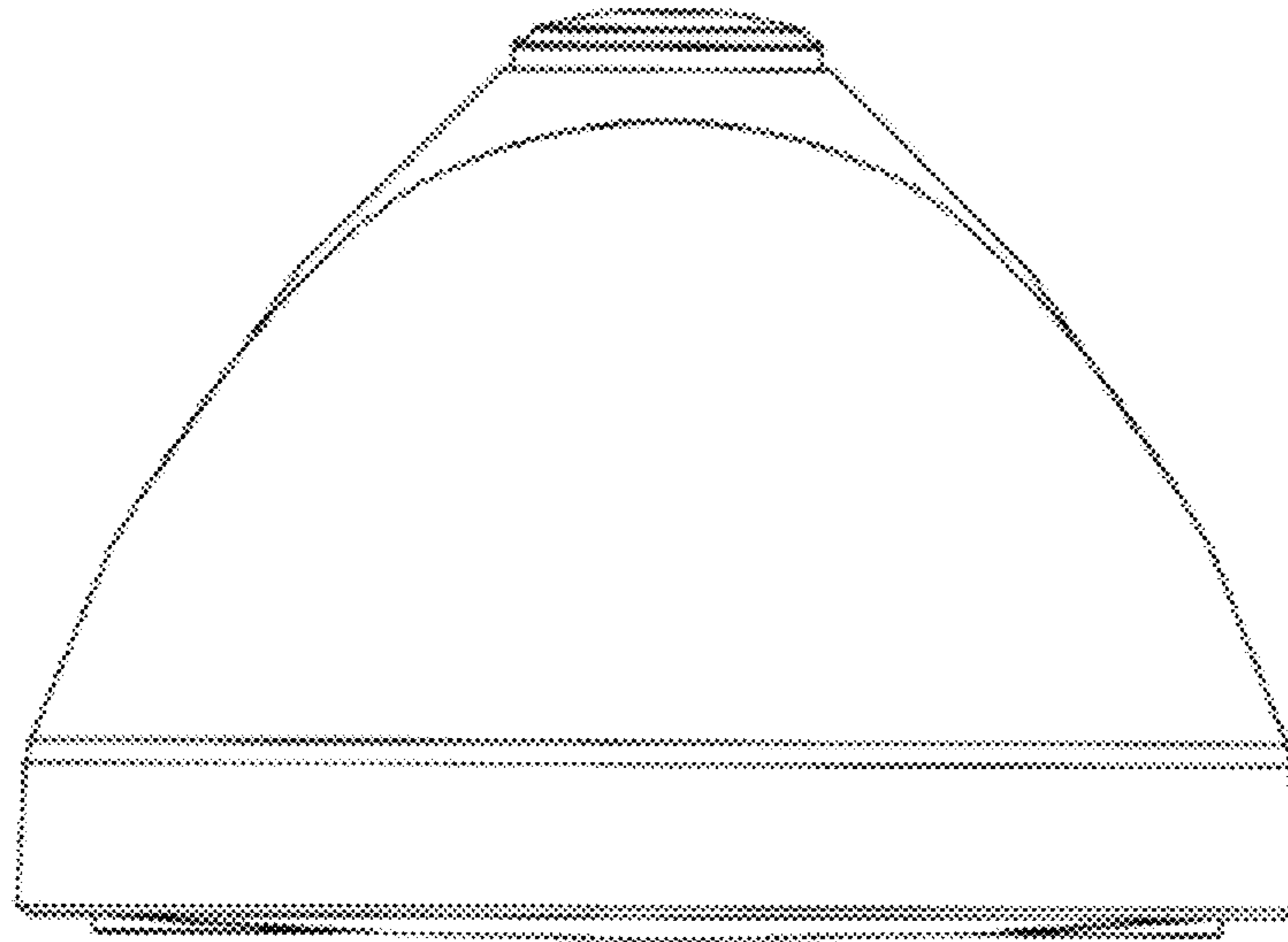


FIG 5

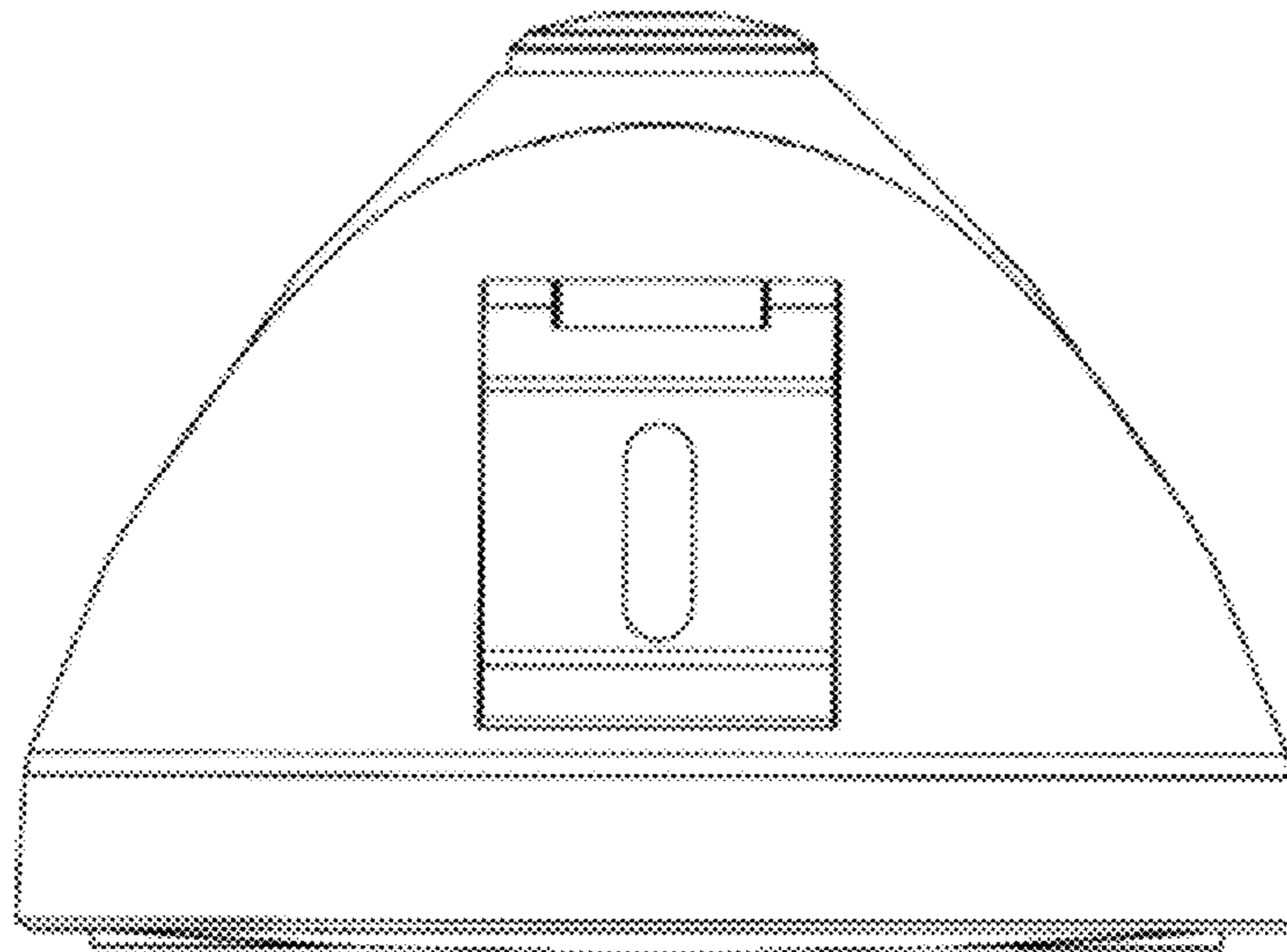


FIG 6

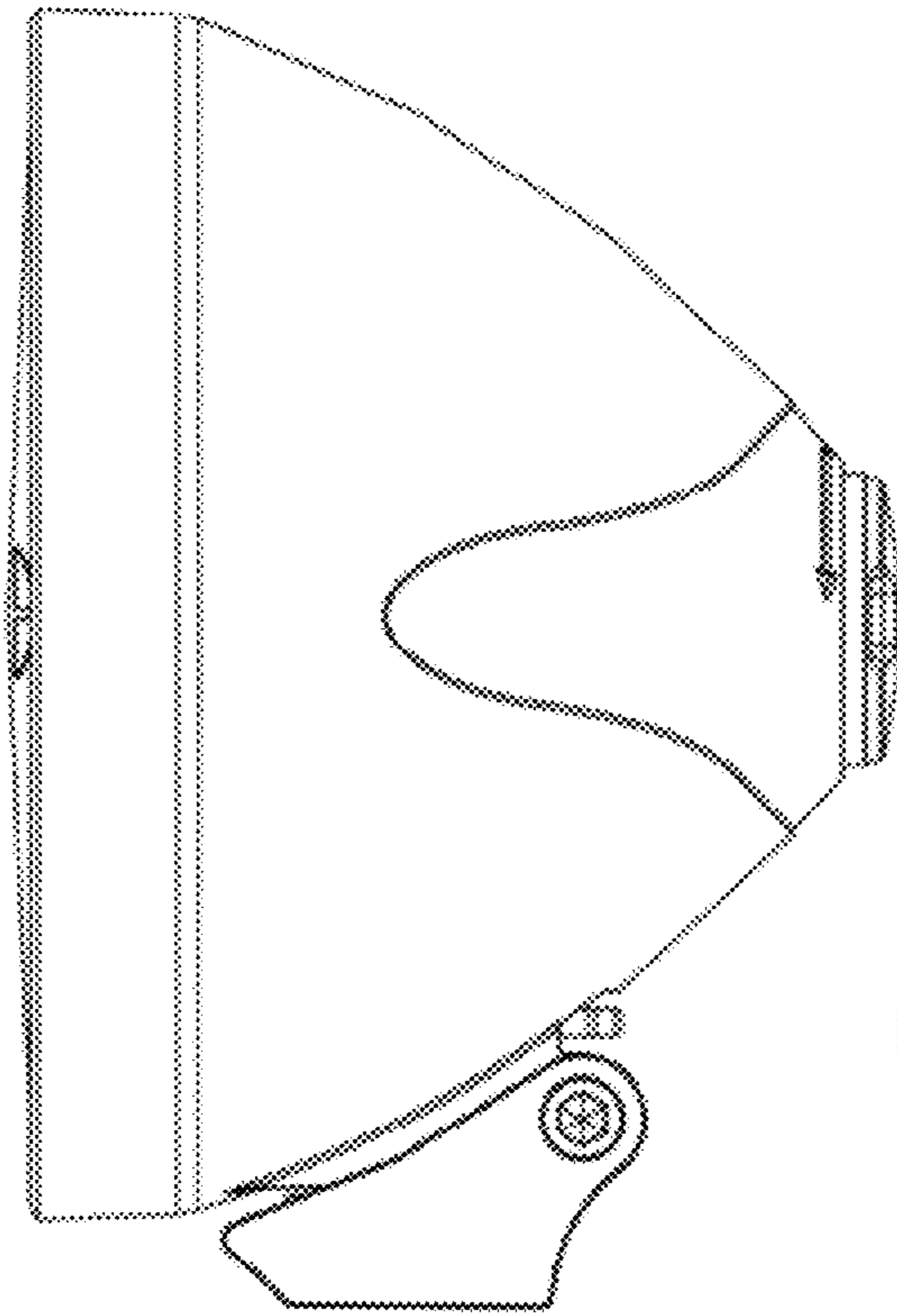


FIG 7

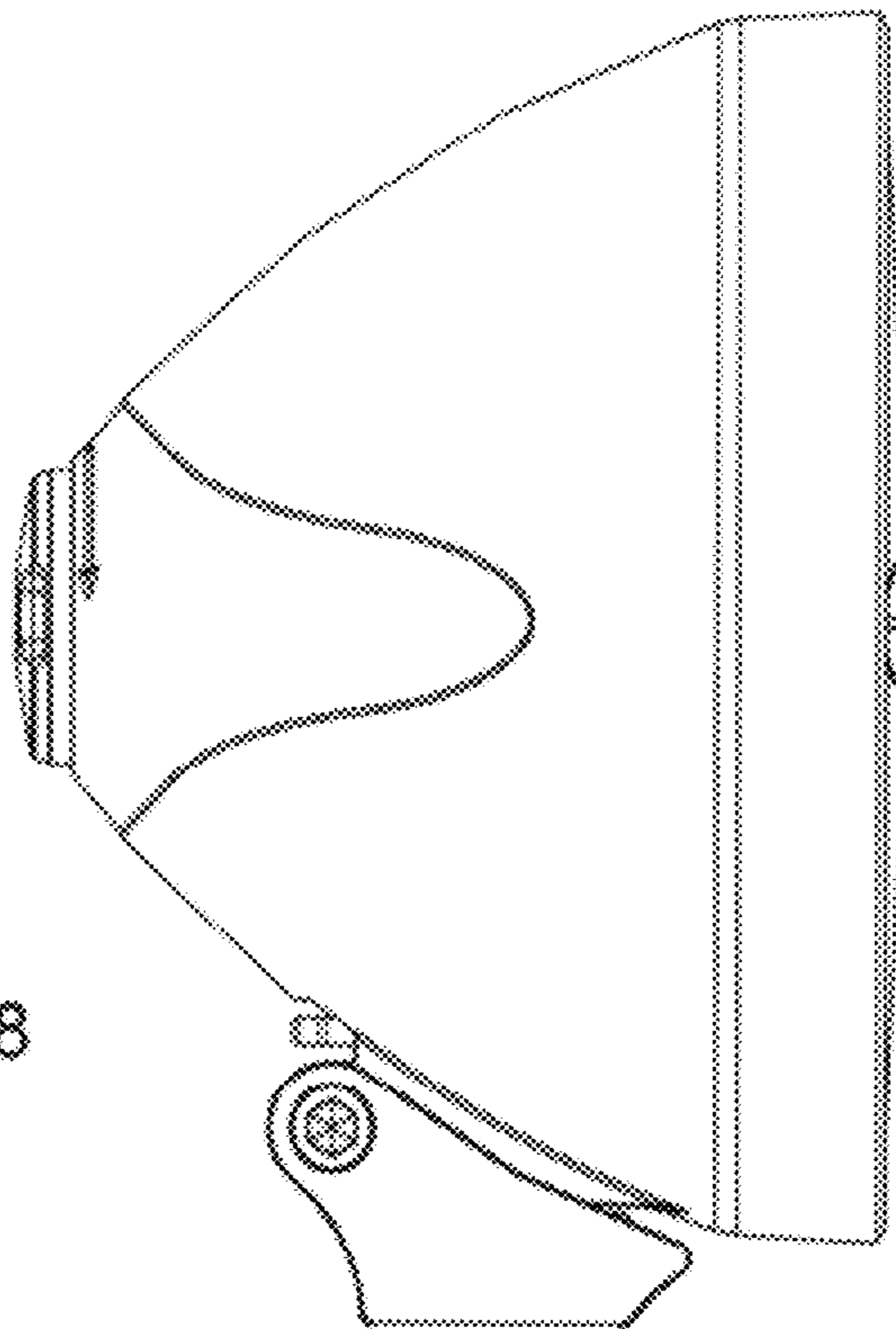


FIG 8