



US00D657078S

(12) **United States Design Patent**
Sinai et al.

(10) **Patent No.:** **US D657,078 S**

(45) **Date of Patent:** **** Apr. 3, 2012**

(54) **ELECTRODELESS LIGHT FIXTURE**

Primary Examiner — Marcus Jackson

(76) Inventors: **Saman Sinai**, Los Angeles, CA (US);
Benjamin Pouladian, Los Angeles, CA
(US)

(74) *Attorney, Agent, or Firm* — Omni Legal Group; Omid
E. Khalifeh

(**) **Term:** **14 Years**

(57) **CLAIM**

The ornamental design for an electrodeless light fixture, as
shown and described.

(21) **Appl. No.:** **29/363,366**

(22) **Filed:** **Jun. 8, 2010**

DESCRIPTION

(51) **LOC (9) Cl.** **26-04**

FIG. 1 is a perspective view of an electrodeless light fixture
according to the present invention;

(52) **U.S. Cl.** **D26/3**

FIG. 2 is a top view of an electrodeless light fixture according
to the present invention;

(58) **Field of Classification Search** D26/1-4;
313/313, 315, 316, 317, 318, 493; 315/52,
315/53, 56, 57, 58

FIG. 3 is a bottom view of an electrodeless light fixture
according to the present invention;

See application file for complete search history.

FIG. 4 is a first side view of an electrodeless light fixture
according to the present invention; and,

(56) **References Cited**

U.S. PATENT DOCUMENTS

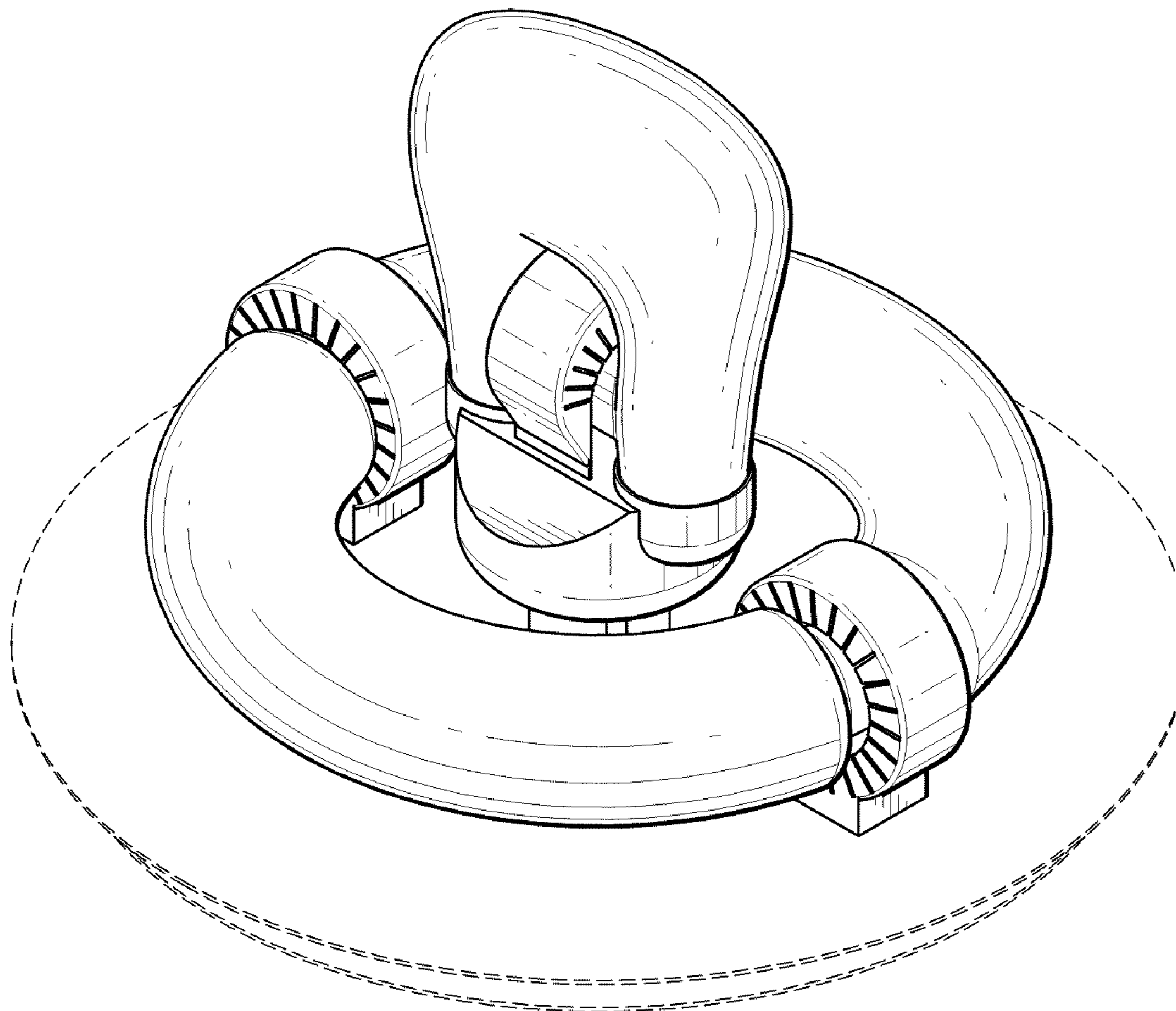
D562,471 S *	2/2008	He	D26/3
D577,132 S *	9/2008	Itaya et al.	D26/3
D593,225 S *	5/2009	He	D26/3
D597,227 S *	7/2009	Kim et al.	D26/3

FIG. 5 is a second side view of an electrodeless light fixture
according to the present invention.

The broken lines shown in the drawings are for the purpose of
illustrating portions of the light fixture and form no part of the
claimed design.

* cited by examiner

1 Claim, 3 Drawing Sheets



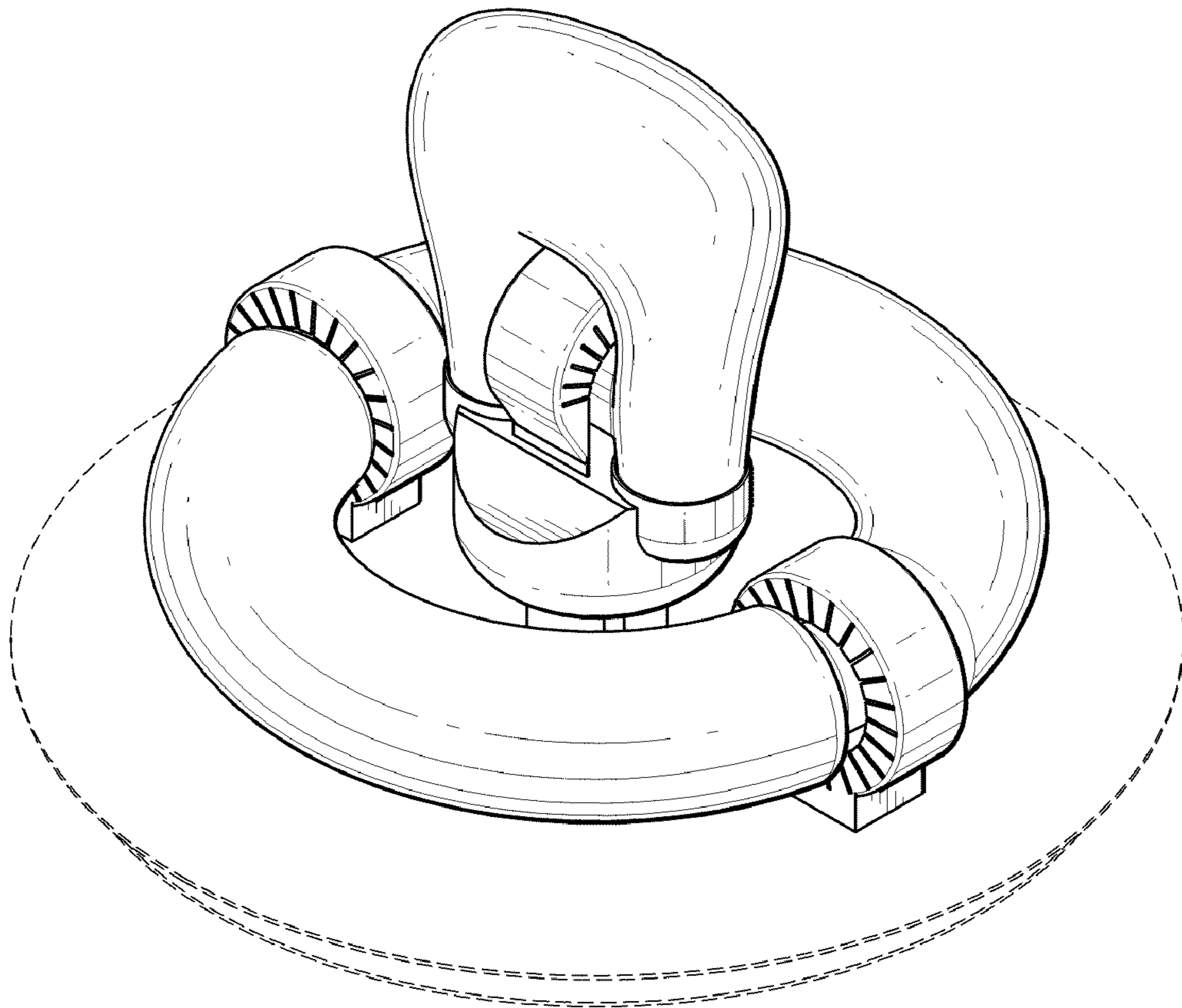


FIG. 1

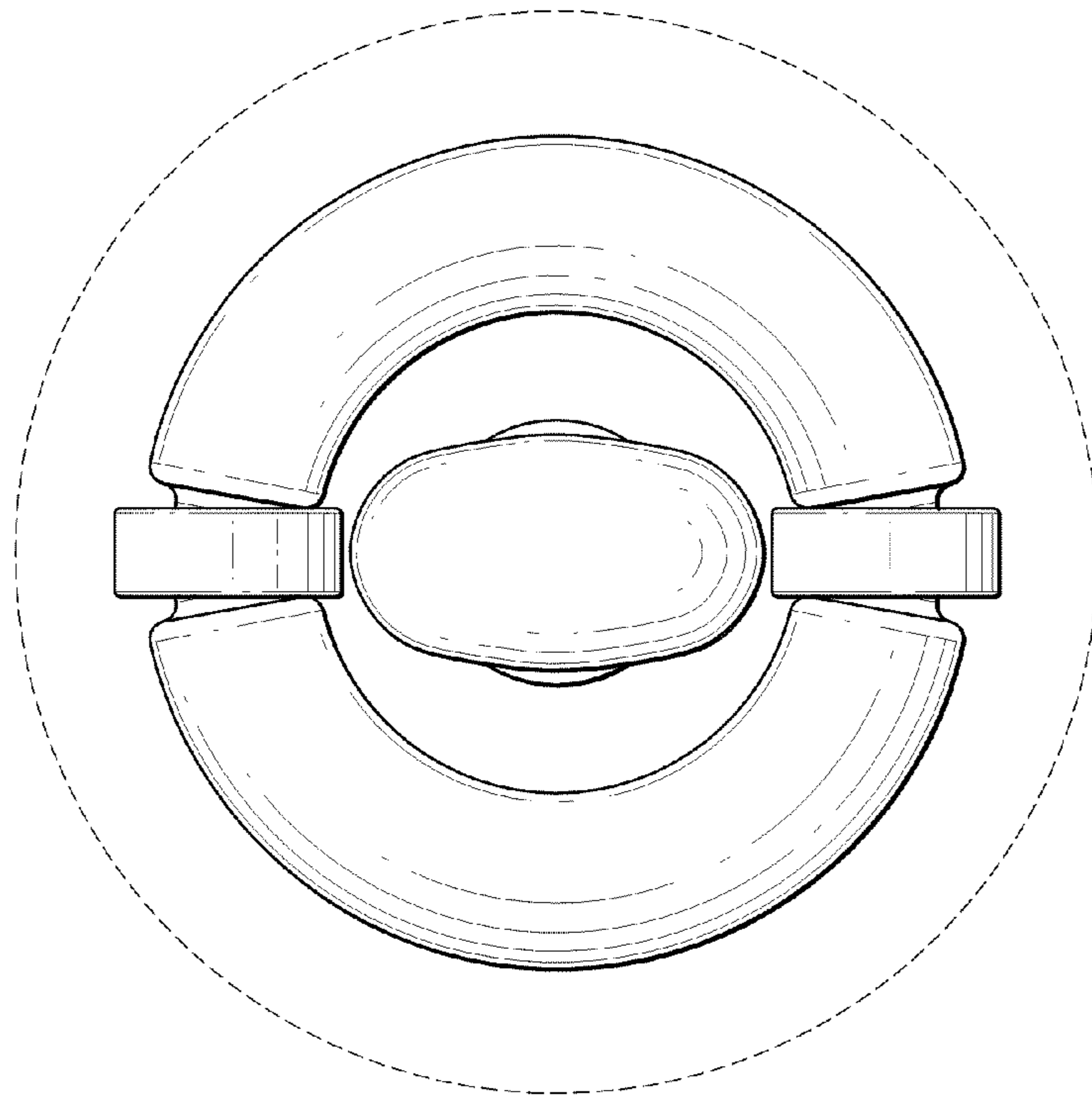


FIG. 2

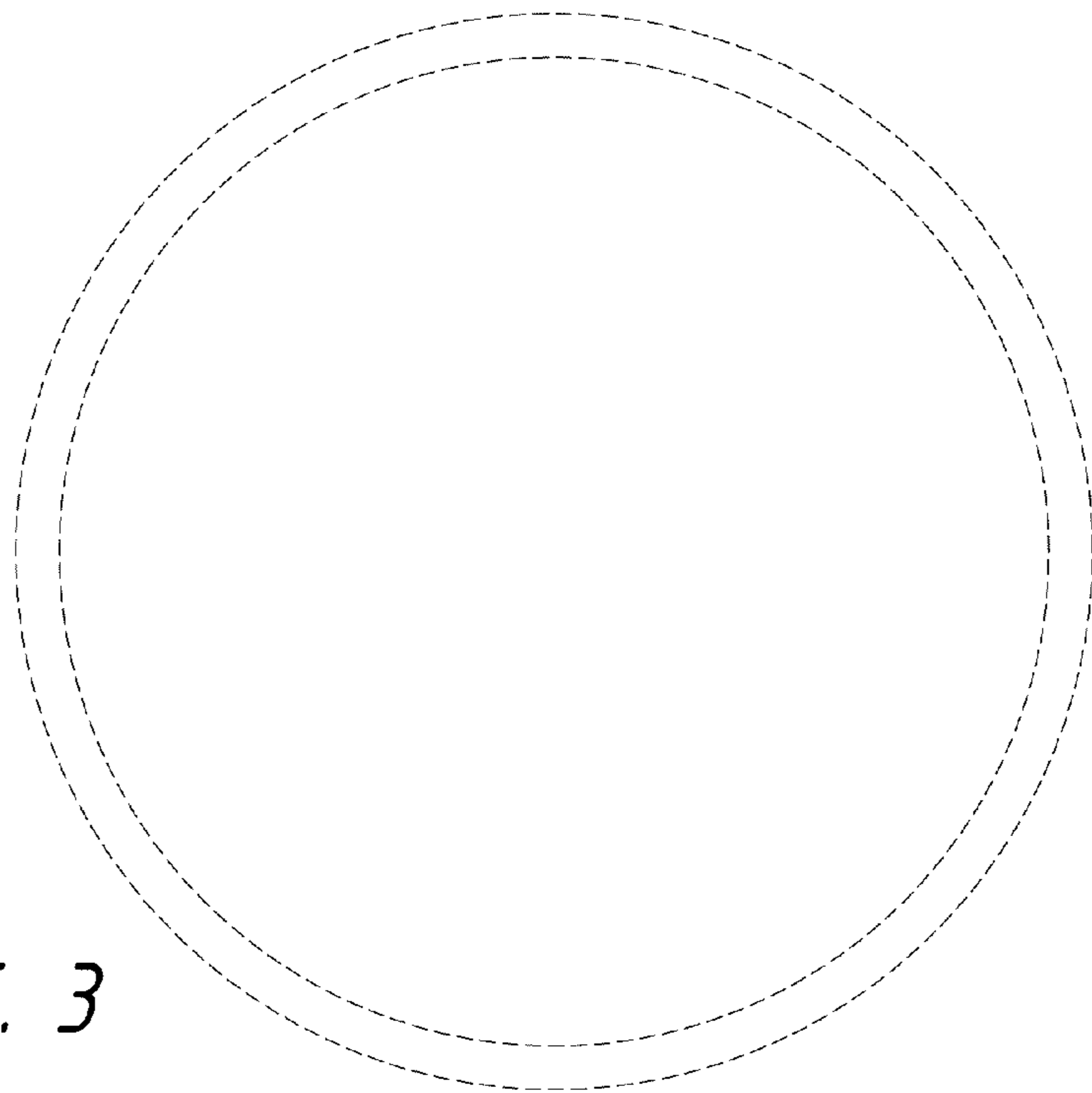


FIG. 3

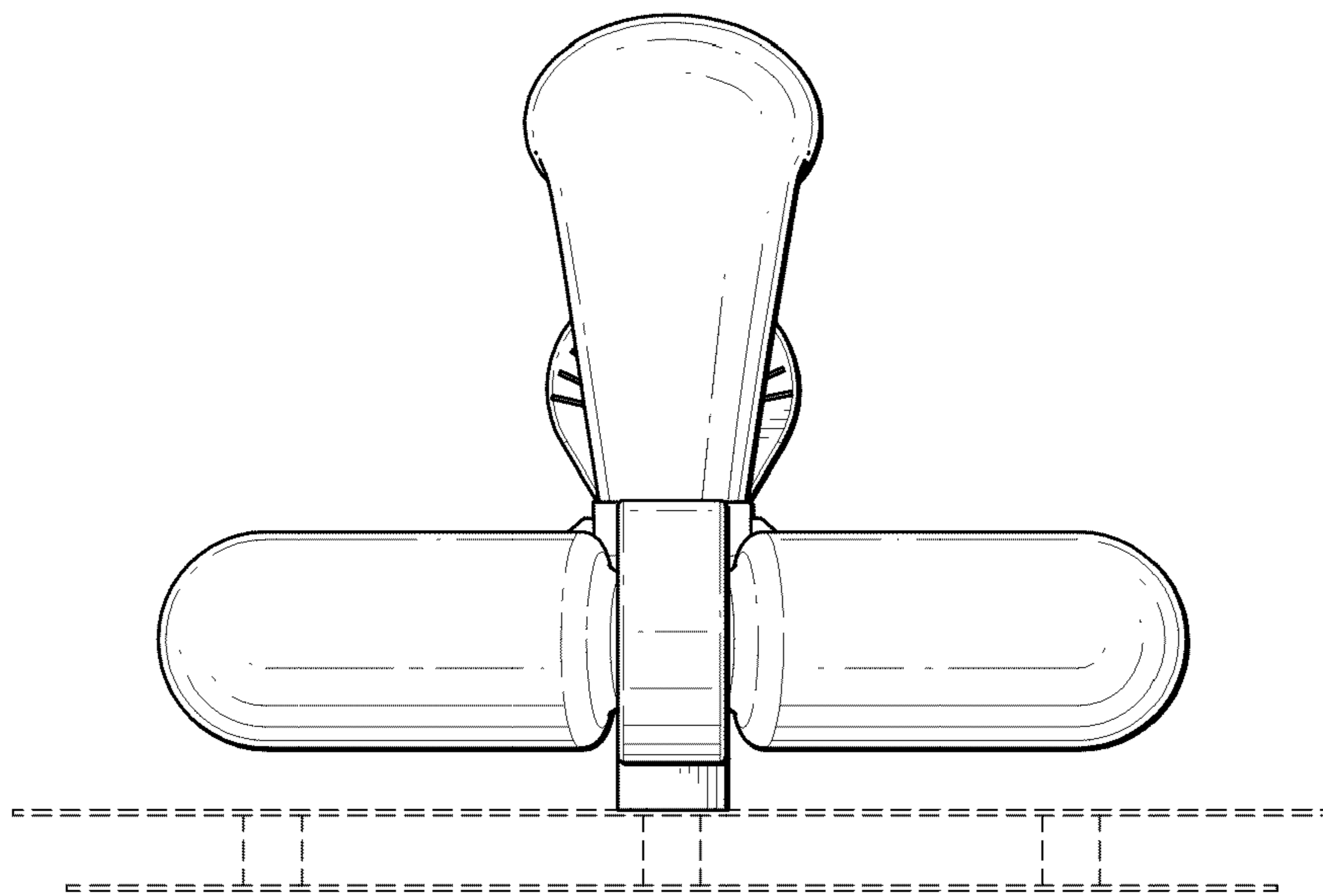


FIG. 4

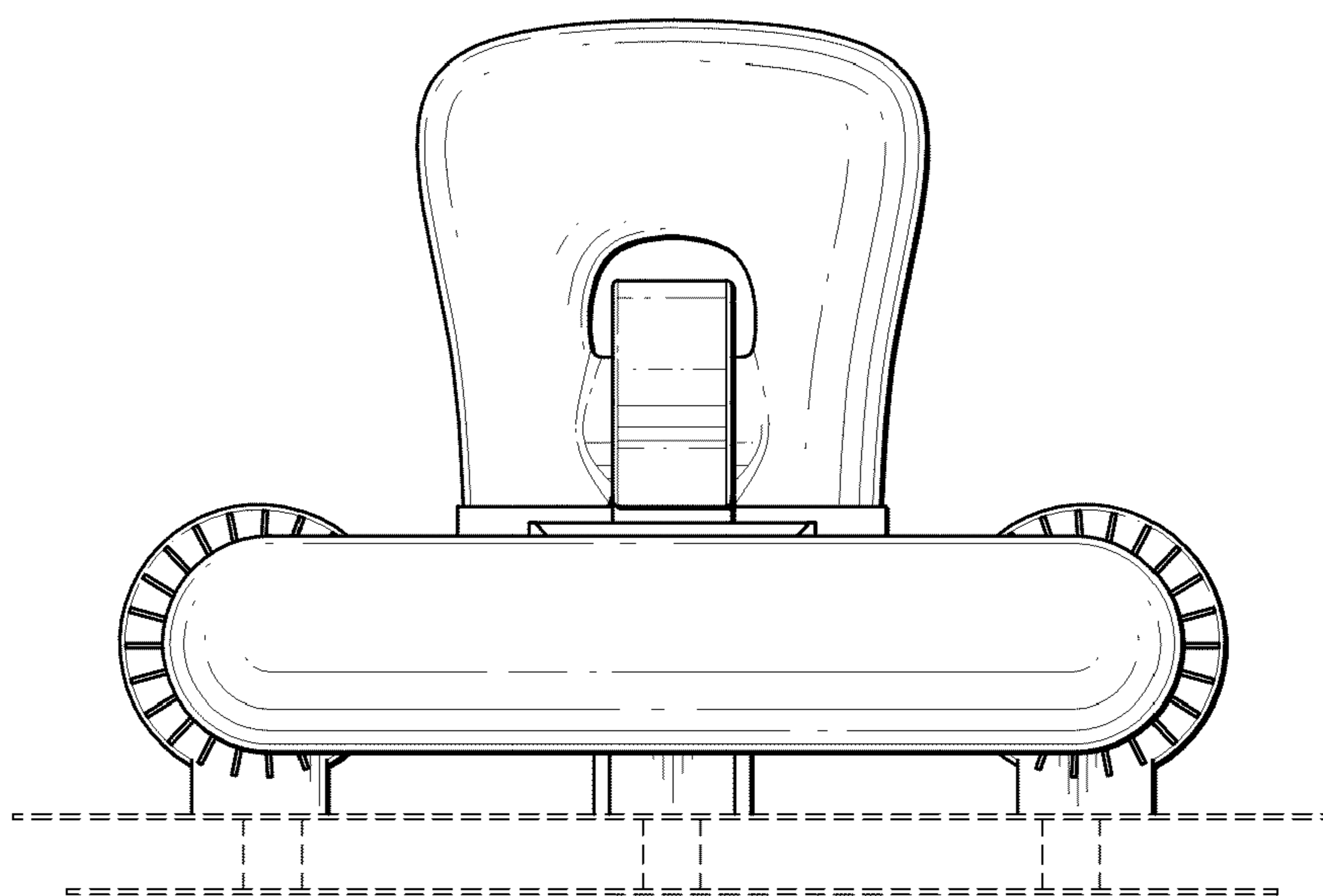


FIG. 5