



US00D657077S

(12) **United States Design Patent**
Beregszaszi et al.

(10) **Patent No.:** **US D657,077 S**

(45) **Date of Patent:** **** Apr. 3, 2012**

(54) **LED LAMP**

D551,784 S * 9/2007 Krieglmeier et al. D26/2
D572,385 S * 7/2008 Mazzochette et al. D26/2
D601,275 S * 9/2009 Ho et al. D26/2

(75) Inventors: **Andrew Howard Beregszaszi**,
Philadelphia, NJ (US); **Edward Ernest**
Bailey, Westampton, NJ (US)

* cited by examiner

Primary Examiner — Marcus Jackson

(73) Assignee: **Illumination Machines**, Mount Laurel,
NJ (US)

(57) **CLAIM**
The ornamental design for a LED lamp, as shown and
described.

(**) Term: **14 Years**

DESCRIPTION

(21) Appl. No.: **29/389,955**

FIG. 1 is a perspective view of the front left side of an LED
lamp;

(22) Filed: **Apr. 19, 2011**

FIG. 2 is a plan view of the front of the LED lamp of FIG. 1;

(51) **LOC (9) Cl.** **26-04**

FIG. 3 is a plan view of the left side of the LED lamp of FIG.
1;

(52) **U.S. Cl.** **D26/2**

FIG. 4 is a plan view of the right side of the LED lamp of FIG.
1;

(58) **Field of Classification Search** D26/1-4;
313/313, 315, 316, 317, 318, 493; 315/52,
315/53, 56, 57, 58

FIG. 5 is a plan view of the top of the LED lamp of FIG. 1;
FIG. 6 is a plan view of the back of the LED lamp of FIG. 1;
and,

See application file for complete search history.

FIG. 7 is a plan view of the bottom of the LED lamp of FIG.
1.

The broken lines are for illustrative purposes only, and their
presence and position form no part of the claimed design.

(56) **References Cited**

U.S. PATENT DOCUMENTS

D530,836 S * 10/2006 Johnson D26/2
D545,457 S * 6/2007 Chen D26/2

1 Claim, 7 Drawing Sheets

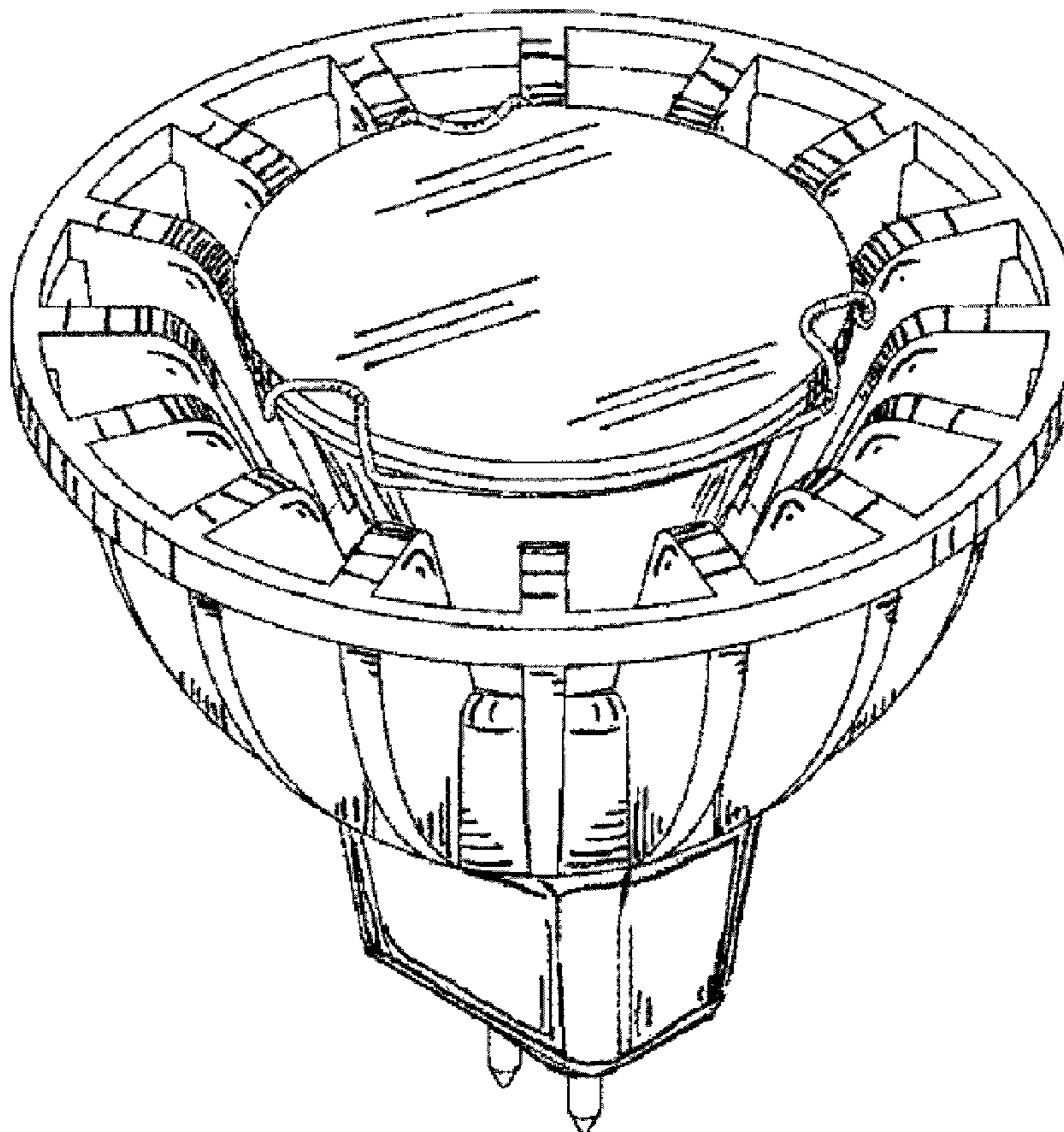


FIGURE 1

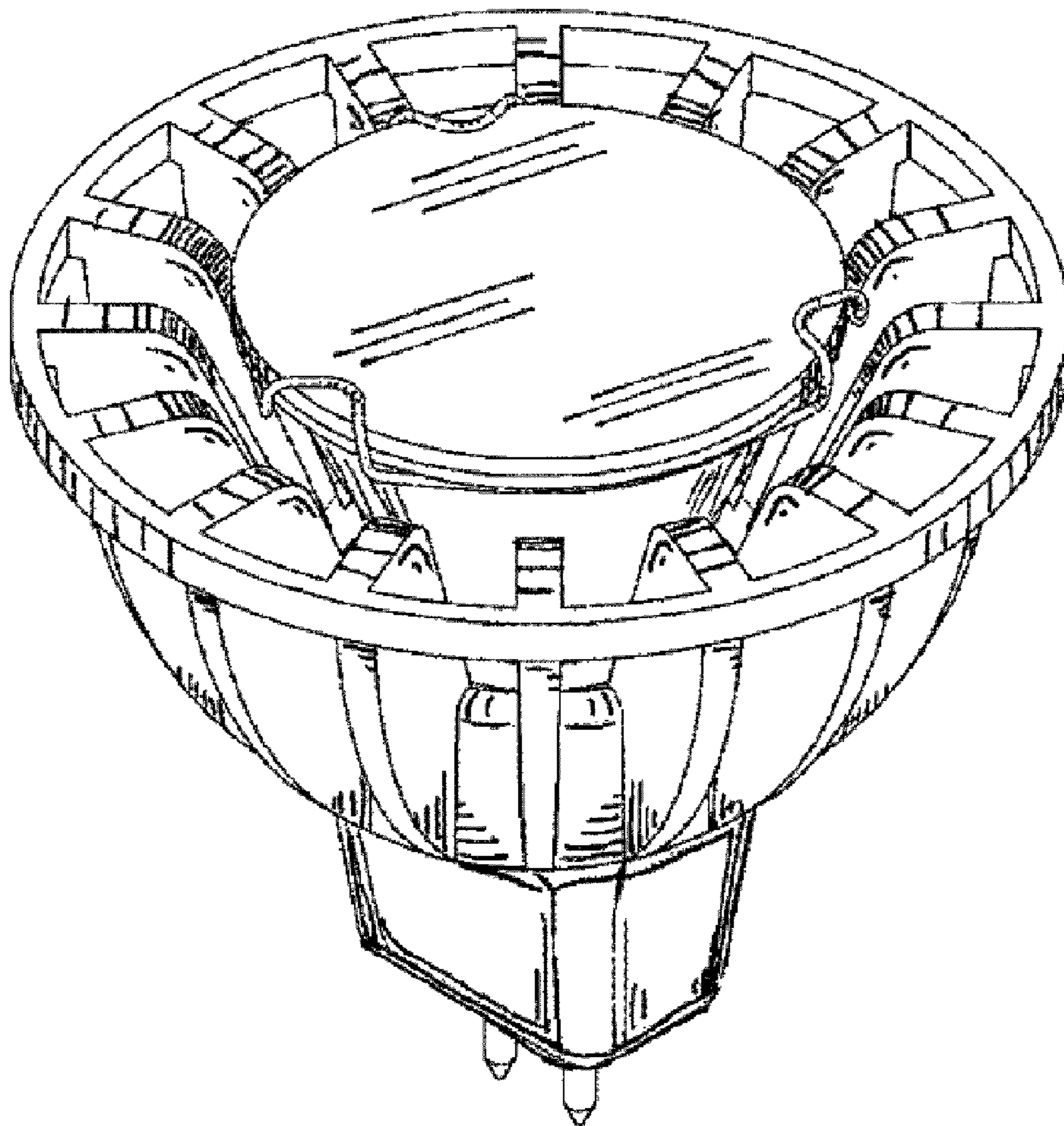


FIGURE 2

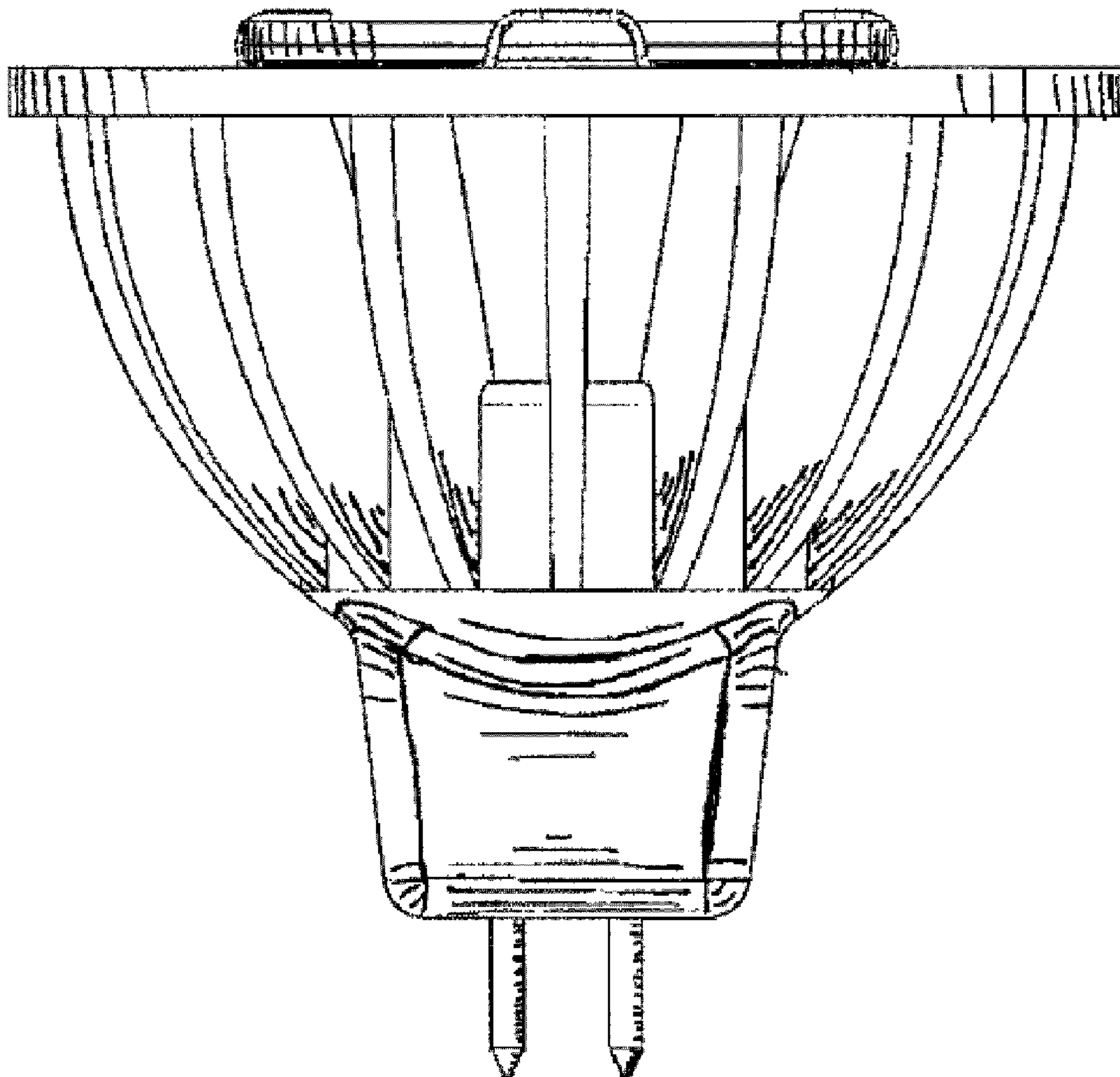


FIGURE 3

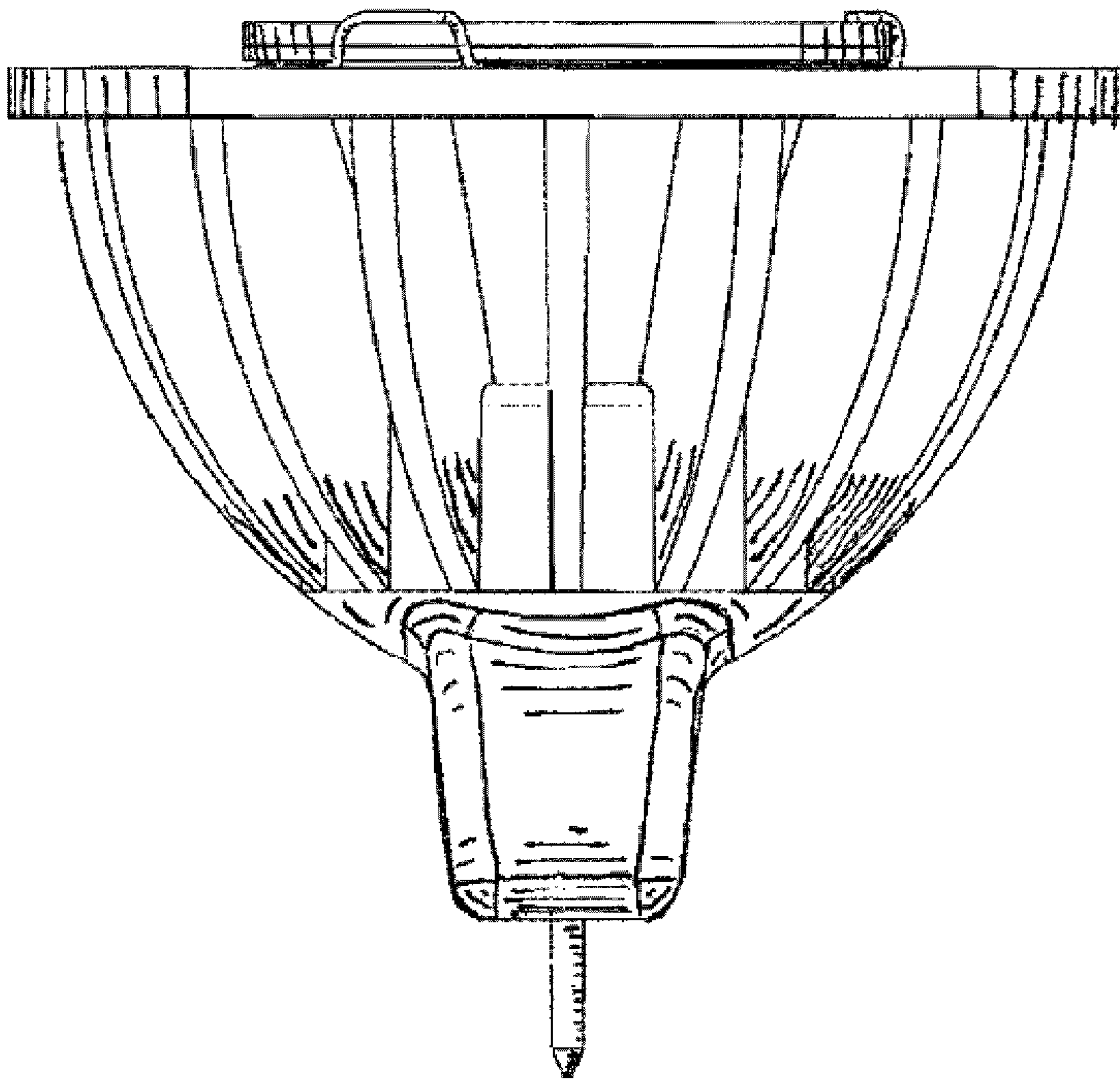


FIGURE 4

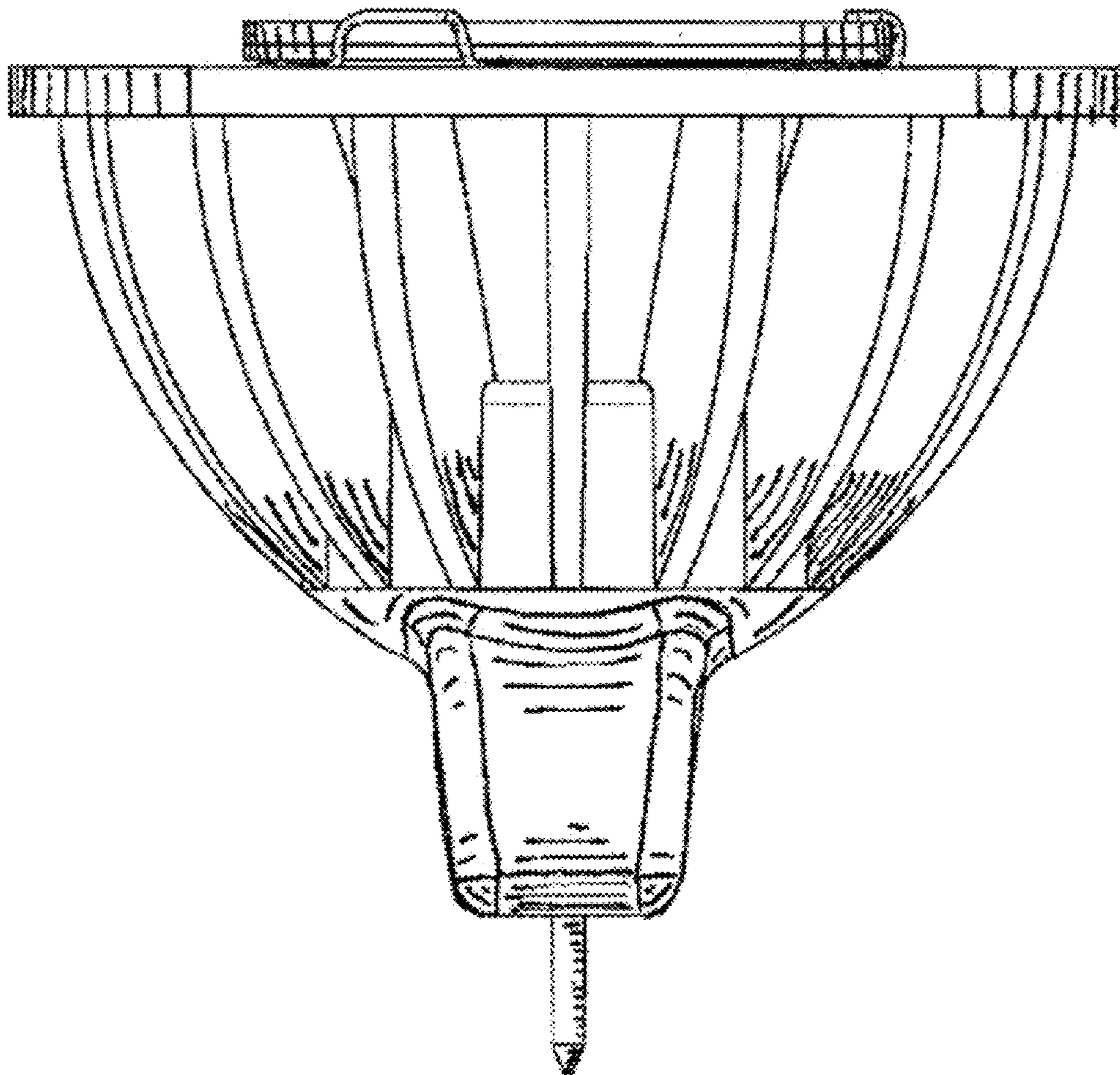


FIGURE 5

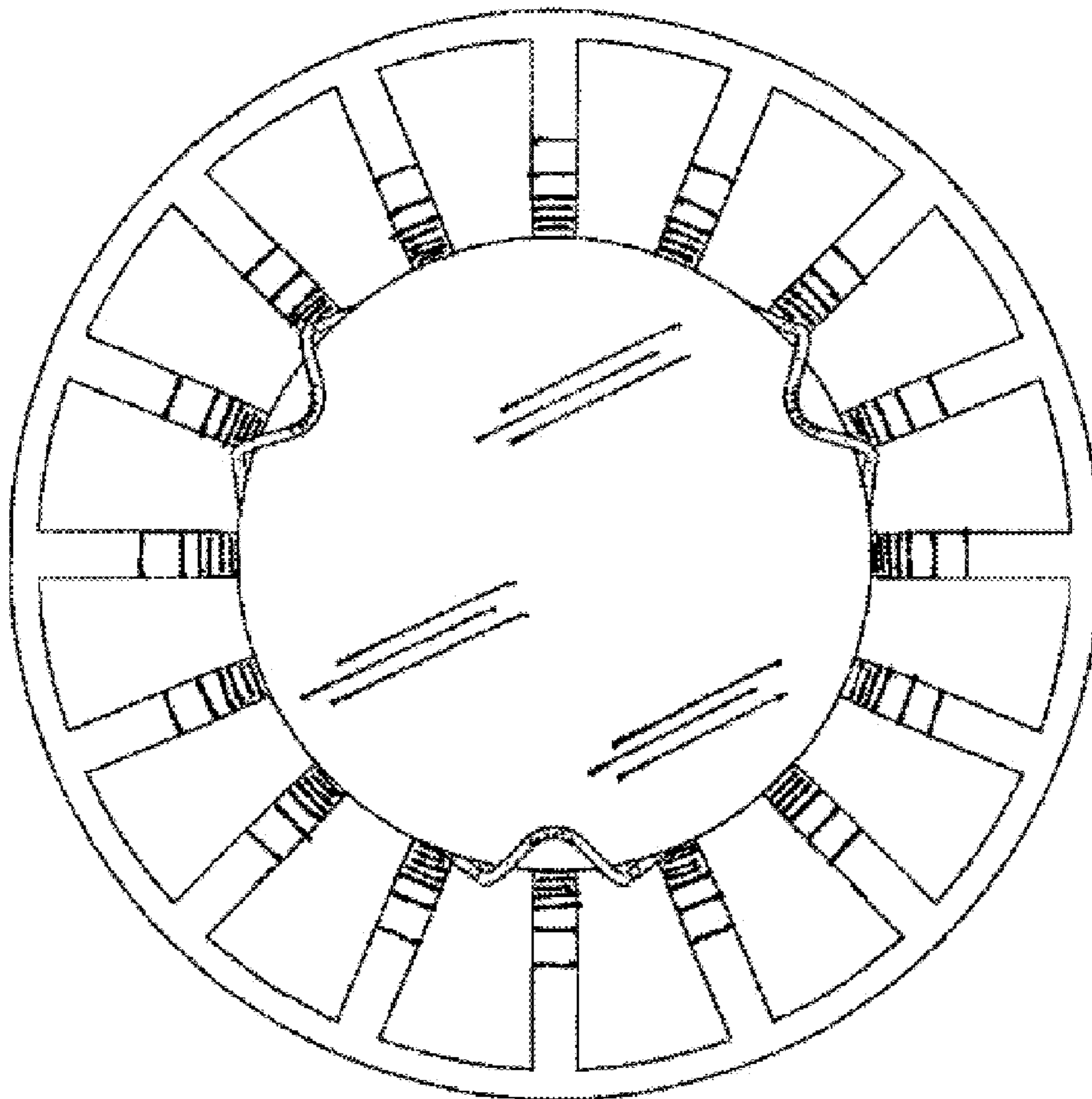


FIGURE 6

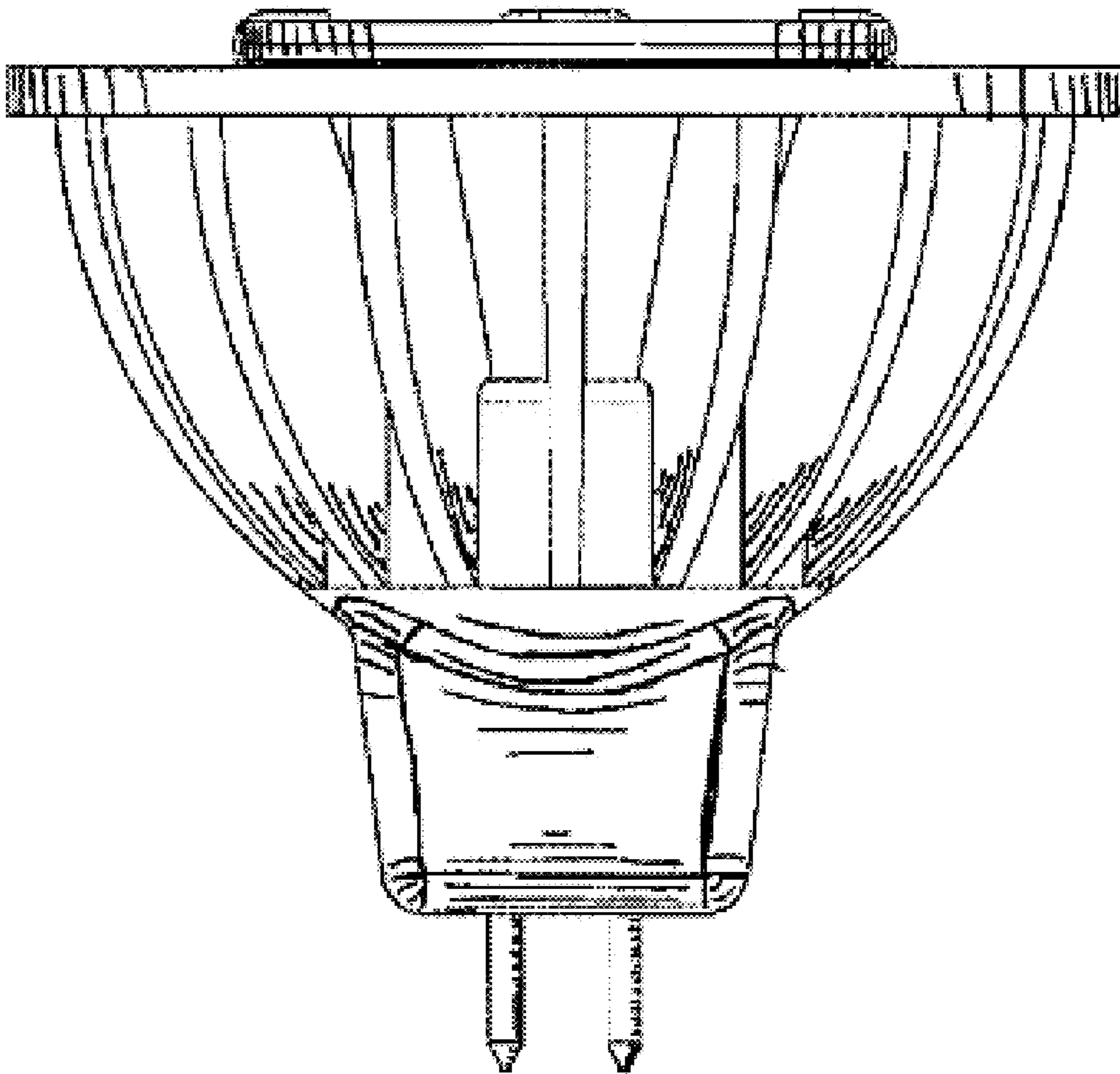


FIGURE 7

