



US00D657076S

(12) **United States Design Patent**
Johnston et al.

(10) **Patent No.:** **US D657,076 S**
(45) **Date of Patent:** **** Apr. 3, 2012**

(54) **LIGHT BULB**

(56) **References Cited**

(75) Inventors: **Raymond P. Johnston**, Lake Elmo, MN (US); **Martin E. Broen**, Milan (IT); **Robert L. Brott**, Woodbury, MN (US); **Jorge C. Ceballos**, Pcia Buenos Aires (AR); **Charles N. Devore**, Hugo, MN (US); **Andrew R. Fox**, Oakland, MN (US); **Karl J. L. Geisler**, St. Paul, MN (US); **Kayla A. Hagens**, Cottage Grove, MN (US); **Sean C. McGreevy**, St. Paul, MN (US); **Hamid R. Mortazavi**, Woodbury, MN (US)

U.S. PATENT DOCUMENTS

D627,085	S	*	11/2010	Duan et al.	D26/2
D629,929	S	*	12/2010	Chen et al.	D26/2
D633,226	S	*	2/2011	Katsaros	D26/2
D634,451	S	*	3/2011	de Visser	D26/2
D642,704	S	*	8/2011	Hagens et al.	D26/2
2011/0032708	A1		2/2011	Johnston et al.		

* cited by examiner

(73) Assignee: **3M Innovative Properties Company**, St. Paul, MN (US)

(57) **CLAIM**

The ornamental design for light bulb, as shown and described.

(**) Term: **14 Years**

DESCRIPTION

(21) Appl. No.: **29/388,703**

FIG. 1 is a perspective view of a light bulb showing the new design;

(22) Filed: **Mar. 31, 2011**

FIG. 2 is a front view thereof;

(51) **LOC (9) Cl.** **26-04**

FIG. 3 is a rear view thereof;

(52) **U.S. Cl.** **D26/2**

FIG. 4 is a left side view thereof;

(58) **Field of Classification Search** D26/1-4;

FIG. 5 is a right side view thereof;

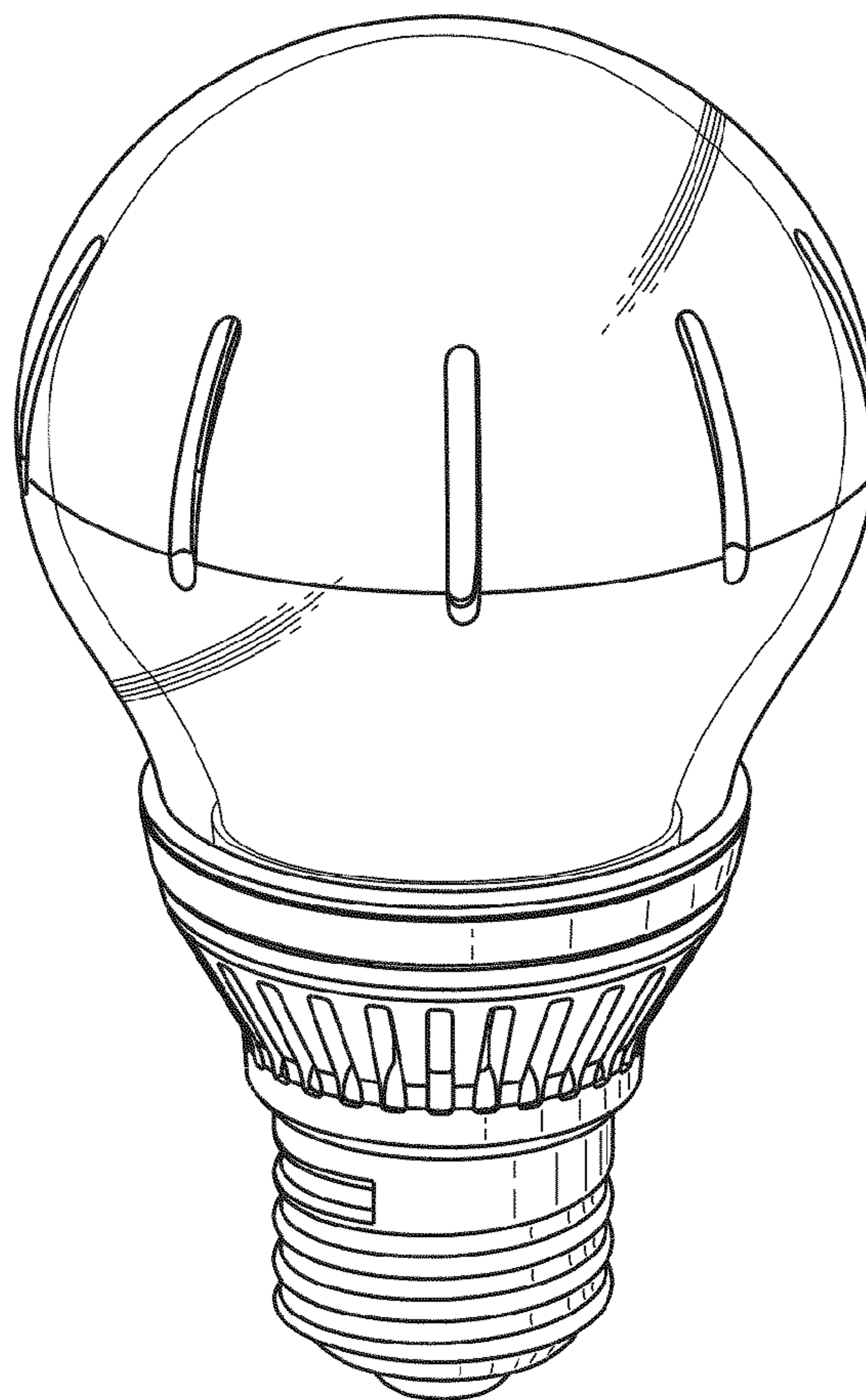
313/313, 315, 316, 317, 318, 493; 315/52, 315/53, 56, 57, 58

FIG. 6 is a top view thereof; and,

FIG. 7 is a bottom view thereof.

See application file for complete search history.

1 Claim, 3 Drawing Sheets



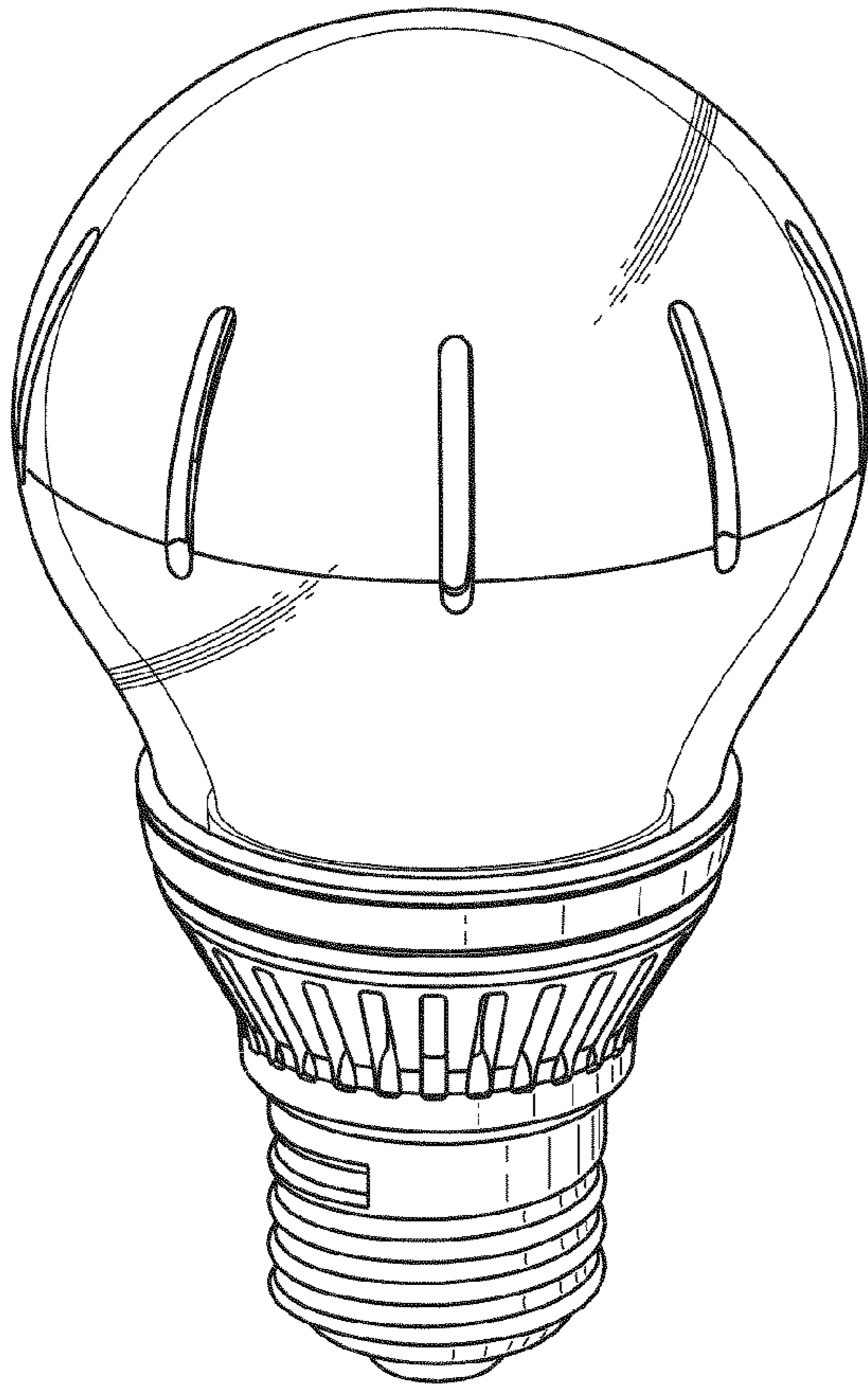


Fig. 1

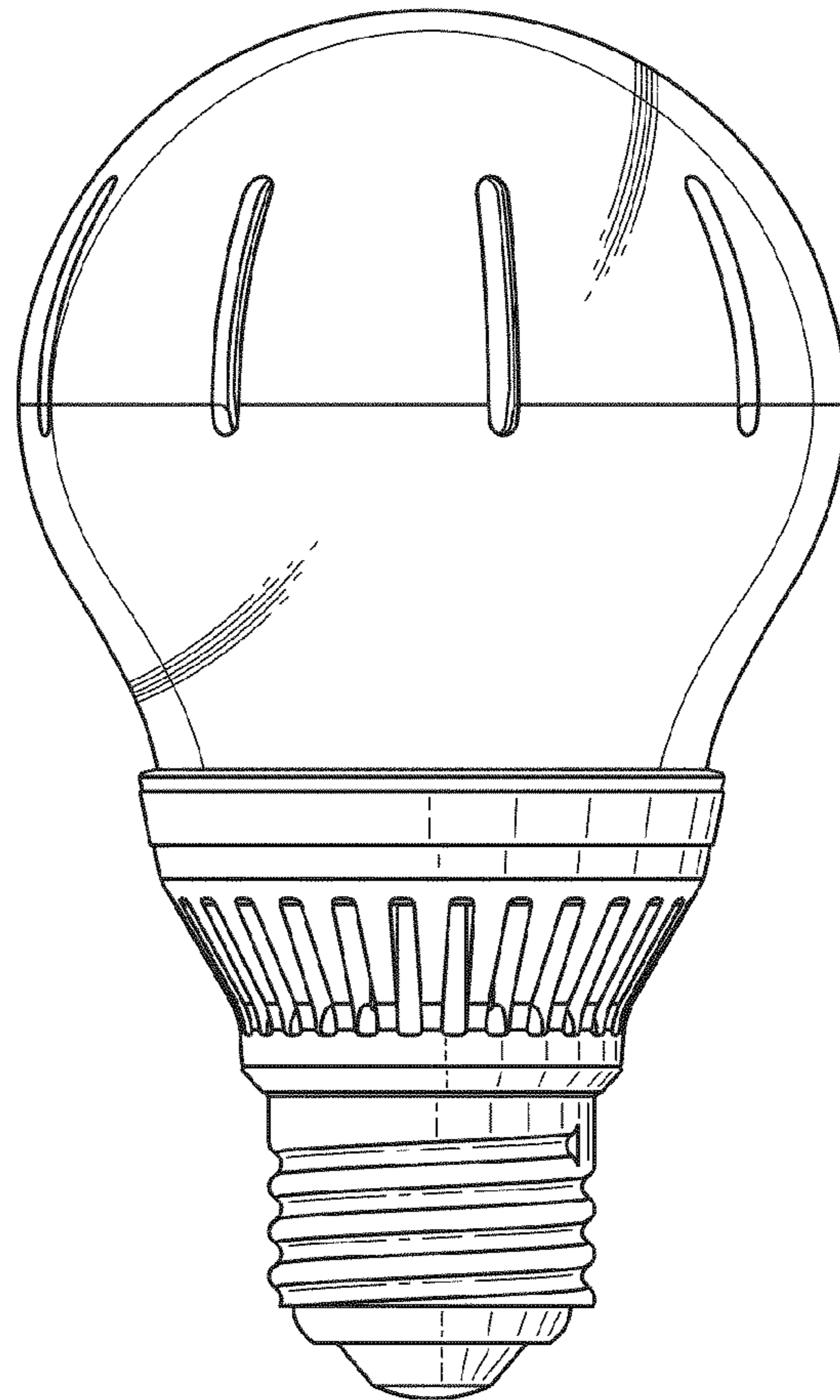


Fig. 2

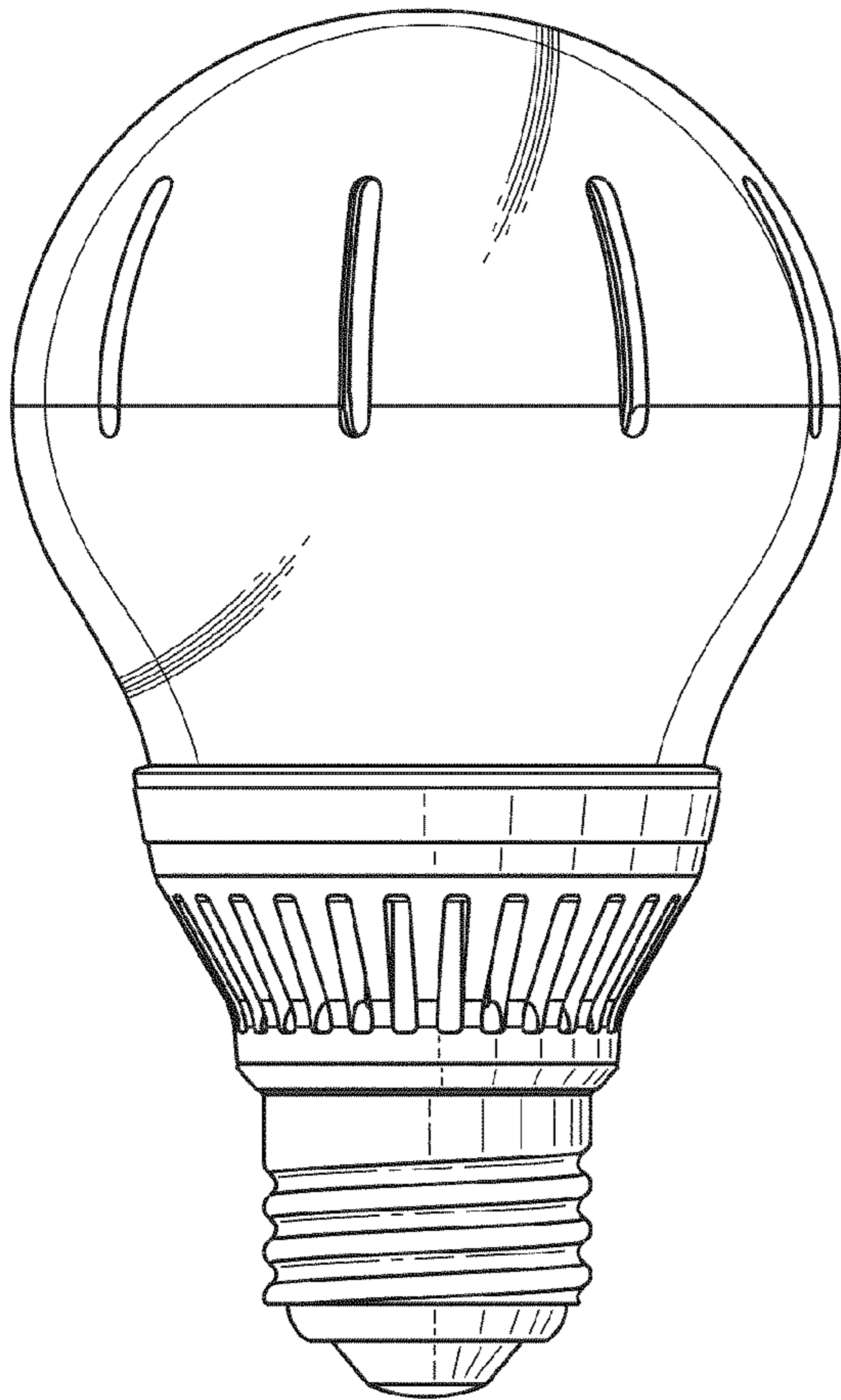


Fig. 3

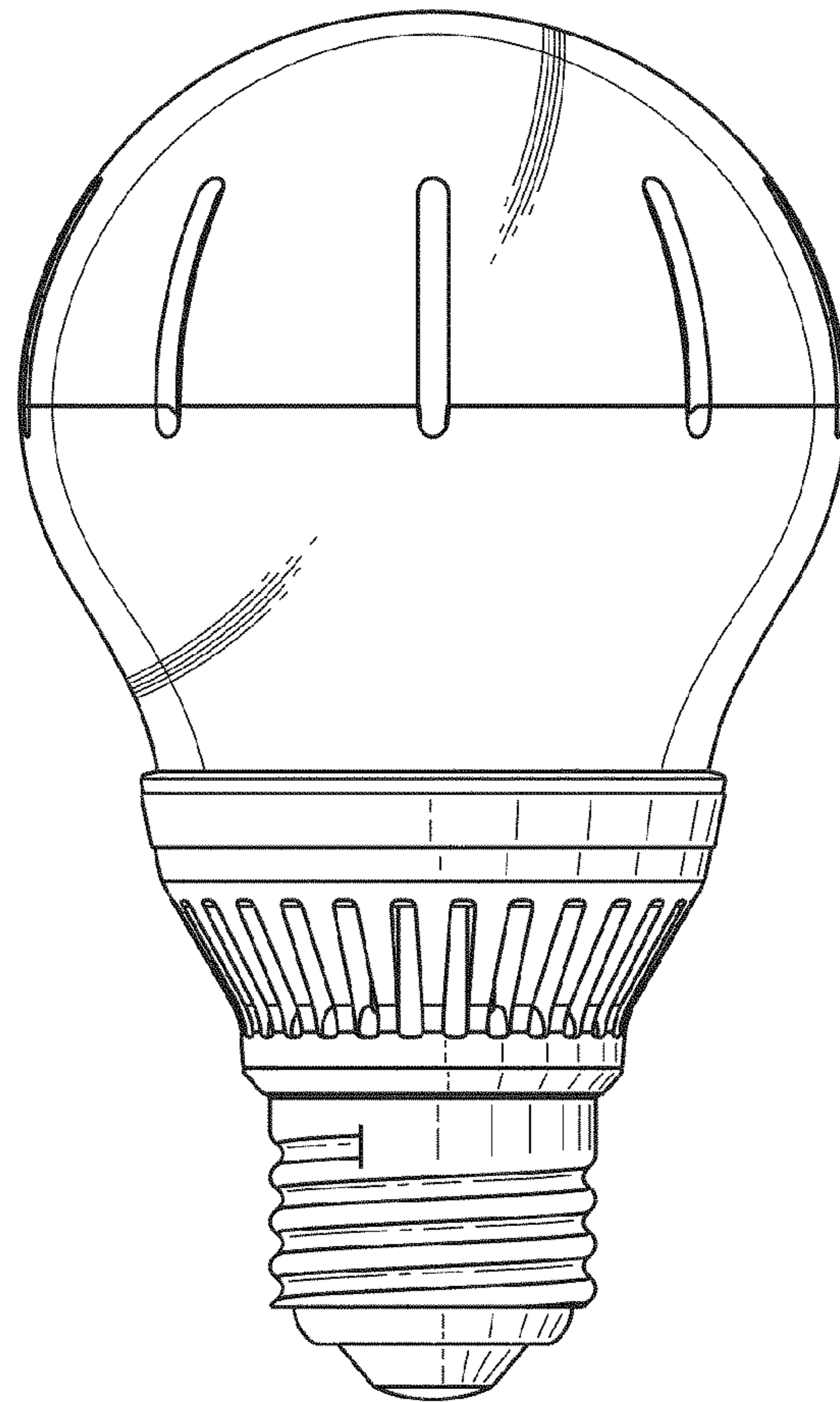


Fig. 4

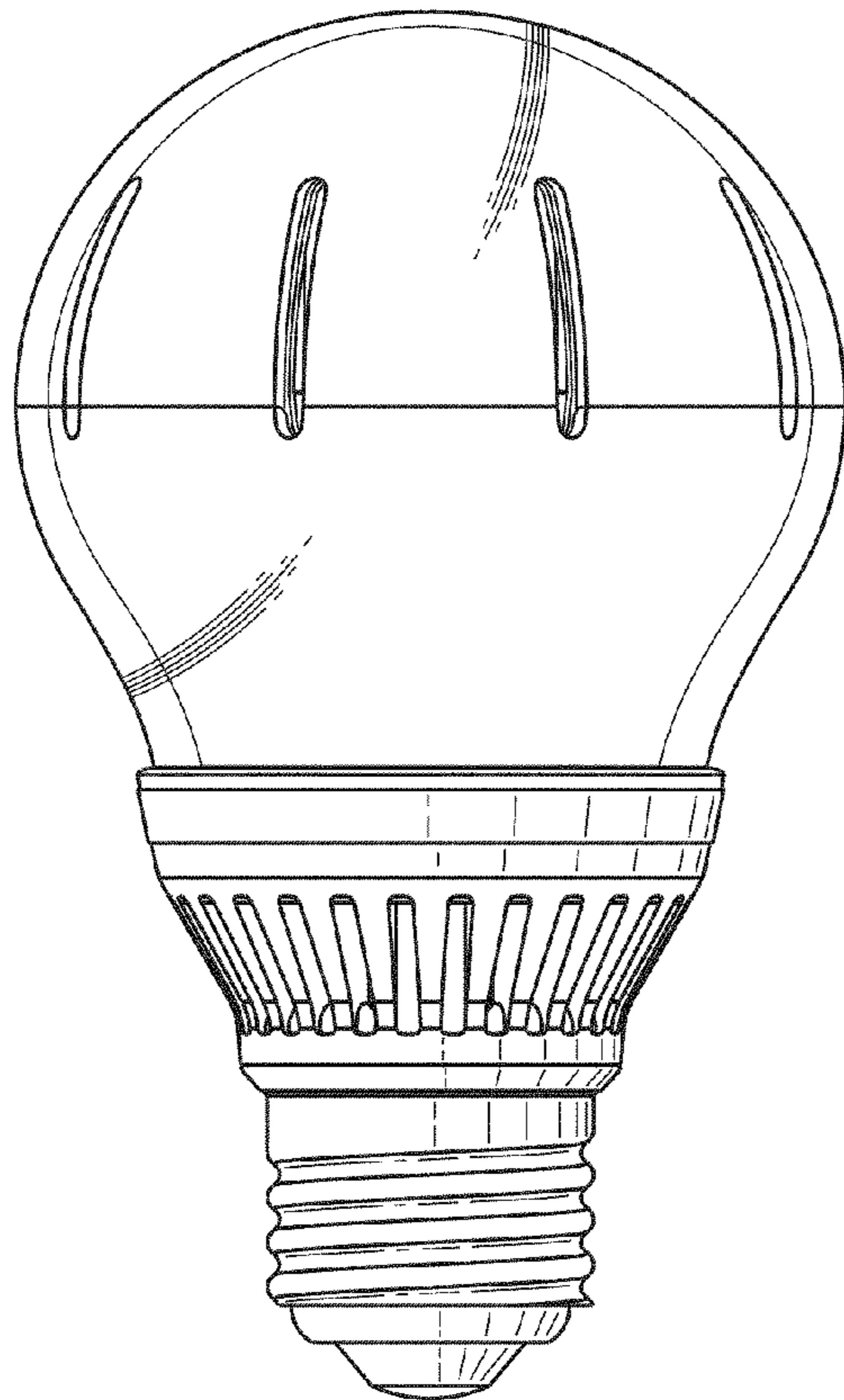


Fig. 5

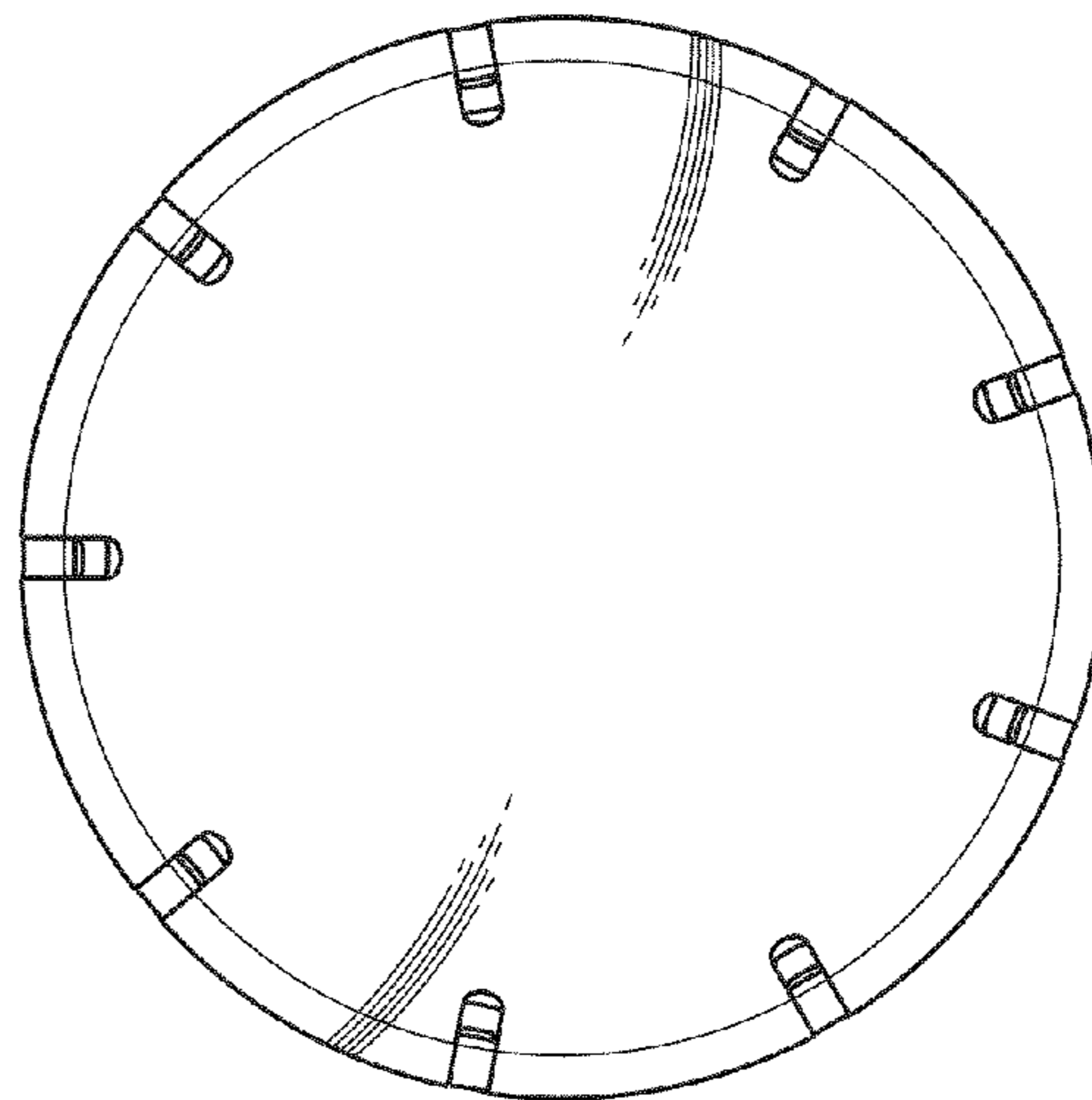


Fig. 6

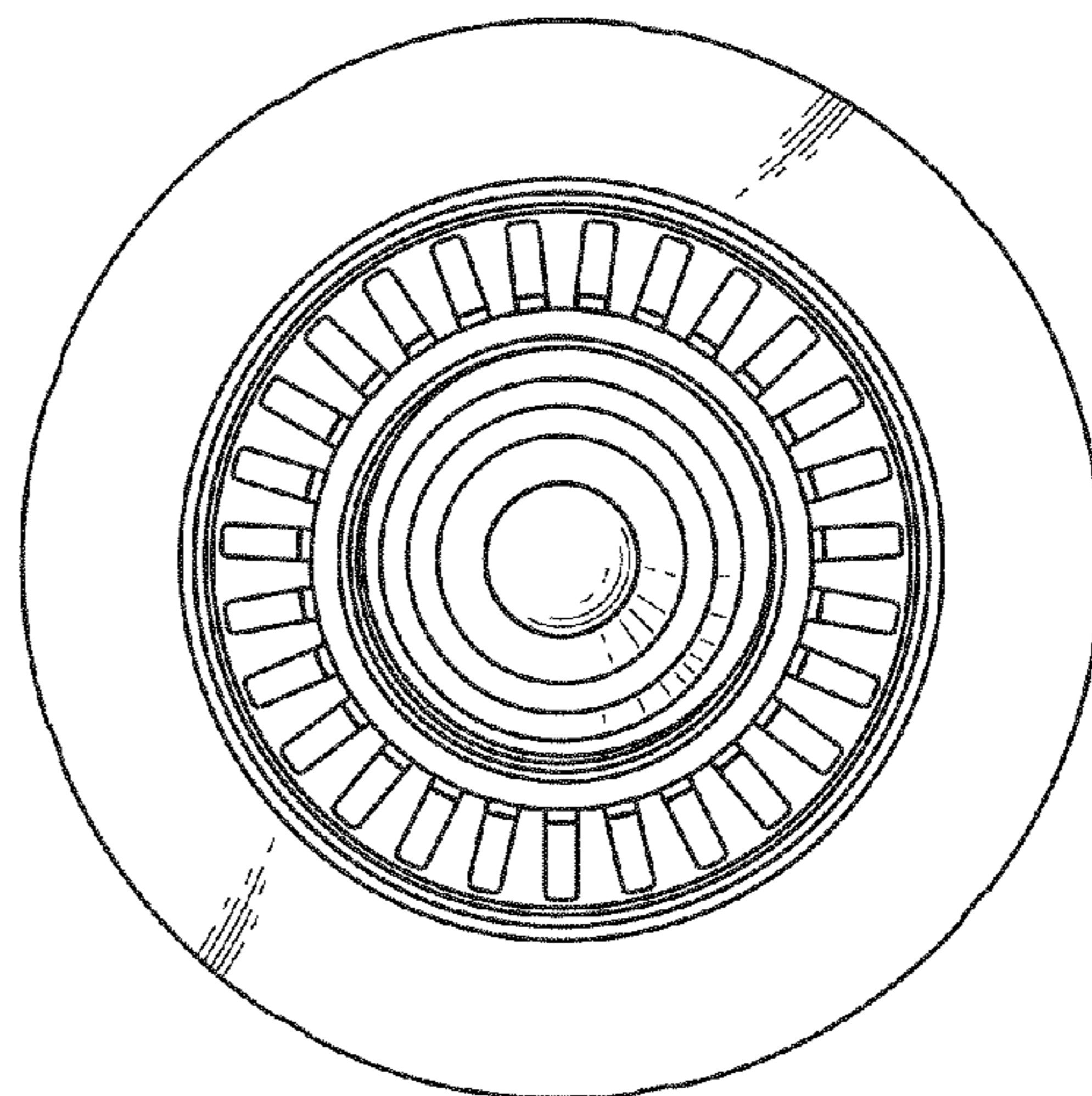


Fig. 7

UNITED STATES PATENT AND TRADEMARK OFFICE
CERTIFICATE OF CORRECTION

PATENT NO. : D657,076 S
APPLICATION NO. : 29/388703
DATED : April 3, 2012
INVENTOR(S) : Raymond Patrick Johnston et al.

Page 1 of 1

It is certified that error appears in the above-identified patent and that said Letters Patent is hereby corrected as shown below:

Title page,

Item (75), under Inventors:, delete "Oakland, MN" and insert -- Oakdale, MN --, for inventor Andrew R. Fox, therefor.

Signed and Sealed this
Twelfth Day of November, 2013



Teresa Stanek Rea
Deputy Director of the United States Patent and Trademark Office