



US00D657075S

(12) **United States Design Patent**
Guohui

(10) **Patent No.:** **US D657,075 S**
(45) **Date of Patent:** **** Apr. 3, 2012**

(54) **LED LAMP**

(75) Inventor: **Dong Guohui**, Zhejiang (CN)

(73) Assignee: **Osram AG**, Munich (DE)

(**) Term: **14 Years**

(21) Appl. No.: **29/376,506**

(22) Filed: **Oct. 8, 2010**

(30) **Foreign Application Priority Data**

Apr. 9, 2010 (DE) 40 2010 002 132

(51) **LOC (9) Cl.** **26-04**

(52) **U.S. Cl.** **D26/2**

(58) **Field of Classification Search** D26/1-4;
313/313, 315, 316, 317, 318, 493; 315/52,
315/53, 56, 57, 58

See application file for complete search history.

(56) **References Cited**

U.S. PATENT DOCUMENTS

D535,038 S * 1/2007 Egawa et al. D26/2
D582,578 S * 12/2008 Tsai et al. D26/2

D584,838 S * 1/2009 To et al. D26/2
D594,995 S 6/2009 Komar
D601,722 S * 10/2009 Foo D26/2
D631,989 S * 2/2011 Bobel D26/2

FOREIGN PATENT DOCUMENTS

CN 301050138 D 10/2009
CN 301177469 S 4/2010
EM 000919097-0001 4/2008

* cited by examiner

Primary Examiner — Marcus Jackson

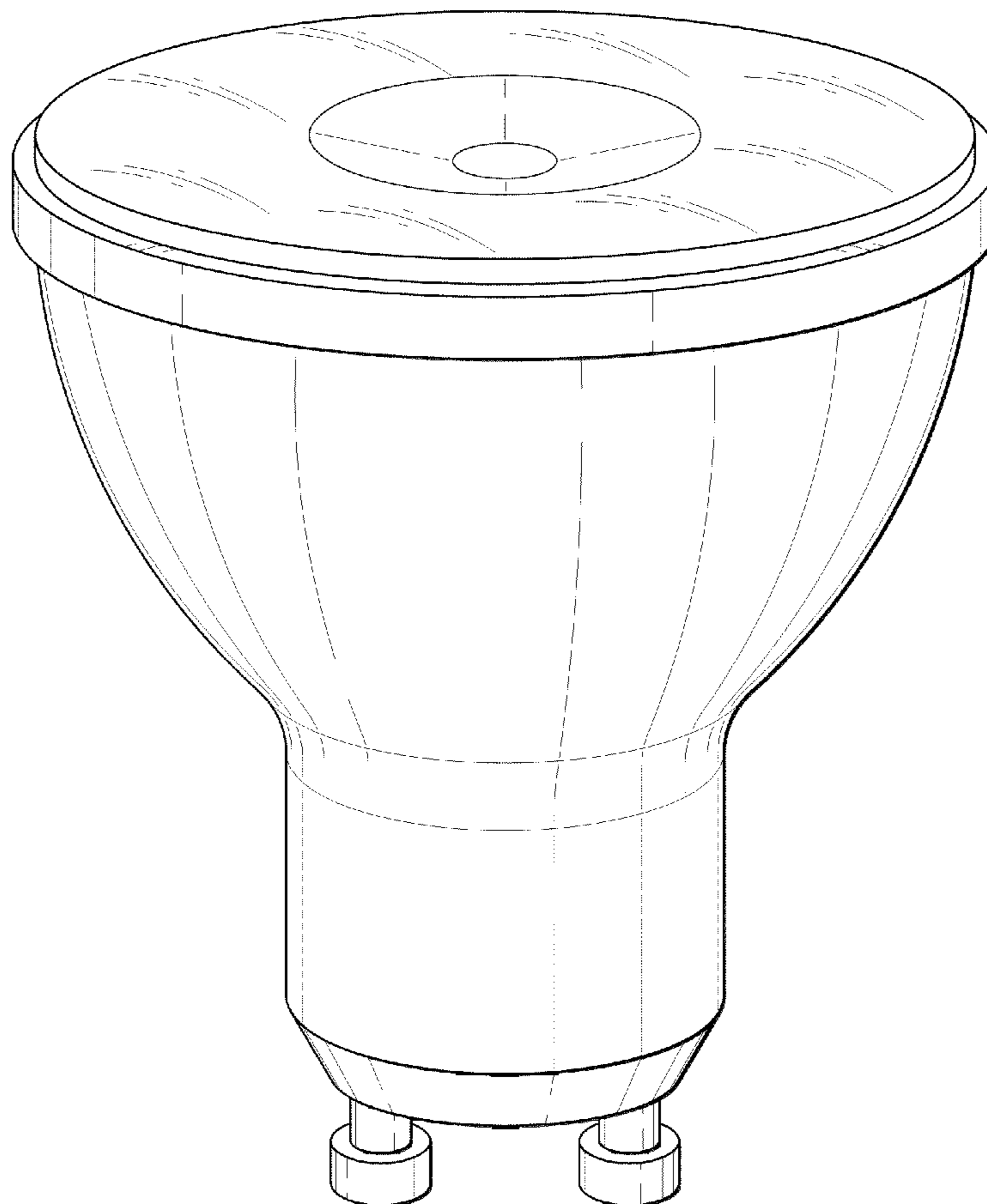
(57) **CLAIM**

The ornamental design for an LED lamp, as shown and described.

DESCRIPTION

FIG. 1 is a perspective view of an LED lamp
FIG. 2 is a front view of the LED lamp
FIG. 3 is a right side view of the LED lamp
FIG. 4 is a top view of the LED lamp; and,
FIG. 5 is a bottom view of the LED lamp.

1 Claim, 5 Drawing Sheets



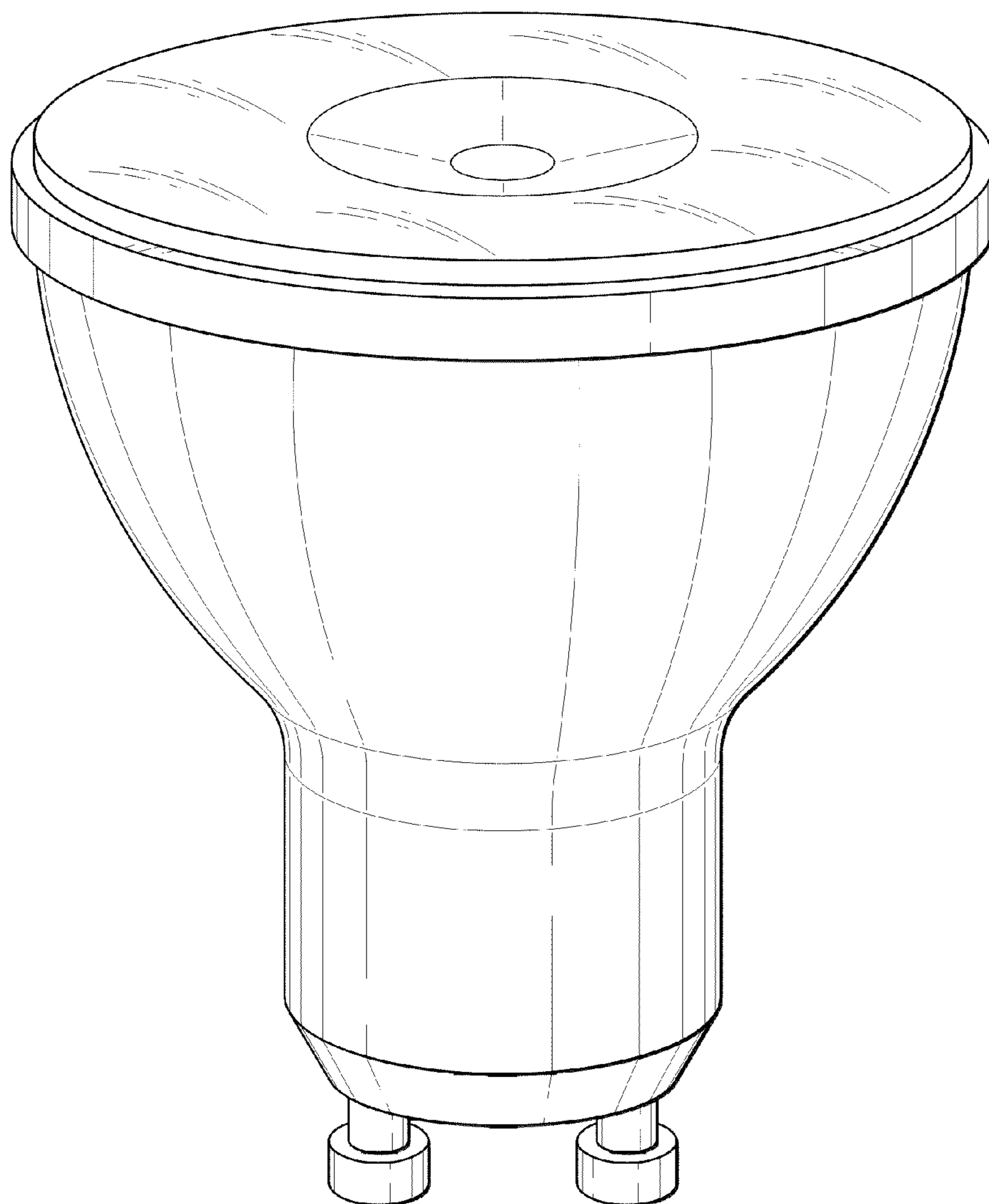


FIG. 1

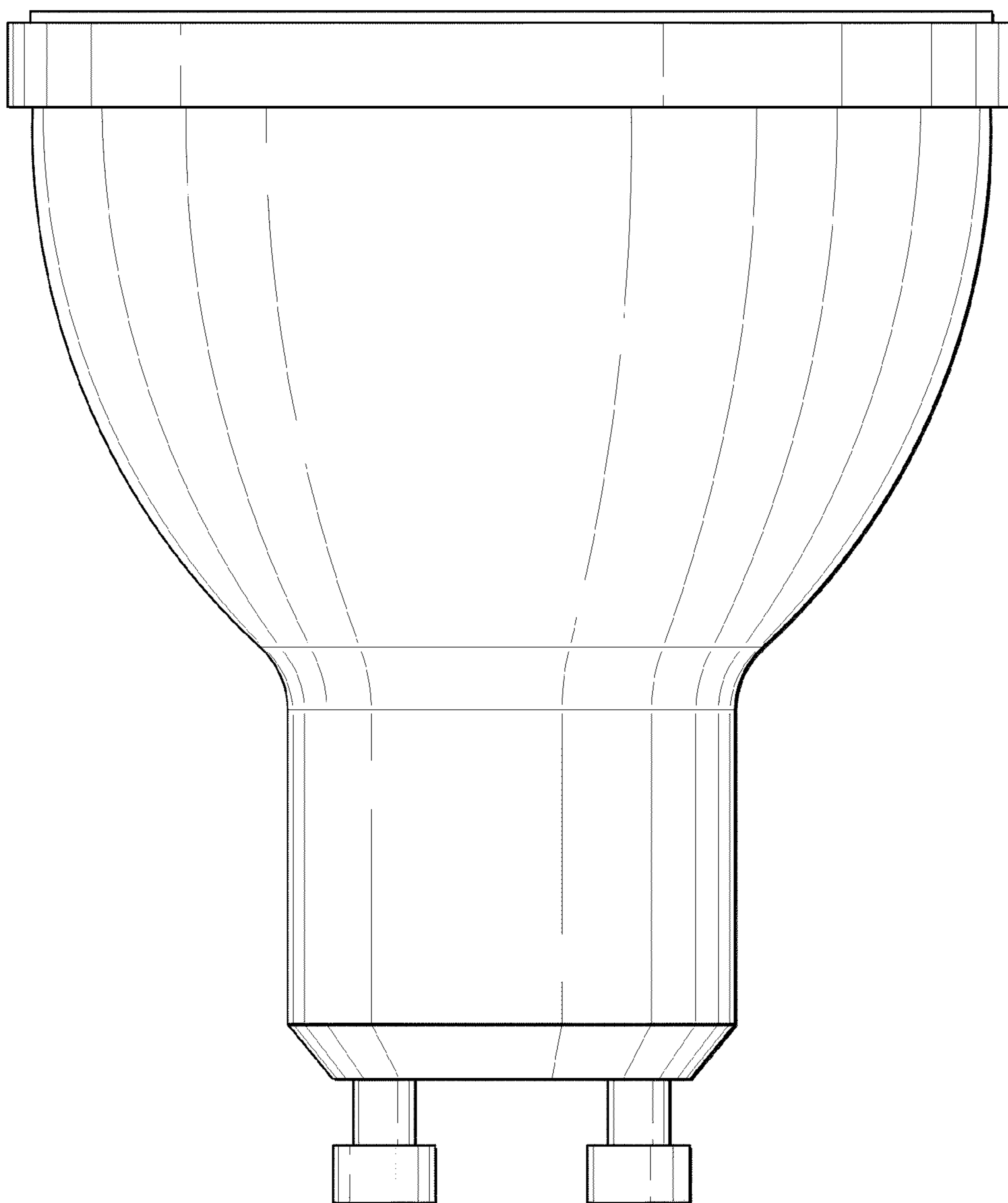


FIG. 2

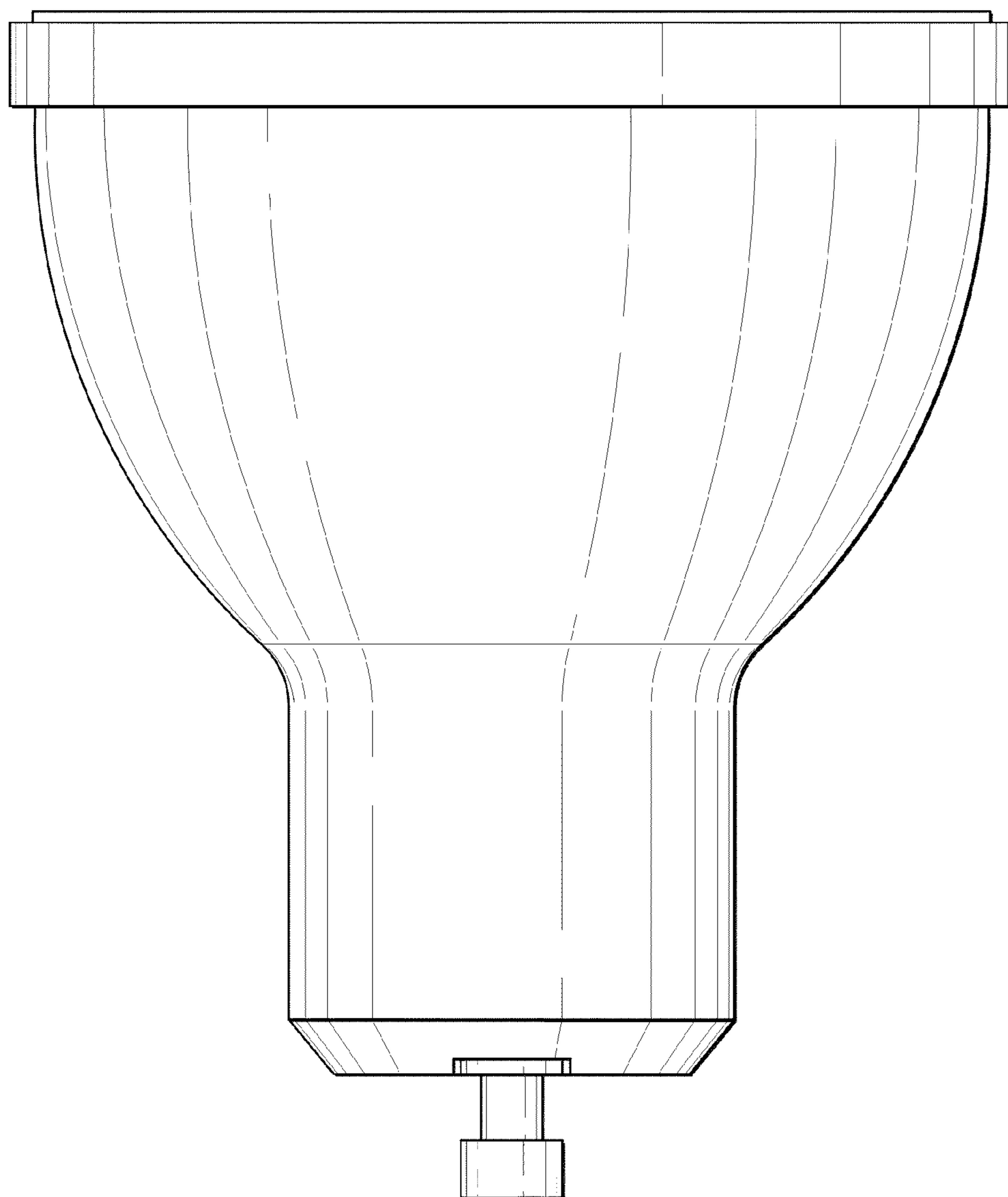


FIG. 3

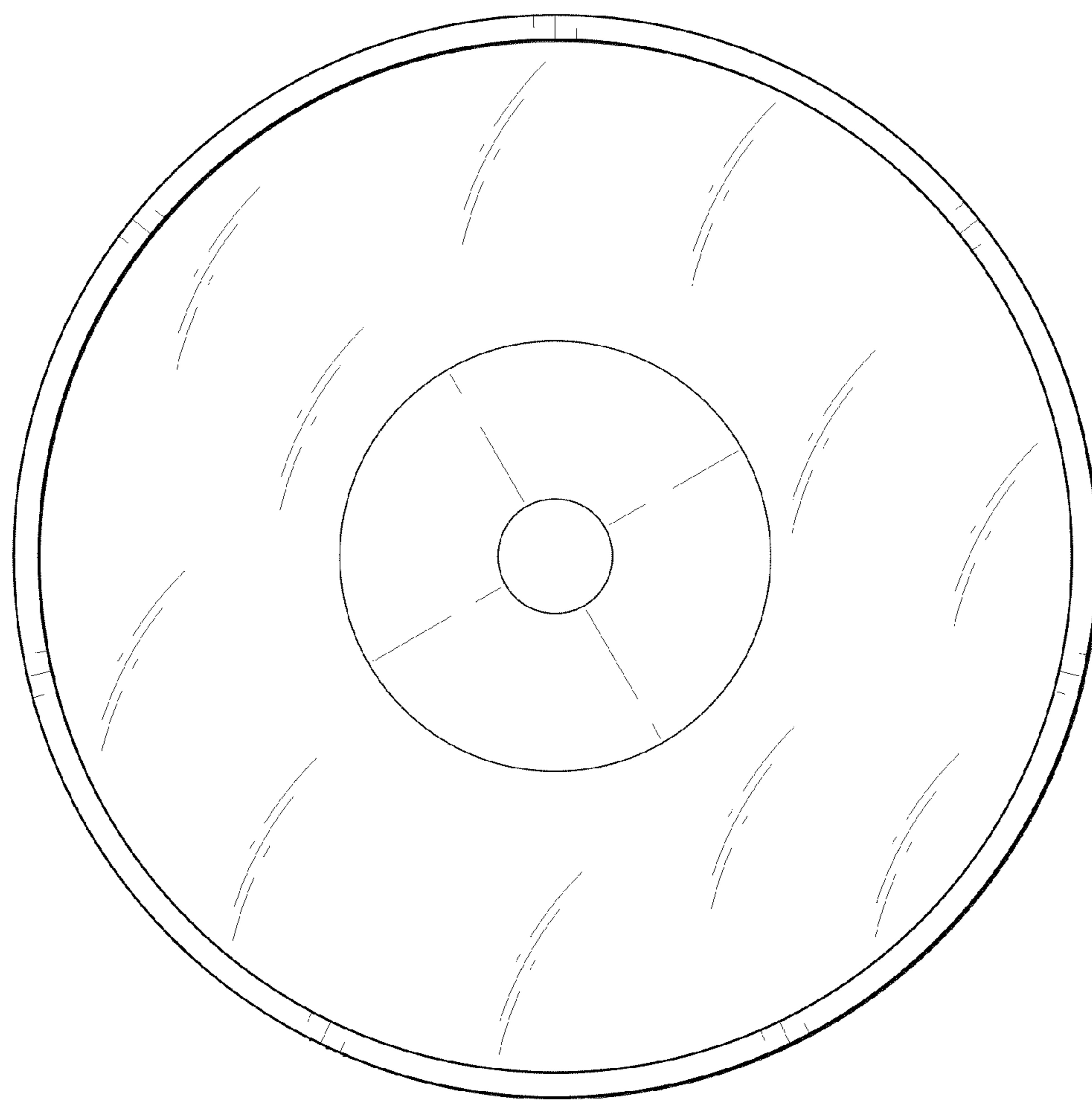


FIG. 4

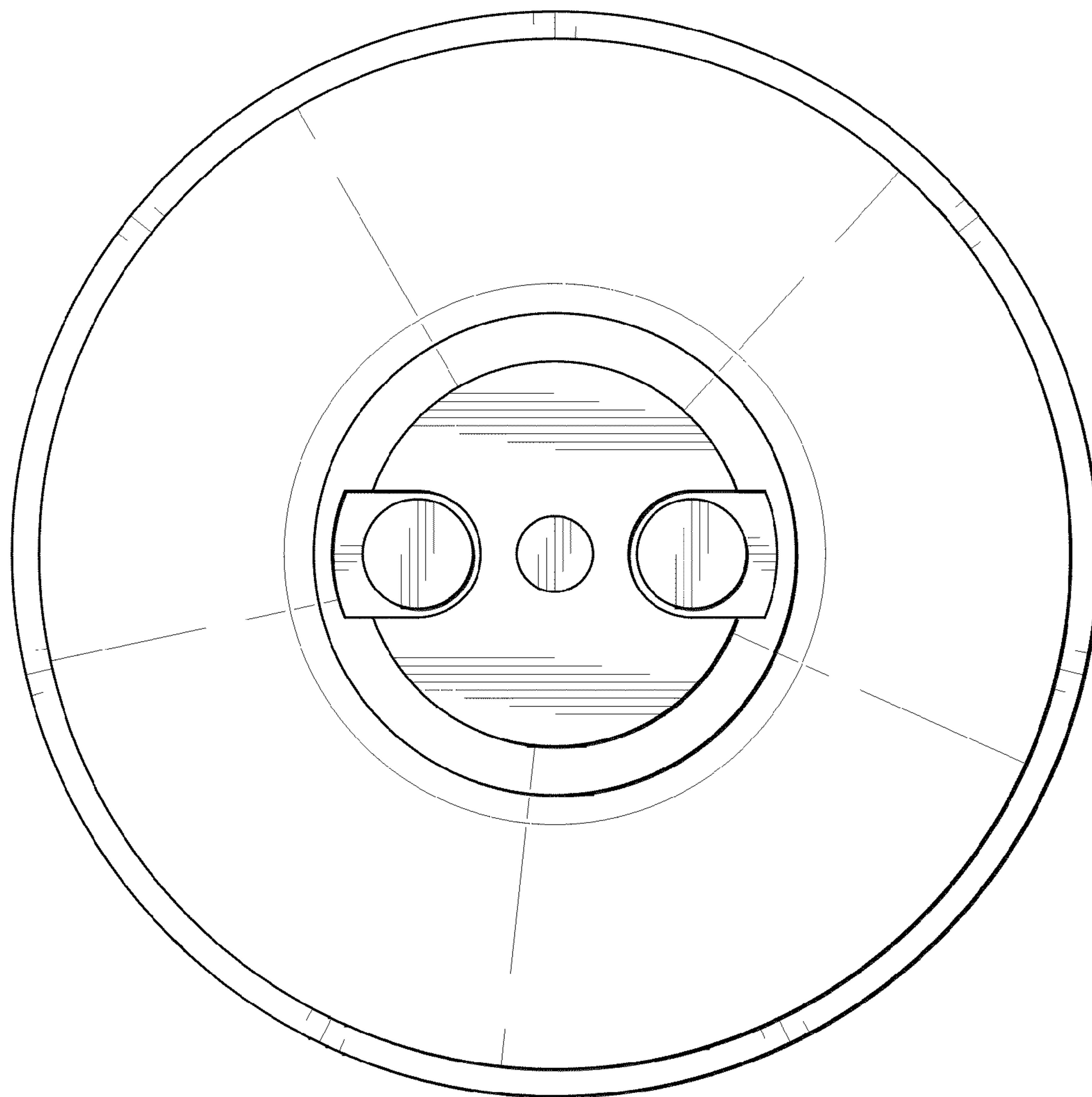


FIG. 5