



US00D657071S

(12) **United States Design Patent**
Hare et al.

(10) **Patent No.:** **US D657,071 S**
(45) **Date of Patent:** **** Apr. 3, 2012**

(54) **METAL SECTION**

(75) Inventors: **Henry John Hare**, Christchurch (NZ);
Mark Whiteside, Christchurch (NZ)

(73) Assignee: **Industrial Galvanizers Corporation**
Pty Ltd, Minto, NSW (AU)

(**) Term: **14 Years**

(21) Appl. No.: **29/361,571**

(22) Filed: **May 12, 2010**

(30) **Foreign Application Priority Data**

Nov. 13, 2009 (AU) 14463/2009

(51) **LOC (9) Cl.** **25-01**

(52) **U.S. Cl.** **D25/121**

(58) **Field of Classification Search** 52/846,
52/579, 93.1, 169.9, 170, 210, 296, 481.1;
D25/121; D8/371, 367, 373

See application file for complete search history.

(56) **References Cited**

U.S. PATENT DOCUMENTS

3,904,380 A * 9/1975 Smith 428/582
4,185,422 A * 1/1980 Radek 52/36.6

5,079,884 A * 1/1992 Menchetti 52/241
7,162,847 B2 * 1/2007 Gigiakos 52/846
D574,969 S * 8/2008 Taylor et al. D25/121
7,497,640 B2 * 3/2009 Sharp et al. 404/6

* cited by examiner

Primary Examiner — Doris Clark

(74) *Attorney, Agent, or Firm* — Cahn & Samuels, LLP

(57) **CLAIM**

The ornamental design for a metal section, as shown and described.

DESCRIPTION

FIG. 1 illustrates a plan view of a metal section according to the invention.

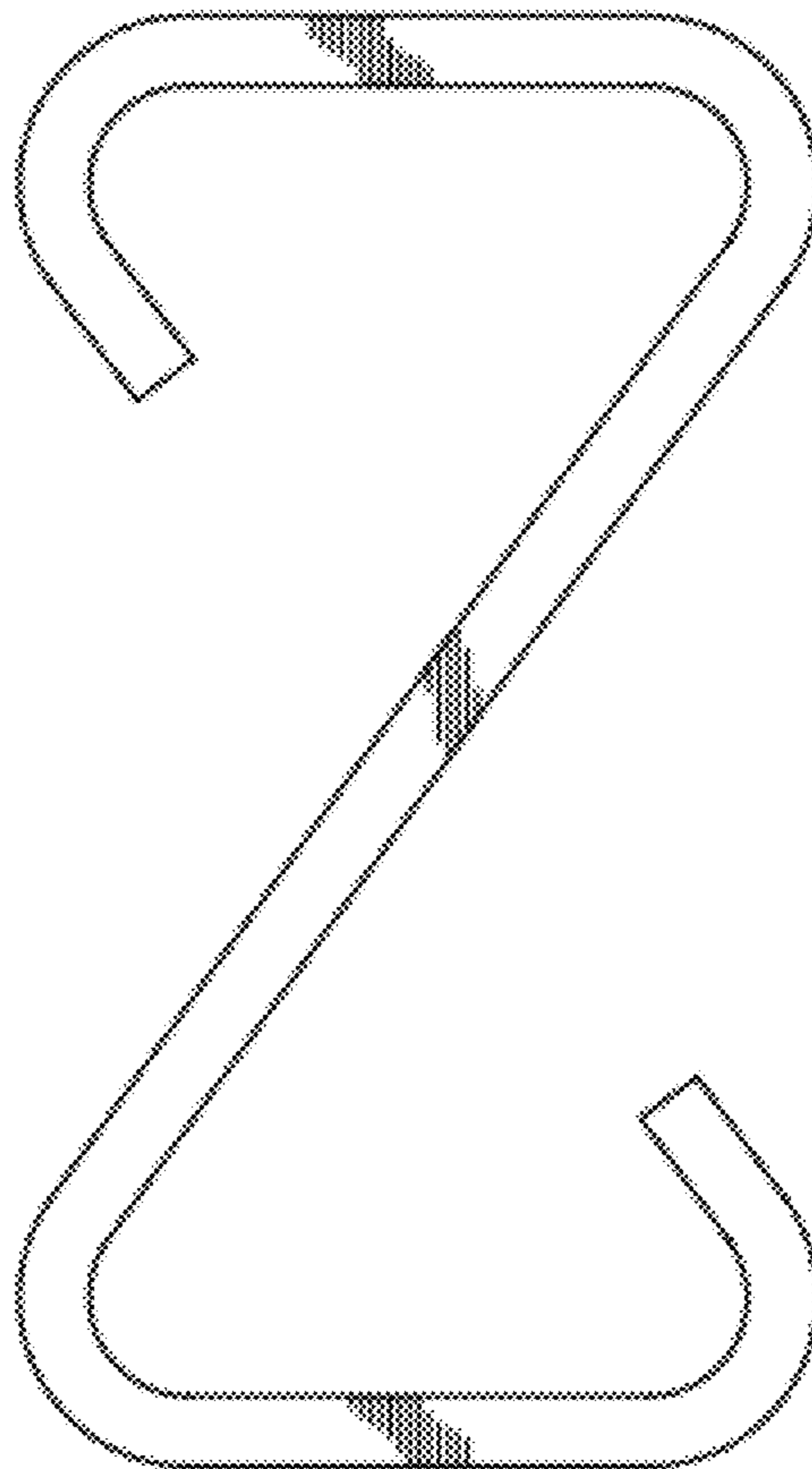
FIG. 2 illustrates a perspective view of the metal section illustrated in FIG. 1

FIG. 3 illustrates a front view of the metal section illustrated in FIG. 1 where the width can be any length. A rear view of the metal section illustrated in FIG. 1 would be identical to the front view; and,

FIG. 4 illustrates a right side view of the metal section illustrated in FIG. 1. A left side view of the metal section illustrated in FIG. 1 would be identical to the right side view.

The broken lines shown indicate that the claimed design is indefinite in length.

1 Claim, 2 Drawing Sheets



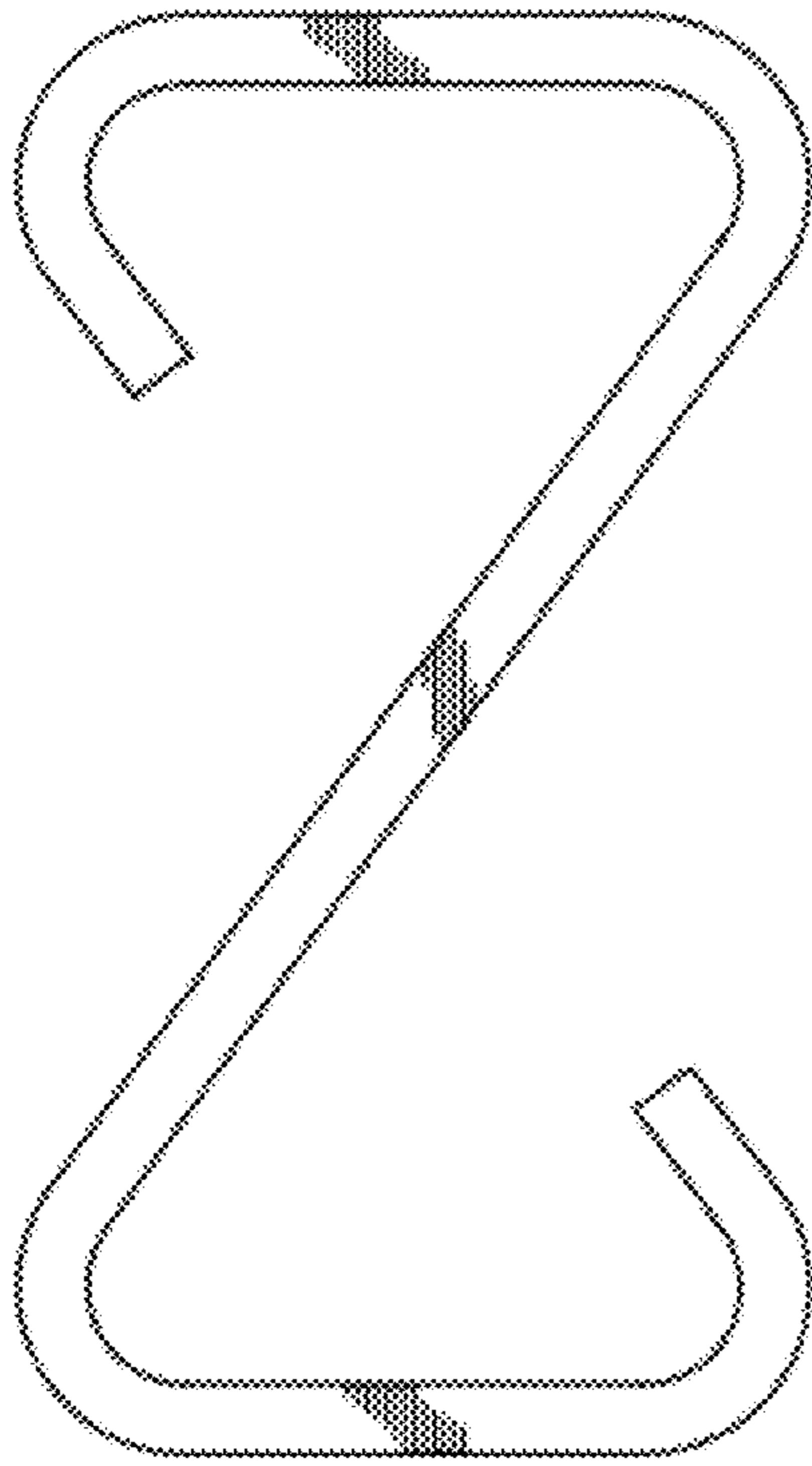


FIG. 1

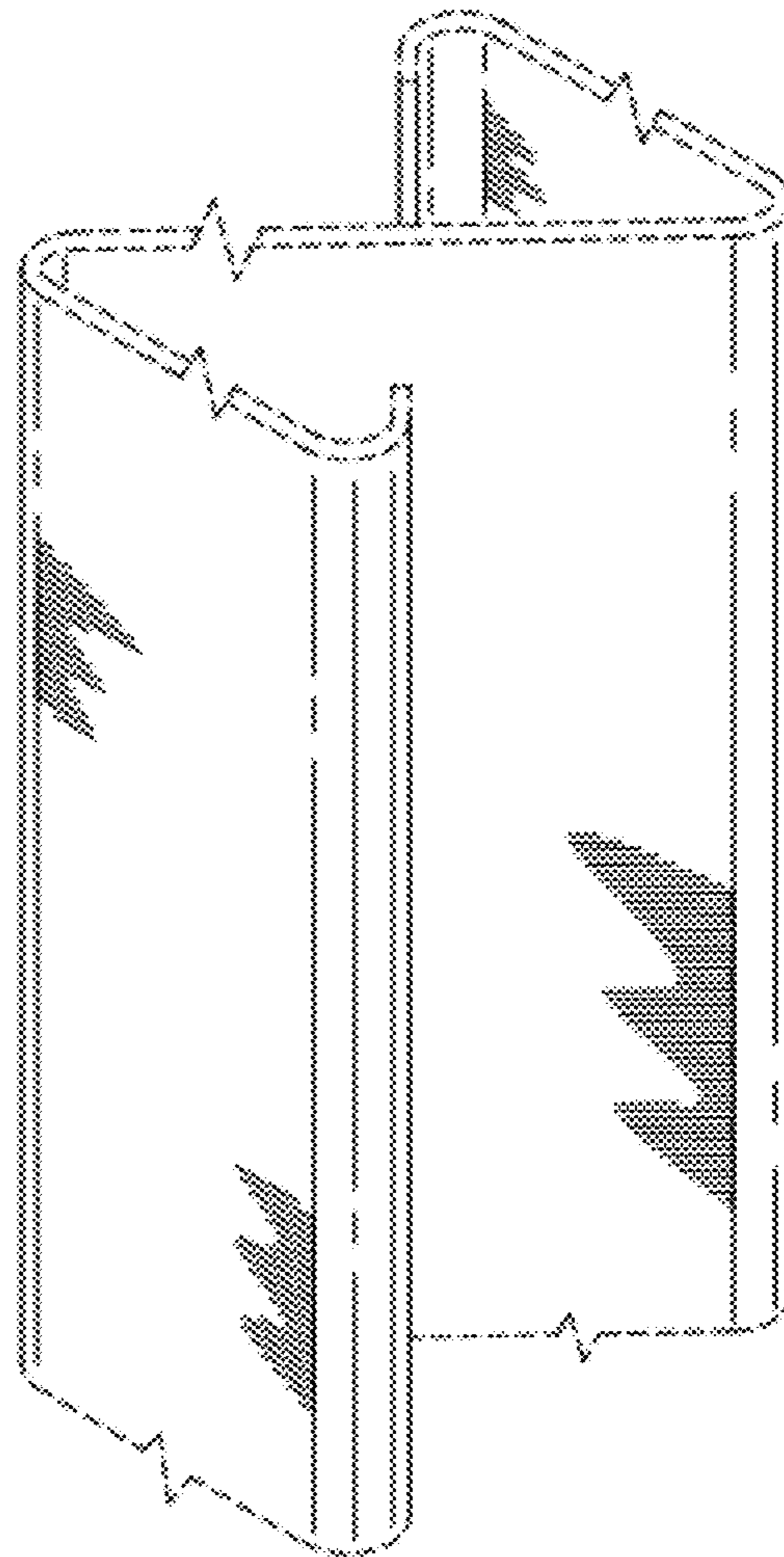


FIG. 2

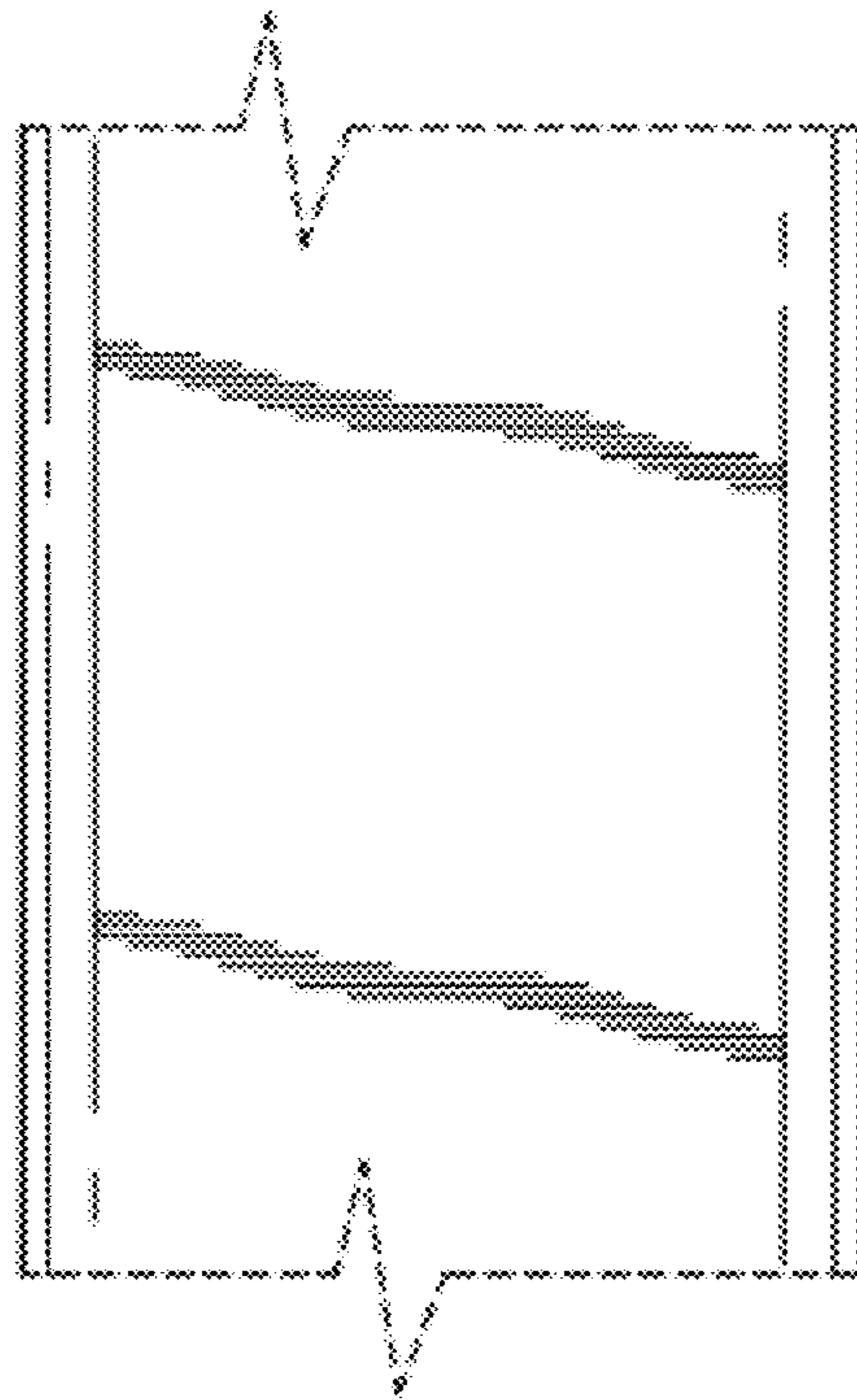


FIG. 3

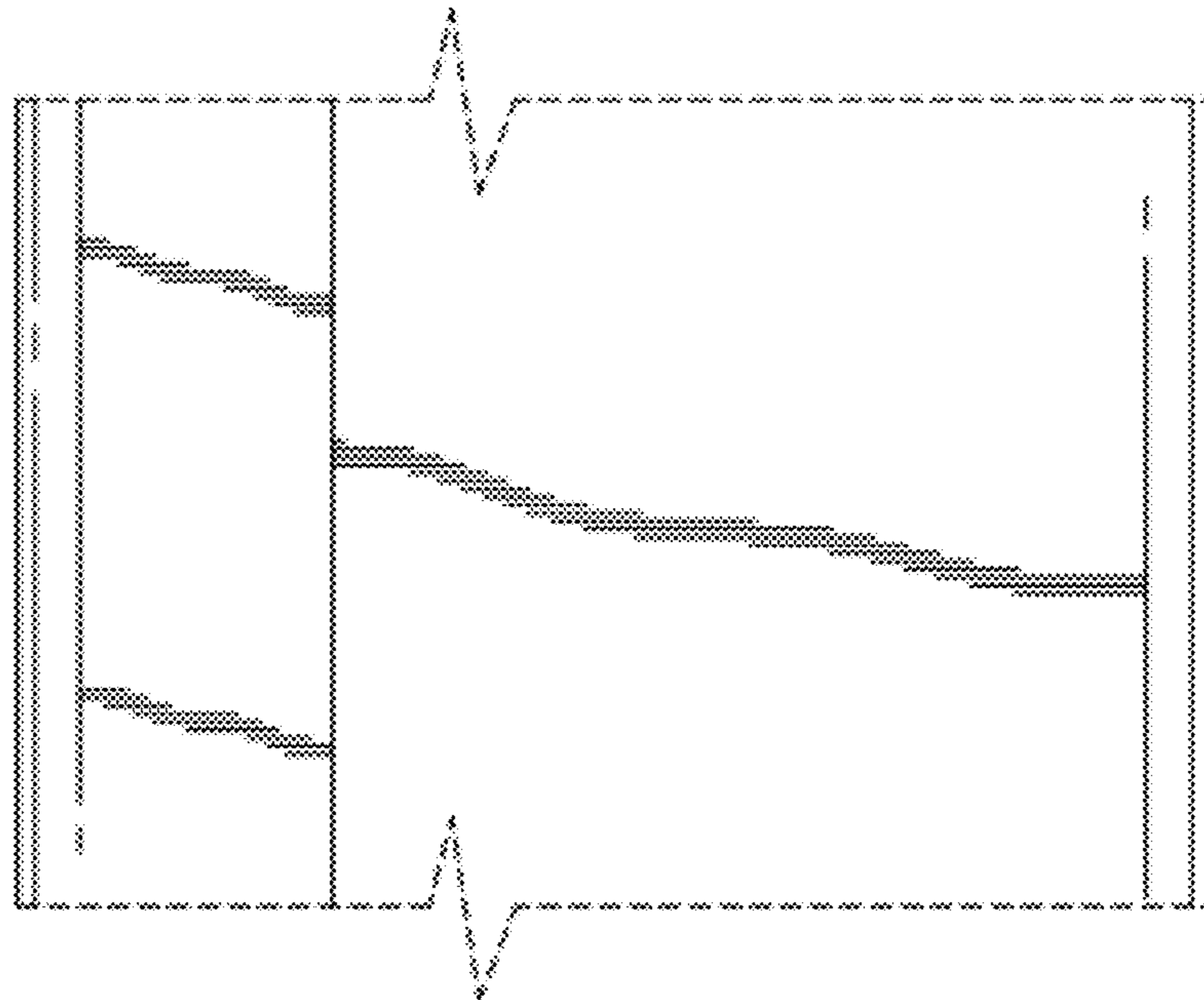


FIG. 4