



US00D657065S

(12) **United States Design Patent**  
**Matsushita**

(10) **Patent No.:** **US D657,065 S**  
(45) **Date of Patent:** **\*\* Apr. 3, 2012**

(54) **SKIN MASSAGE ROLLER**

(75) Inventor: **Tsuyoshi Matsushita**, Aichi-ken (JP)

(73) Assignee: **MTG Co., Ltd.** (JP)

(\*\*) Term: **14 Years**

(21) Appl. No.: **29/373,073**

(22) Filed: **Feb. 24, 2011**

(30) **Foreign Application Priority Data**

Sep. 30, 2010 (JP) ..... 2010-023499

(51) **LOC (9) Cl.** ..... **28-03**

(52) **U.S. Cl.** ..... **D24/215**

(58) **Field of Classification Search** ..... D28/7,  
D28/8, 20, 76, 85, 99; 132/108, 202, 208,  
132/317, 320, 19, 22, 27, 28, 29, 30, 31,  
132/39, 46, 56, 63, 68, 72, 80, 125, 135,  
132/157, 169, DIG. 12, DIG. 14, DIG. 16,  
132/DIG. 17; 401/202-207, 261-267; D4/132-135;  
D24/211-215, 200, 204, 206, 201; D6/335,  
D6/336; D21/685

See application file for complete search history.

(56) **References Cited**

**U.S. PATENT DOCUMENTS**

D272,090	S	*	1/1984	Hosid	.....	D24/211
D284,406	S	*	6/1986	Matranca et al.	.....	D24/211
D285,117	S	*	8/1986	Snyder	.....	D24/211
D319,106	S	*	8/1991	Bucher	.....	D24/201
D366,604	S	*	1/1996	Welch, Jr.	.....	D8/77
D371,607	S	*	7/1996	Taylor	.....	D24/211
D408,544	S	*	4/1999	Kalat	.....	D24/211
D408,545	S	*	4/1999	Taylor	.....	D24/214
D410,549	S	*	6/1999	Chen	.....	D24/211
D445,196	S	*	7/2001	Gladieux et al.	.....	D24/211
D445,508	S	*	7/2001	Gladieux et al.	.....	D24/211
D451,651	S	*	12/2001	Kaplan	.....	D30/160

D469,879	S	*	2/2003	Chen	.....	D24/211
D495,422	S	*	8/2004	Chen	.....	D24/211
D499,841	S	*	12/2004	Angeletta	.....	D28/7

**FOREIGN PATENT DOCUMENTS**

JP D1387971 S 4/2010

**OTHER PUBLICATIONS**

“Platinum Electronic Roller [ReFa Pro]”, [online]. [retrieved Jun. 22, 2011]. Retrieved from the Internet: <URL: [http://www.mtg.gr.jp/en/product/refa\\_pro/index.html](http://www.mtg.gr.jp/en/product/refa_pro/index.html)>, © 2011. MTG Co., Ltd, 3 pgs.

\* cited by examiner

*Primary Examiner* — Zenia Bennett

(74) *Attorney, Agent, or Firm* — Schwegman, Lundberg & Woessner, P.A.

(57) **CLAIM**

The ornamental design for a skin massage roller, as shown and described.

**DESCRIPTION**

FIG. 1 is a perspective view of a skin massage roller showing my new design;

FIG. 2 is another perspective view thereof;

FIG. 3 is a front view thereof, the rear view being a mirror image of FIG. 3;

FIG. 4 is a top view thereof;

FIG. 5 is a bottom view thereof;

FIG. 6 is a right side view thereof;

FIG. 7 is a left side view thereof;

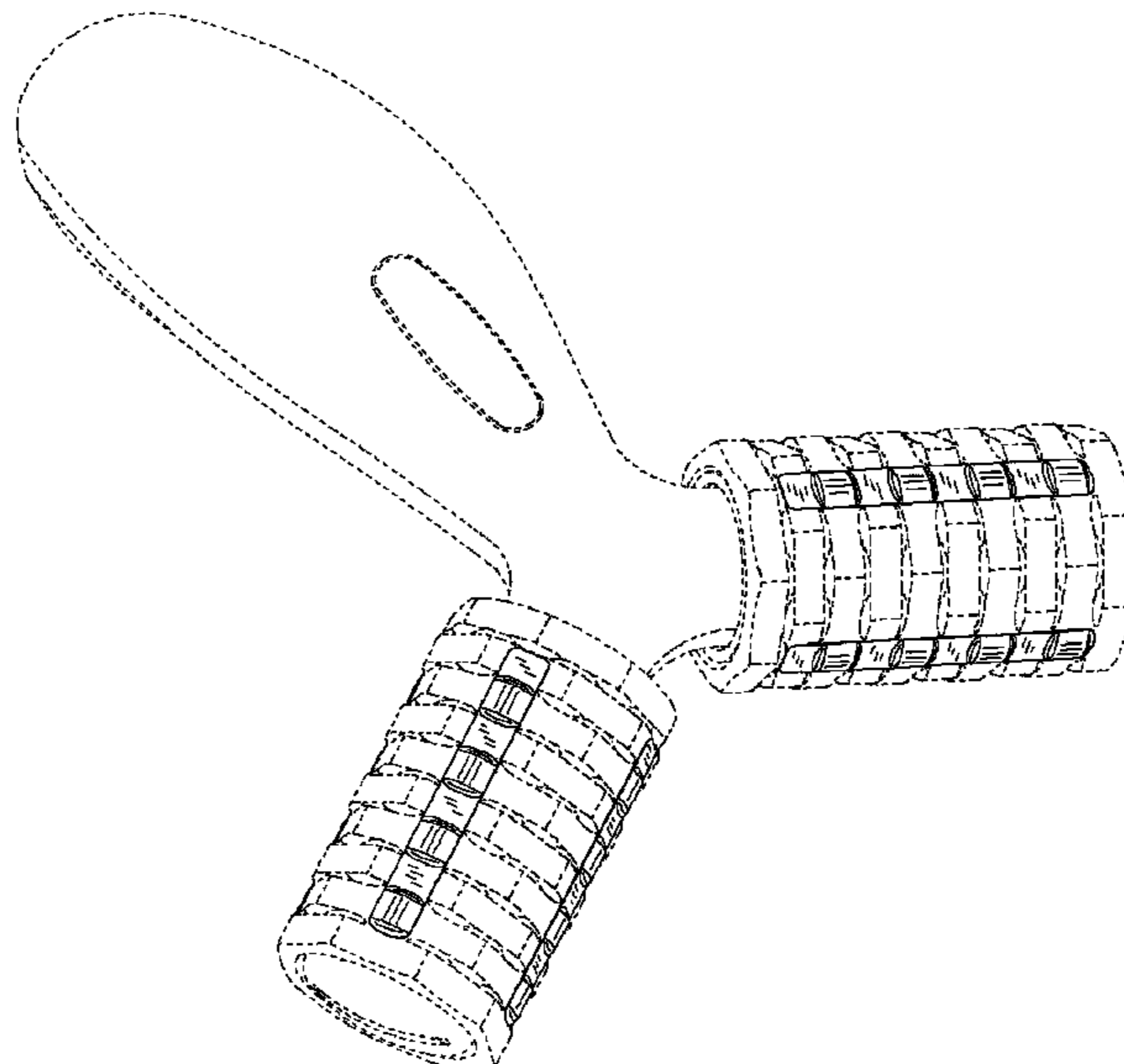
FIG. 8 is an enlarged view of a roller showing a state in which the roller is arranged horizontally;

FIG. 9 is a cross-sectional view taken along line 9-9 in FIG. 8; and,

FIG. 10 is a horizontal sectional view taken along line 10-10 in FIG. 8.

The broken lines are shown for illustrative purposes only and form no part of the claimed design.

**1 Claim, 8 Drawing Sheets**



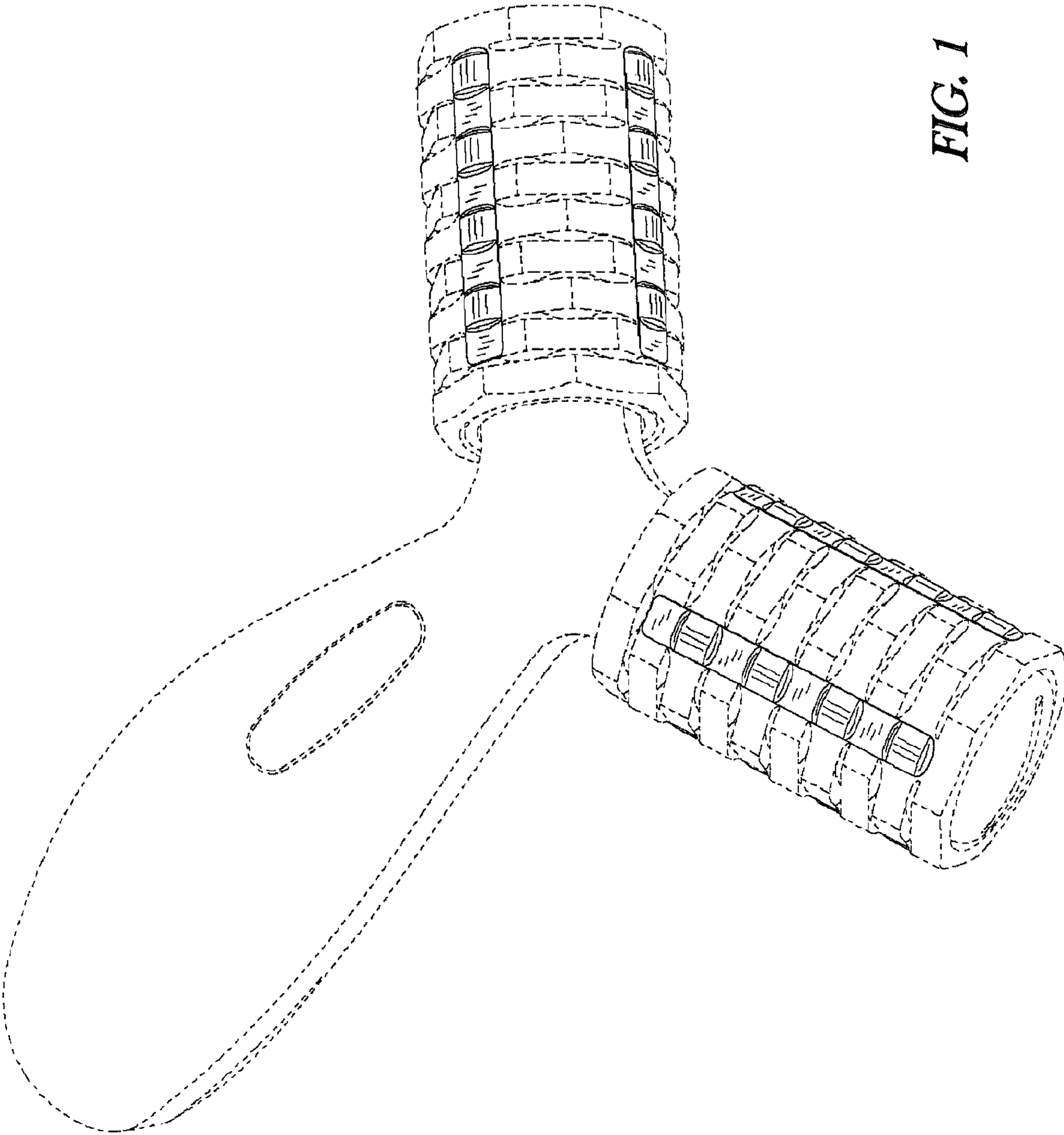


FIG. 1

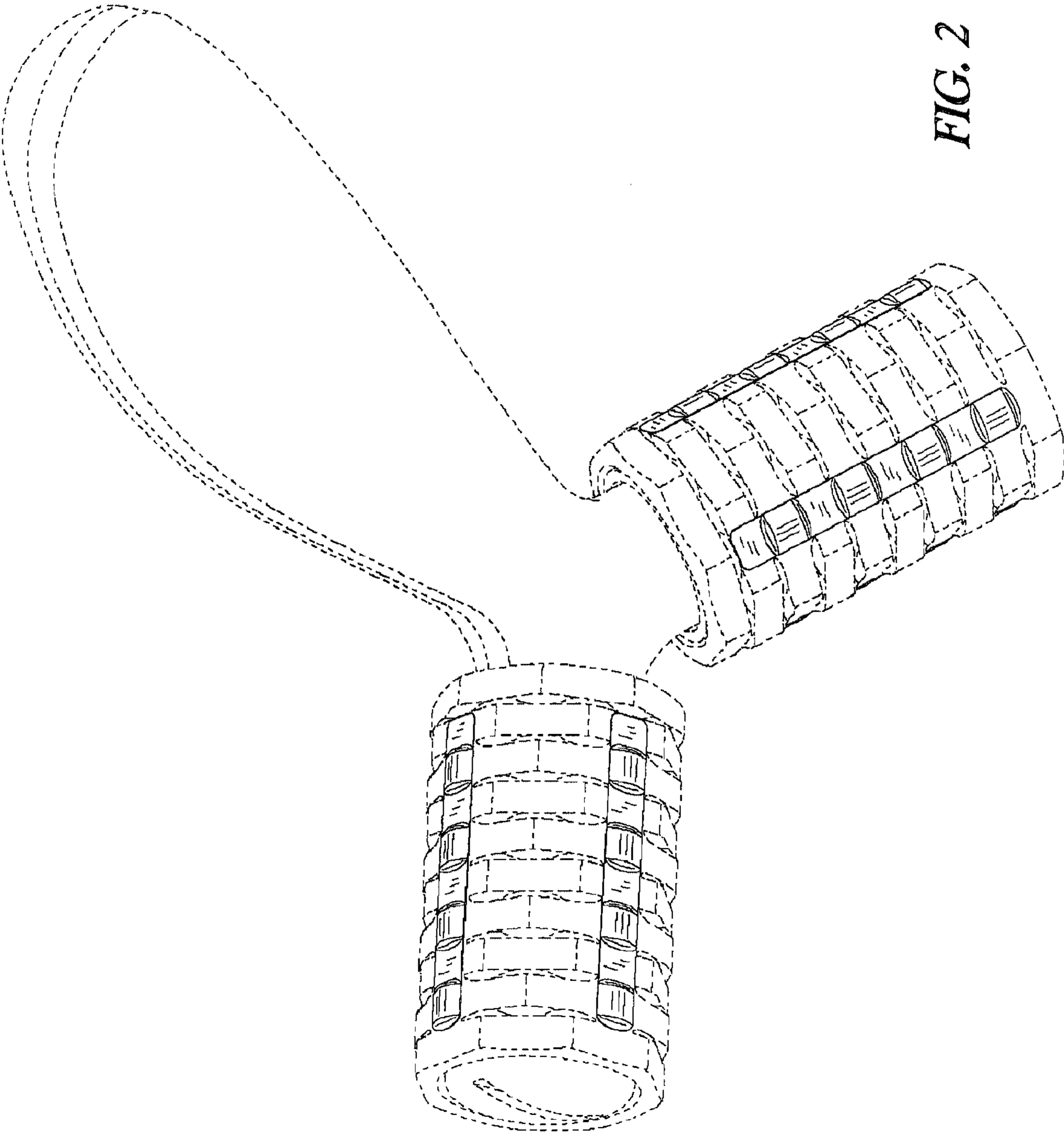
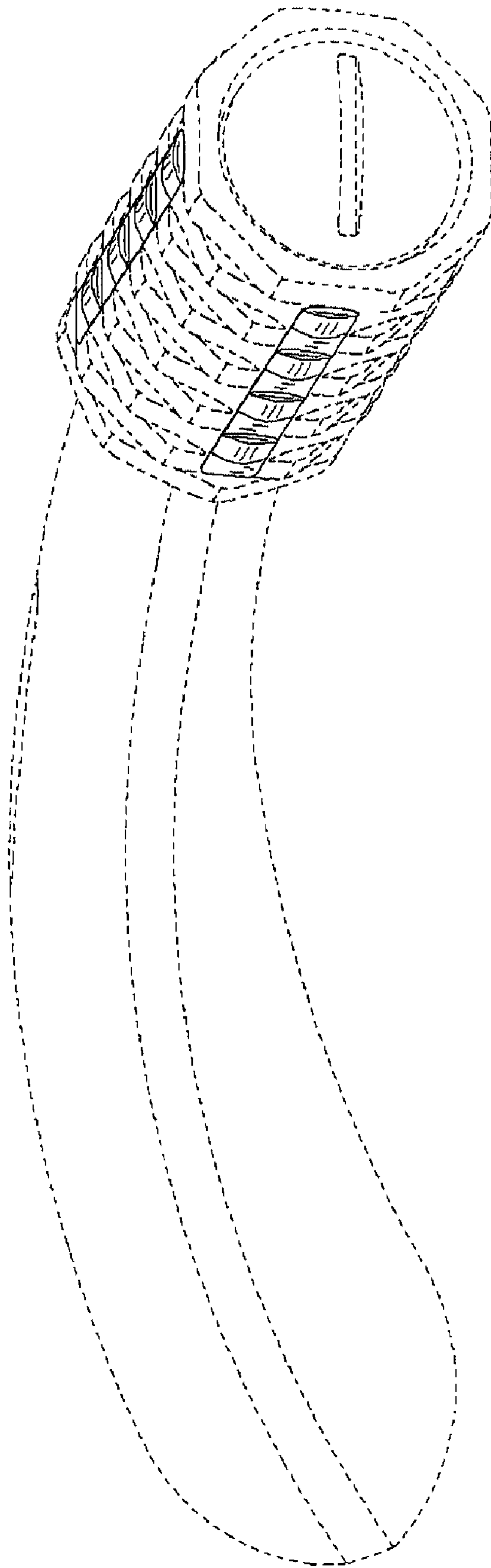


FIG. 2



**FIG. 3**

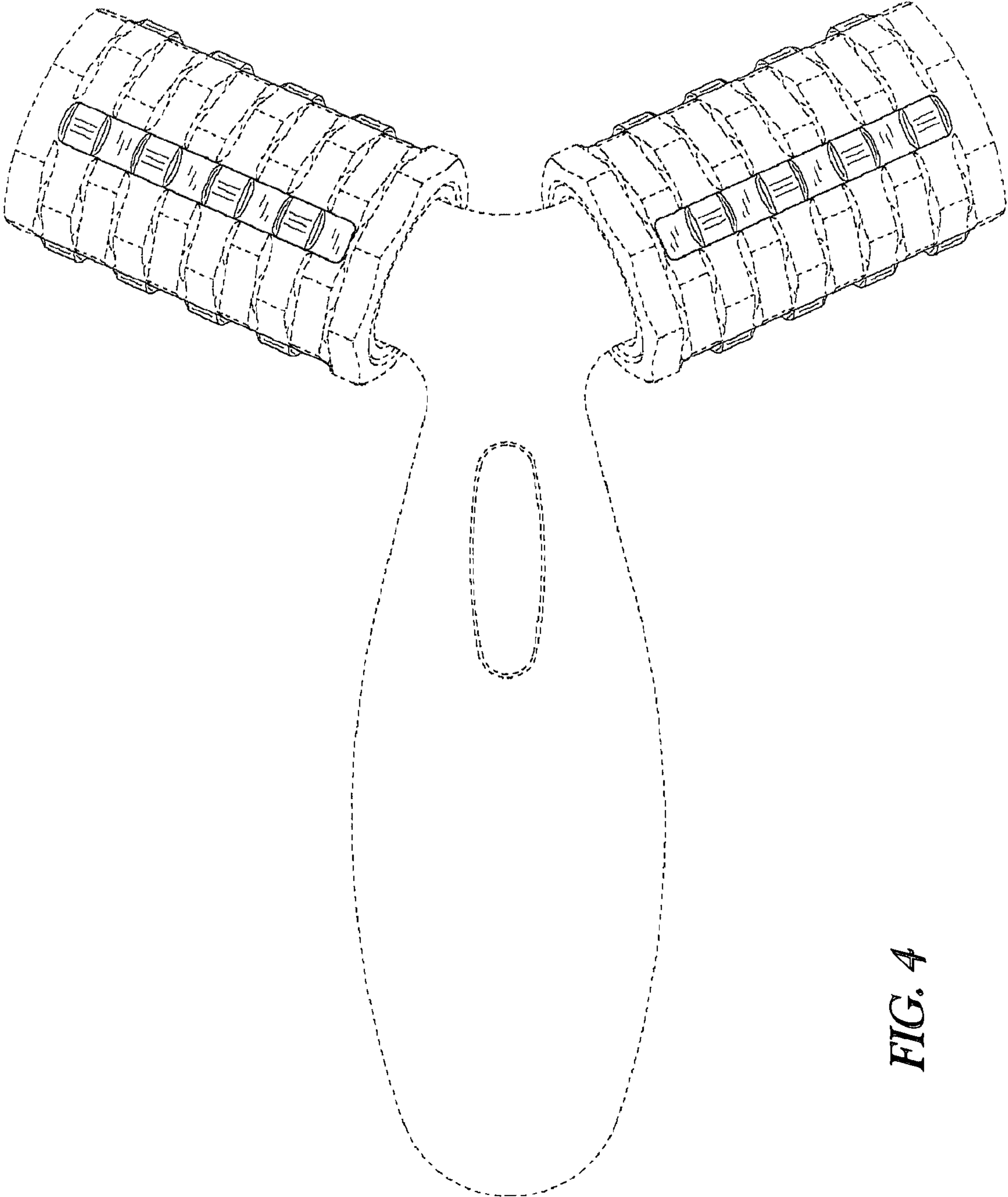


FIG. 4

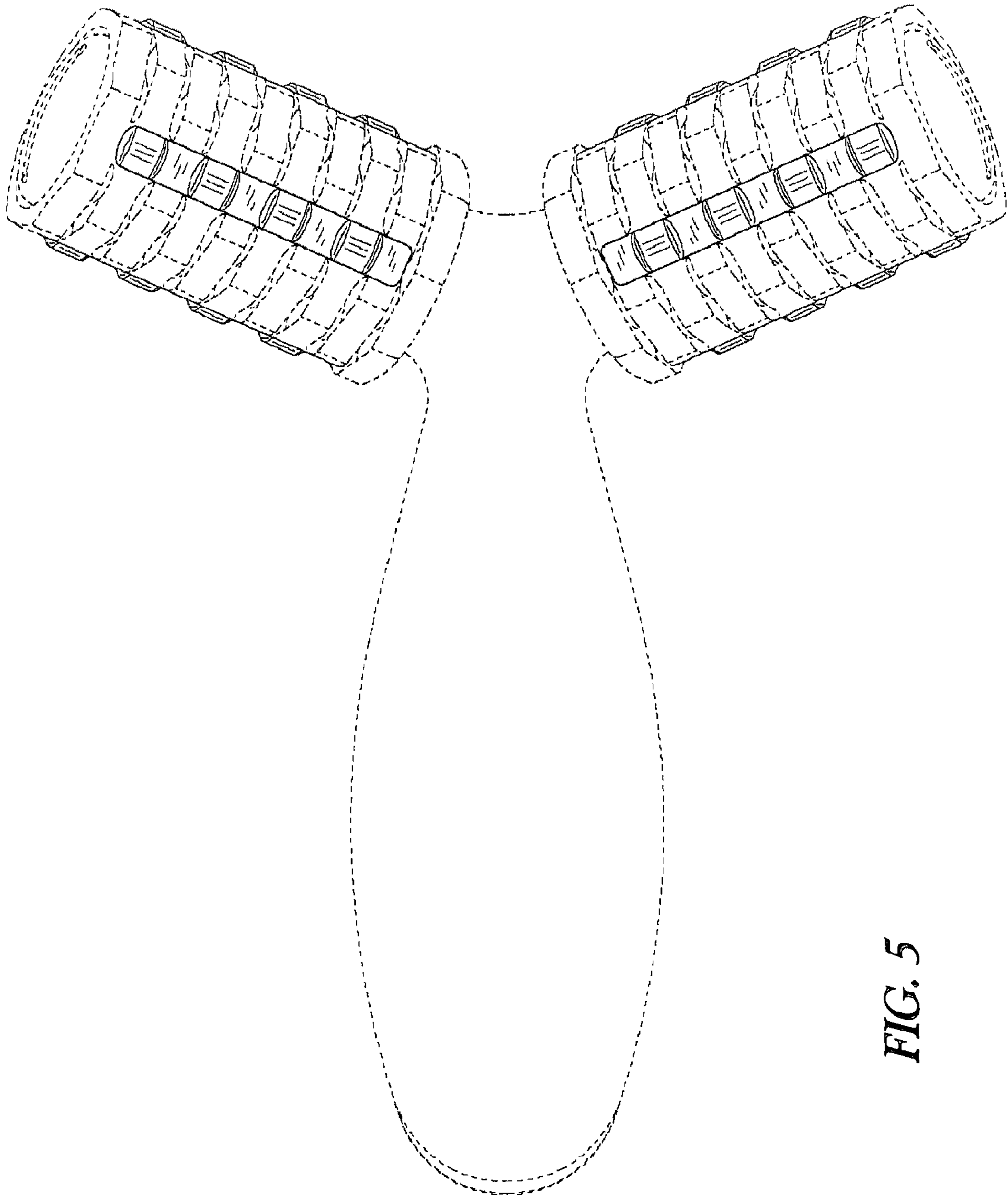


FIG. 5

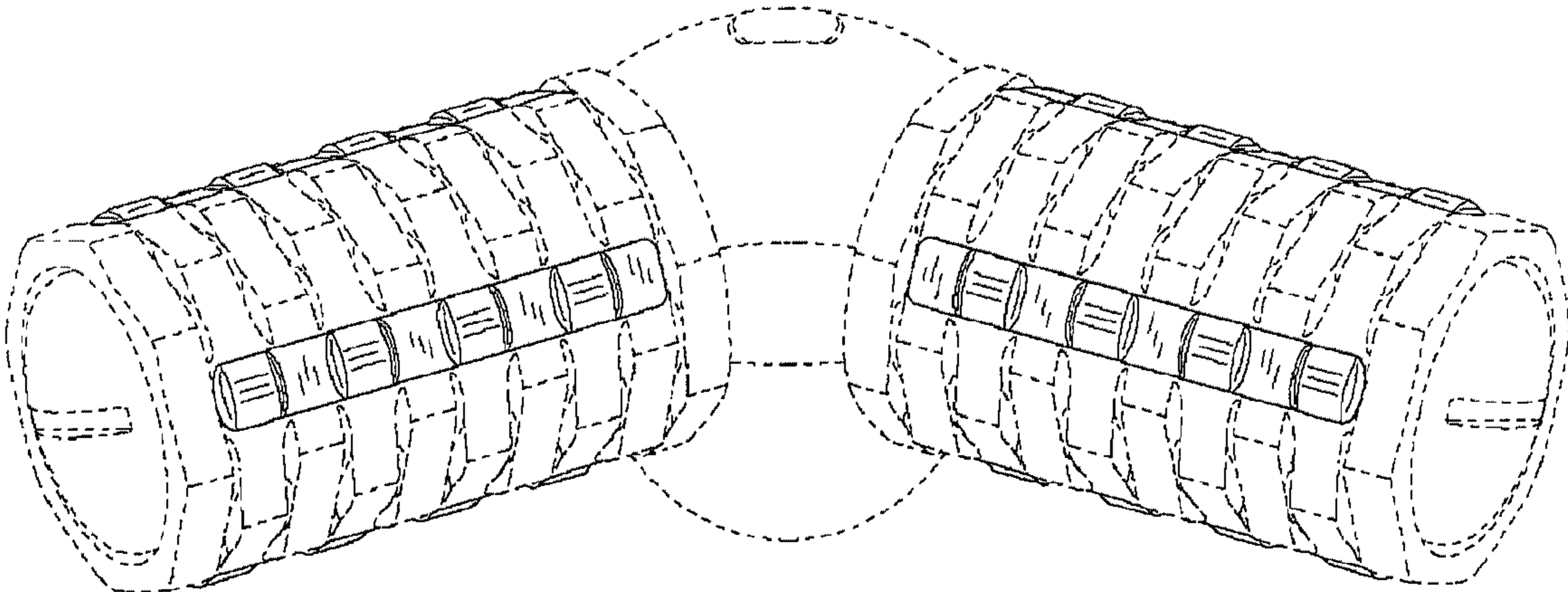


FIG. 6

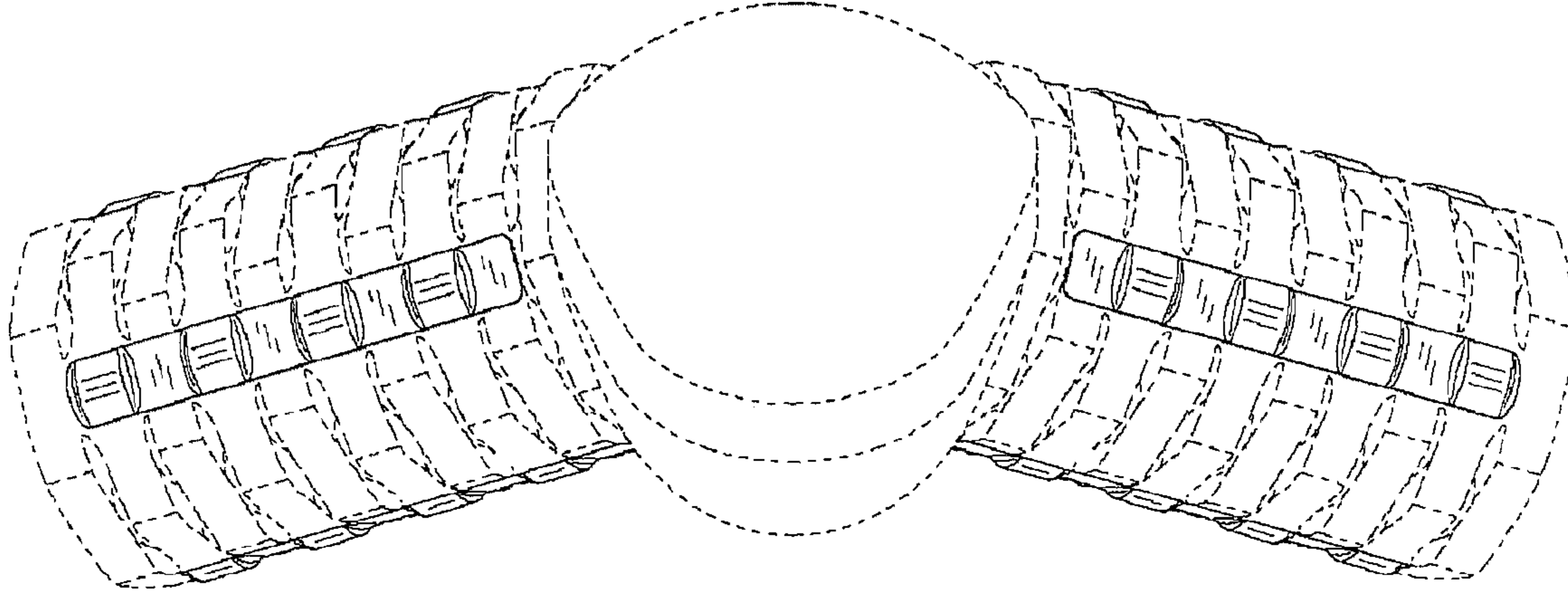
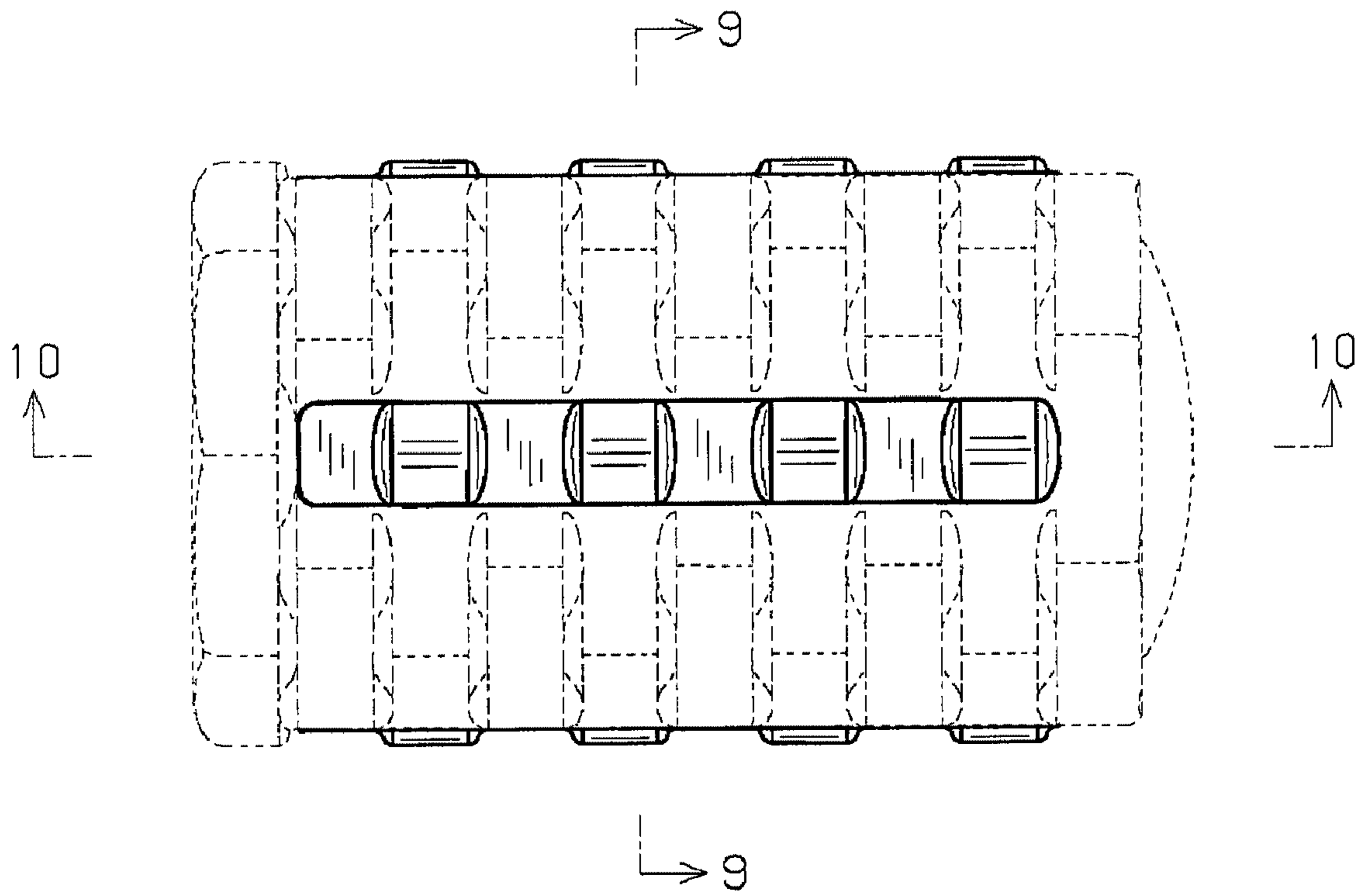
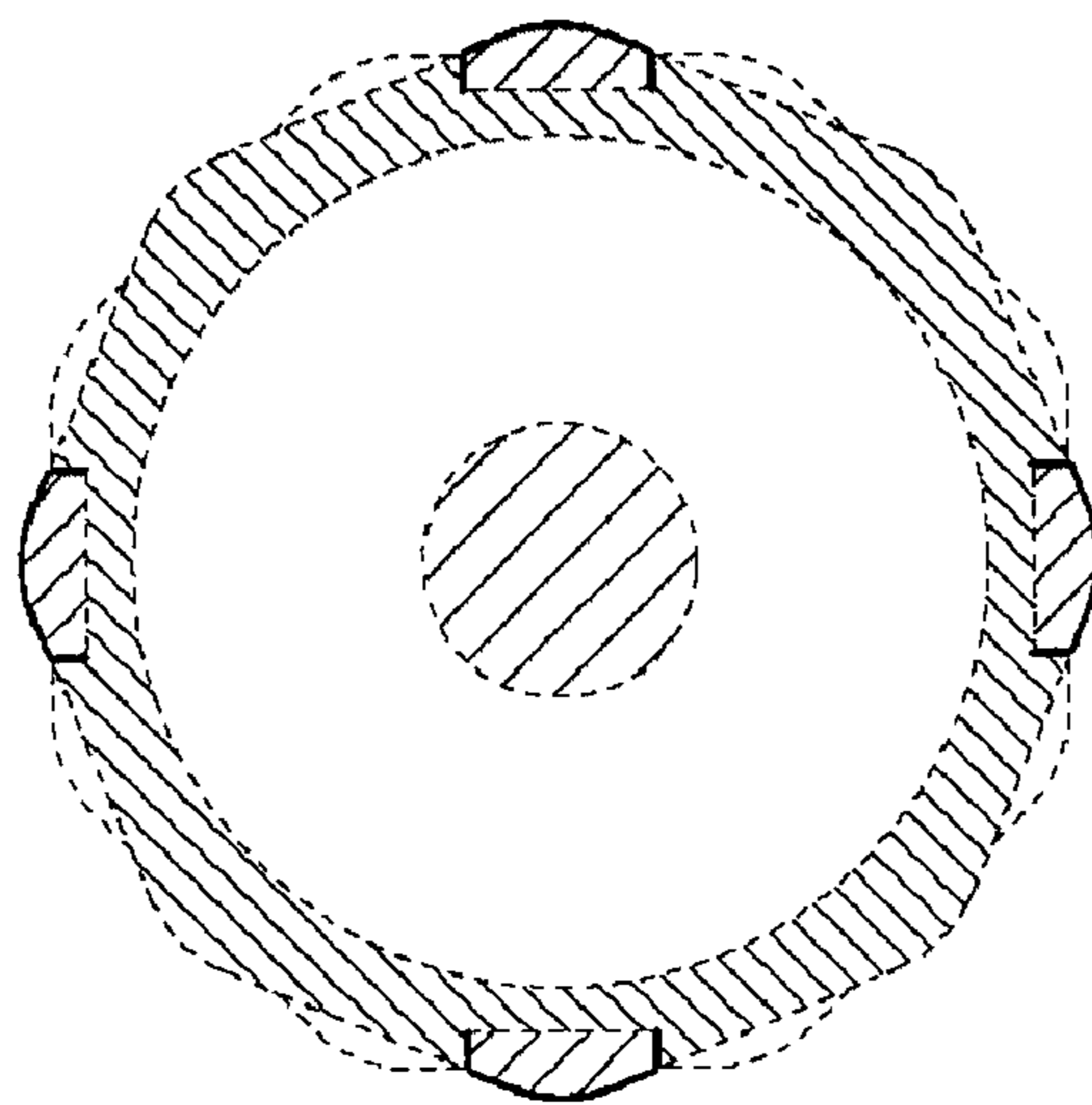


FIG. 7

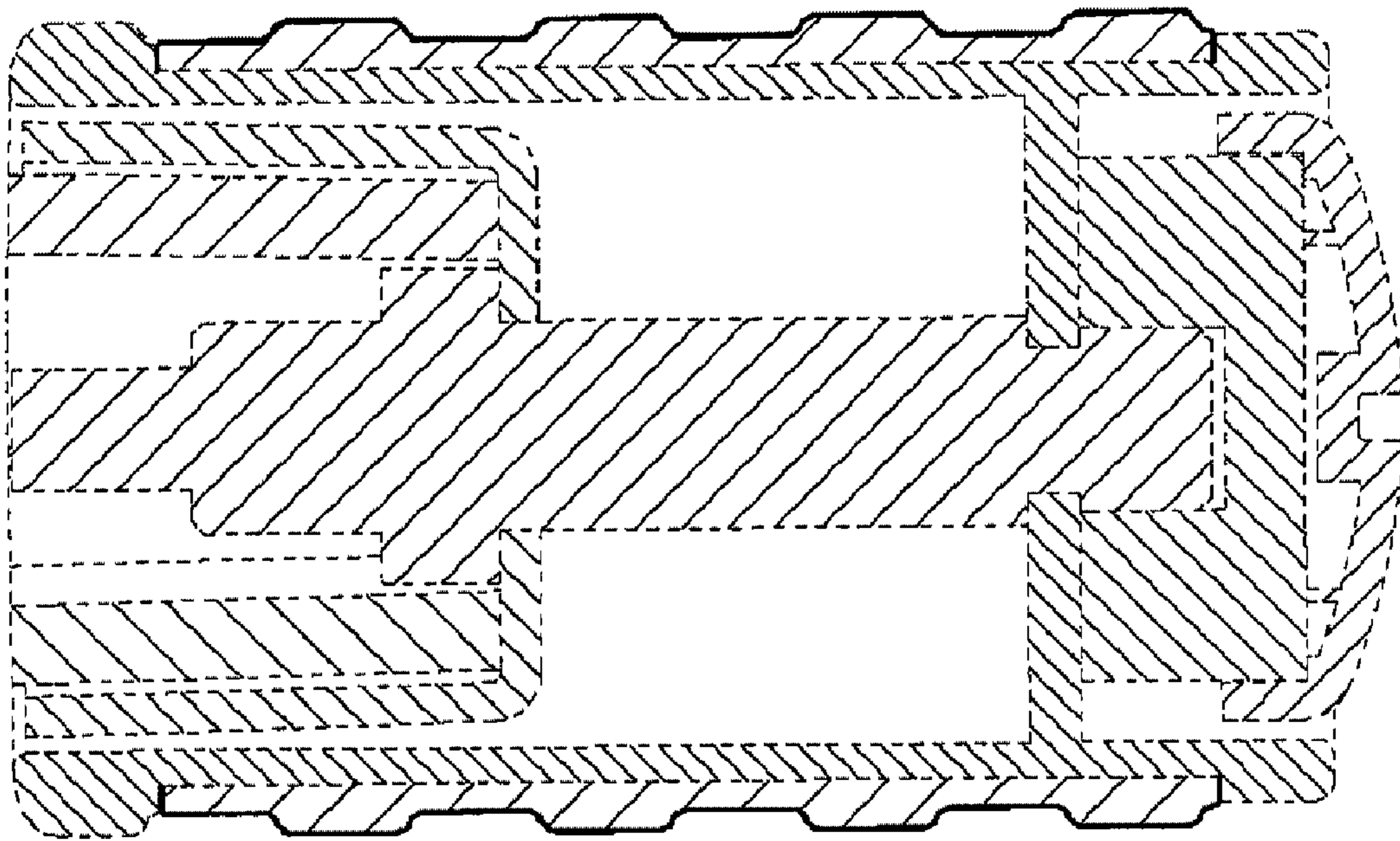


**FIG. 8**



**FIG. 9**





**FIG. 10**