



US00D657064S

(12) **United States Design Patent**
Nace et al.

(10) **Patent No.:** **US D657,064 S**

(45) **Date of Patent:** **** Apr. 3, 2012**

(54) **ORTHOTIC DEVICE**

(76) Inventors: **Richard A. Nace**, San Jose (CR);
Alexander Nace, San Jose (CR)

(**) Term: **14 Years**

(21) Appl. No.: **29/381,973**

(22) Filed: **Dec. 27, 2010**

(51) **LOC (9) Cl.** **24-01**

(52) **U.S. Cl.** **D24/190; D24/189**

(58) **Field of Classification Search** D24/189-190;
D29/100, 113-114, 120.1, 122-123; D2/610;
602/5, 19, 21-22, 30, 36, 42, 60-64; 2/16-17,
2/20-24, 44

See application file for complete search history.

(56) **References Cited**

U.S. PATENT DOCUMENTS

1,172,552	A *	2/1916	Peirce	2/22
2,649,088	A *	8/1953	Sigg	602/62
3,416,523	A *	12/1968	Yeremian	602/47
D232,496	S *	8/1974	Rowlings	D29/120.1
4,649,909	A *	3/1987	Thompson	602/42
D295,079	S *	4/1988	Wagle et al.	D24/189
D300,305	S *	3/1989	Scoville, Jr.	D10/57
5,220,691	A *	6/1993	Wieggers	2/24
D389,581	S *	1/1998	Fein	D24/189

6,117,096	A *	9/2000	Hassard	602/19
D455,237	S *	4/2002	Marasco	D29/122
D462,811	S *	9/2002	Marasco	D29/122
D545,441	S *	6/2007	Miyachika et al.	D24/189
D573,311	S *	7/2008	Crye et al.	D29/100
D618,810	S *	6/2010	Tanigawa et al.	D24/189
2007/0294799	A1 *	12/2007	Pedigo et al.	2/22
2011/0239348	A1 *	10/2011	Sandusky et al.	2/22

* cited by examiner

Primary Examiner — Susan E Krakower

(74) *Attorney, Agent, or Firm* — James E. Larson, Esq.

(57) **CLAIM**

We claim the ornamental design for an orthotic device, as shown and described.

DESCRIPTION

FIG. 1 is a front elevation view of the orthotic device showing our new design;

FIG. 2 is a back elevation view thereof;

FIG. 3 is a left side view thereof;

FIG. 4 is a right side view thereof;

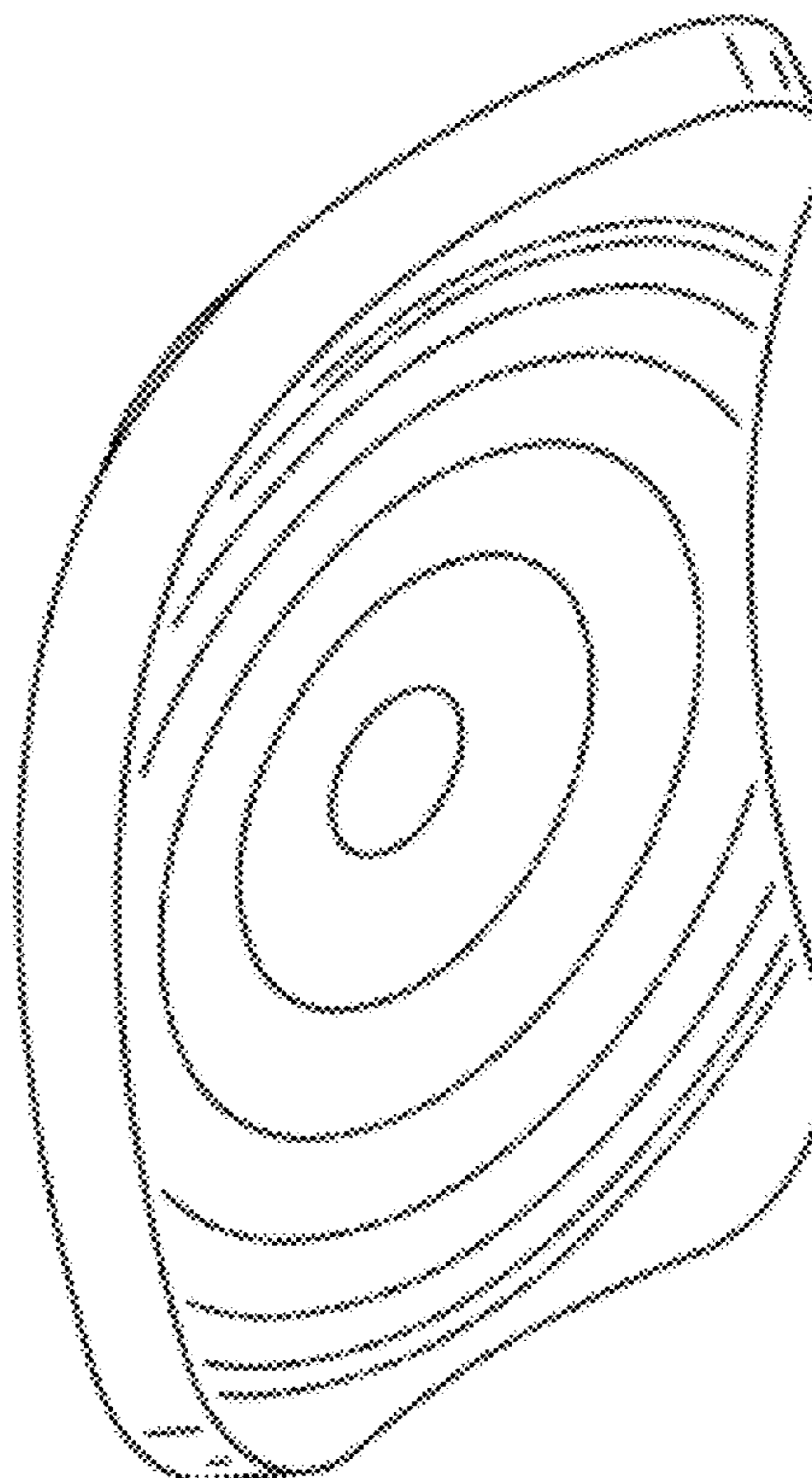
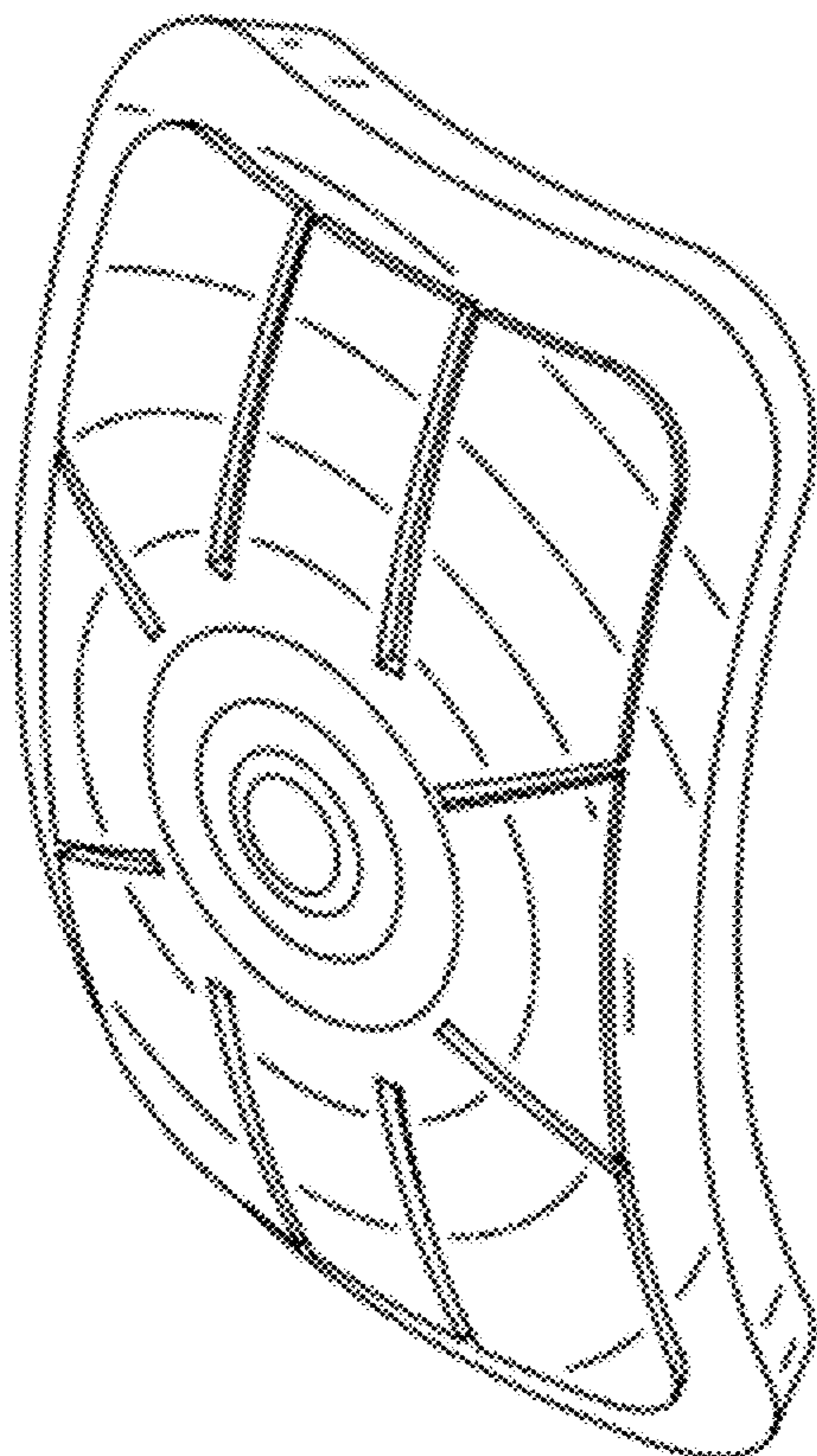
FIG. 5 is a top plan view thereof;

FIG. 6 is a bottom plan view thereof;

FIG. 7 is a front side perspective view thereof; and,

FIG. 8 is a back side perspective view thereof.

1 Claim, 4 Drawing Sheets



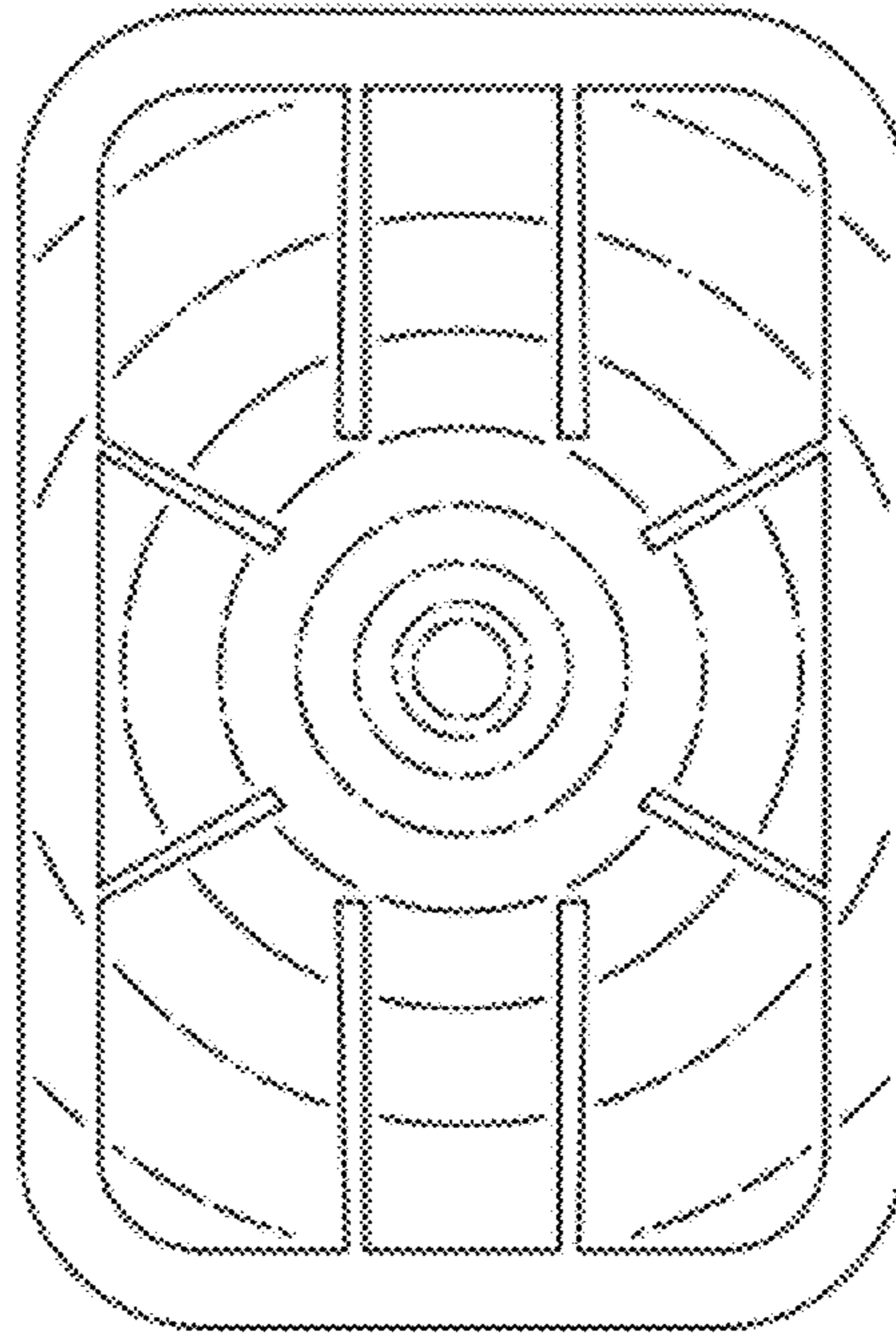


FIG. 1

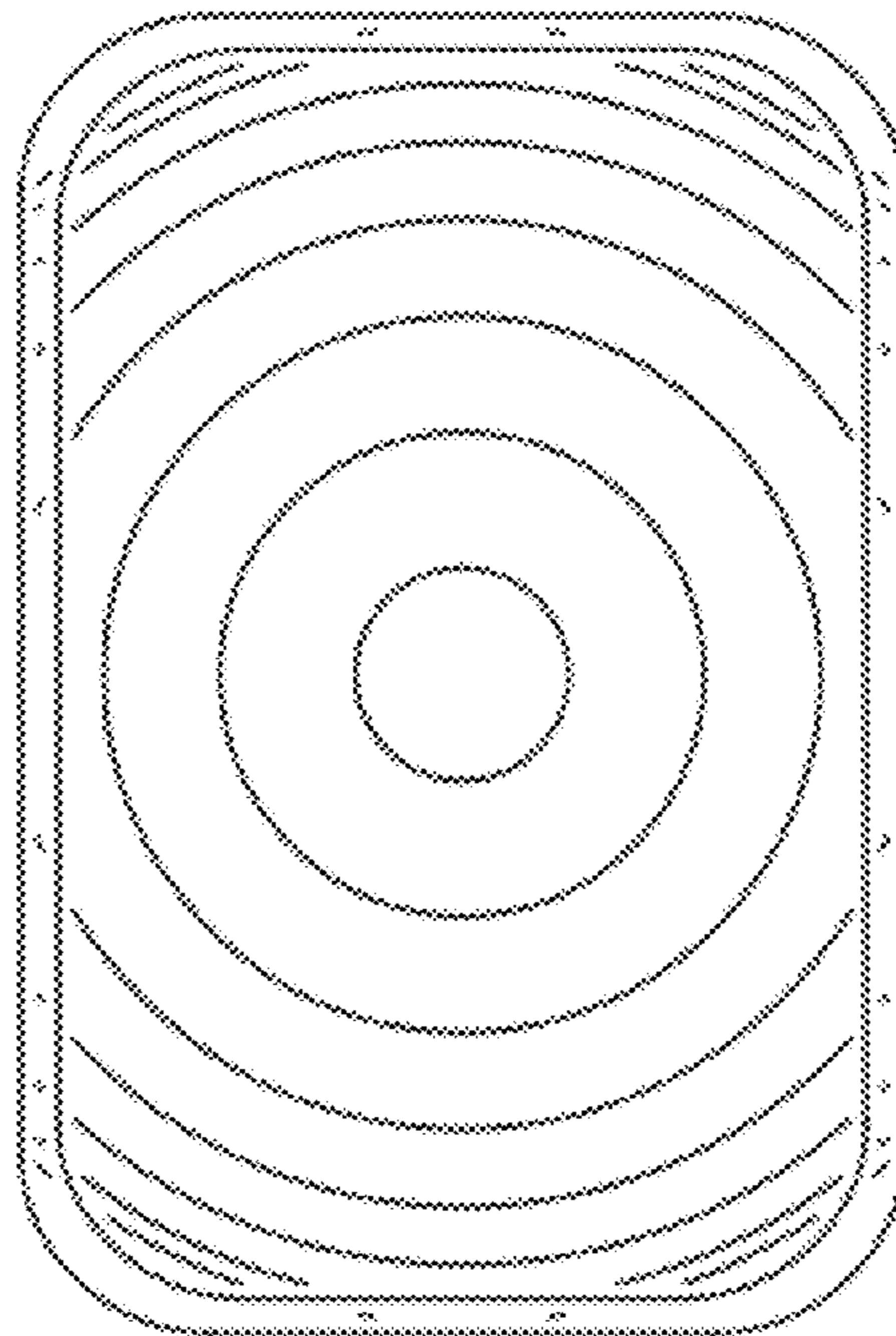


FIG. 2

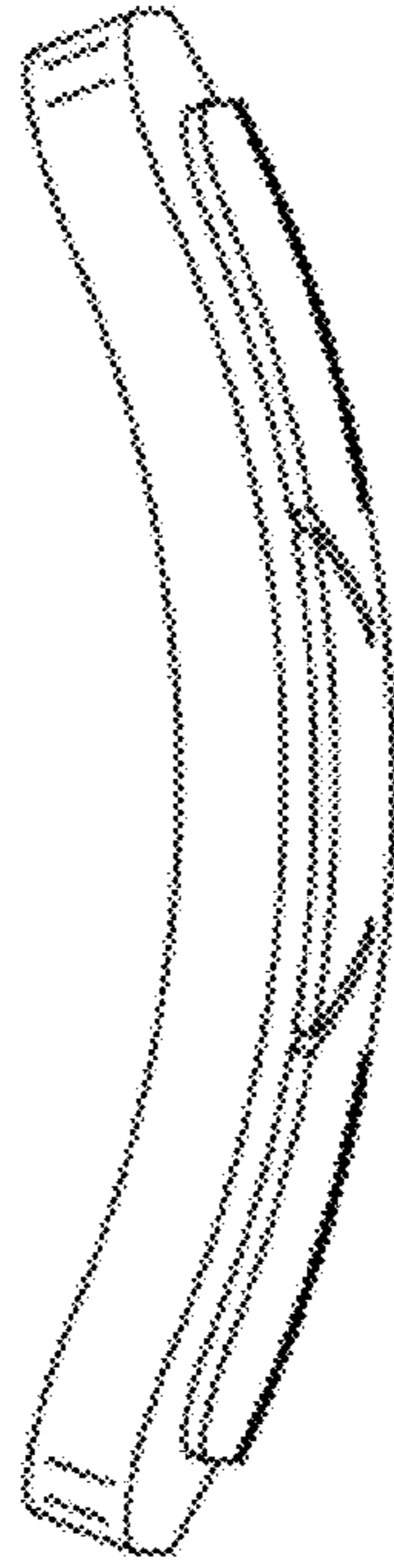


FIG. 3

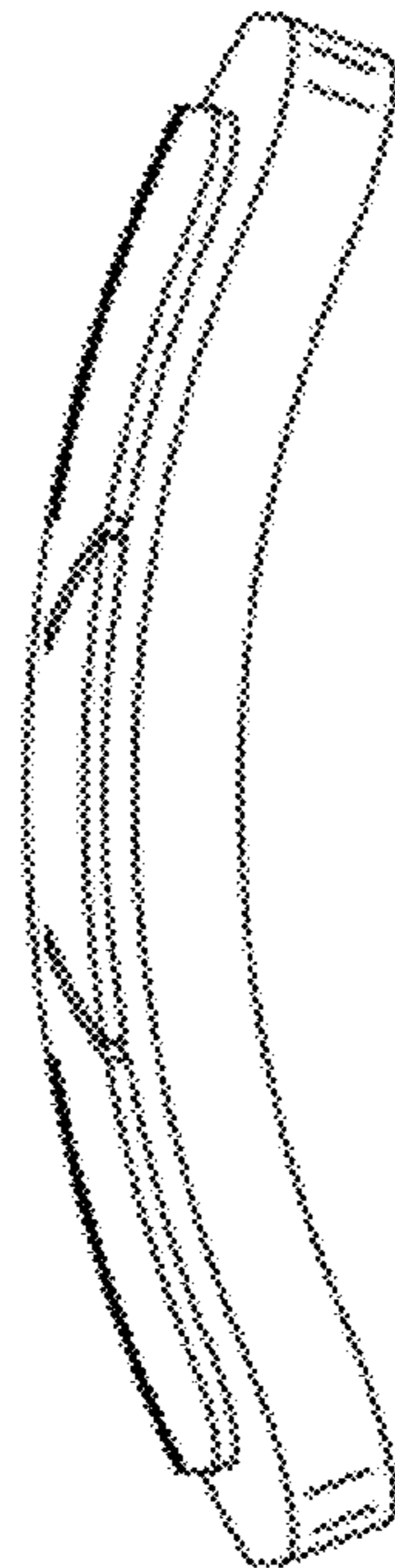


FIG. 4

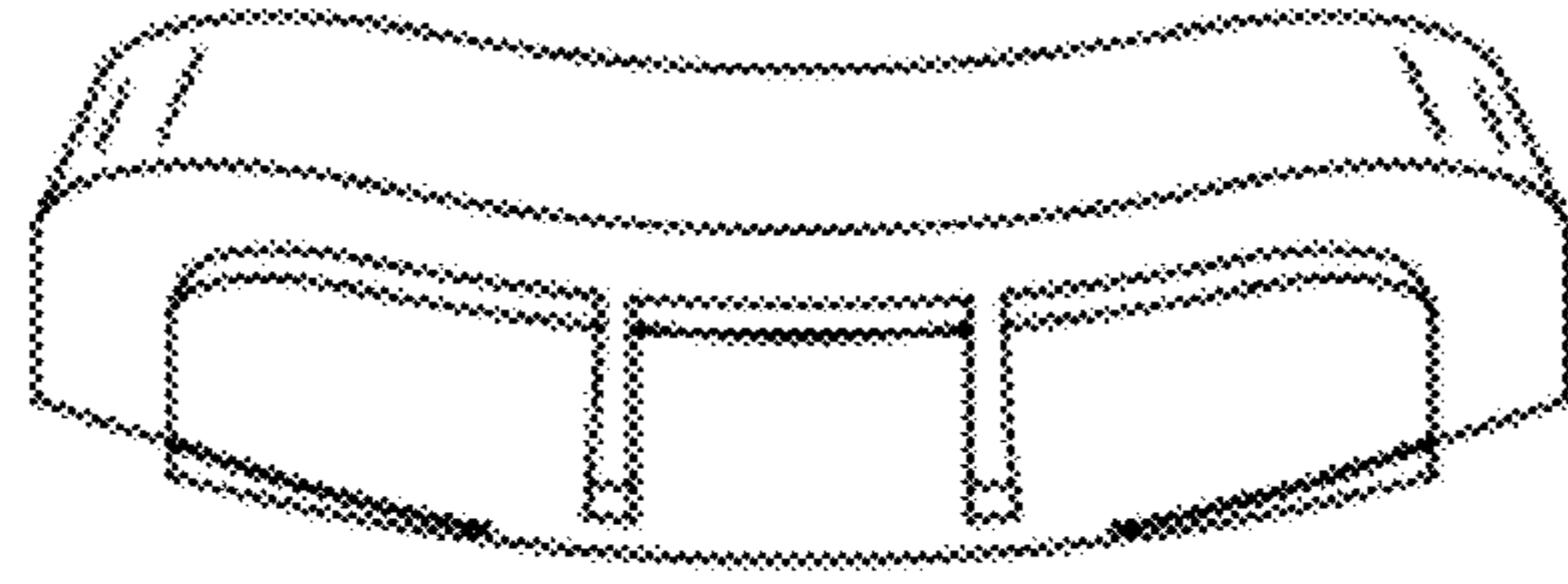


FIG. 5

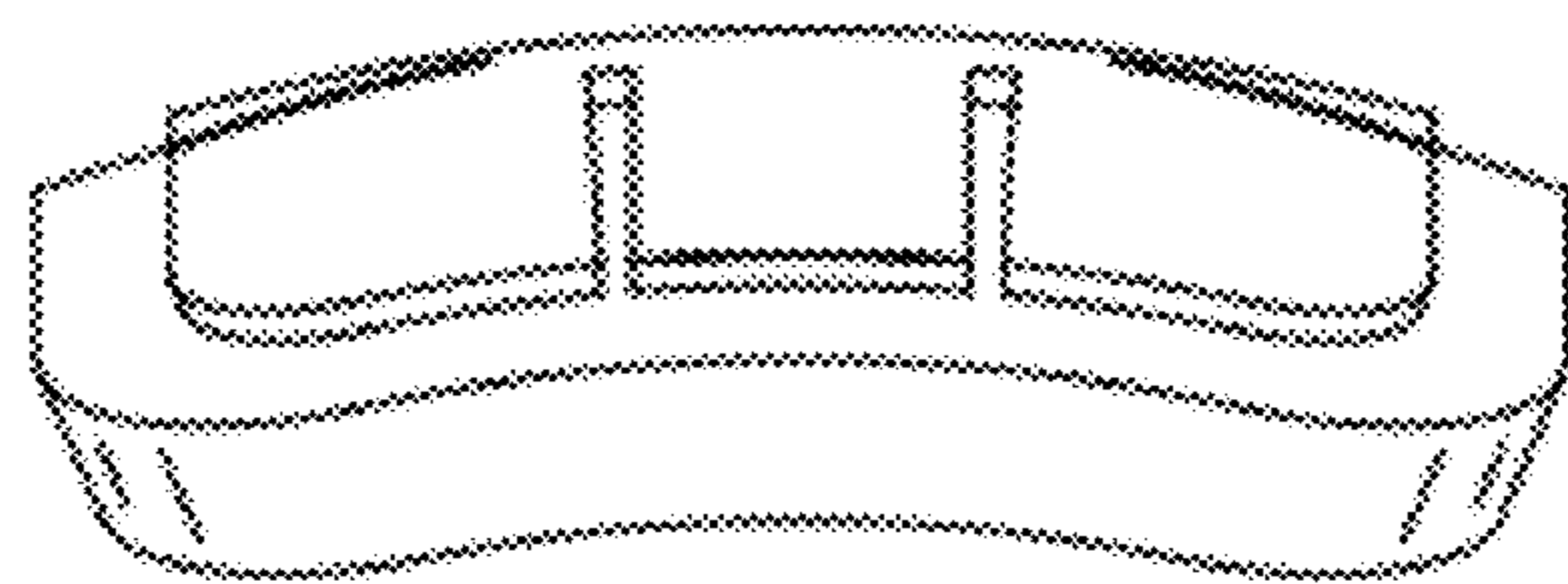


FIG. 6

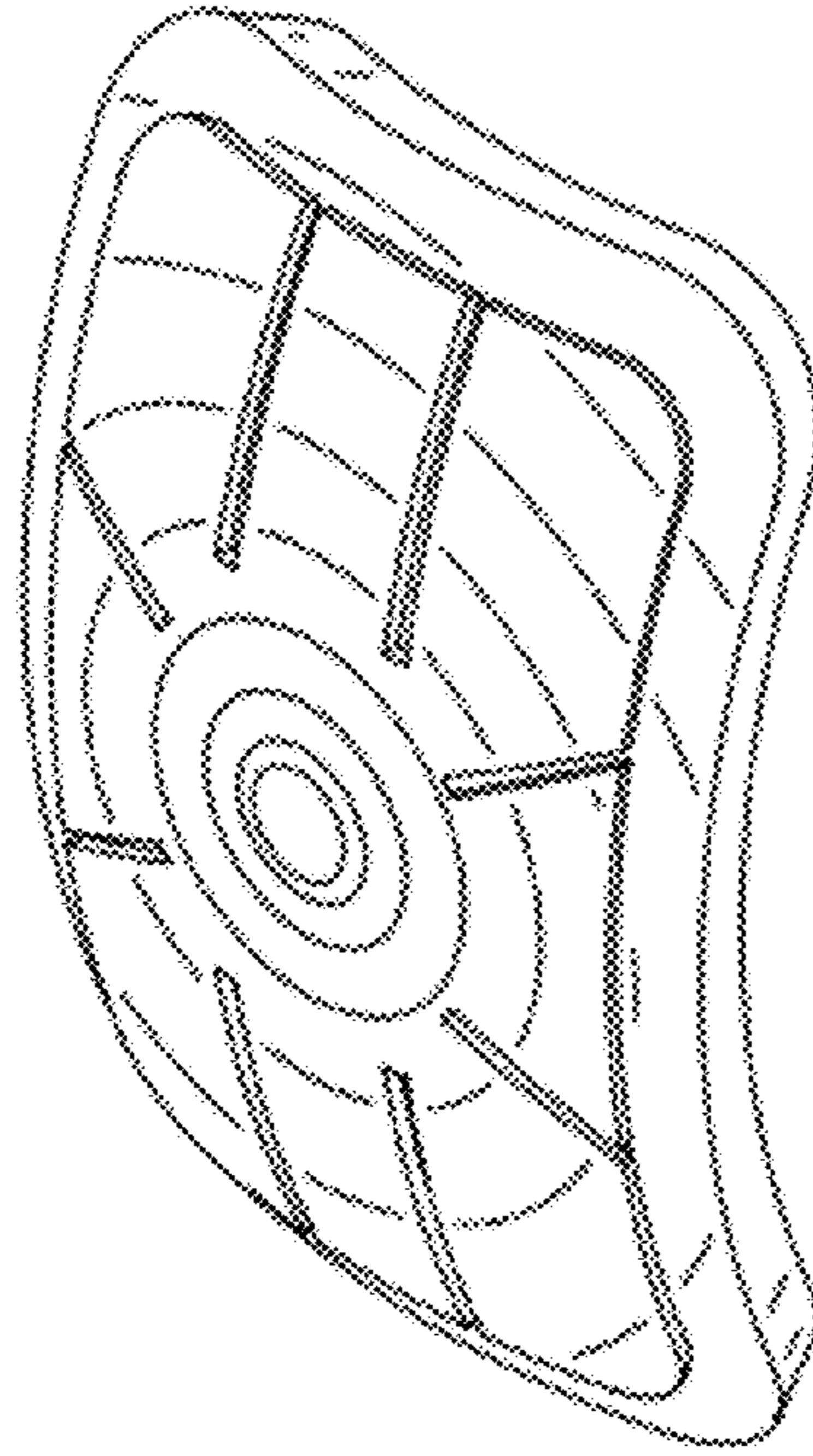


FIG. 7

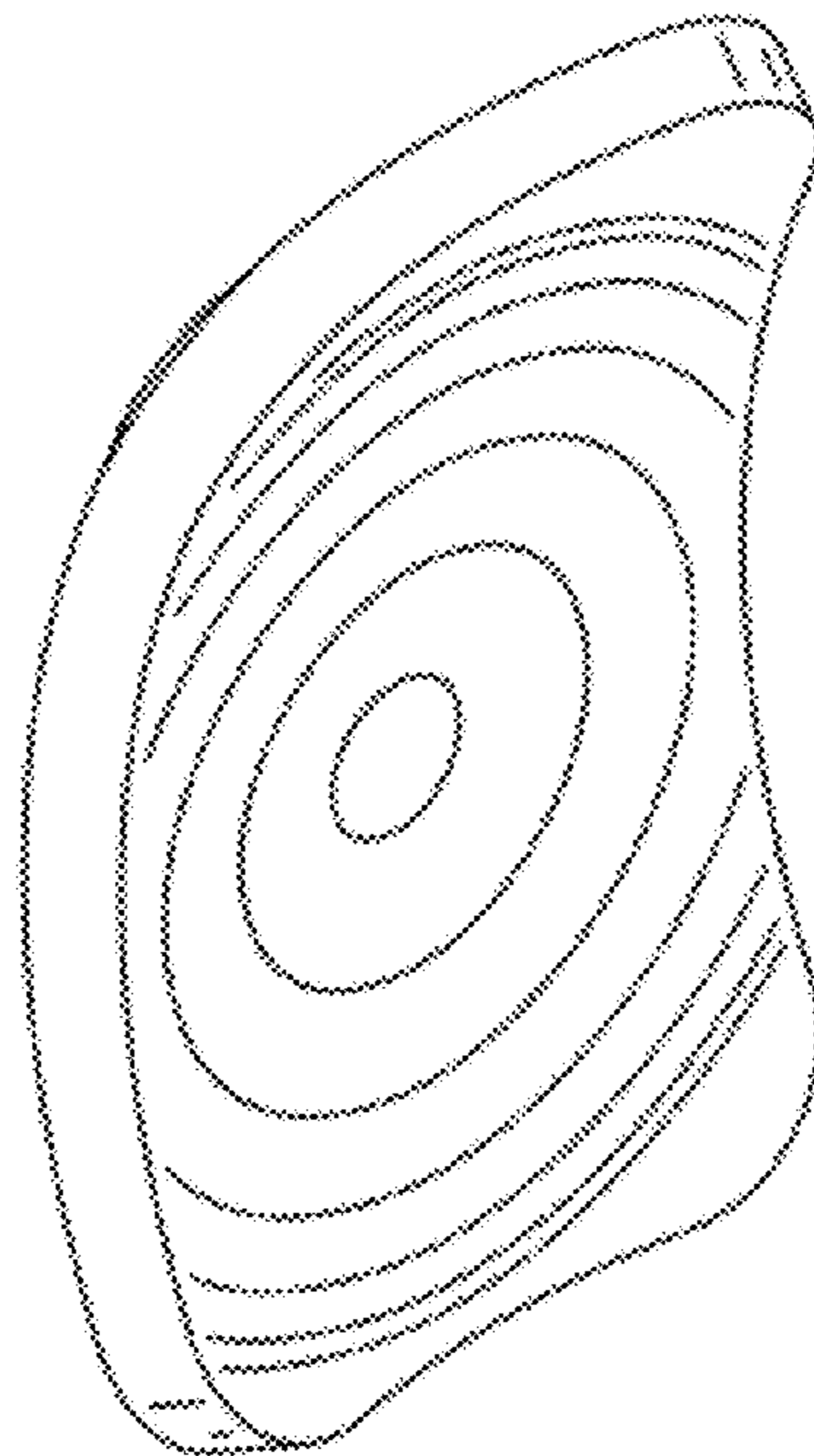


FIG. 8