



US00D657062S

(12) **United States Design Patent**
Chiang

(10) **Patent No.:** **US D657,062 S**

(45) **Date of Patent:** **** Apr. 3, 2012**

(54) **BACK SUPPORT**

(76) Inventor: **Pang-Ching Chiang**, Taipei (TW)

(**) Term: **14 Years**

(21) Appl. No.: **29/372,860**

(22) Filed: **Jan. 25, 2011**

(51) **LOC (9) Cl.** **24-01**

(52) **U.S. Cl.** **D24/190**

(58) **Field of Classification Search** D24/188-191,
D24/200, 206; D29/100, 101.2; D2/502,
D2/624, 627, 629, 634, 635; 602/5, 18, 19;
128/DIG. 23, 101.1; 2/44-45, 300, 338,
2/463-465; D21/662; 450/119, 121

See application file for complete search history.

(56) **References Cited**

U.S. PATENT DOCUMENTS

2,097,159	A *	10/1937	Kendrick	450/130
5,399,151	A *	3/1995	Smith	602/19
5,820,575	A *	10/1998	Cabrera et al.	602/19
5,833,638	A *	11/1998	Nelson	602/19
D418,948	S *	1/2000	London	D29/101.1
6,336,908	B1 *	1/2002	Slautterback	602/19

D496,108	S *	9/2004	Machin et al.	D24/206
7,449,006	B2 *	11/2008	Wolanske	602/19
D625,019	S *	10/2010	Chiang	D24/190
D626,244	S *	10/2010	Sagnip et al.	D24/190
D628,300	S *	11/2010	Caden	D24/190
D633,622	S *	3/2011	Chiang	D24/190
D635,682	S *	4/2011	Chiang	D24/190
2009/0326427	A1 *	12/2009	Kawahara	602/19
2010/0049109	A1 *	2/2010	Stewart, III	602/19

* cited by examiner

Primary Examiner — Susan E Krakower

(74) *Attorney, Agent, or Firm* — Charles E. Baxley

(57) **CLAIM**

The ornamental design for a back support, as shown.

DESCRIPTION

FIG. 1 is a front perspective view of a back support showing my new design;

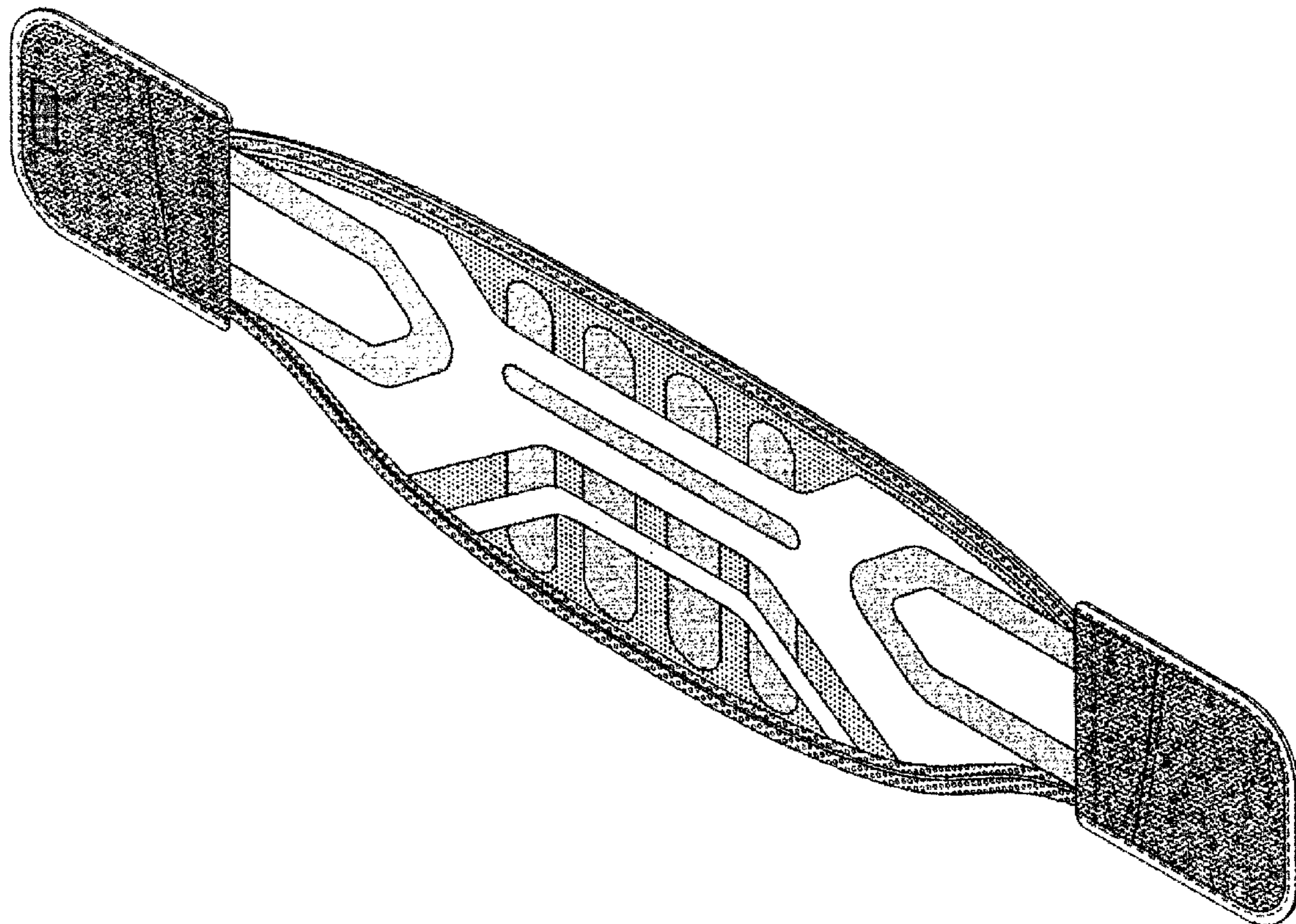
FIG. 2 is a front view thereof;

FIG. 3 is a rear view thereof; and,

FIG. 4 is rear perspective view thereof.

Edges have no design features.

1 Claim, 4 Drawing Sheets



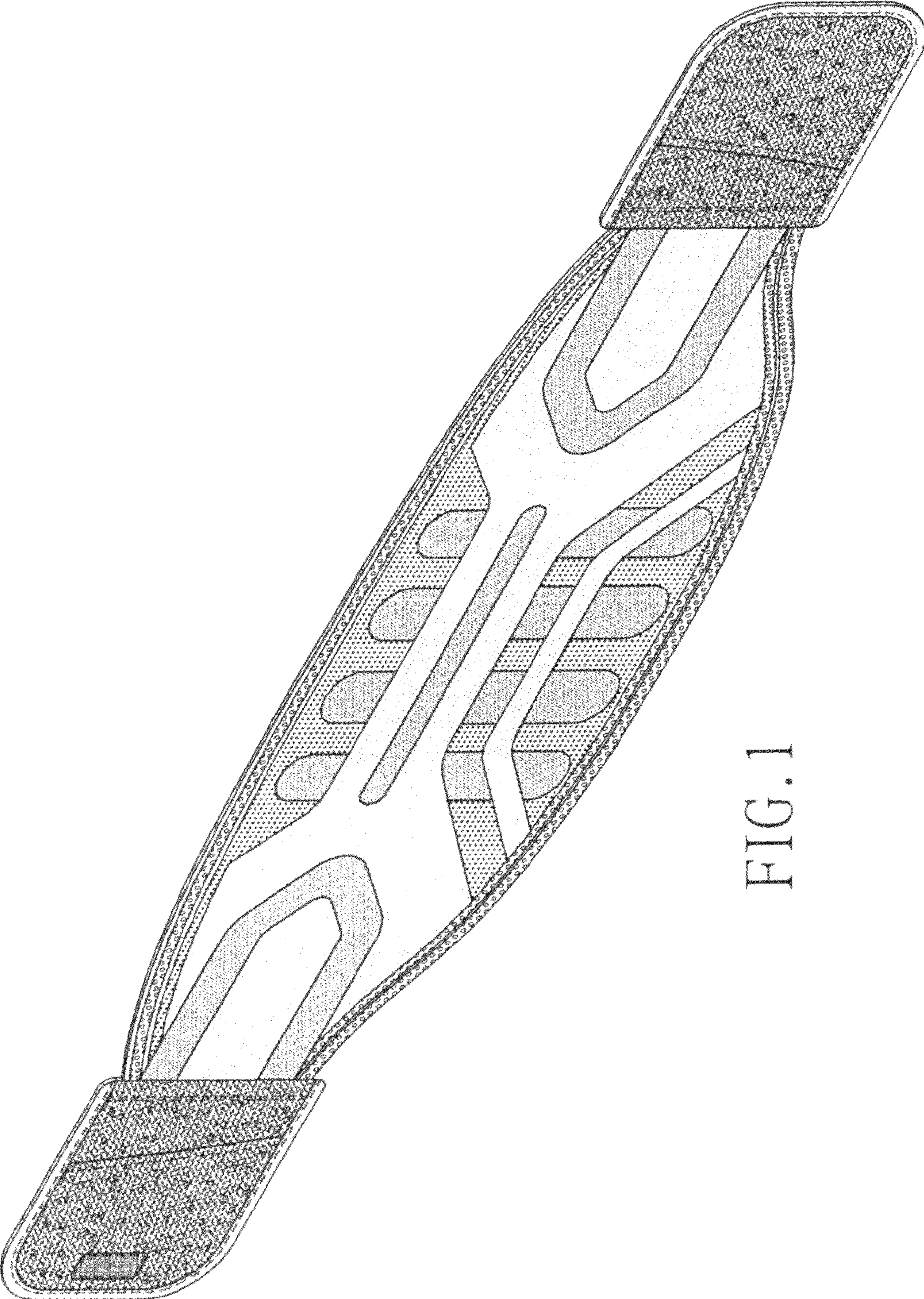


FIG. 1

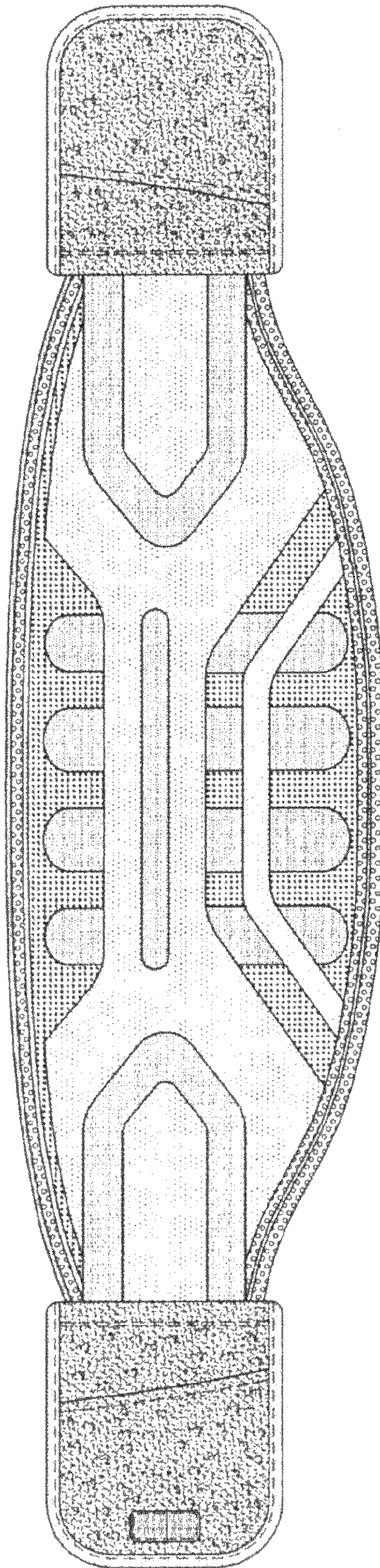


FIG. 2

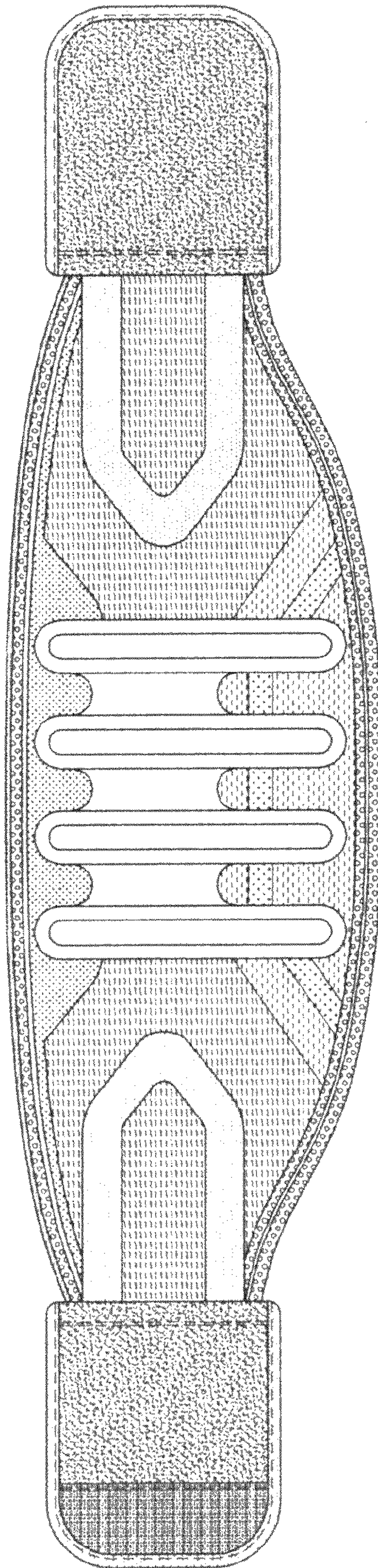


FIG. 3

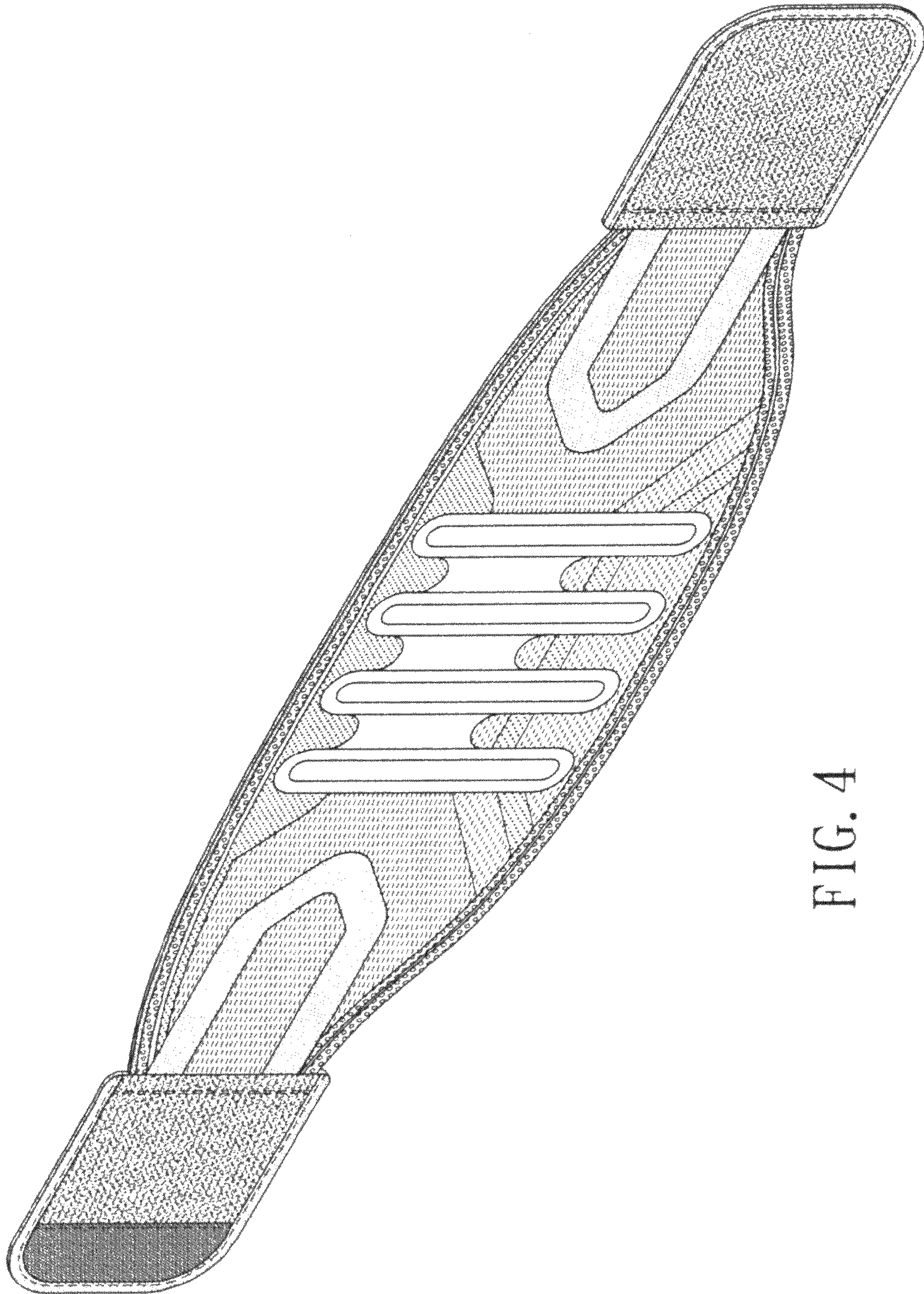


FIG. 4