



US00D657060S

(12) **United States Design Patent**  
**Frenkler et al.**

(10) **Patent No.:** **US D657,060 S**  
(45) **Date of Patent:** **\*\* Apr. 3, 2012**

(54) **DENTAL RINSING UNIT**

(75) Inventors: **Fritz Frenkler**, Munich (DE); **Anette Ponholzer**, Munich (DE); **Hiroshi Kaneko**, Munich (DE)

(73) Assignee: **Kabushiki Kaisha Morita Seisakusho**, Kyoto-shi, Kyoto (JP)

(\*\*) Term: **14 Years**

(21) Appl. No.: **29/371,429**

(22) Filed: **Feb. 23, 2011**

(30) **Foreign Application Priority Data**

Aug. 23, 2010 (JP) ..... 2010-020304

(51) **LOC (9) Cl.** ..... **24-02**

(52) **U.S. Cl.** ..... **D24/177**

(58) **Field of Classification Search** ..... D24/176-177, D24/186, 178; 134/167 RM, 170-171; 251/5, 251/289, 331; 4/263; 433/25, 53, 79, 82, 433/97, 33, 77, 28; 248/282.1, 283.1, 124.1, 248/183.1, 276.1; 312/209, 298, 302, 311  
See application file for complete search history.

(56) **References Cited**

**U.S. PATENT DOCUMENTS**

1,537,140 A \* 5/1925 Russell et al. .... 433/79  
1,814,875 A \* 7/1931 Weber ..... 433/79  
D208,304 S \* 8/1967 Krantz ..... D24/177  
D225,855 S \* 1/1973 Krantz ..... D24/177

3,805,388 A \* 4/1974 Kato ..... 433/79  
D258,007 S \* 1/1981 Schmidt ..... D24/177  
4,430,062 A \* 2/1984 Henrichsen et al. .... 433/28  
D277,503 S \* 2/1985 Truette et al. .... D24/177  
D378,415 S \* 3/1997 Irwin et al. .... D24/177  
D498,847 S \* 11/2004 Castellini ..... D24/177  
D555,245 S \* 11/2007 Castellini ..... D24/177  
D583,951 S \* 12/2008 Lewis ..... D24/177  
D605,295 S \* 12/2009 Albers et al. .... D24/177  
2009/0081607 A1 \* 3/2009 Frey ..... 433/82  
2010/0086894 A1 \* 4/2010 Dachowski ..... 433/97

\* cited by examiner

*Primary Examiner* — Wan Laymon

(74) *Attorney, Agent, or Firm* — Jacobson Holman PLLC

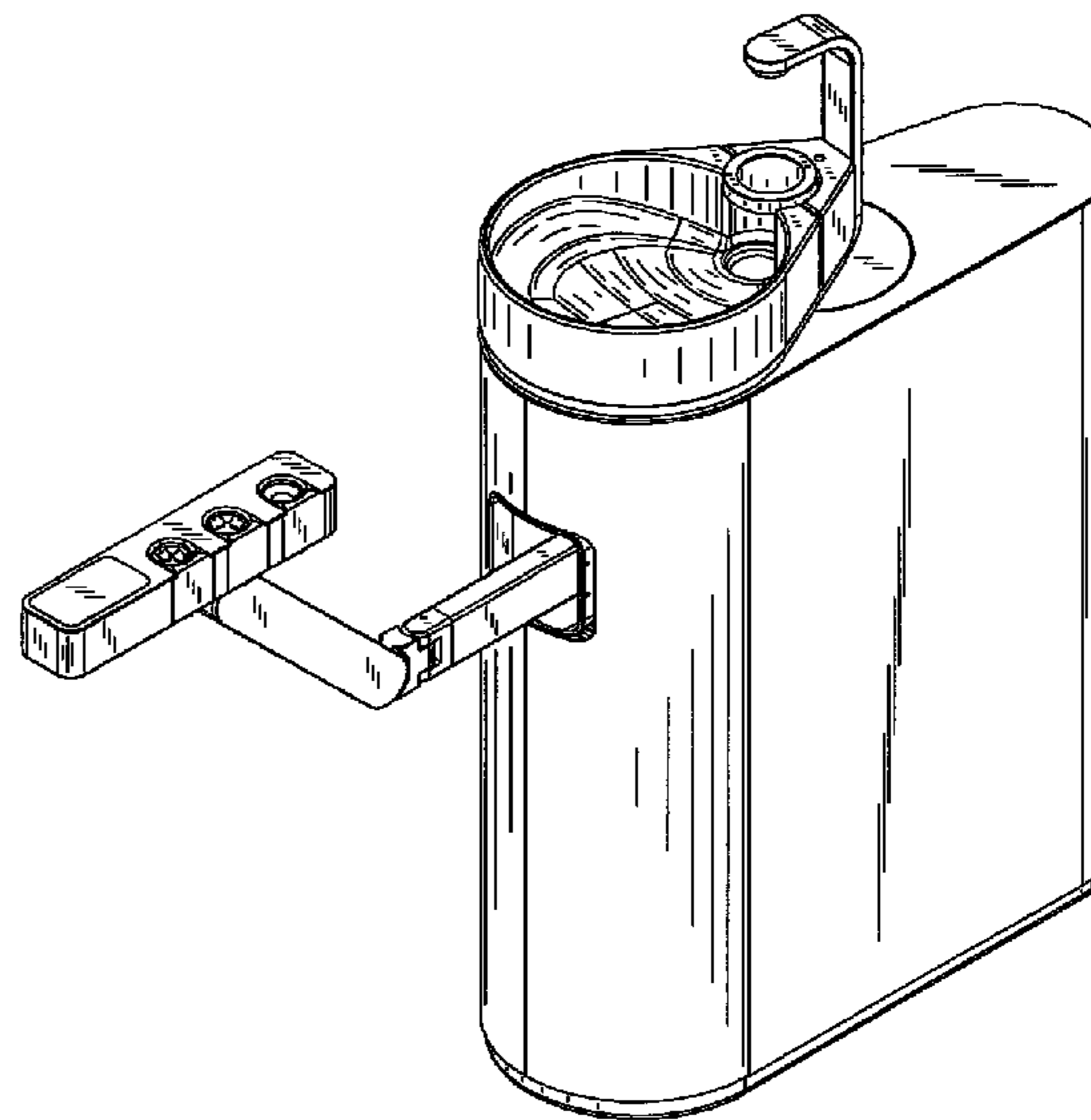
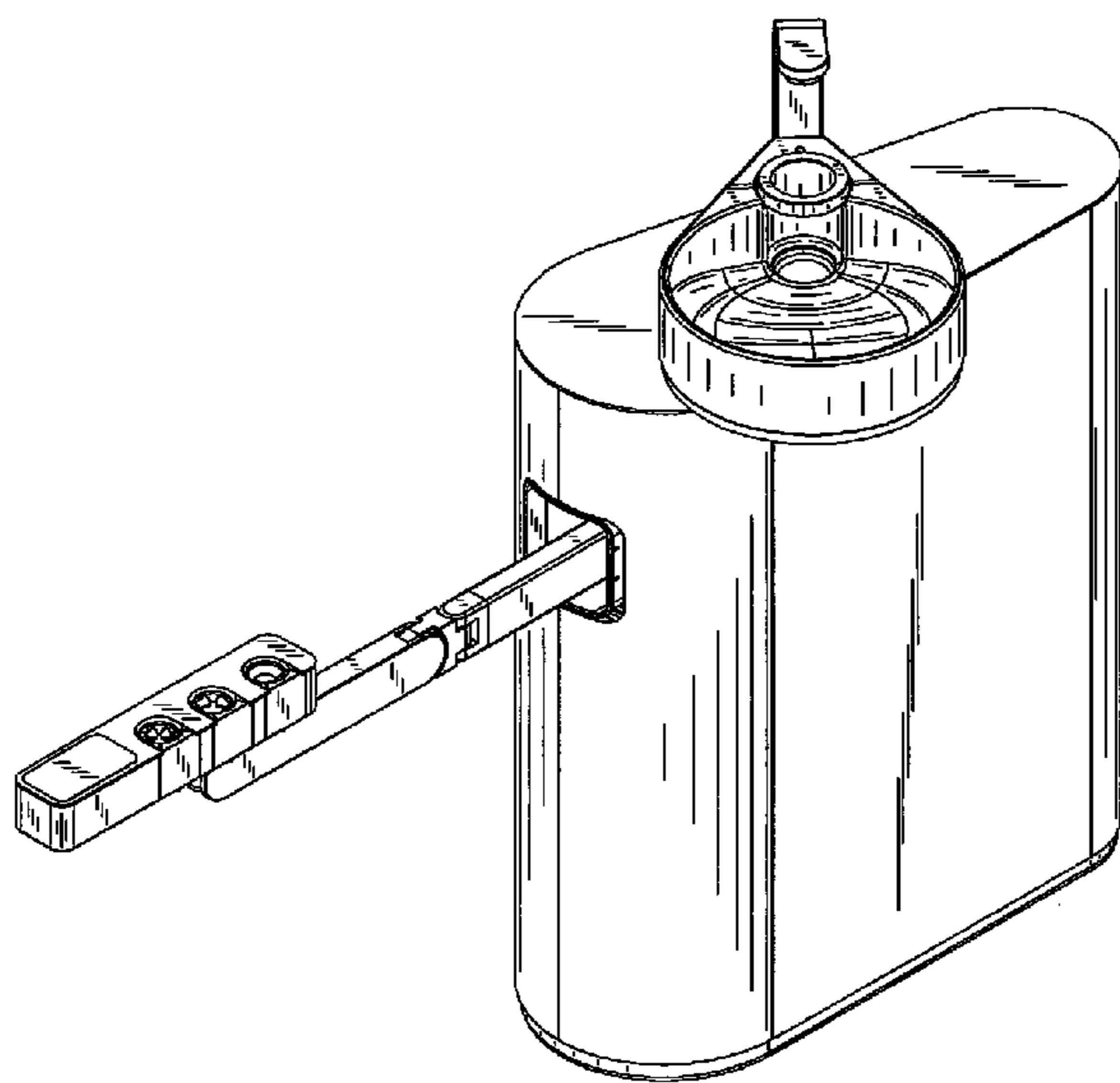
(57) **CLAIM**

The ornamental design for a dental rinsing unit, as shown and described.

**DESCRIPTION**

FIG. 1 is a perspective view for a dental rinsing unit showing our new design,  
FIG. 2 is a front view thereof,  
FIG. 3 is a rear view thereof,  
FIG. 4 is a left side view thereof,  
FIG. 5 is a right side view thereof,  
FIG. 6 is a top view thereof,  
FIG. 7 is a bottom view thereof; and,  
FIG. 8 is another perspective view with alternate positioning of component parts.

**1 Claim, 8 Drawing Sheets**



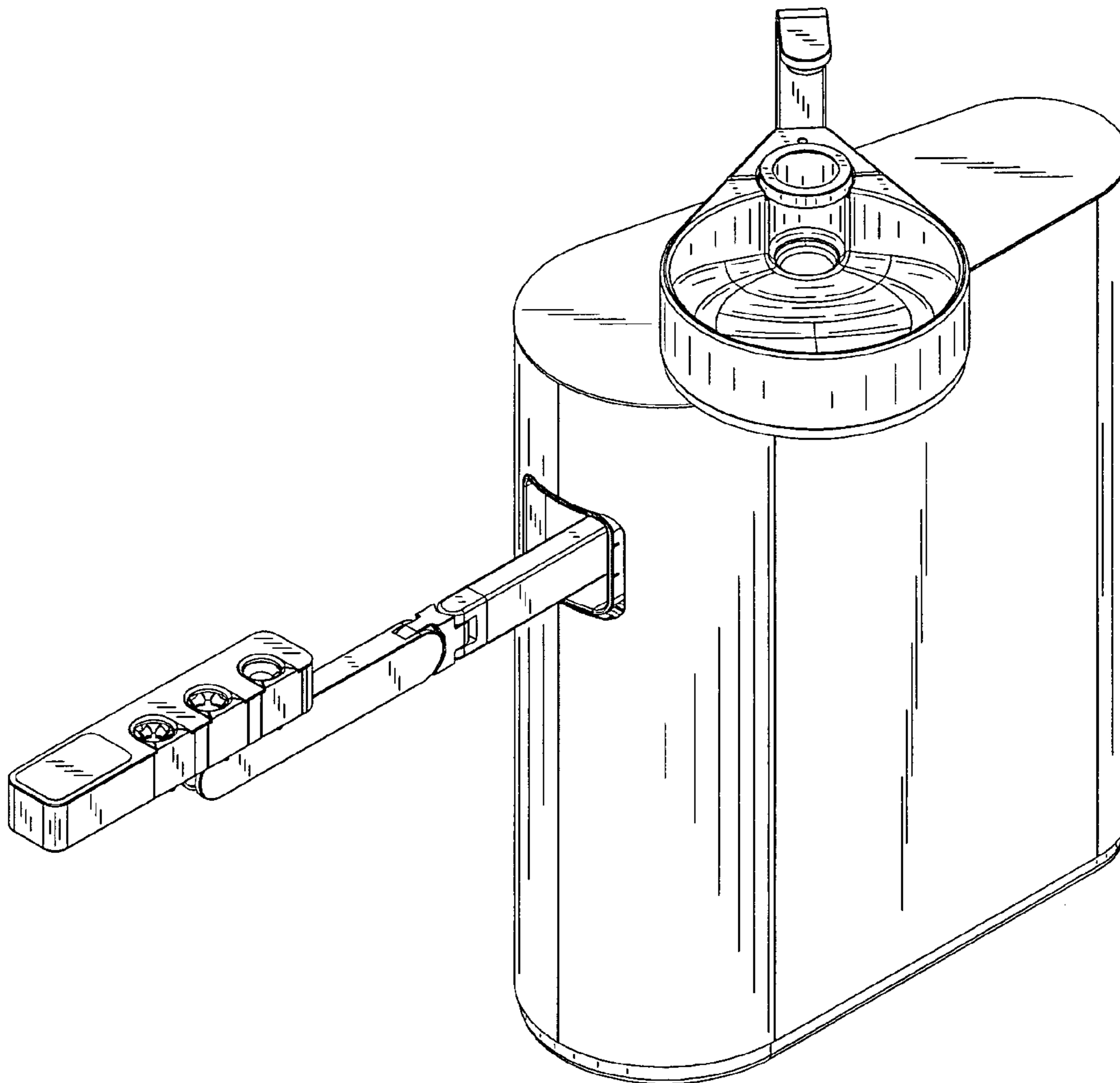


FIG. 1

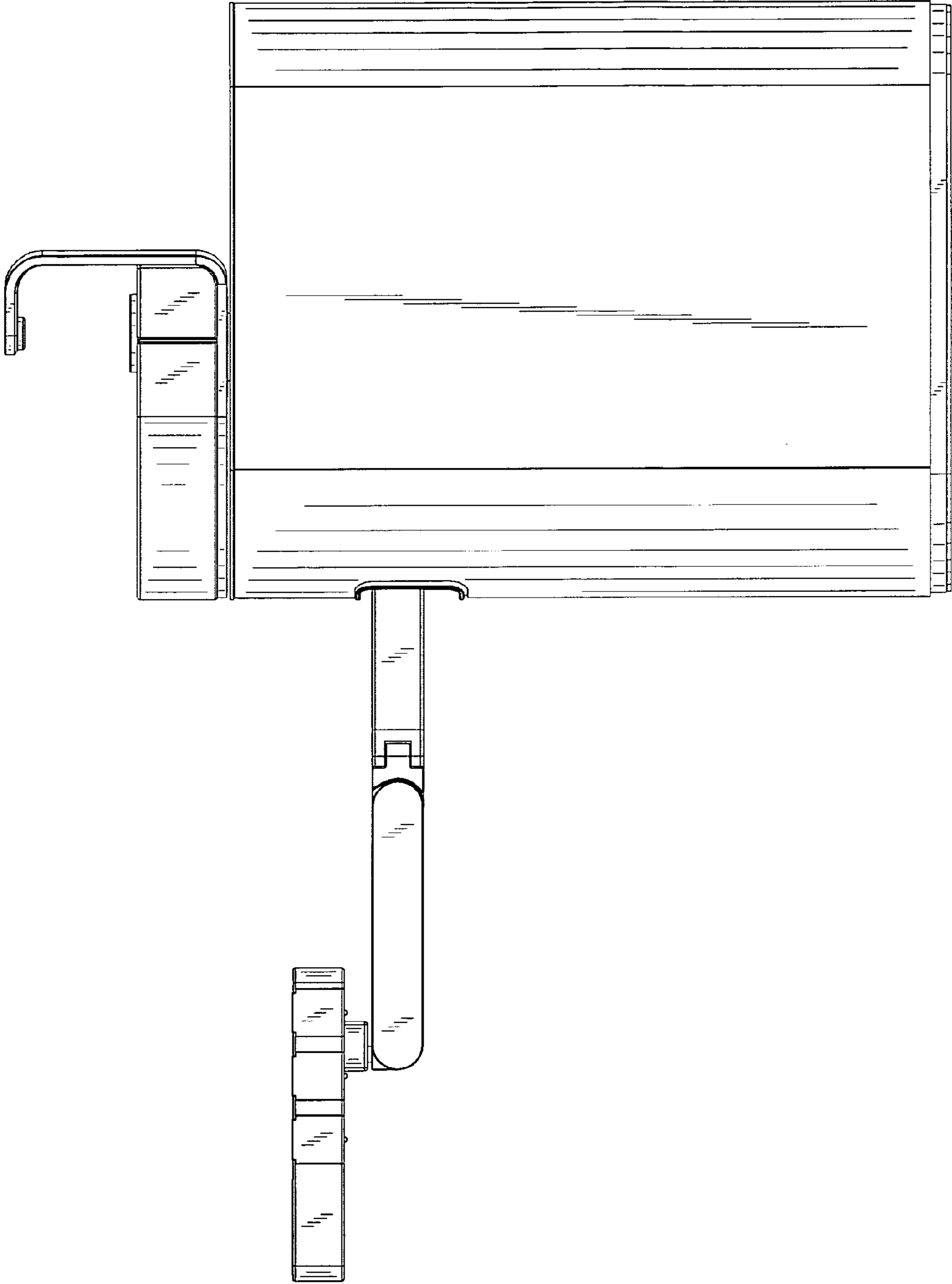


FIG. 2

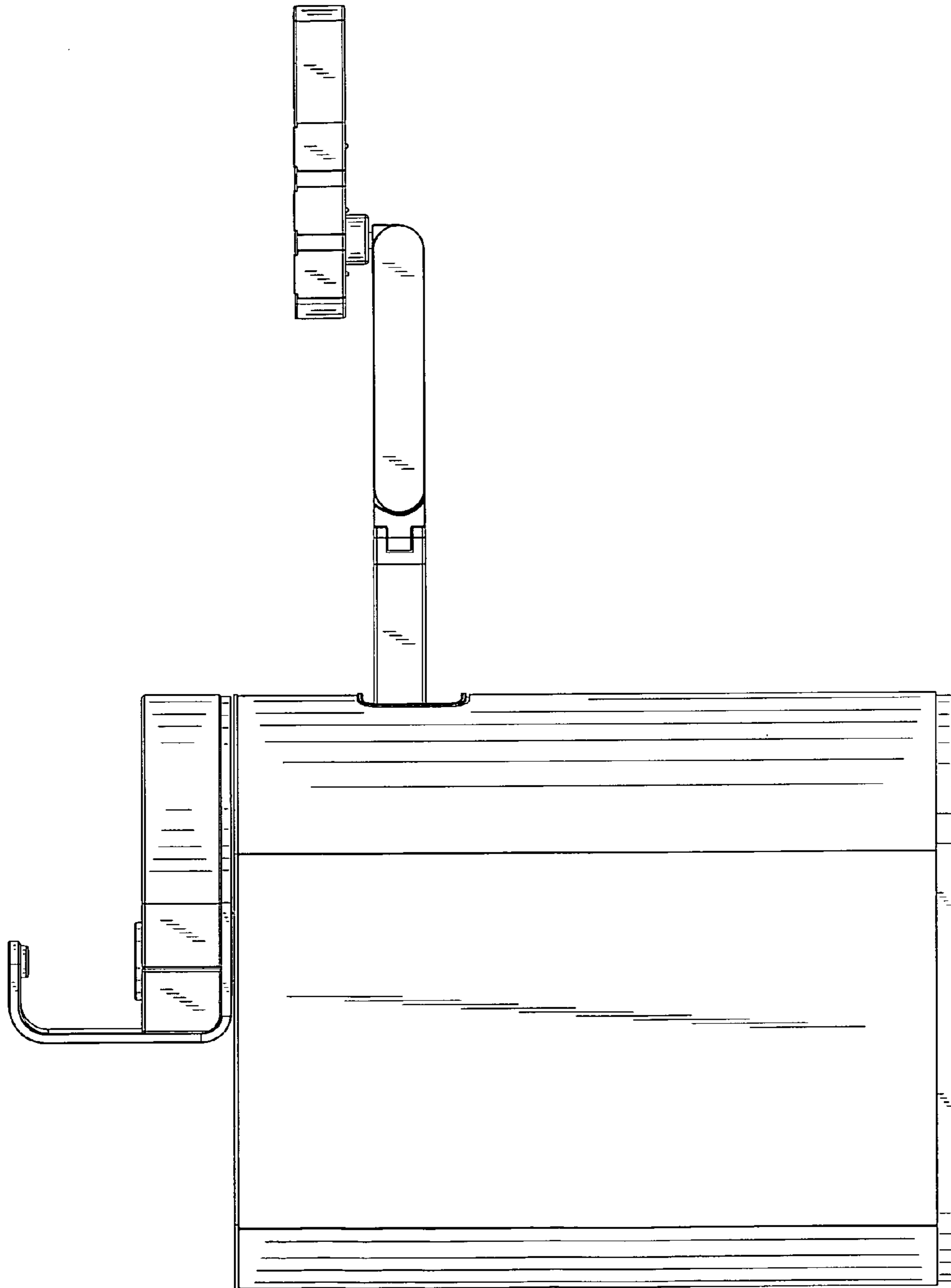


FIG. 3

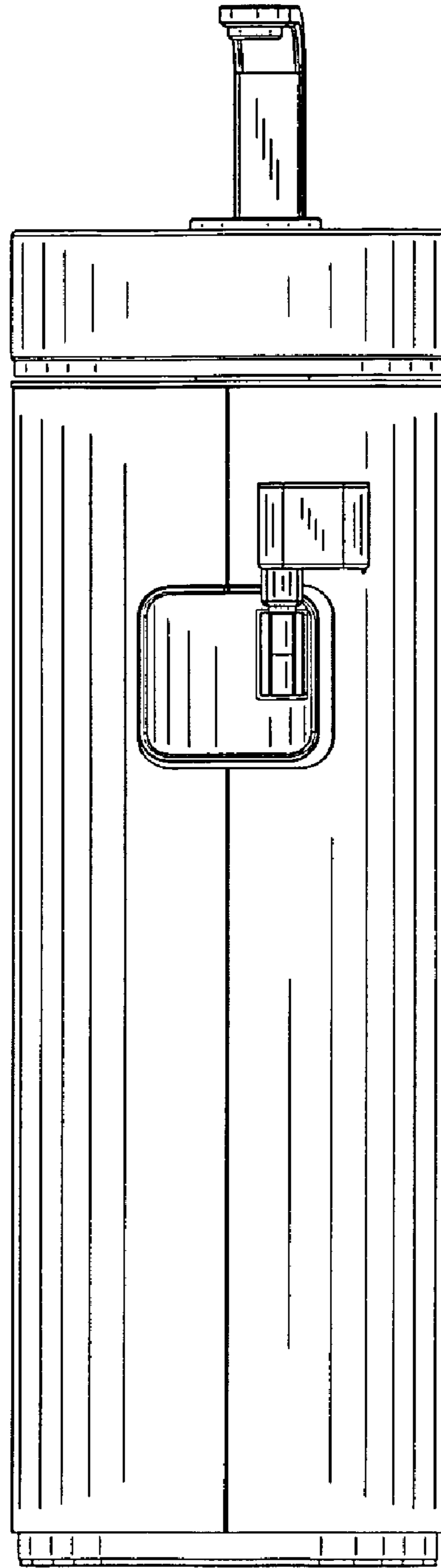


FIG. 4

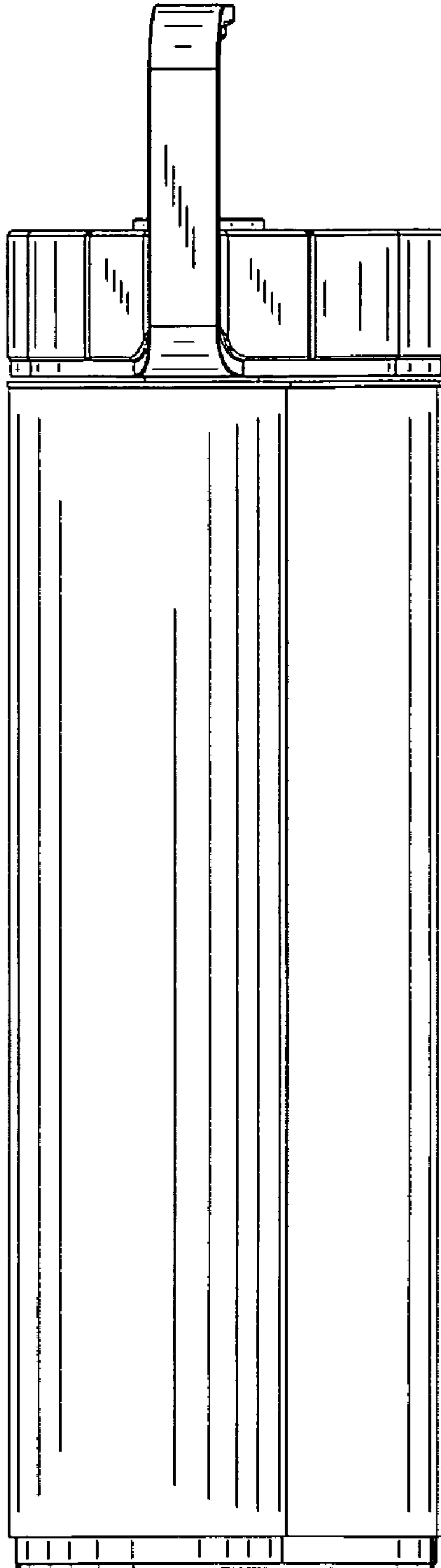


FIG. 5

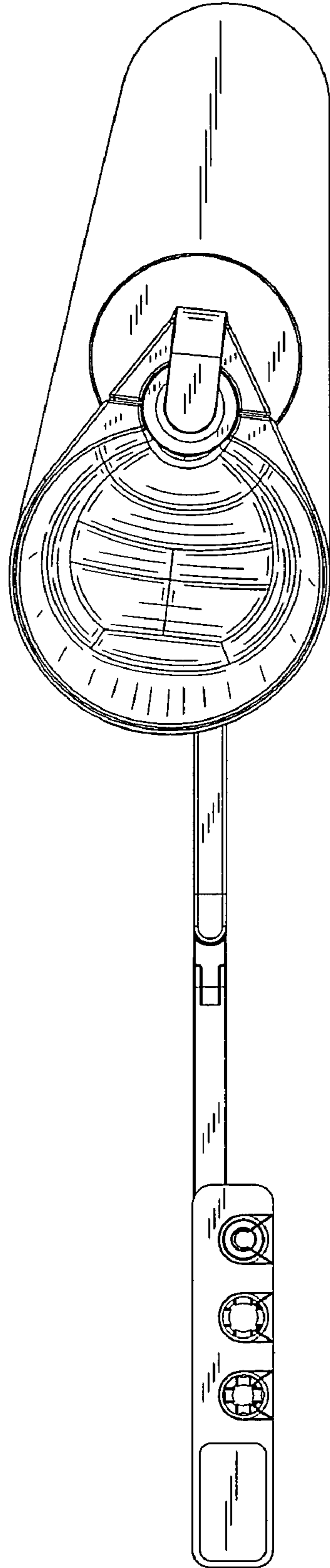


FIG. 6

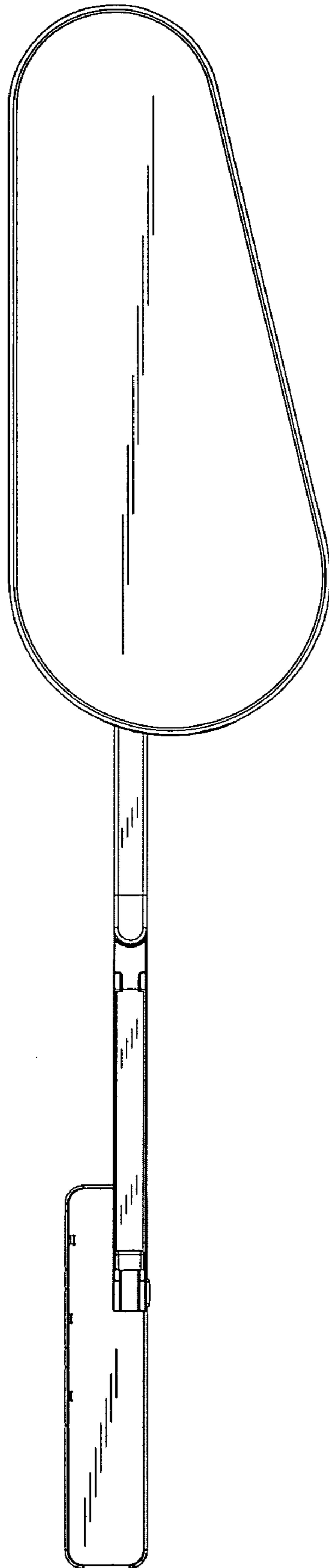


FIG. 7



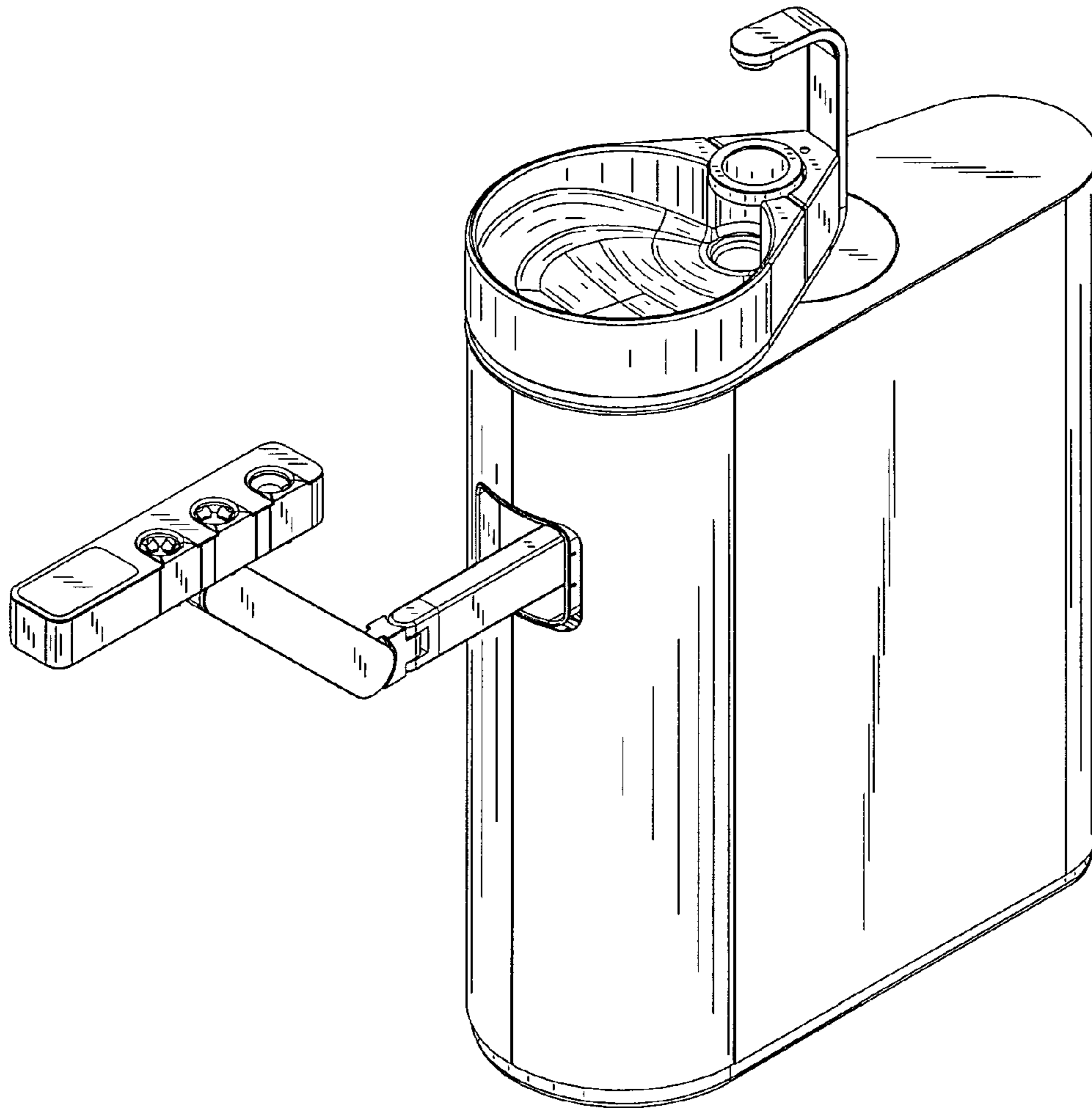


FIG. 8