



US00D657059S

(12) **United States Design Patent**
Geijsen et al.

(10) **Patent No.:** **US D657,059 S**

(45) **Date of Patent:** **** Apr. 3, 2012**

(54) **PORTABLE ECOGRAPHY MACHINE**

(74) *Attorney, Agent, or Firm* — Themis Law

(75) Inventors: **Joop Geijsen**, Maastricht (NL); **John Willems**, Maastricht (NL)

(57) **CLAIM**
The ornamental design for a portable ecography machine, as shown and described.

(73) Assignee: **Esaote Europe B.V.**, Maastricht (NL)

(**) Term: **14 Years**

DESCRIPTION

(21) Appl. No.: **29/351,373**

FIG. 1 is a front and right side perspective view of a portable ecography machine showing our new design;
FIG. 2 is a right side view of the portable ecography machine shown in FIG. 1;

(22) Filed: **Dec. 4, 2009**

(30) **Foreign Application Priority Data**

FIG. 3 is a front and right side perspective view of the portable ecography machine shown in FIG. 1 in a first condition of use;
FIG. 4 is a rear and right side perspective view of the portable ecography machine shown in FIG. 1 in a first condition of use;
FIG. 5 is a rear and right side perspective view of the portable ecography machine shown in FIG. 1 in a second condition of use;

Jun. 5, 2009 (EM) 001537473-0001

Jun. 5, 2009 (EM) 001537473-0003

(51) **LOC (9) Cl.** **24-01**

(52) **U.S. Cl.** **D24/160**

(58) **Field of Classification Search** D24/158–161,
D24/186; 378/4, 15, 17, 20, 21, 23–27, 146,
378/437, 440, 443; 128/915, 916

See application file for complete search history.

FIG. 6 is a front and left side perspective view of the portable ecography machine shown in FIG. 1 in a third condition of use;

(56) **References Cited**

FIG. 7 is a front and left side perspective view of the portable ecography machine shown in FIG. 1 in a fourth condition of use;

U.S. PATENT DOCUMENTS

6,447,451 B1 * 9/2002 Wing et al. 600/437

D472,635 S * 4/2003 Stringer et al. D24/160

D492,997 S * 7/2004 DiStasio D24/158

D550,366 S * 9/2007 Zhou D24/186

D558,350 S * 12/2007 Kitayama D24/186

D558,351 S * 12/2007 Diener et al. D24/186

D559,390 S * 1/2008 Diener et al. D24/186

D562,456 S * 2/2008 Scruggs et al. D24/160

D566,846 S * 4/2008 Kitayama D24/186

D626,235 S * 10/2010 Smith et al. D24/158

2010/0004535 A1 * 1/2010 Song et al. 600/437

FIG. 8 is a top, front and right side perspective view of the portable ecography machine shown in FIG. 1 in a fifth condition of use;

* cited by examiner

FIG. 9 is a right side view of the portable ecography machine shown in FIG. 1 in a sixth condition of use;

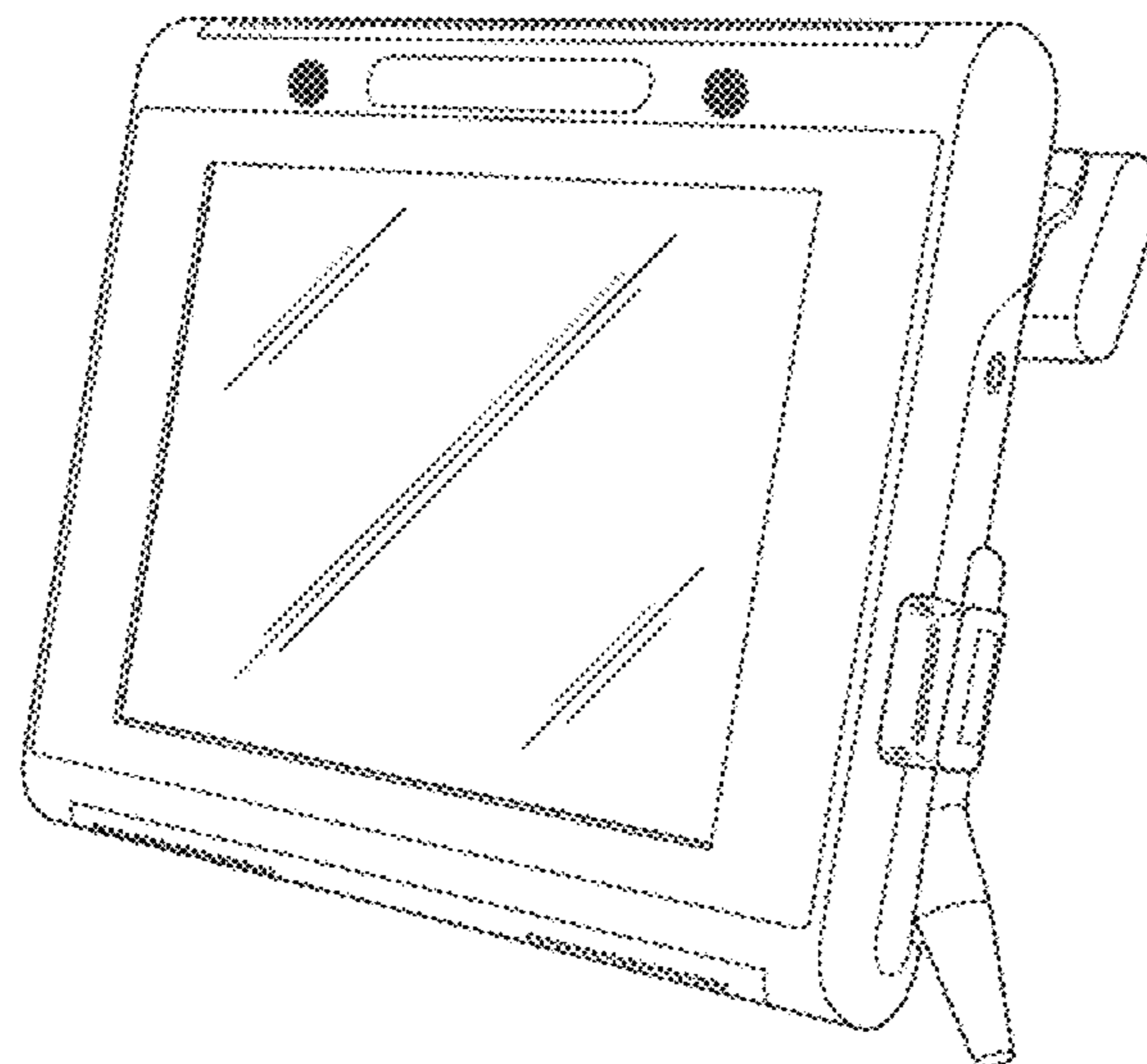
FIG. 10 is a front and left side perspective view of the portable ecography machine shown in FIG. 1 in a sixth condition of use; and,

FIG. 11 is a right side view of the portable ecography machine shown in FIG. 1 in a seventh condition of use.

The portions of the figures in dashed lines illustrate environments of use and form no part of the claimed design.

Primary Examiner — Anhdao Doan

1 Claim, 10 Drawing Sheets



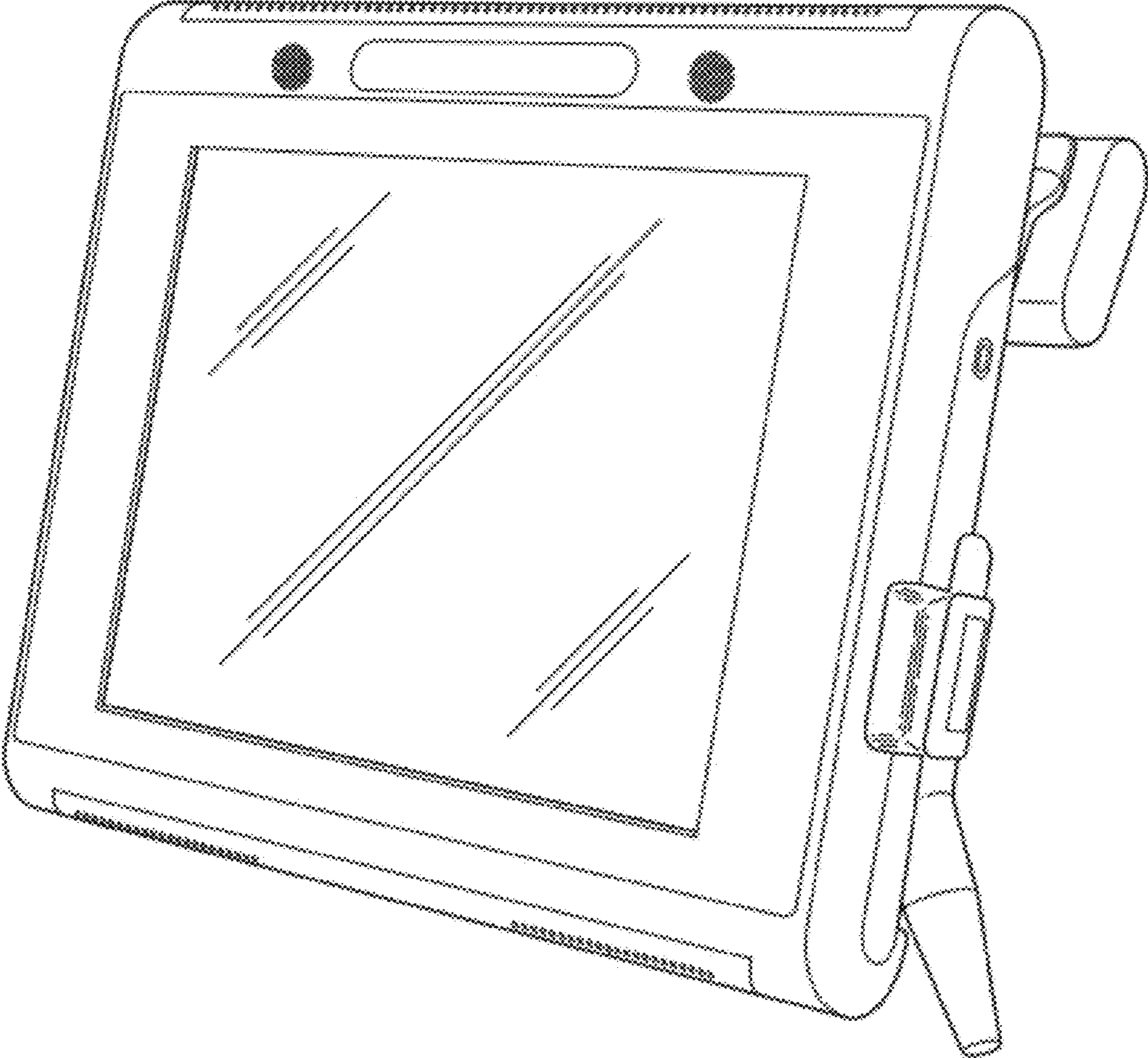


FIG. 1

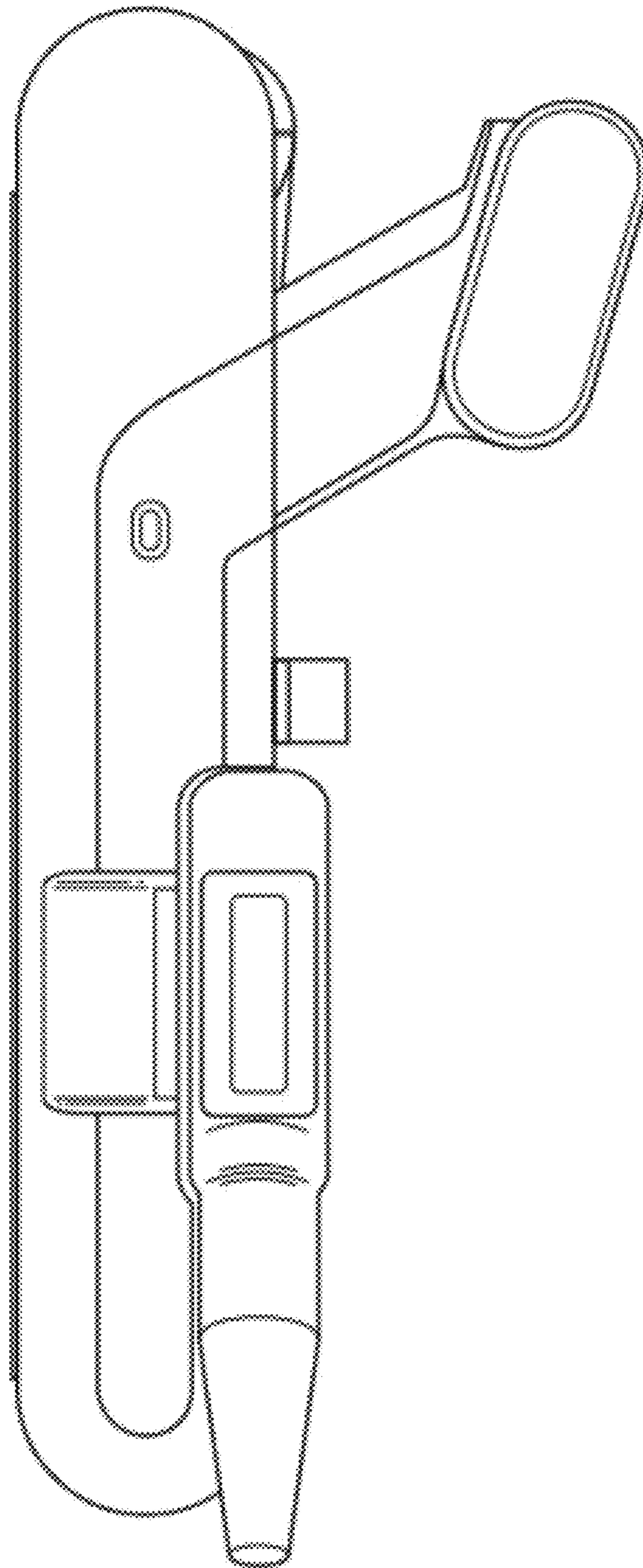


FIG. 2

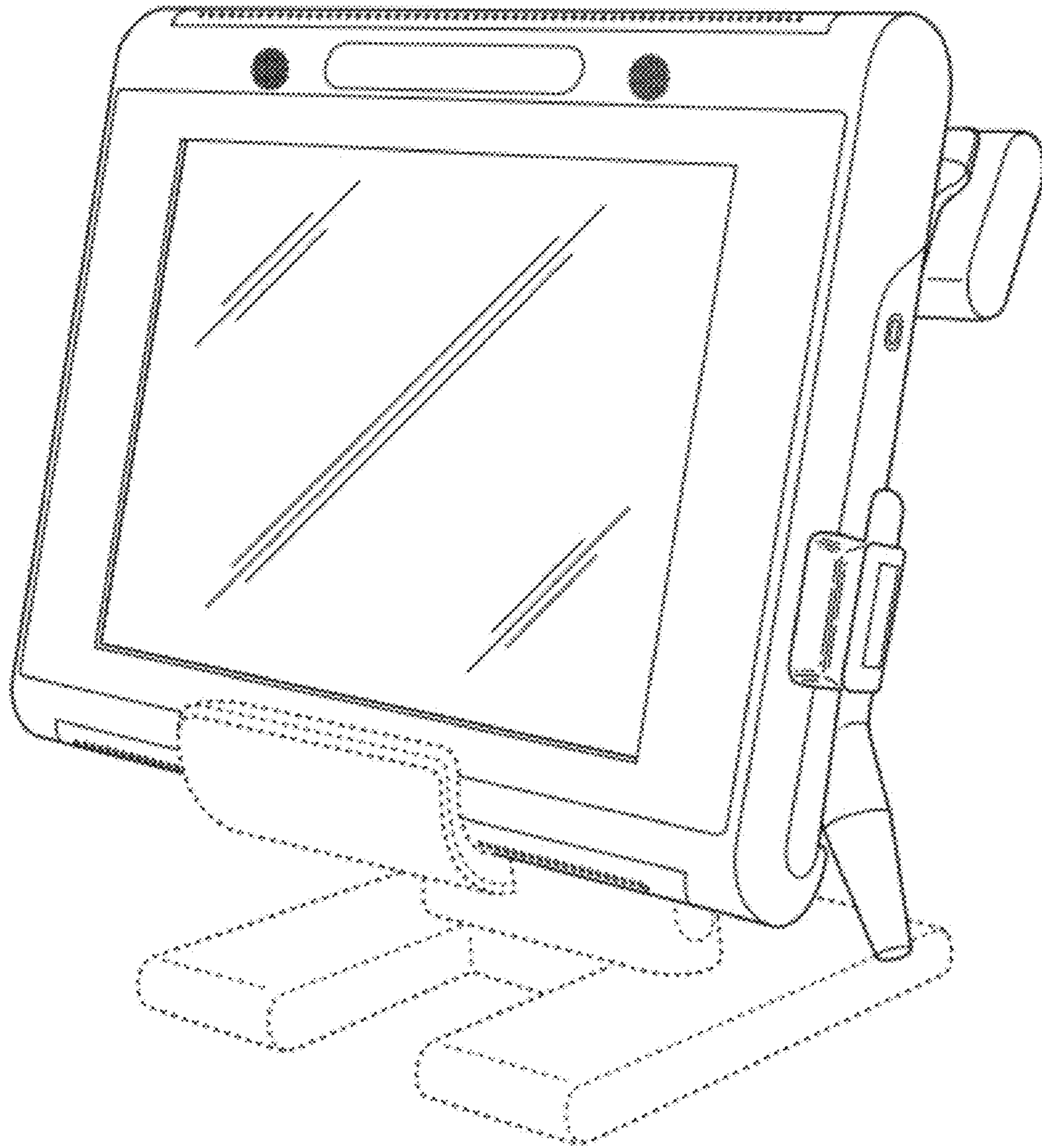


FIG. 3

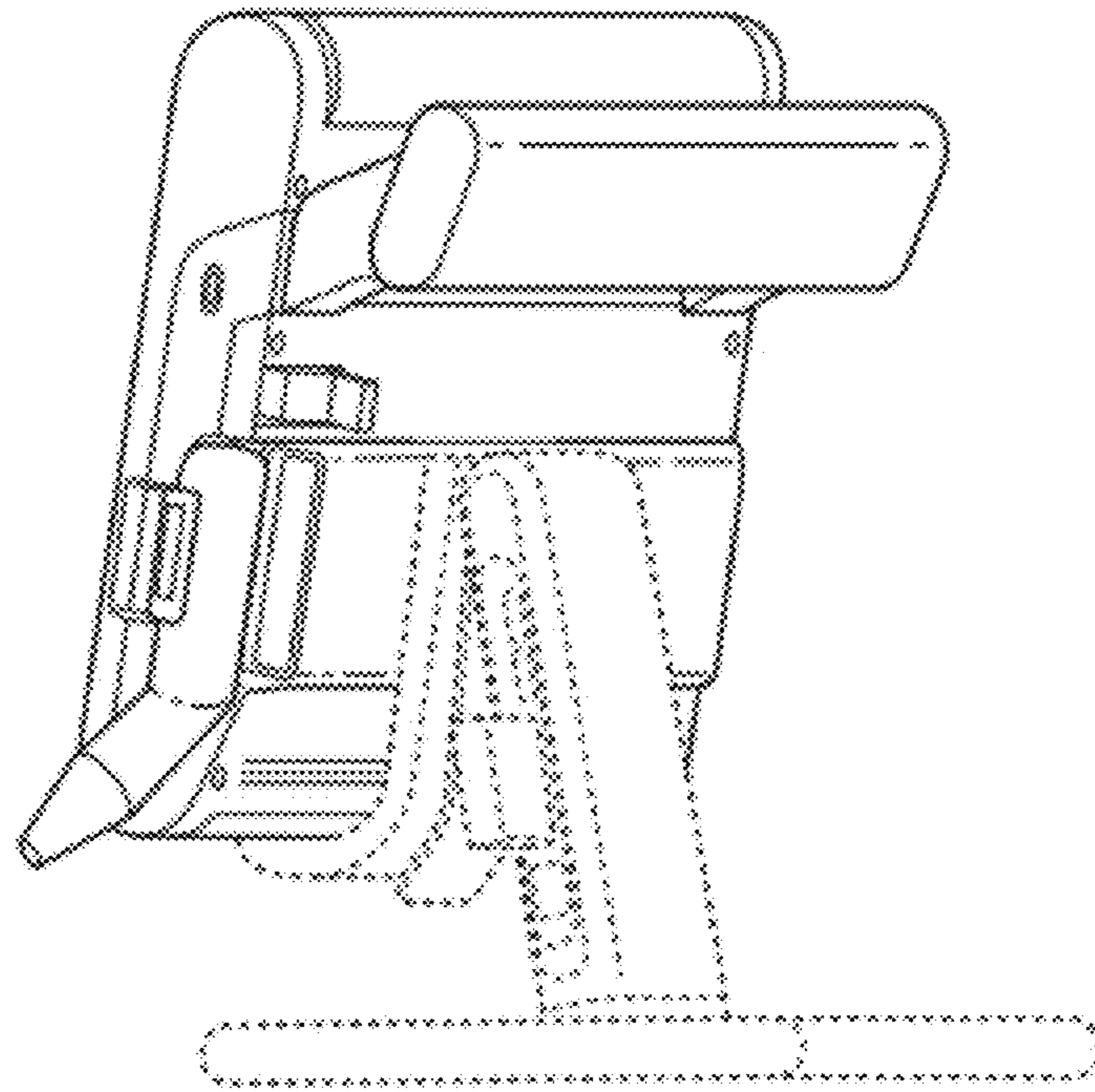


FIG. 4

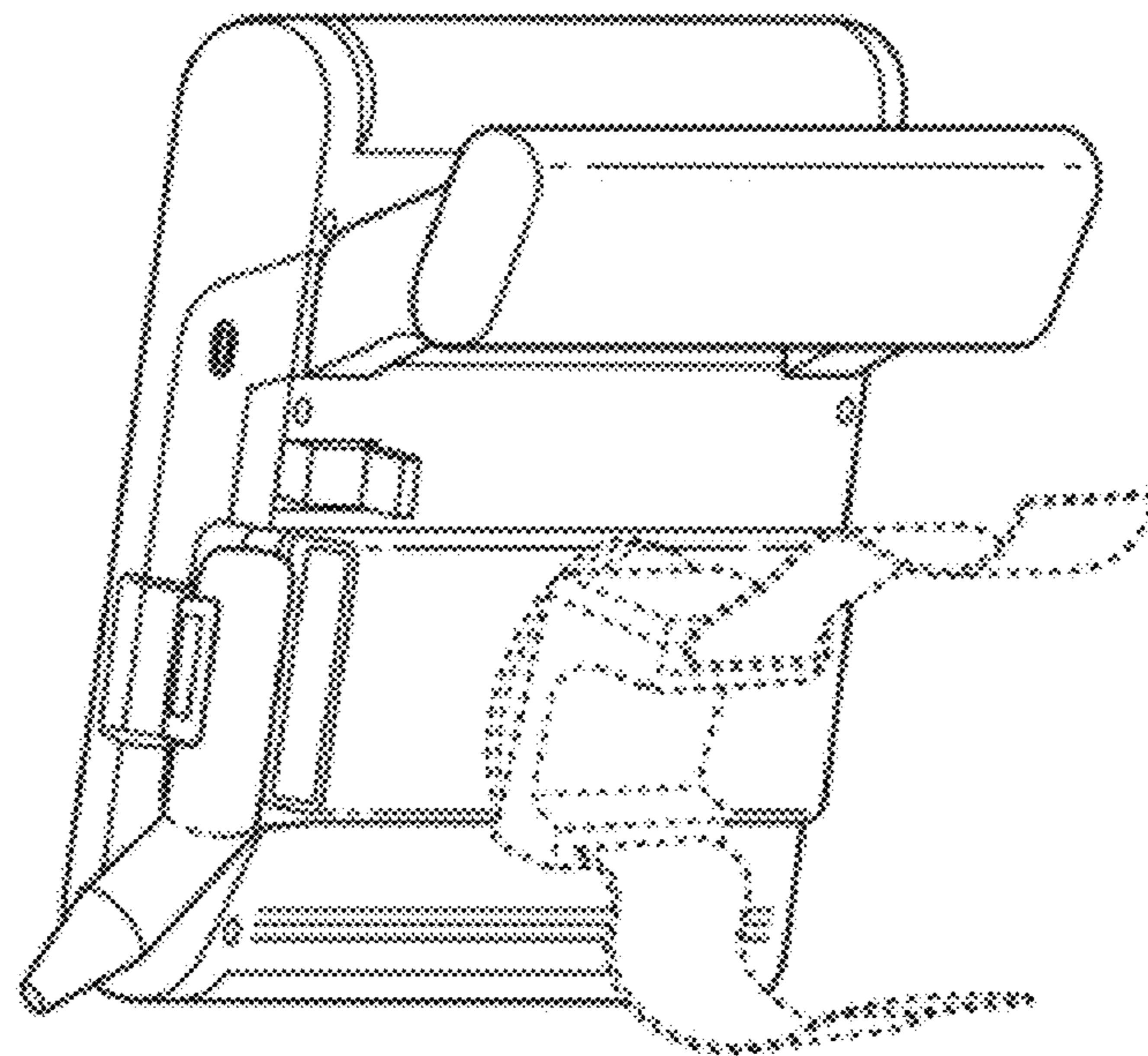


FIG. 5

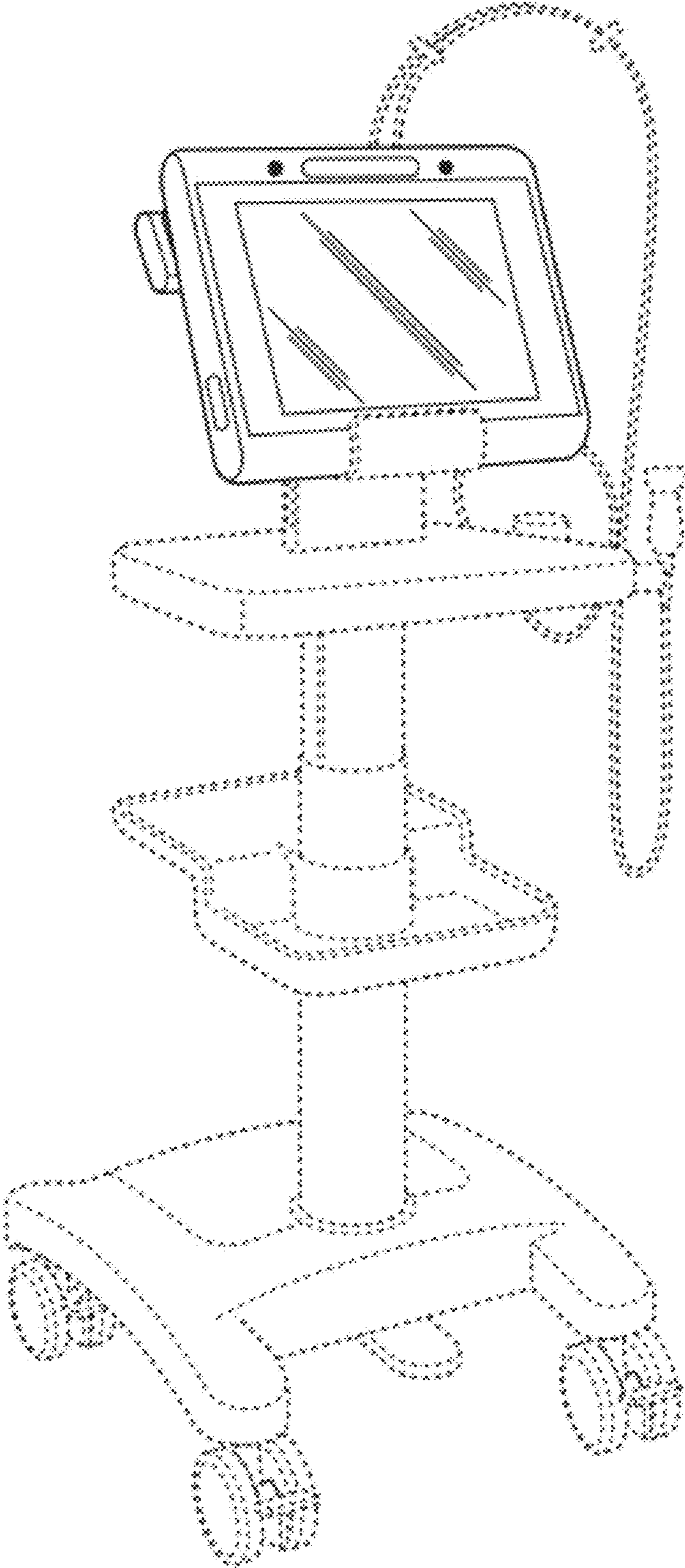


FIG. 6

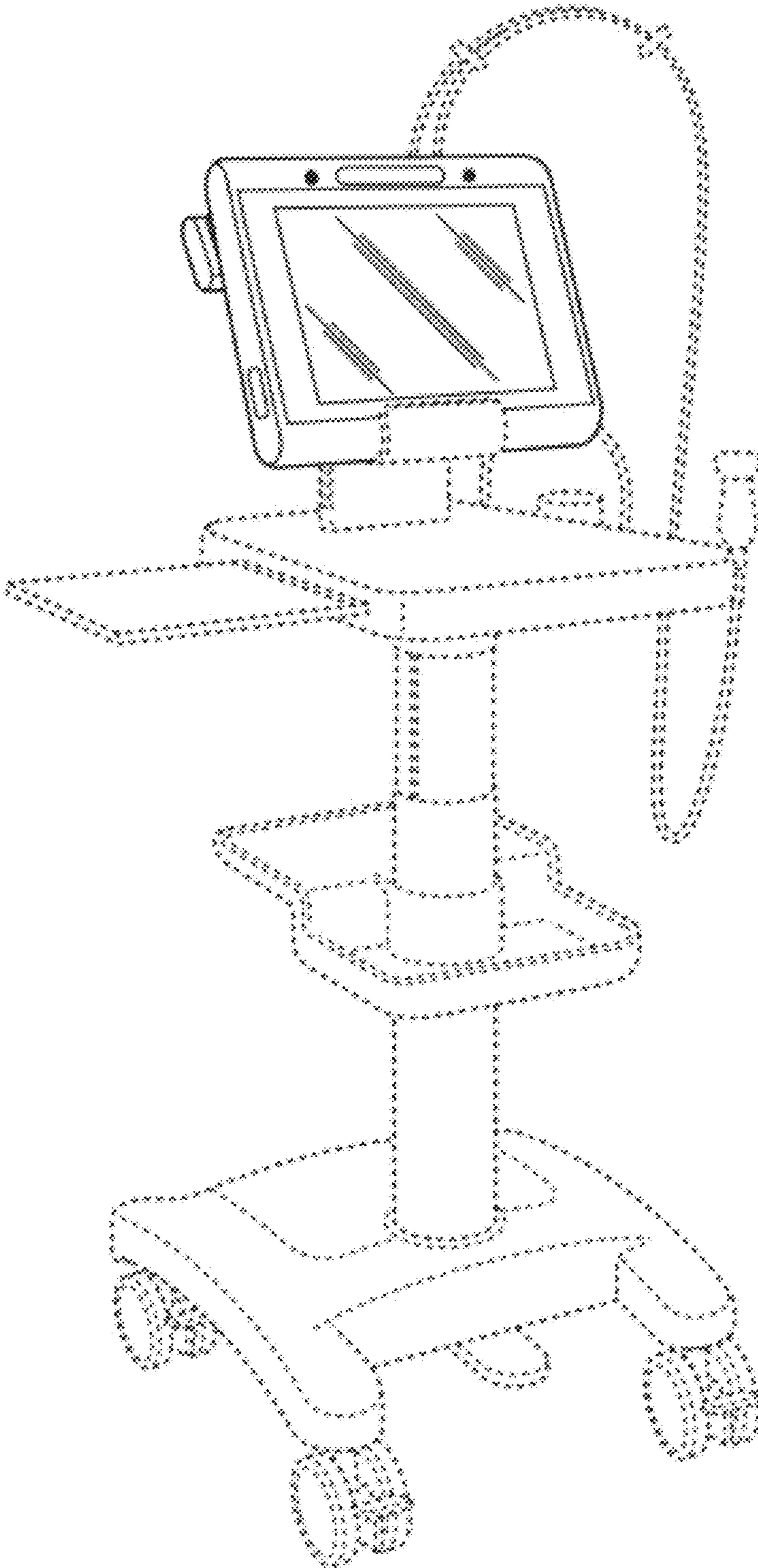


FIG. 7

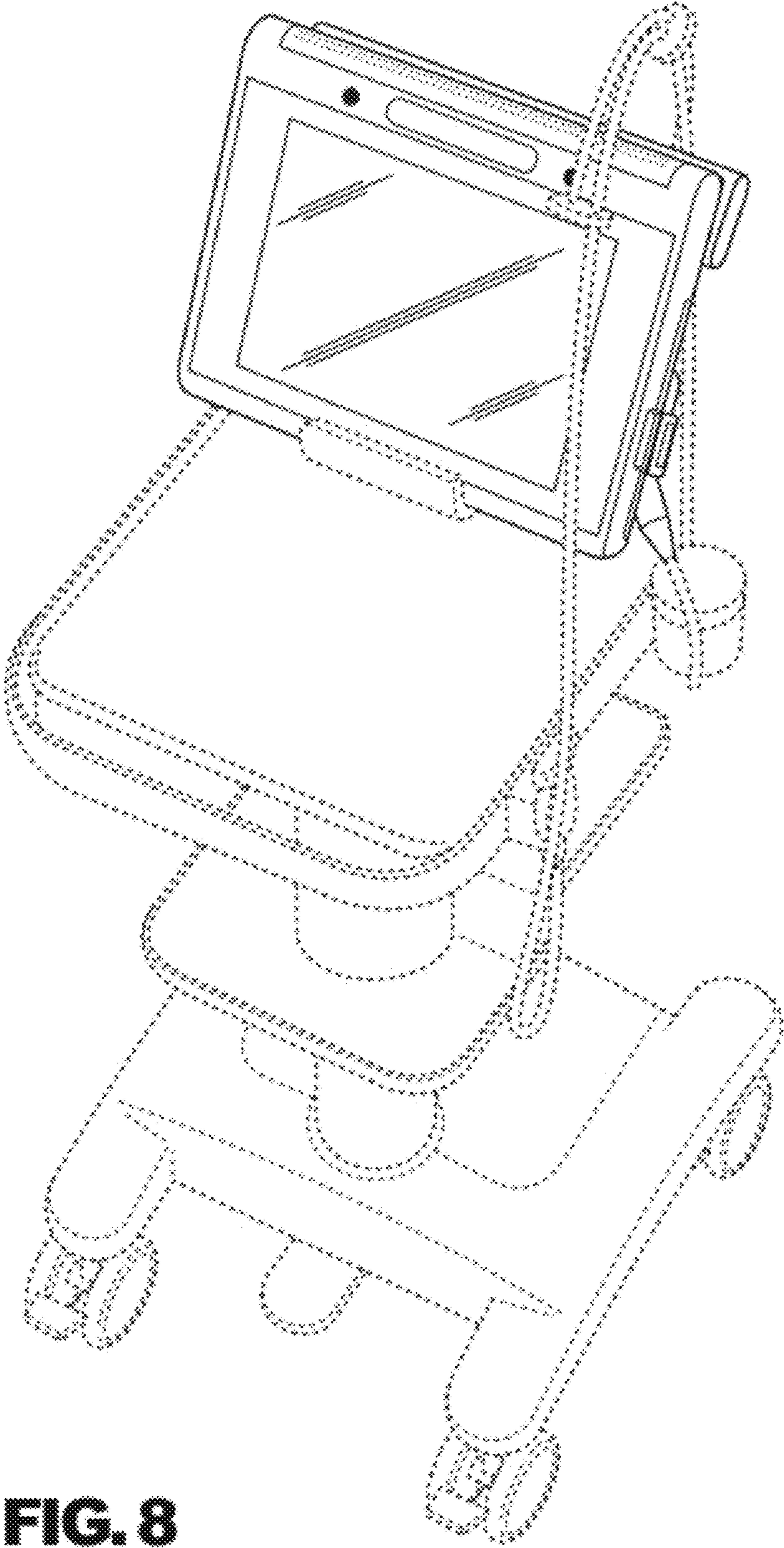


FIG. 8

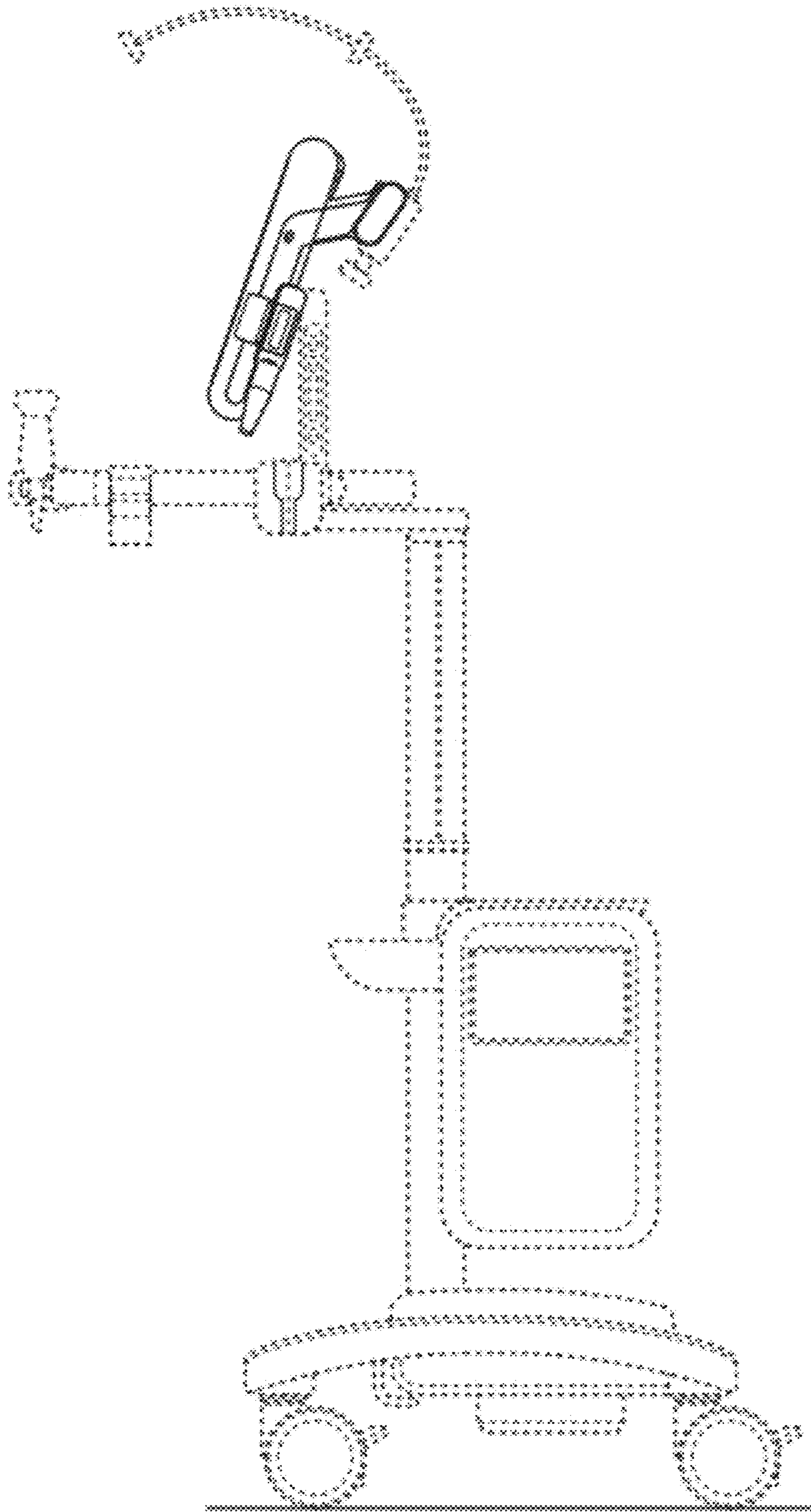


FIG. 9

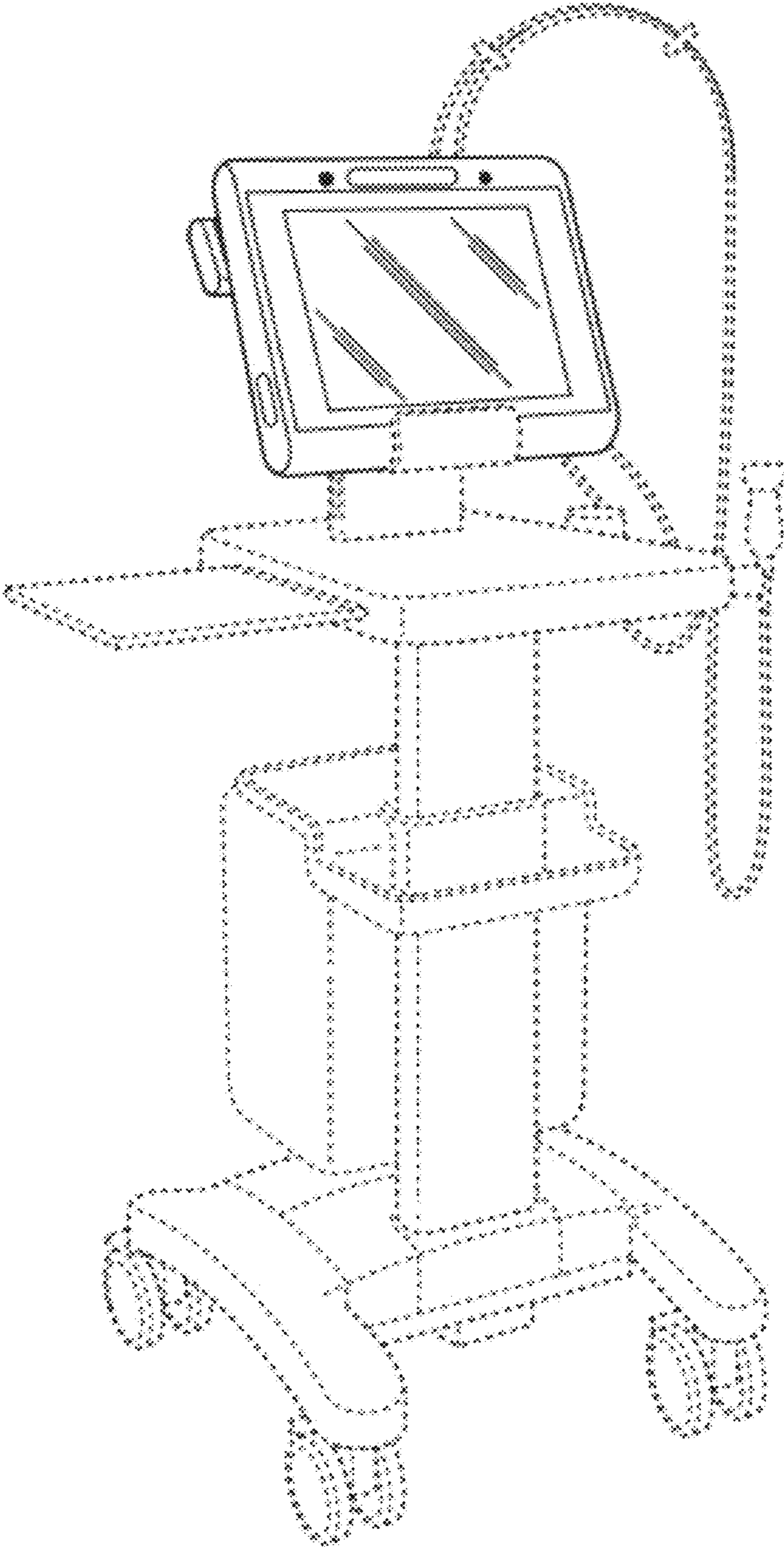


FIG. 10

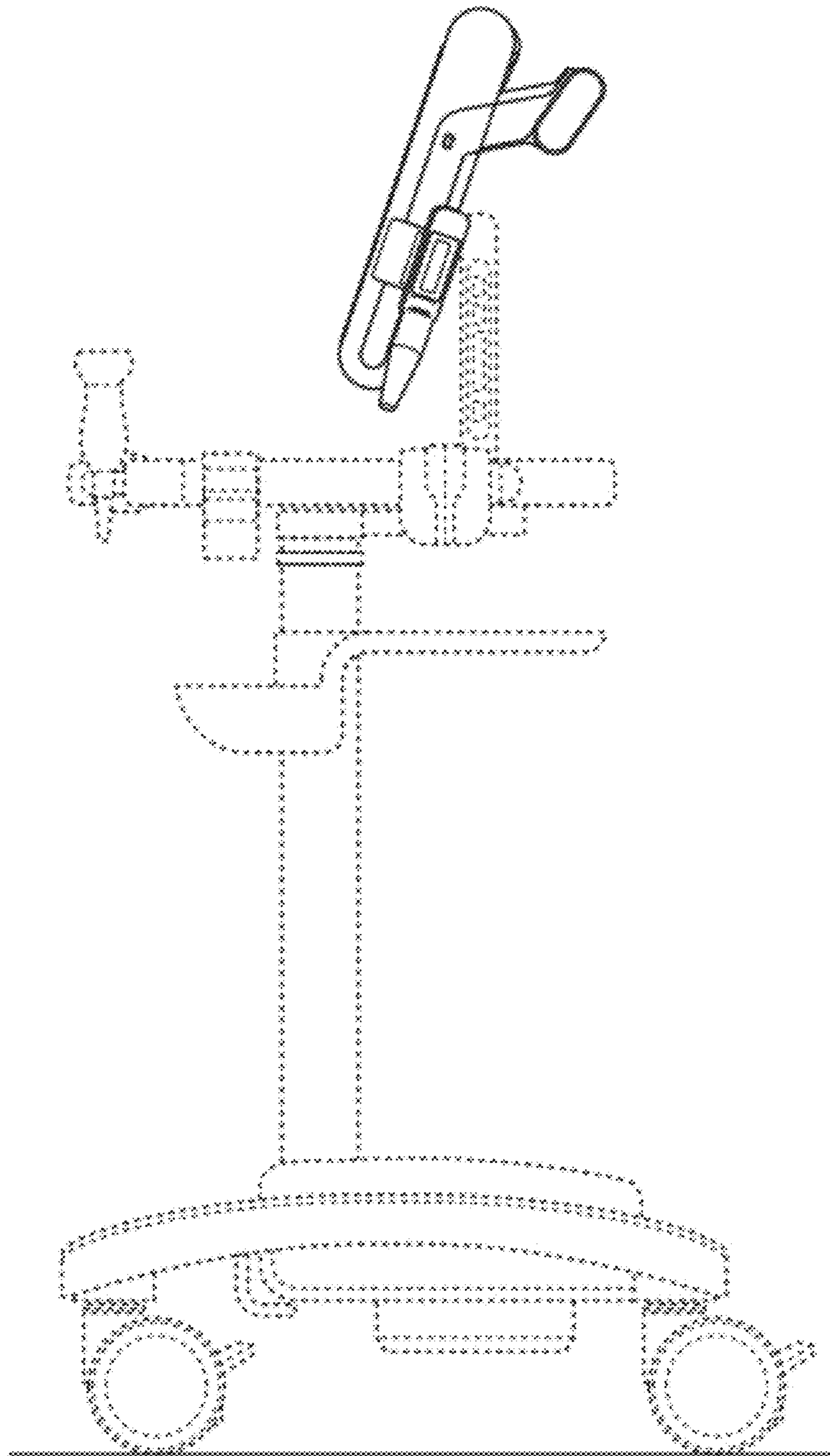


FIG. 11