

US00D657057S

(12) **United States Design Patent**  
**Kearsley**

(10) **Patent No.:** **US D657,057 S**

(45) **Date of Patent:** **\*\* \*Apr. 3, 2012**

(54) **MEDICAL LIGHT**

(75) Inventor: **Paul Kearsley**, Littlehampton (GB)

(73) Assignee: **Bridgemaster Medical Limited**,  
Abingdon, Oxon (GB)

(\*) Notice: This patent is subject to a terminal disclaimer.

(\*\*) Term: **14 Years**

(21) Appl. No.: **29/392,379**

(22) Filed: **May 20, 2011**

**Related U.S. Application Data**

(63) Continuation of application No. 29/379,806, filed on Nov. 24, 2010.

(30) **Foreign Application Priority Data**

May 28, 2010 (EP) ..... 001218085-0001

(51) **LOC (9) Cl.** ..... **24-02**

(52) **U.S. Cl.** ..... **D24/133**

(58) **Field of Classification Search** ..... D24/133,  
D24/136, 137, 138, 139, 140, 150, 151, 152,  
D24/156, 157; D26/37, 38, 46, 48, 50; 600/249;  
362/157, 158, 171-174, 183-208

See application file for complete search history.

(56) **References Cited**

U.S. PATENT DOCUMENTS

D245,515	S	*	8/1977	Troutner et al.	.....	D24/135
D422,081	S	*	3/2000	Wolff	.....	D24/136
D524,940	S	*	7/2006	Costa et al.	.....	D24/134
D532,514	S	*	11/2006	Schmal	.....	D24/133
D591,438	S	*	4/2009	Hama et al.	.....	D26/37
7,631,981	B2	*	12/2009	Miller et al.	.....	362/119
D634,428	S	*	3/2011	Anderson et al.	.....	D24/152
2004/0166464	A1	*	8/2004	Schneider	.....	433/29

\* cited by examiner

*Primary Examiner* — Bridget L Eland

(74) *Attorney, Agent, or Firm* — Patterson & Sheridan, LLP

(57) **CLAIM**

The ornamental design for a medical light, as shown and described.

**DESCRIPTION**

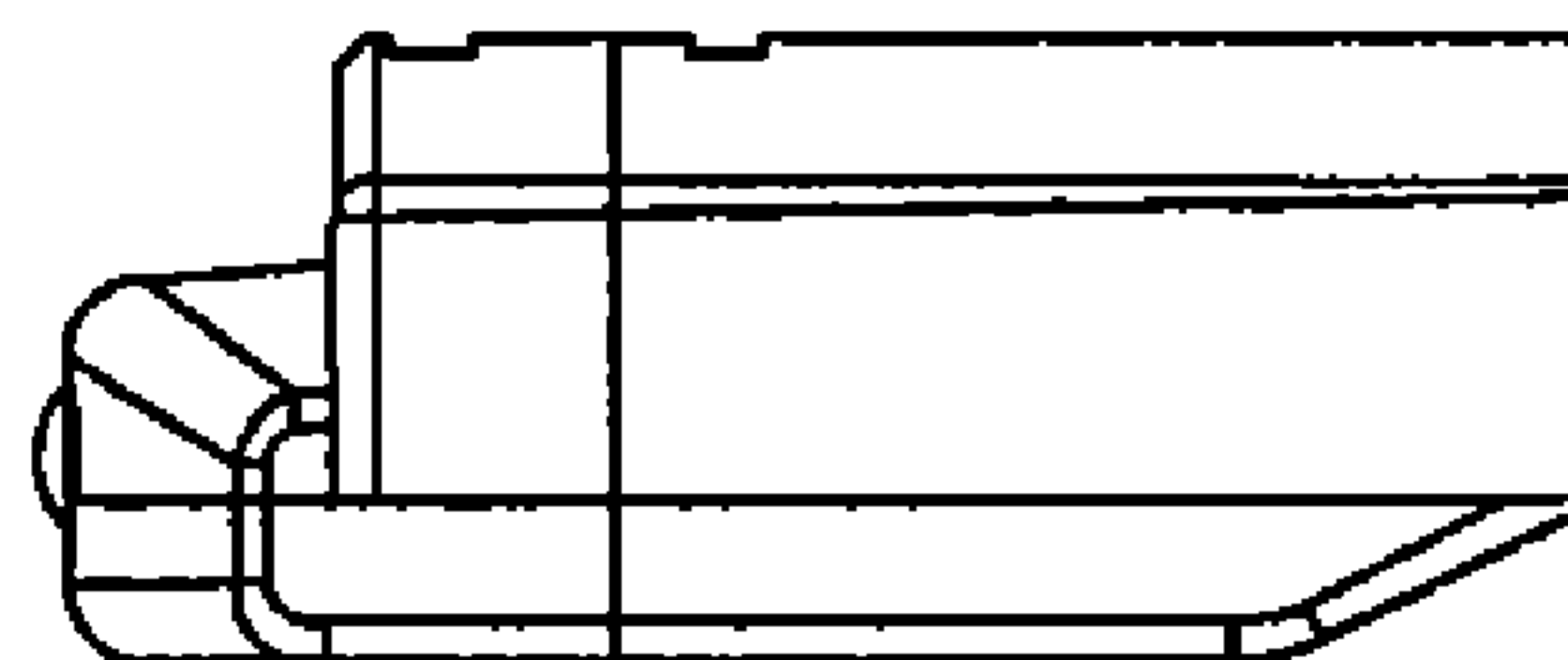
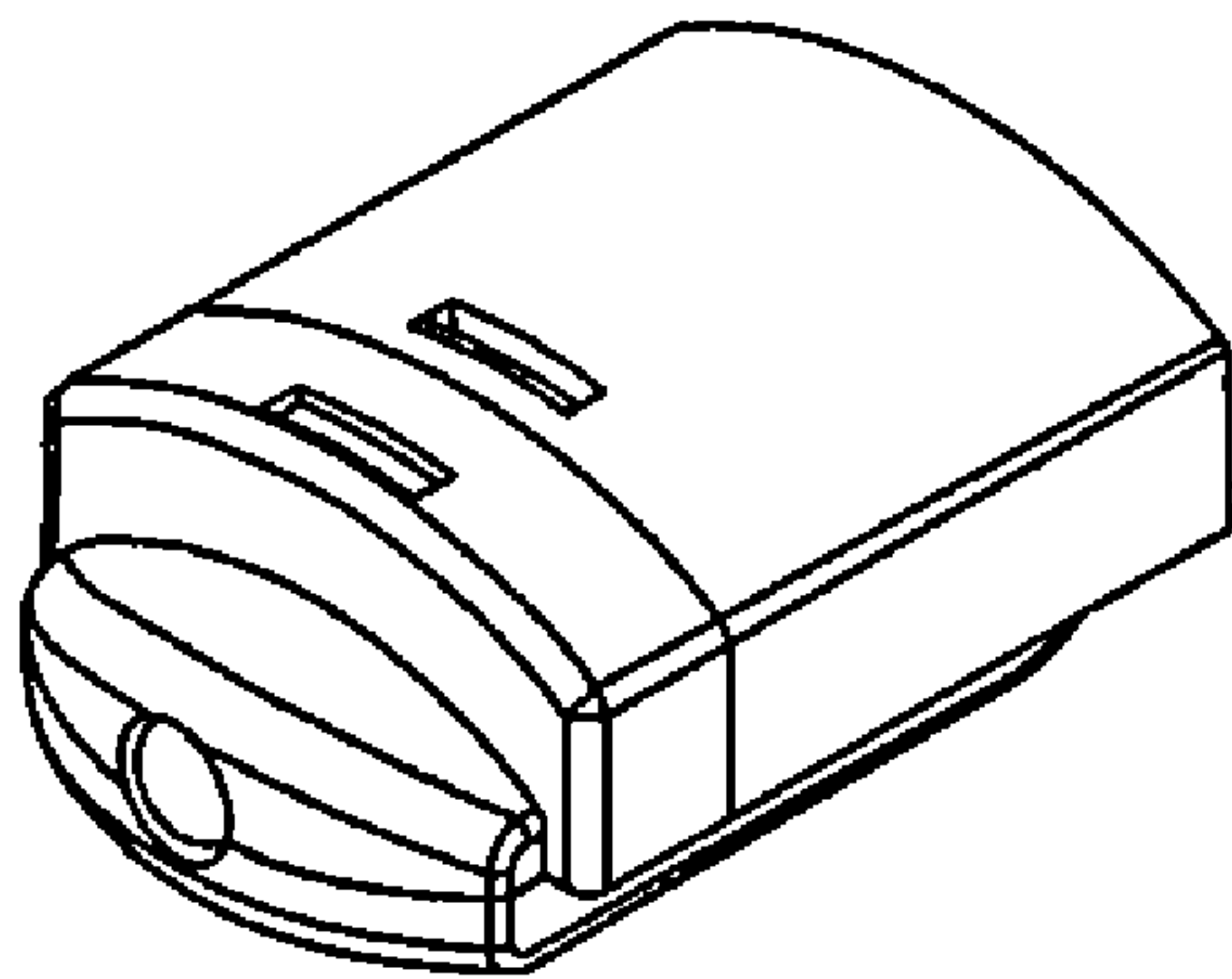
FIG. 1 is a top view of a medical light showing my new design;

FIG. 2 is a perspective view thereof;

FIG. 3 is a front view thereof; and,

FIG. 4 is a side view thereof, the opposite side being identical.

**1 Claim, 1 Drawing Sheet**



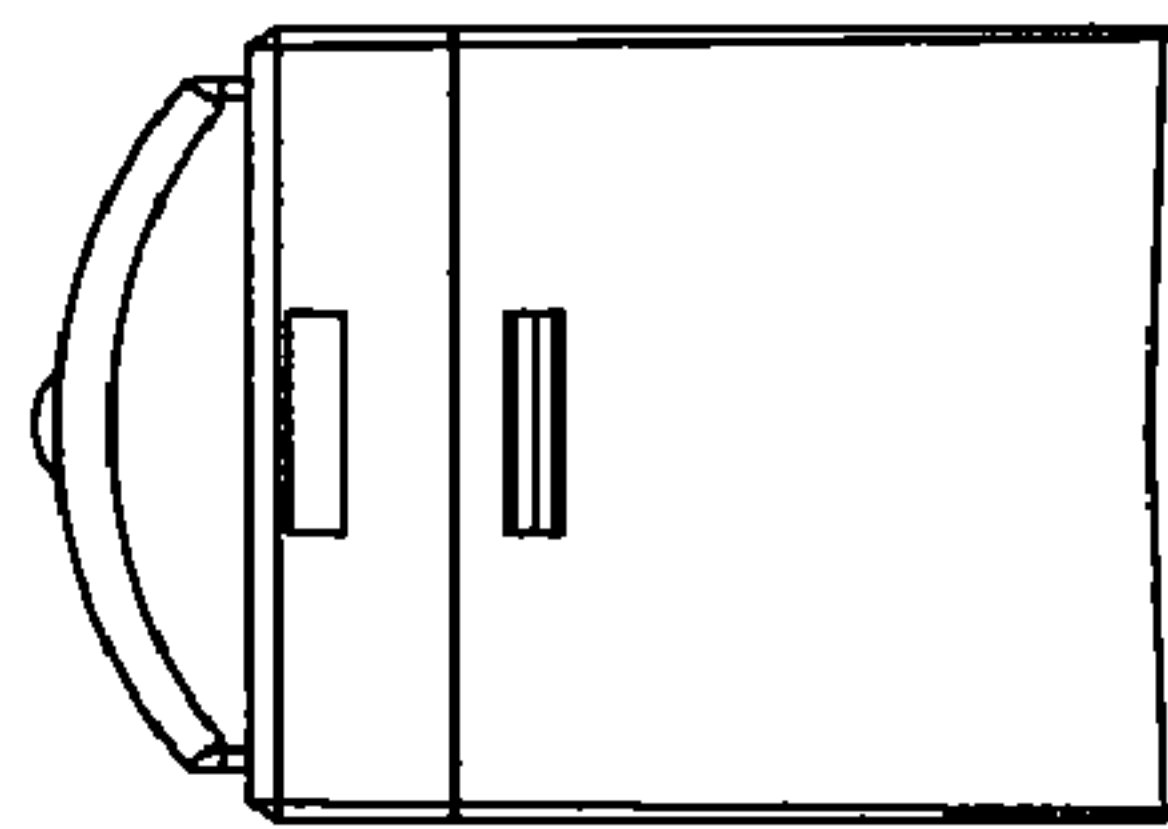


FIG. 1

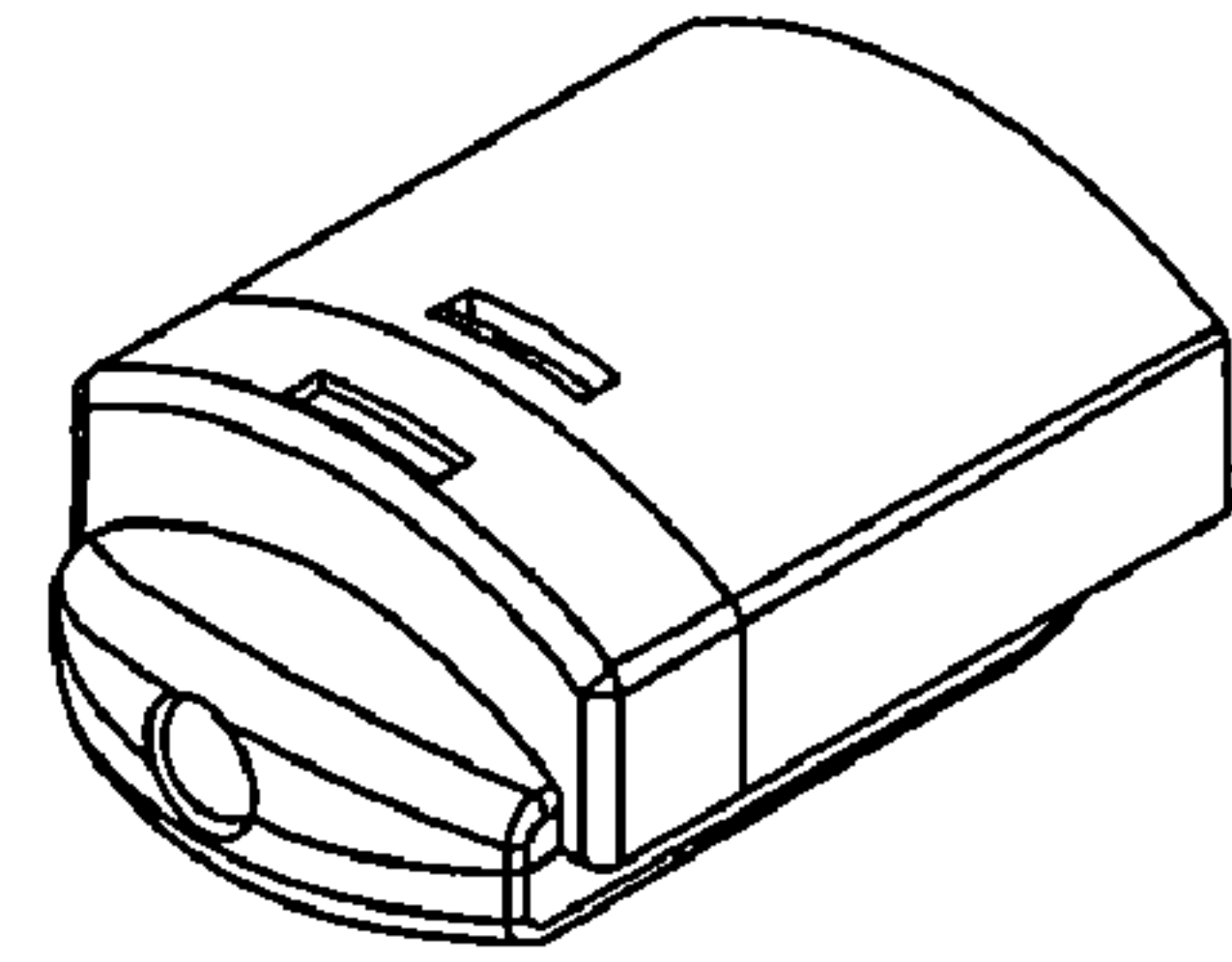


FIG. 2

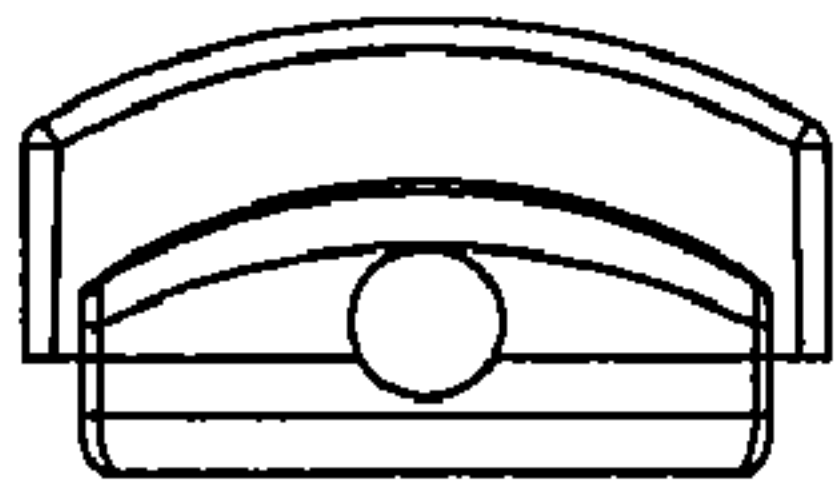


FIG. 3

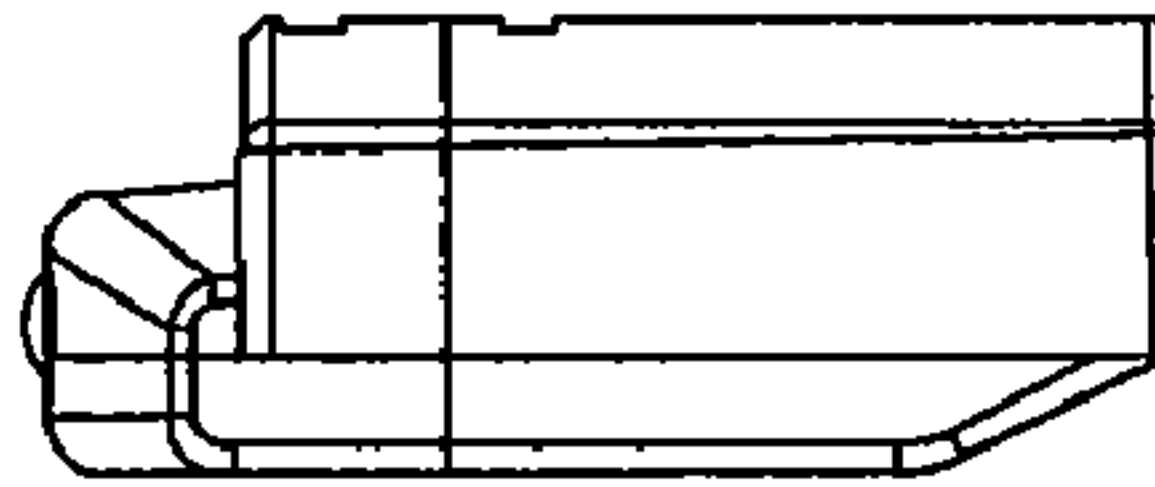


FIG. 4