



US00D657055S

(12) **United States Design Patent**
Damber

(10) **Patent No.:** **US D657,055 S**

(45) **Date of Patent:** **** Apr. 3, 2012**

(54) **APPARATUS AND EQUIPMENT FOR DOCTORS, HOSPITALS AND LABORATORIES**

(76) Inventor: **Nina Damber**, Uppsala (SE)

(**) Term: **14 Years**

(21) Appl. No.: **29/399,931**

(22) Filed: **Aug. 20, 2011**

(30) **Foreign Application Priority Data**

Feb. 22, 2011 (EM) 001824848-0002

(51) **LOC (9) Cl.** **24-02**

(52) **U.S. Cl.** **D24/128**

(58) **Field of Classification Search** D24/128,
D24/233; 24/5; 248/309.1, 314; 312/209;
433/77, 78, 91, 116; 604/263

See application file for complete search history.

(56) **References Cited**

U.S. PATENT DOCUMENTS

4,921,199	A *	5/1990	Villaveces	248/314
D324,735	S *	3/1992	Collister et al.	D24/222
5,279,578	A *	1/1994	Cooke	604/192
5,915,963	A *	6/1999	Homra	433/77
6,186,461	B1 *	2/2001	Pelaez	248/314
6,905,022	B2 *	6/2005	Horrell	206/438
D541,933	S *	5/2007	White et al.	D24/128
7,377,780	B2 *	5/2008	White et al.	433/77
D576,275	S *	9/2008	White et al.	D24/128
D578,642	S *	10/2008	White et al.	D24/128
7,601,001	B1 *	10/2009	McCrary et al.	433/77

D641,466	S *	7/2011	Merboth et al.	D24/128
2003/0141209	A1 *	7/2003	Horrell	206/363
2003/0196922	A1 *	10/2003	Reaux	206/370
2004/0193120	A1 *	9/2004	Ferguson et al.	604/263
2005/0194507	A1 *	9/2005	White	248/314
2005/0205450	A1 *	9/2005	Leitch	206/438
2007/0239118	A1 *	10/2007	Ono et al.	604/263

* cited by examiner

Primary Examiner — T. Chase Nelson

Assistant Examiner — Eric Goodman

(74) *Attorney, Agent, or Firm* — Fasth Law Offices; Rolf Fasth

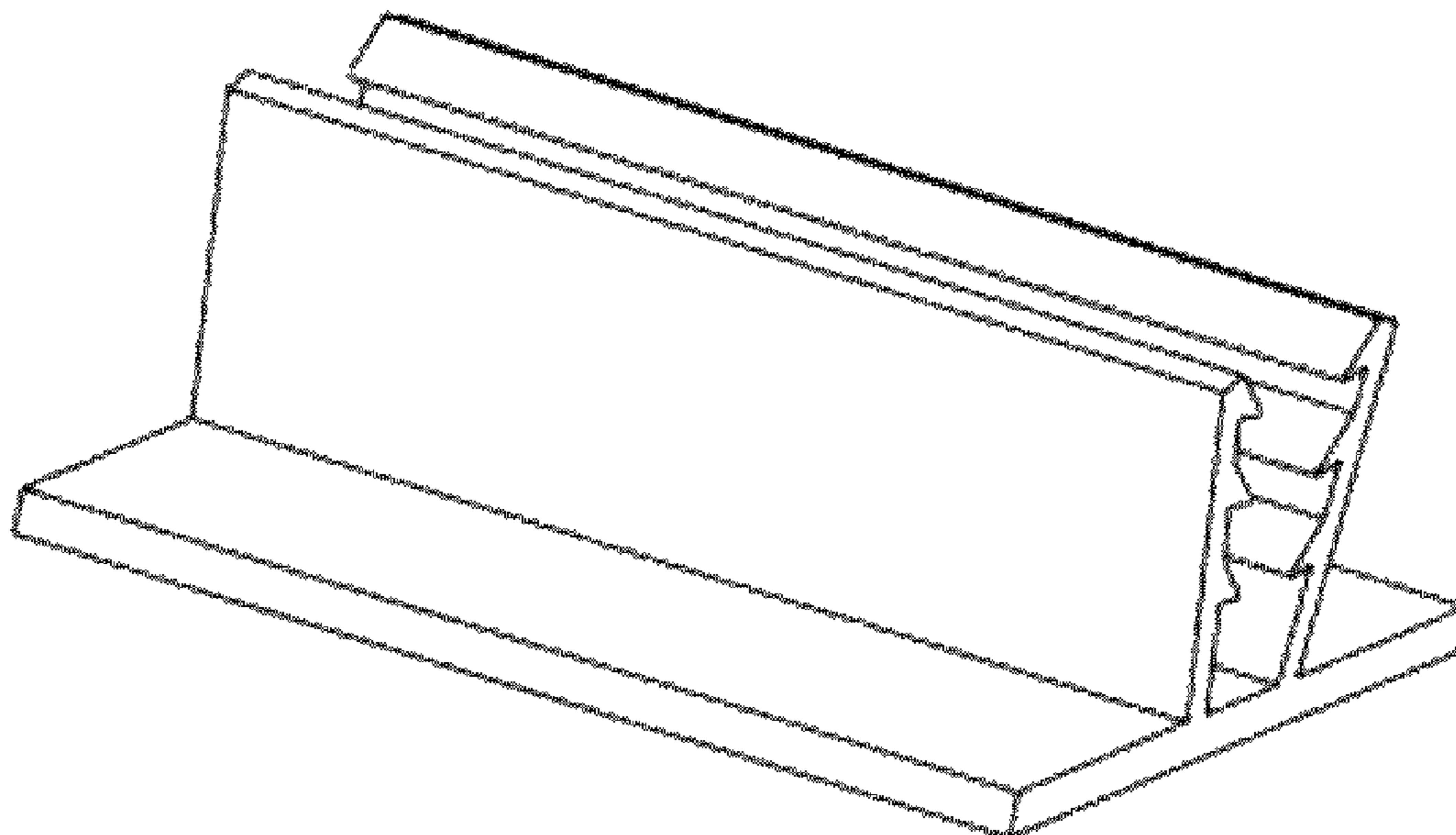
(57) **CLAIM**

The ornamental design for an apparatus and equipment for doctors, hospitals and laboratories, as shown and described.

DESCRIPTION

FIG. 1 is a perspective view of the apparatus and equipment for doctors, hospitals and laboratories shown in FIG. 1; FIG. 2 is an elevational right side view of the apparatus and equipment for doctors, hospitals and laboratories; FIG. 3 is an elevational left side view of the apparatus and equipment for doctors, hospitals and laboratories; FIG. 4 is an elevational rear view of the apparatus and equipment for doctors, hospitals and laboratories shown in FIG. 1. FIG. 5 is an elevational front view of the apparatus and equipment for doctors, hospitals and laboratories shown in FIG. 1; FIG. 6 is a top view of the apparatus and equipment for doctors, hospitals and laboratories shown in FIG. 1; and, FIG. 7 is a bottom view of the apparatus and equipment for doctors, hospitals and laboratories of the present invention.

1 Claim, 2 Drawing Sheets



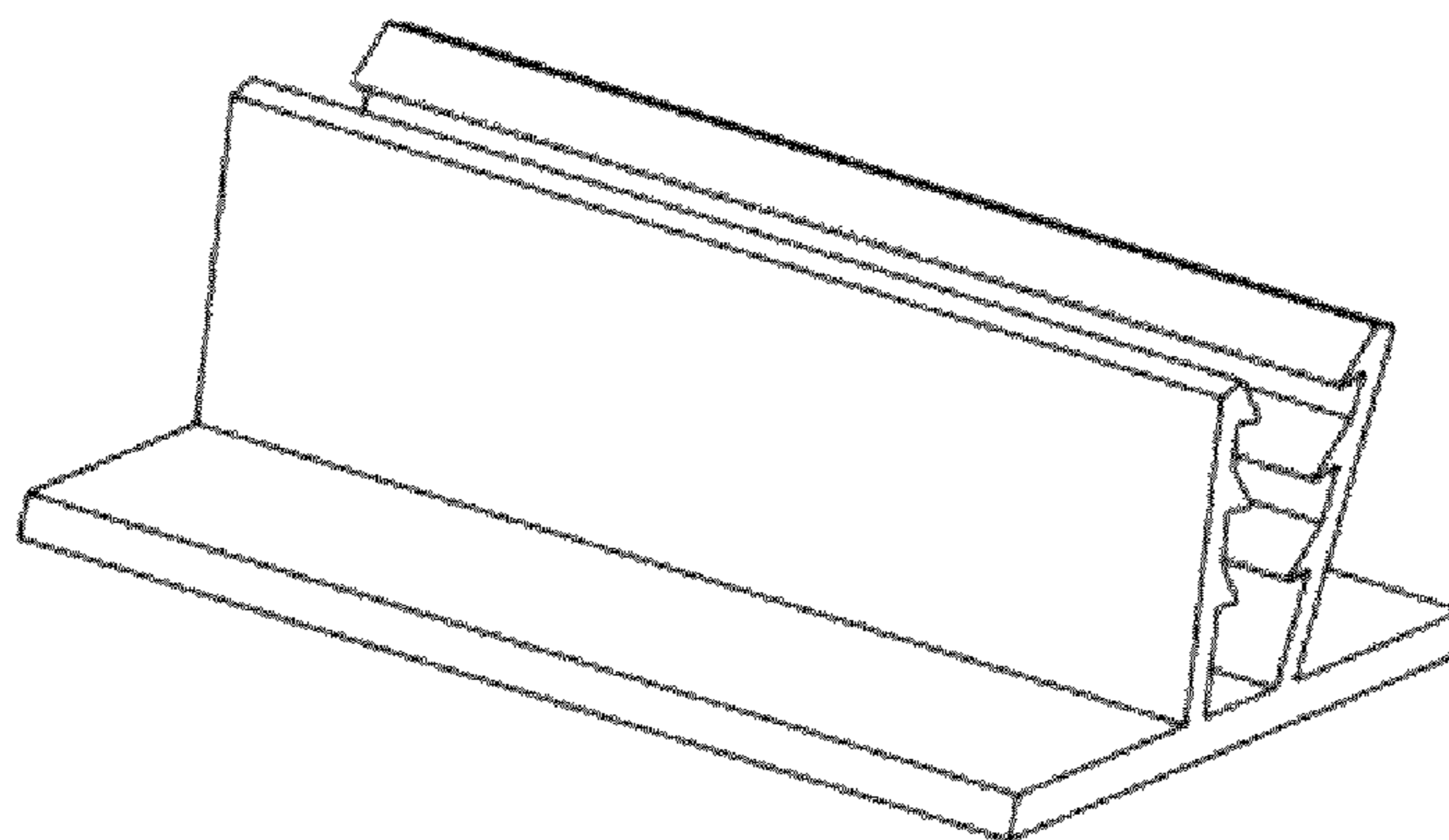


FIG. 1

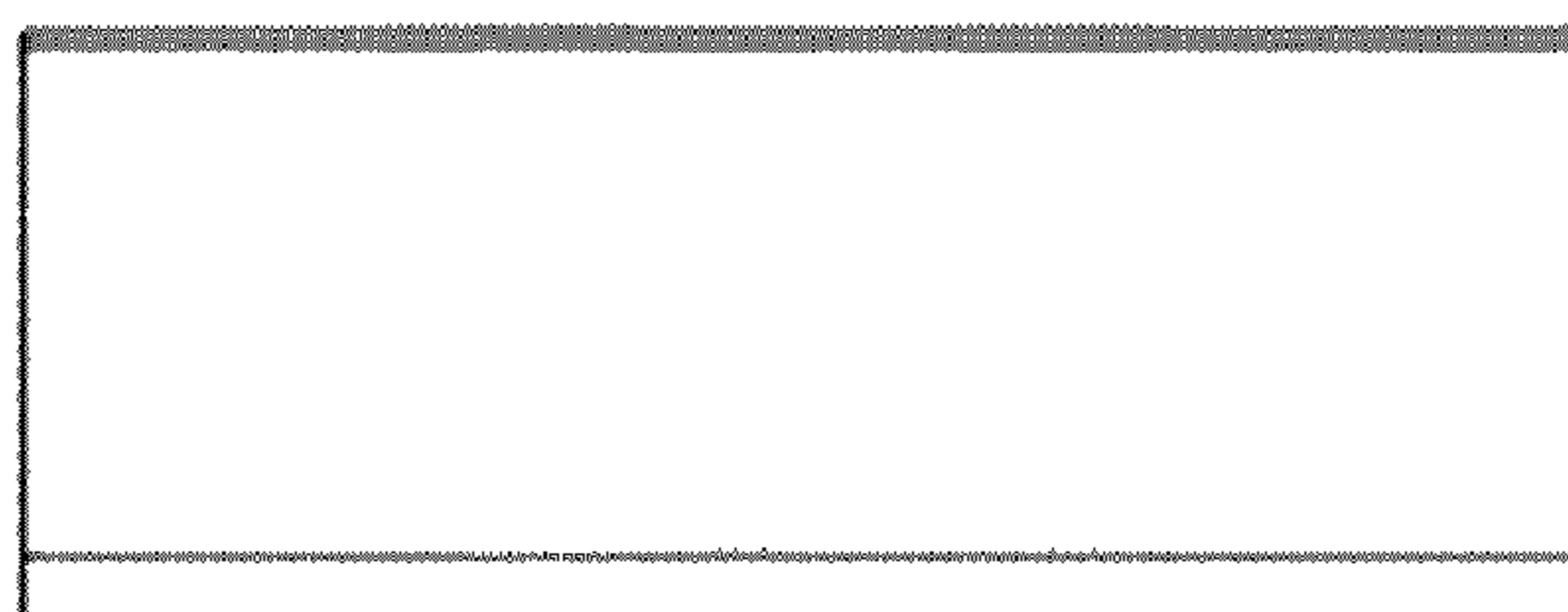


FIG. 2

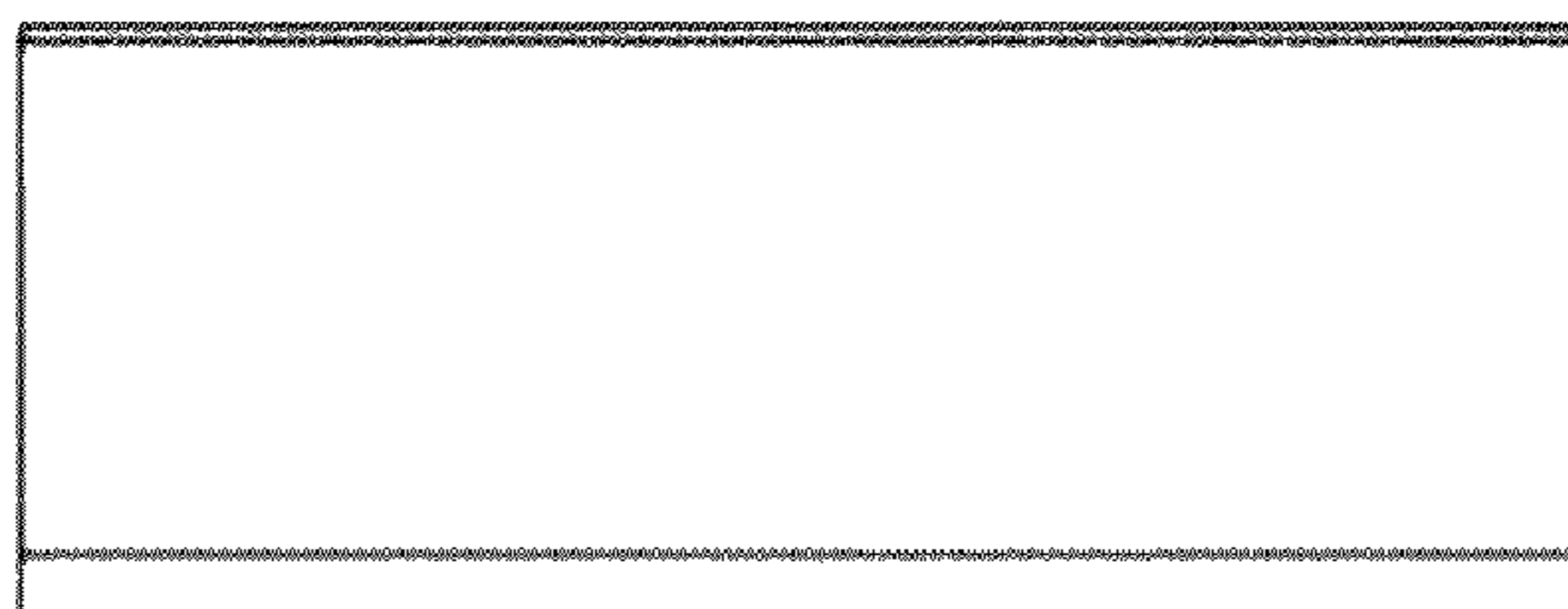


FIG. 3

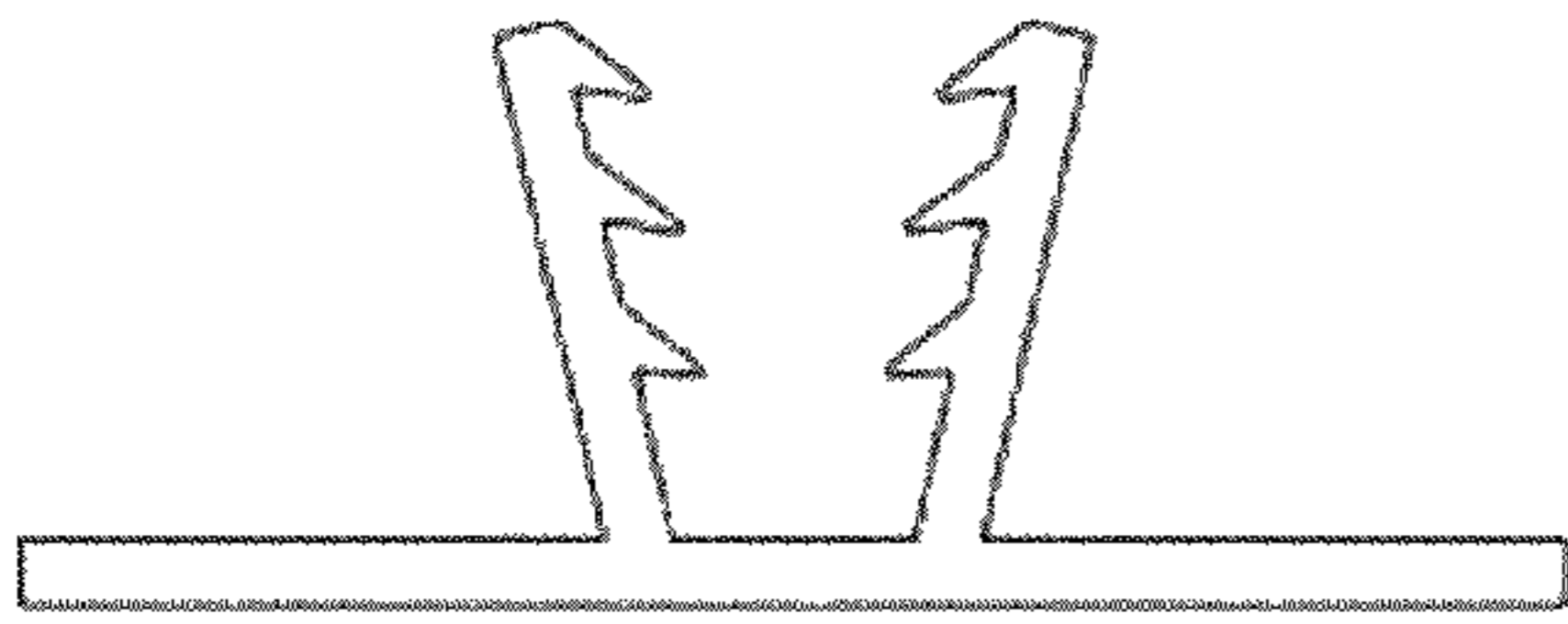


FIG. 4

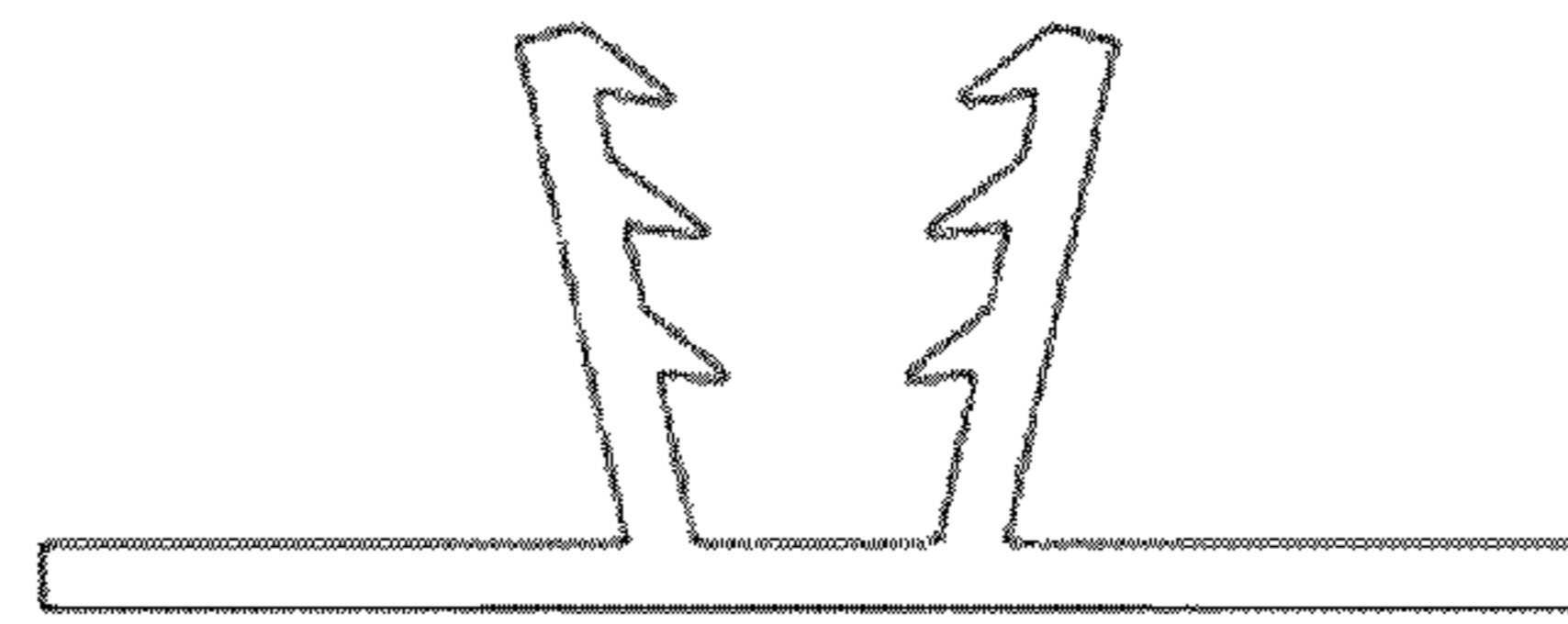


FIG. 5

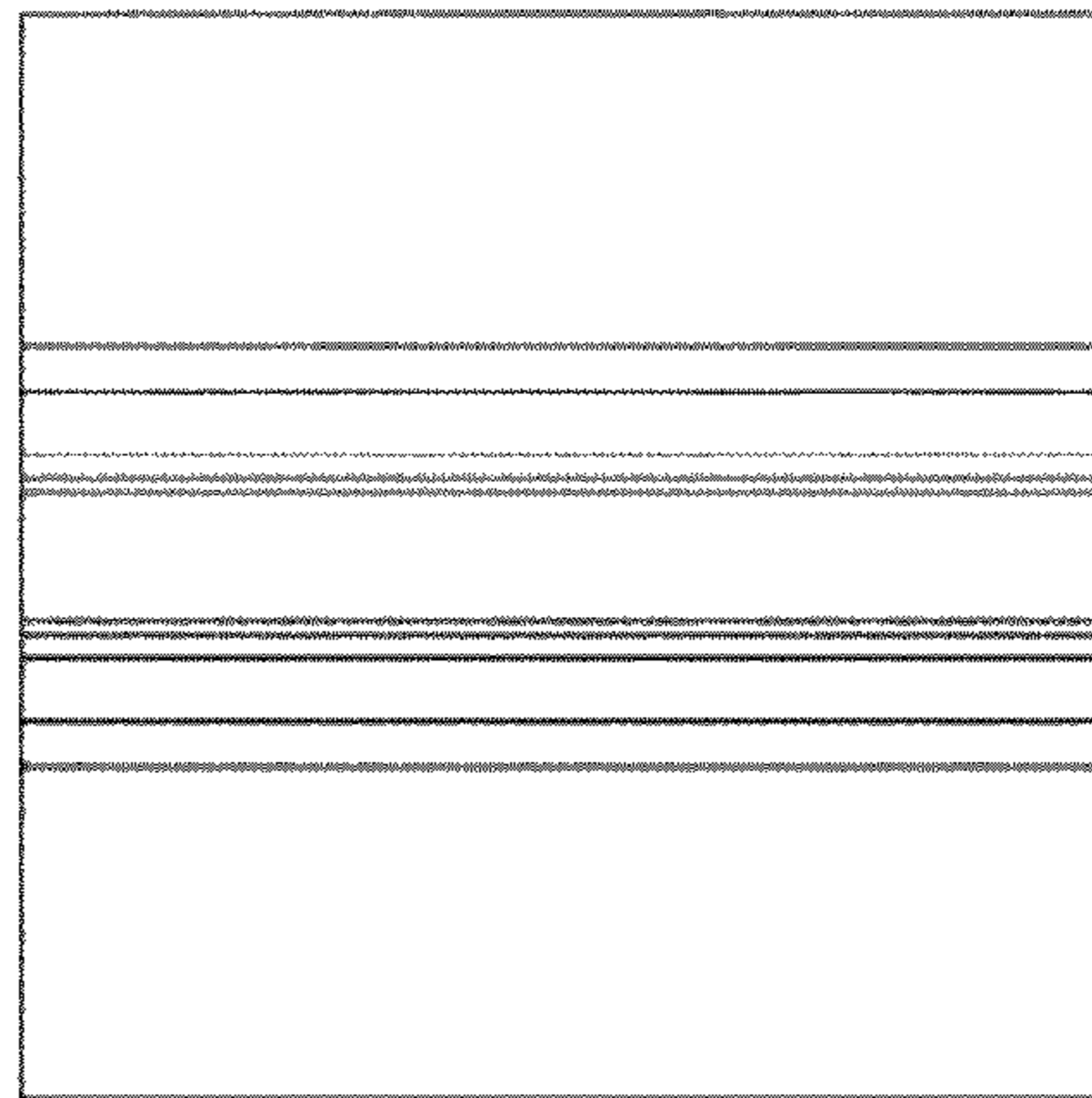


FIG. 6

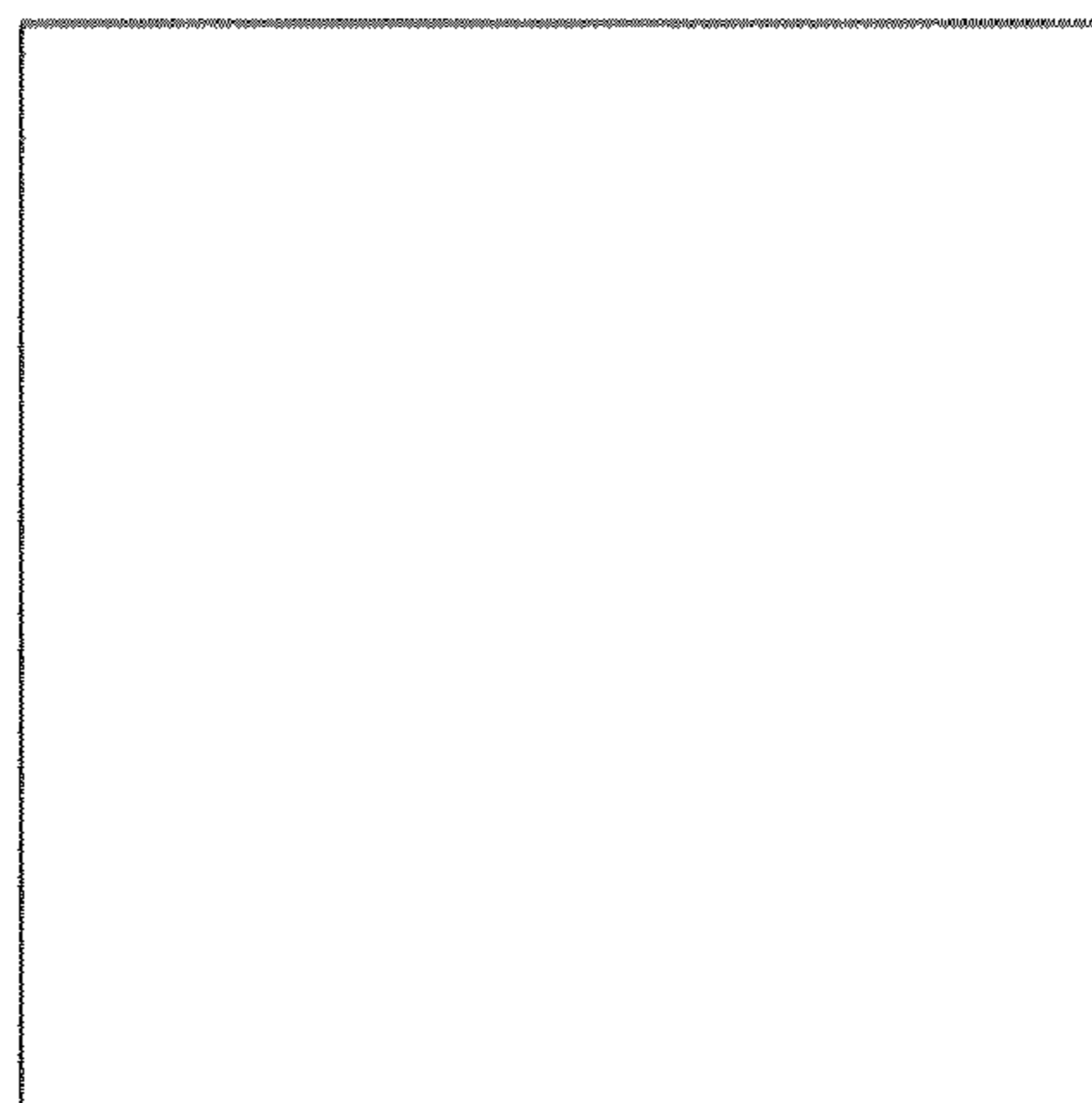


FIG. 7