

US00D657054S

(12) **United States Design Patent**
Bacon

(10) **Patent No.:** **US D657,054 S**

(45) **Date of Patent:** **** Apr. 3, 2012**

(54) **MEDICAL BRACKET AND CLAMP**

(76) **Inventor:** **Glenn S. Bacon**, York, ME (US)

(**) **Term:** **14 Years**

(21) **Appl. No.:** **29/373,649**

(22) **Filed:** **May 5, 2011**

(51) **LOC (9) Cl.** **24-02**

(52) **U.S. Cl.** **D24/128**

(58) **Field of Classification Search** D24/127,
D24/128, 228, 230; D6/567, 323; D8/356,
D8/363, 367; 248/309.1, 68.1, 58, 301, 304;
211/70.6, 70.5, 60.1, 70.1, 71-72, 89; 128/DIG. 28
See application file for complete search history.

(56) **References Cited**

U.S. PATENT DOCUMENTS

810,004	A	1/1906	Tabler	
873,488	A	12/1907	De Beaumont et al.	
888,032	A	5/1908	Peterson	
2,144,272	A	1/1939	Ray	
2,876,464	A	3/1959	Helverson	
2,913,740	A	11/1959	Eldridge	
4,182,005	A	1/1980	Harrington	
4,285,486	A	8/1981	Von Osten et al.	
4,472,860	A	9/1984	Osterlind	
4,702,443	A	10/1987	Callaway	
4,817,239	A	4/1989	Campbell et al.	
D305,299	S	1/1990	Freeman	
D310,018	S	8/1990	Landrum	
D326,021	S	5/1992	Evenson	
5,188,327	A	2/1993	White	
D342,889	S	1/1994	Adams	
5,413,297	A	5/1995	Adams	
5,553,823	A *	9/1996	Protz, Jr.	248/304
5,588,166	A	12/1996	Burnett	
5,740,994	A *	4/1998	Laughlin	248/68.1
D407,010	S	3/1999	Sobczynski	
5,961,081	A *	10/1999	Rinderer	248/68.1
D422,198	S	4/2000	Snell	
6,302,365	B1	10/2001	Catanzarite et al.	
D455,947	S	4/2002	Goodman et al.	
6,565,048	B1 *	5/2003	Meyer	248/58
D477,769	S	7/2003	Shea	
6,629,676	B1 *	10/2003	Gretz	248/58

D494,047	S	8/2004	Klein et al.	
D494,050	S	8/2004	Klein et al.	
D494,454	S	8/2004	Klein et al.	
D494,844	S	8/2004	Klein et al.	
D516,326	S *	3/2006	Goodman et al.	D6/323
D535,550	S	1/2007	Silberman	
D536,882	S	2/2007	Sheley	
D538,137	S *	3/2007	Dukes	D8/356
7,207,088	B2	4/2007	Adams et al.	
7,252,274	B1	8/2007	Brannen	
D567,070	S *	4/2008	George	D8/371
D572,044	S	7/2008	Miros	
7,407,138	B1 *	8/2008	Gretz	248/58
D584,939	S	1/2009	Snell	
7,578,492	B2	8/2009	Darre'	
7,731,138	B2	6/2010	Wiesner et al.	
7,789,359	B2	9/2010	Chopp, Jr. et al.	
D628,052	S	11/2010	Carl	
7,837,156	B1 *	11/2010	Handler	248/58
7,992,833	B1 *	8/2011	Goodman et al.	248/298.1
2003/0066938	A1 *	4/2003	Zimmerman	248/301
2003/0140460	A1	7/2003	McCue	
2006/0031988	A1	2/2006	Morse	

* cited by examiner

Primary Examiner — T. Chase Nelson

Assistant Examiner — Eric Goodman

(74) *Attorney, Agent, or Firm* — John P. McGonagle

(57) **CLAIM**

The ornamental design for a medical bracket and clamp, as shown and described.

DESCRIPTION

FIG. 1 is a front perspective view of a medical bracket and clamp showing my new design, wherein a partial view of a hospital bed end and cables are shown in broken lines for illustrative purposes only and form no part of the claimed design;

FIG. 2 is a top view thereof;

FIG. 3 is a front view thereof;

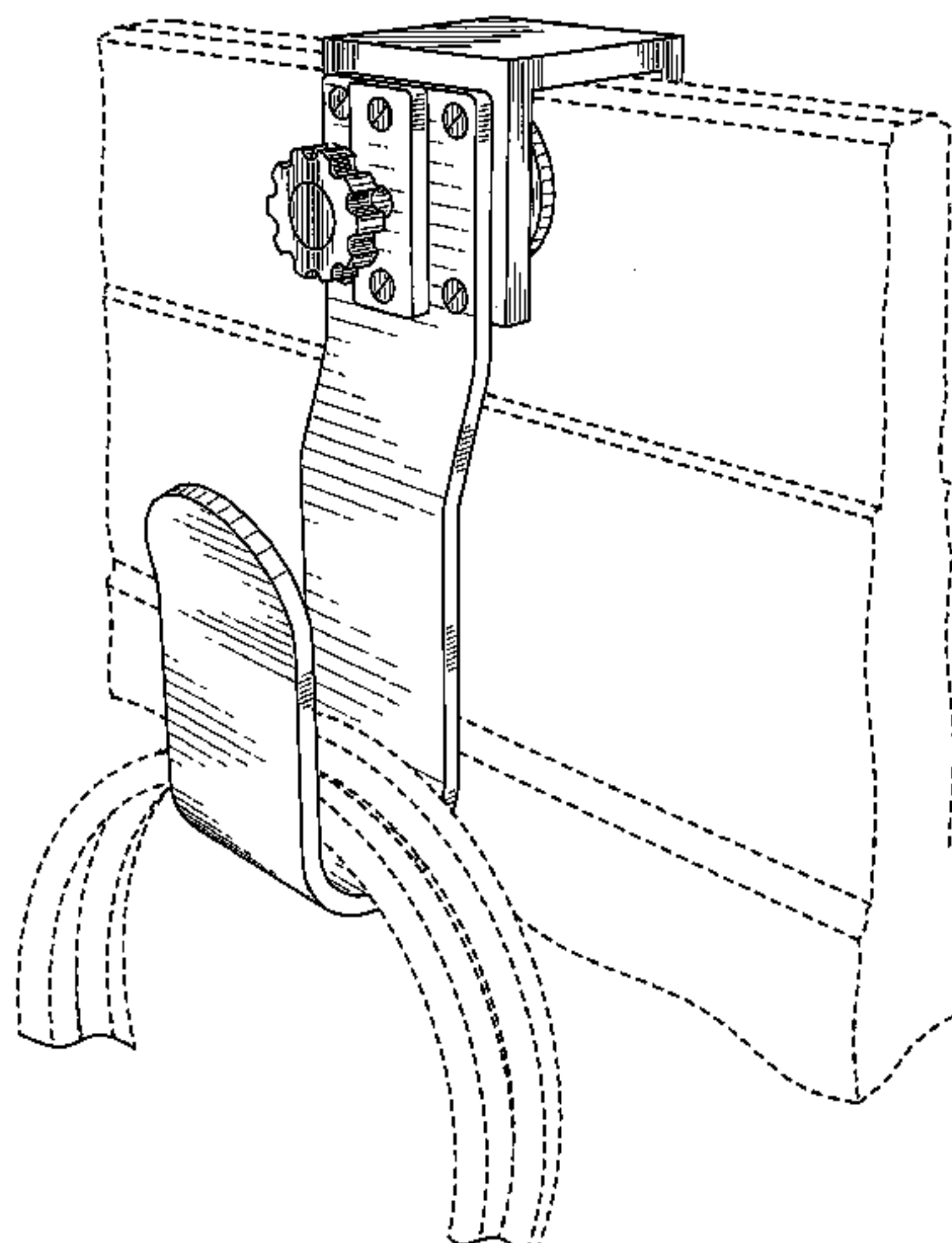
FIG. 4 is a right side view thereof;

FIG. 5 is a rear view thereof;

FIG. 6 is a left side view thereof; and,

FIG. 7 is a bottom view thereof.

1 Claim, 3 Drawing Sheets



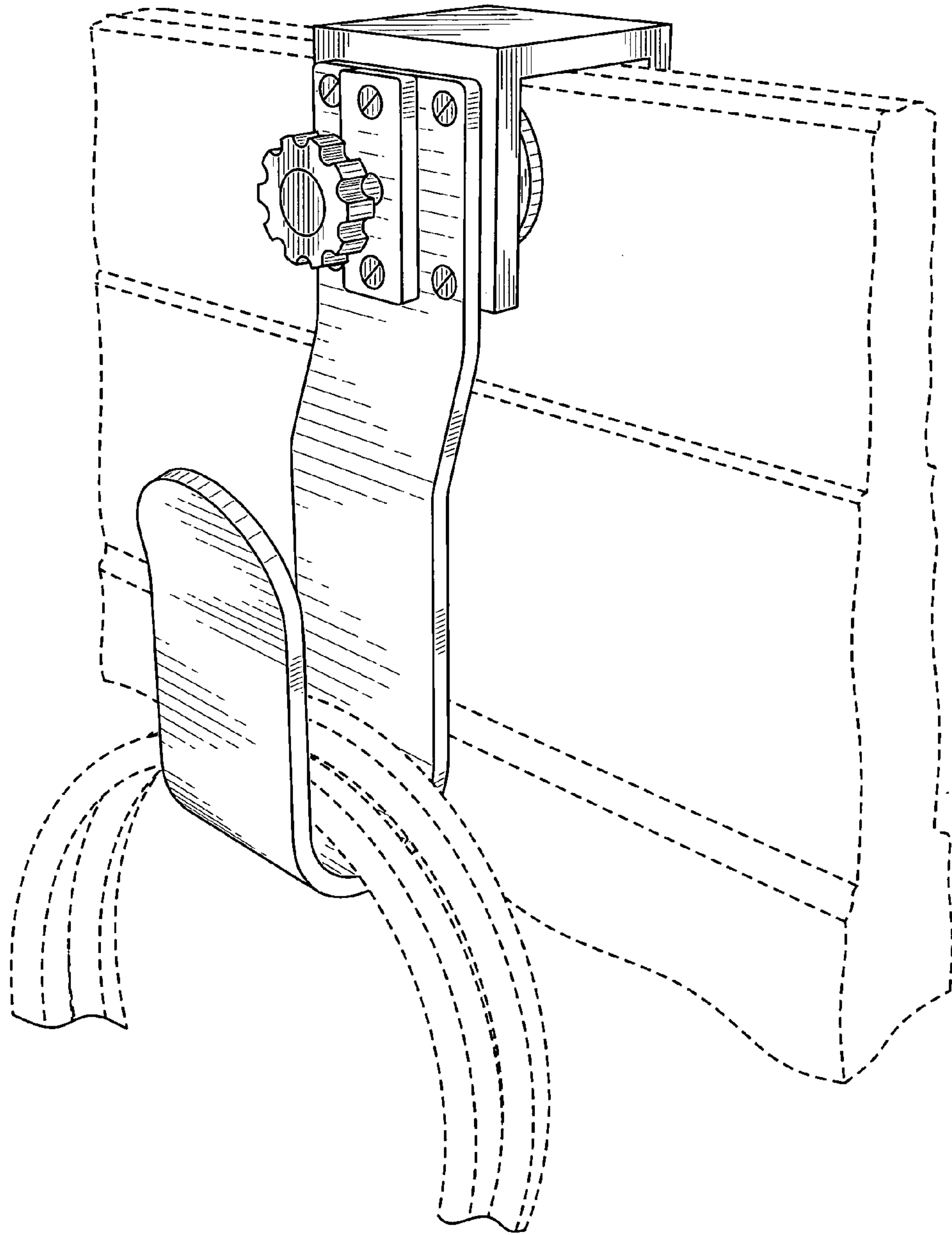


FIG. 1

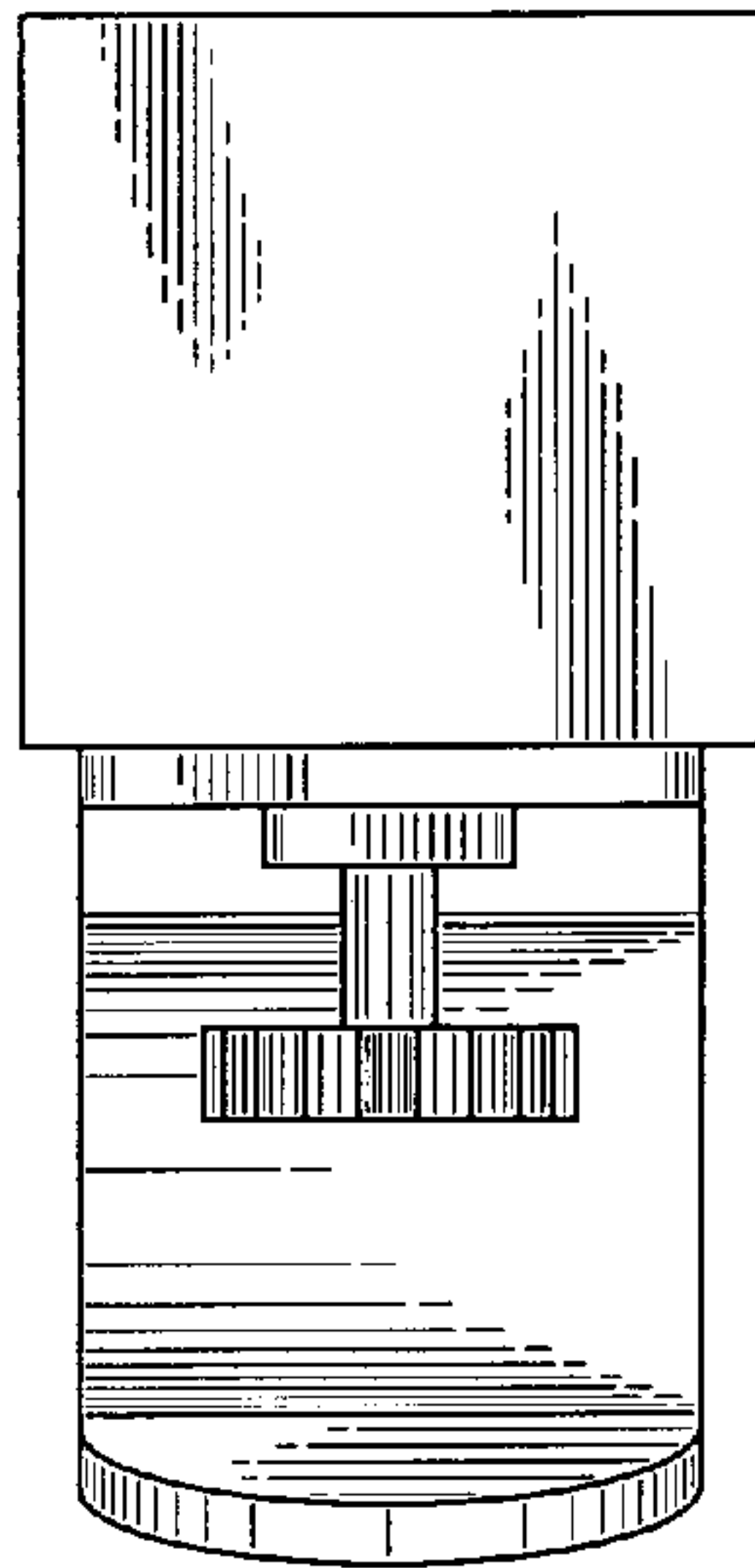


FIG. 2

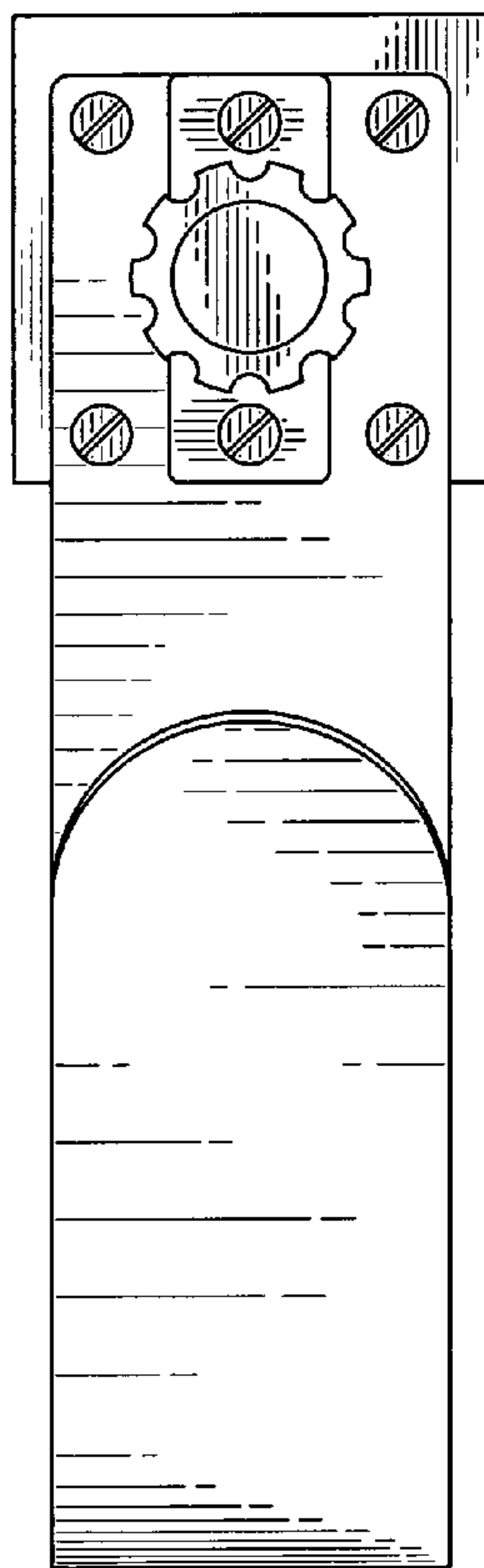


FIG. 3

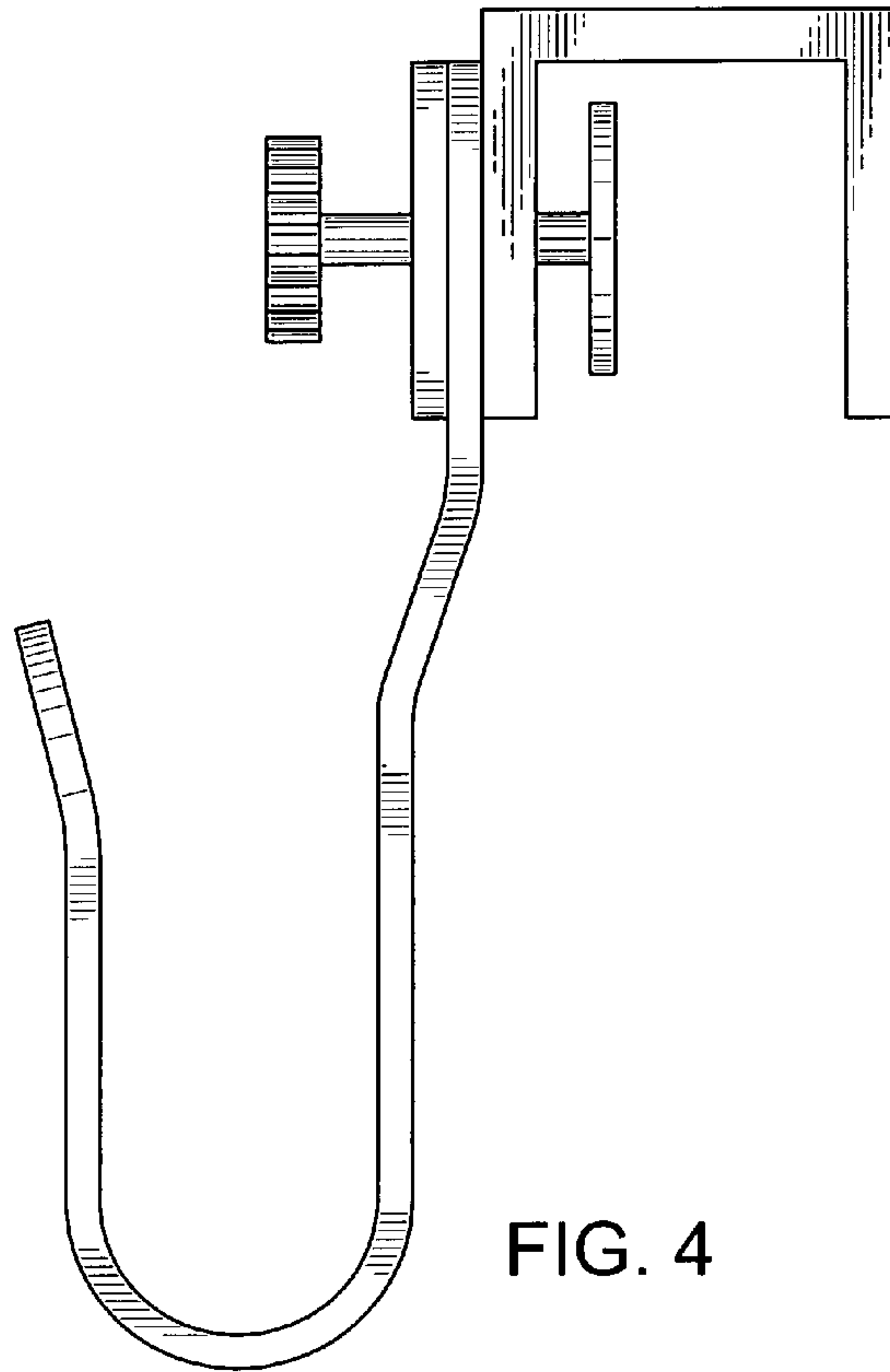


FIG. 4

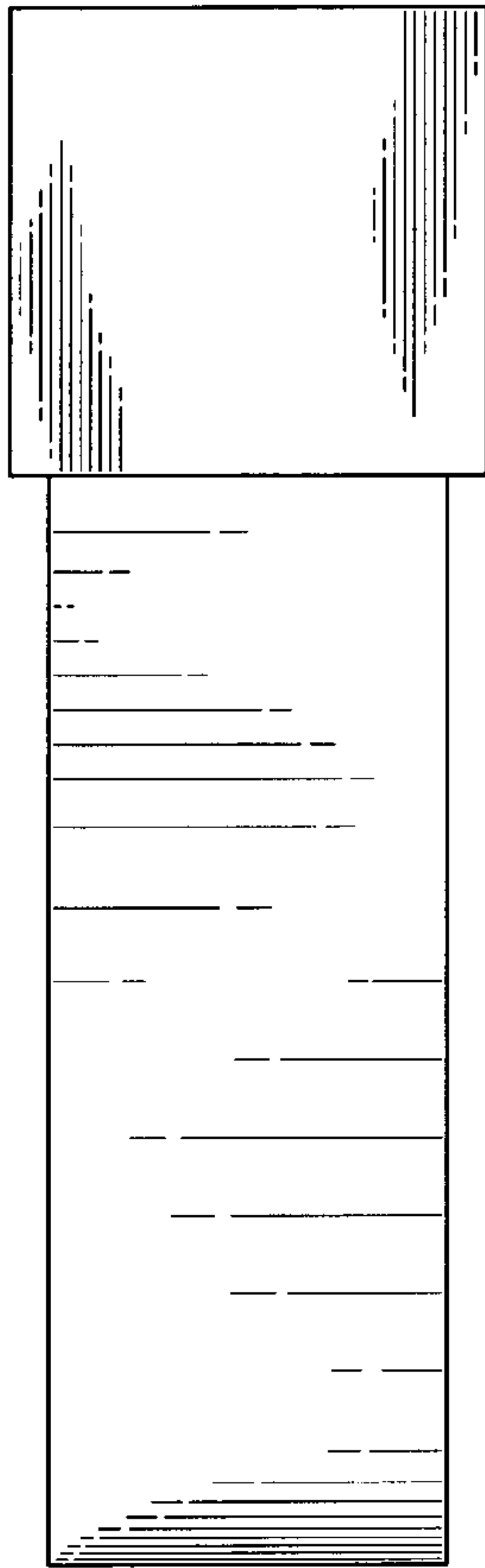


FIG. 5

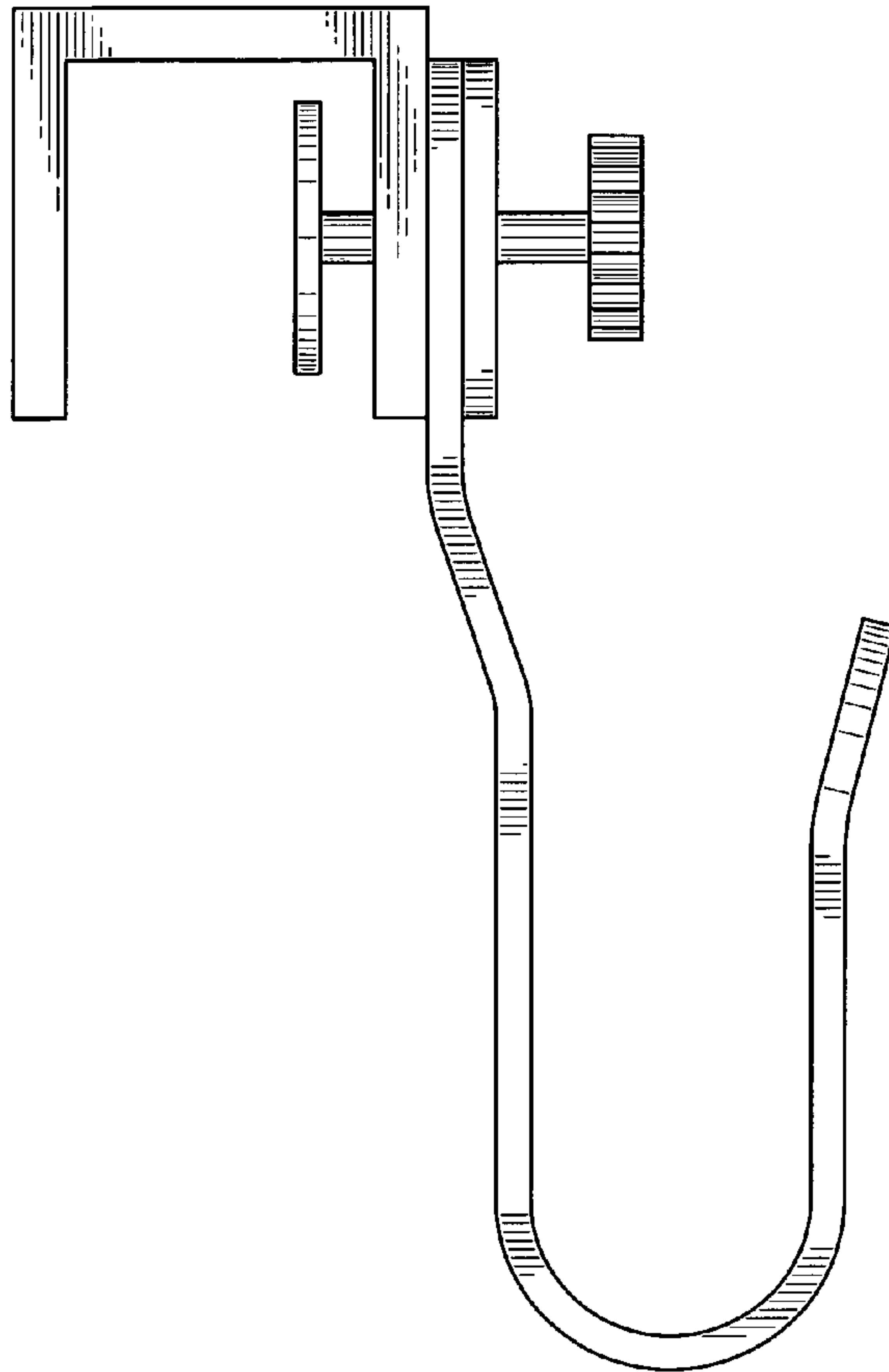


FIG. 6

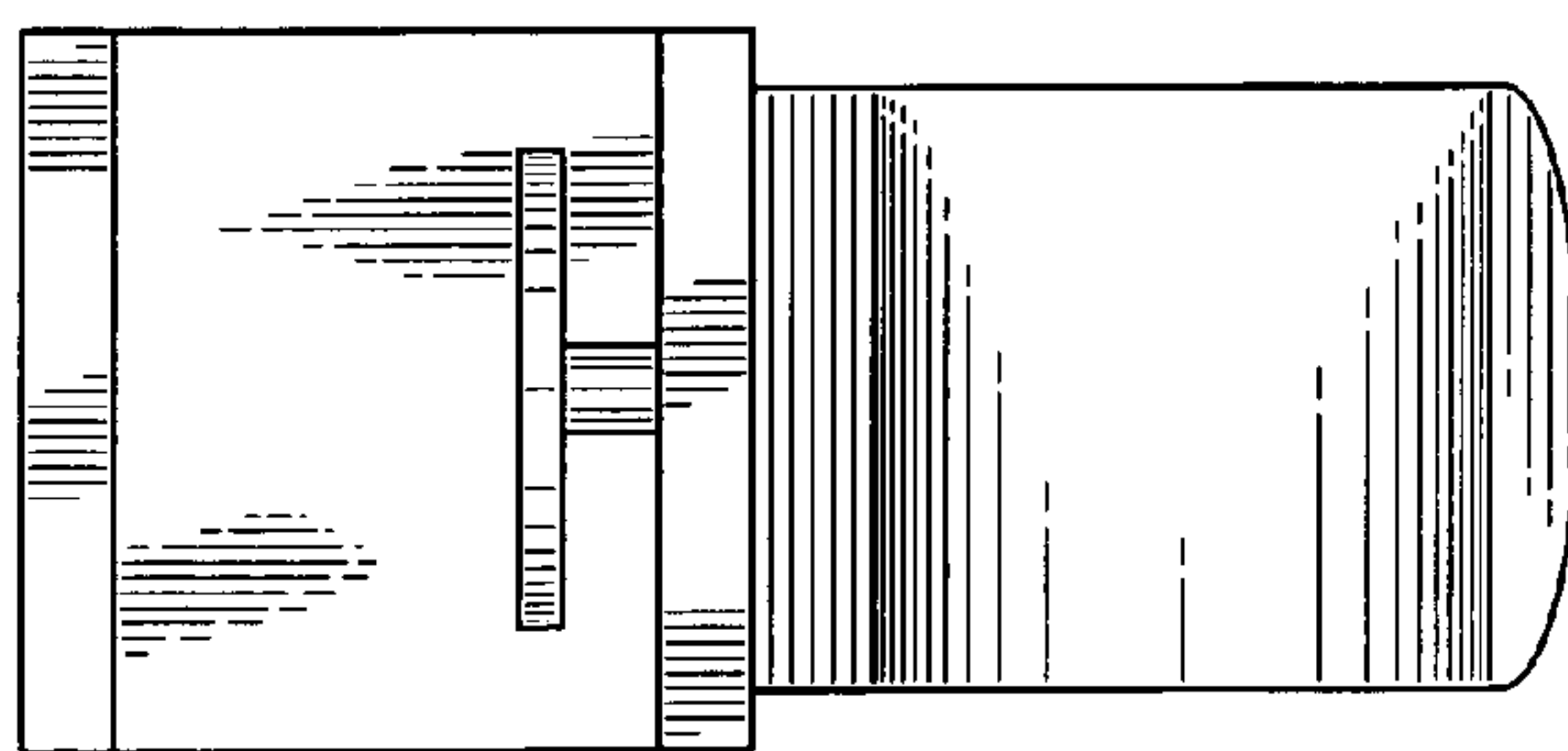


FIG. 7