



US00D657047S

(12) **United States Design Patent**  
**Minskoff et al.**

(10) **Patent No.:** **US D657,047 S**  
(45) **Date of Patent:** **\*\* Apr. 3, 2012**

(54) **PERSONAL VAPORIZER INHALER WITH RESERVOIR**

(76) Inventors: **Noah Mark Minskoff**, Salt Lake City, UT (US); **Nathan Andrew Terry**, San Francisco, CA (US)

(\*\*) Term: **14 Years**

(21) Appl. No.: **29/389,433**

(22) Filed: **Apr. 12, 2011**

(51) **LOC (9) Cl.** ..... **29-02**

(52) **U.S. Cl.** ..... **D24/110**

(58) **Field of Classification Search** ..... D24/110;  
128/203.15, 203.21, 200.14, 200.23, 205.24,  
128/202.21

See application file for complete search history.

(56) **References Cited**

**U.S. PATENT DOCUMENTS**

D316,902 S \* 5/1991 Hoelfing ..... D24/110  
D344,797 S \* 3/1994 Sochon et al. .... D24/110

7,832,397 B2 \* 11/2010 Lipowicz ..... 128/203.12  
2006/0021613 A1 \* 2/2006 Overlander ..... 128/200.14  
2008/0142007 A1 \* 6/2008 Fenlon ..... 128/203.15

\* cited by examiner

*Primary Examiner* — Ian Simmons

*Assistant Examiner* — Christopher Lee

(74) *Attorney, Agent, or Firm* — The Neudeck Law Firm, LLC

(57) **CLAIM**

The ornamental design for a personal vaporizing inhaler with reservoir, as shown and described.

**DESCRIPTION**

FIG. 1 is a perspective view of a personal vaporizing inhaler with reservoir showing my new design;  
FIG. 2 is a front elevational view thereof;  
FIG. 3 is a rear elevational view thereof;  
FIG. 4 is a side elevational view, the opposite side being a mirror image thereof;  
FIG. 5 is a top view thereof; and,  
FIG. 6 is a bottom view thereof.

**1 Claim, 2 Drawing Sheets**

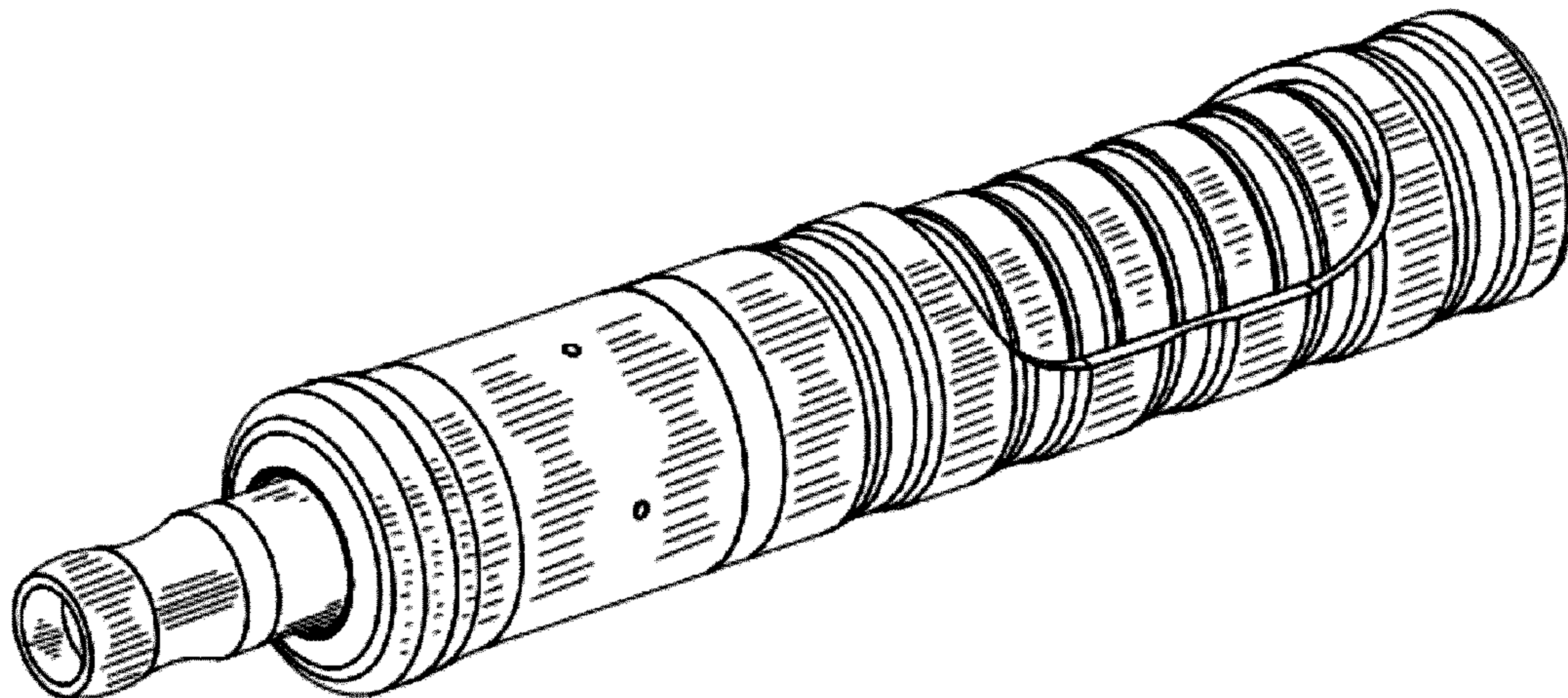


FIG. 1

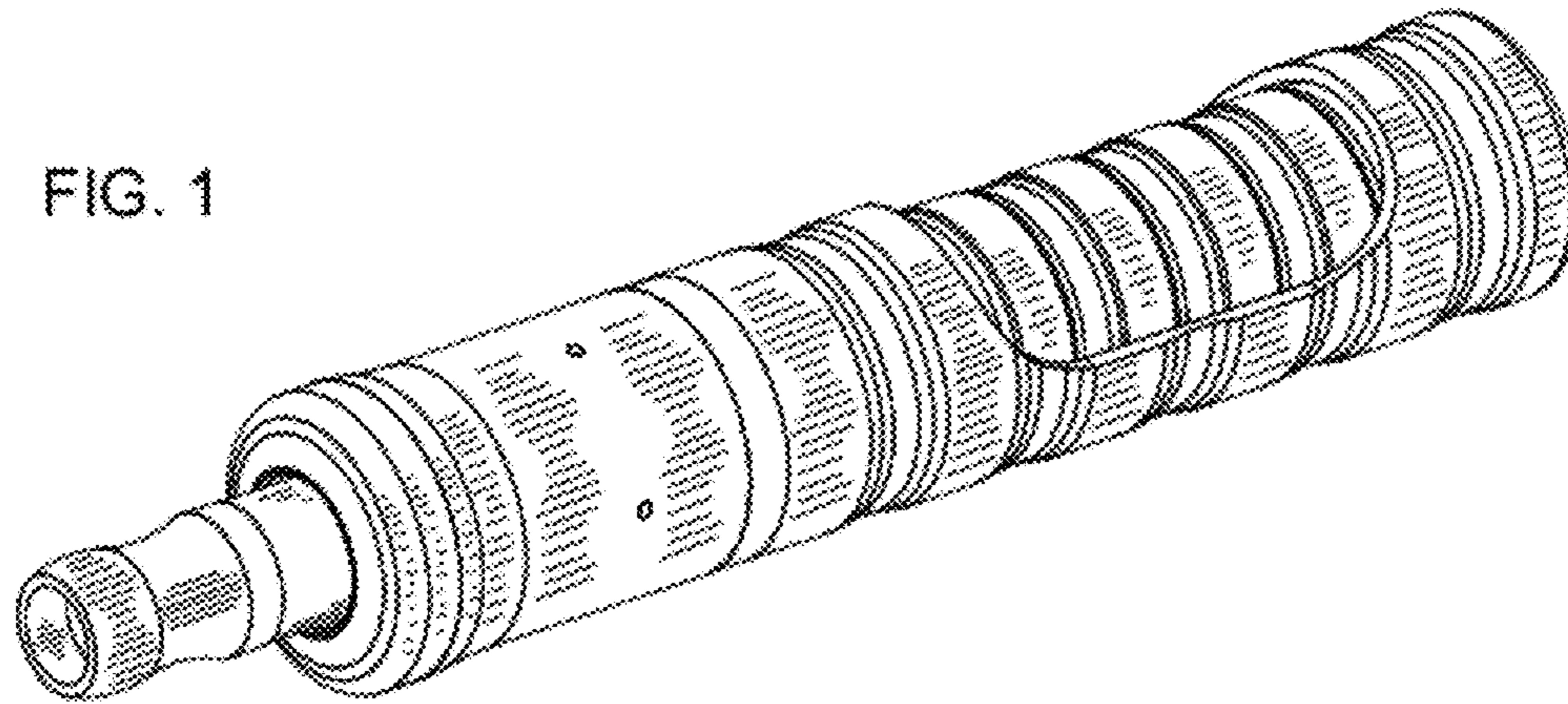


FIG. 3

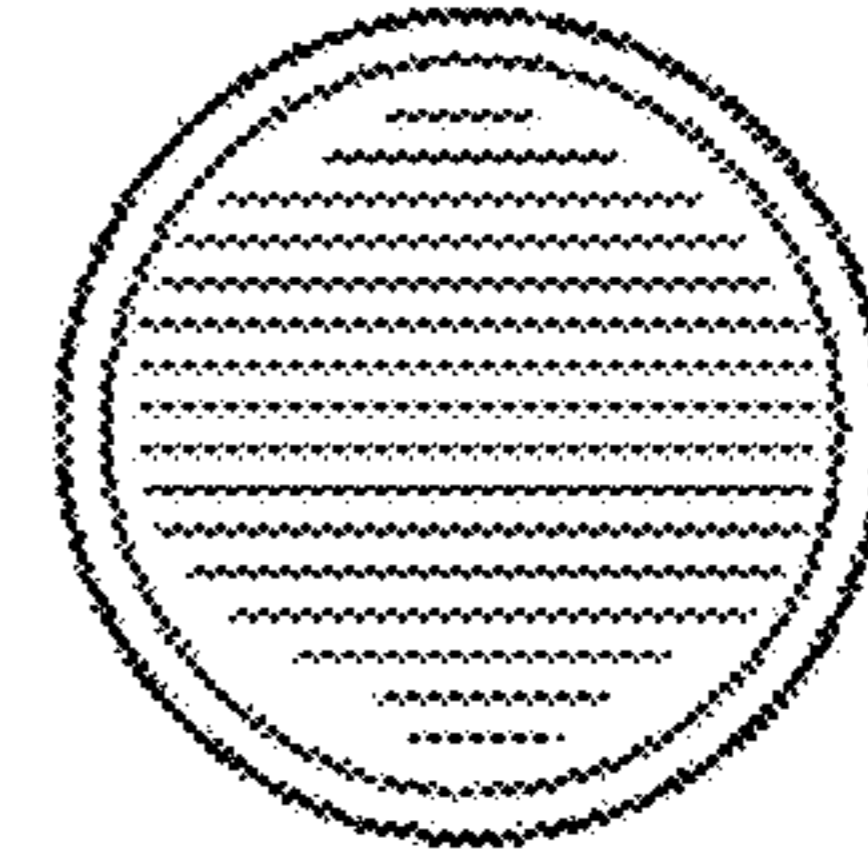


FIG. 2

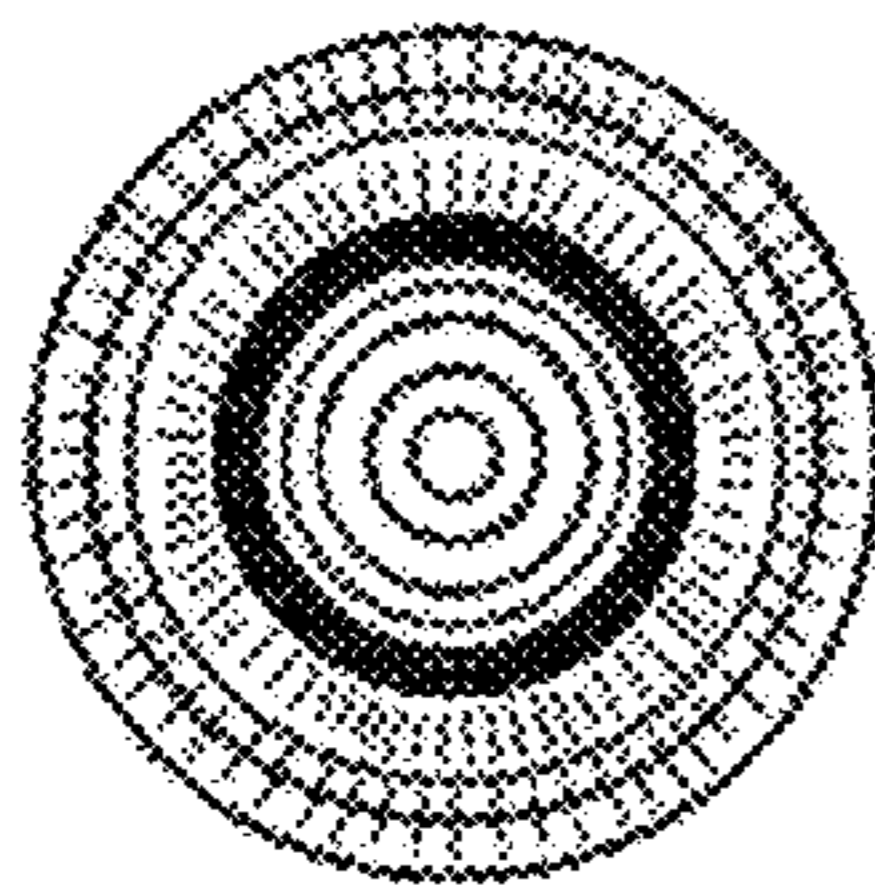


FIG. 4

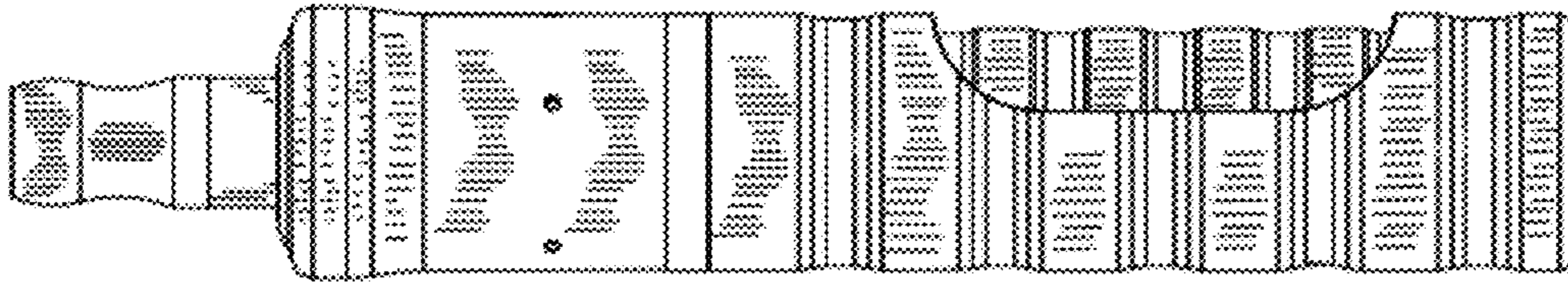


FIG. 5

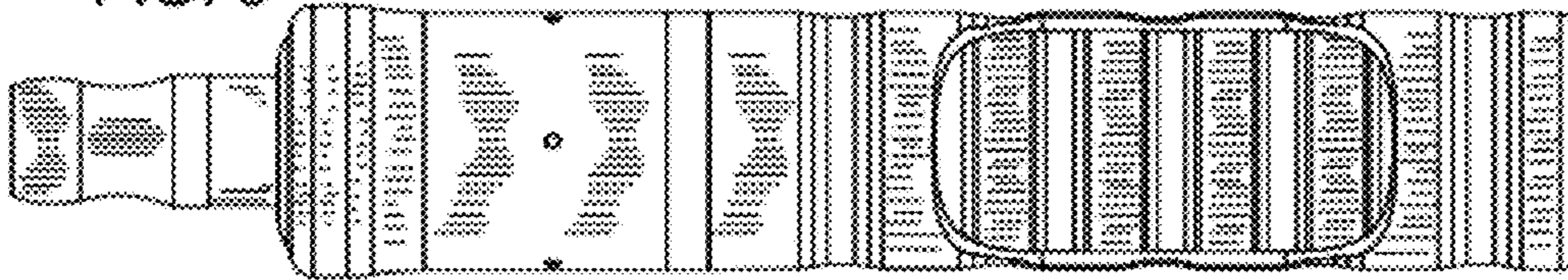


FIG. 6

