

US00D657041S

(12) **United States Design Patent**
Bull

(10) **Patent No.:** **US D657,041 S**

(45) **Date of Patent:** **** Apr. 3, 2012**

(54) **DUCT SECTION**

(75) **Inventor:** **Royston Douglas Bull**, Berwick (AU)

(73) **Assignee:** **Icon Plastics Pty Ltd**, Victoria (AU)

(**) **Term:** **14 Years**

(21) **Appl. No.:** **29/371,334**

(22) **Filed:** **Jan. 6, 2011**

(30) **Foreign Application Priority Data**

Jul. 8, 2010 (AU) 12560/2010

(51) **LOC (9) Cl.** **23-04**

(52) **U.S. Cl.** **D23/393**

(58) **Field of Classification Search** D23/385-395,
D23/365, 354, 399-403, 499, 262, 266; 454/309,
454/275-277, 284, 287-291, 358-363; 138/155,
138/166-168, DIG. 11; 285/330, 286.1,
285/41; 52/302.1, 32.07; 55/512; D32/31
See application file for complete search history.

(56) **References Cited**

U.S. PATENT DOCUMENTS

3,960,509 A * 6/1976 Abriany 55/512
D262,310 S * 12/1981 Funk D23/403

D380,813 S * 7/1997 Motz et al. D23/262
D400,670 S * 11/1998 Sorkin D23/393
D417,268 S * 11/1999 Gillingham D23/365
D465,276 S * 11/2002 Snyder D23/393
D503,791 S * 4/2005 Snyder D23/393
D503,793 S * 4/2005 Snyder D23/393
D557,788 S * 12/2007 Eloranta D23/386
7,452,395 B2 * 11/2008 Fiello et al. 55/385.3
D597,715 S * 8/2009 Barker D32/31
D623,731 S * 9/2010 Snyder D23/393
D639,416 S * 6/2011 Jones et al. D23/393

* cited by examiner

Primary Examiner — David Muller

(74) *Attorney, Agent, or Firm* — Roylance, Abrams, Berdo & Goodman, L.L.P.

(57) **CLAIM**

I claim the ornamental design of a duct section, as shown and described.

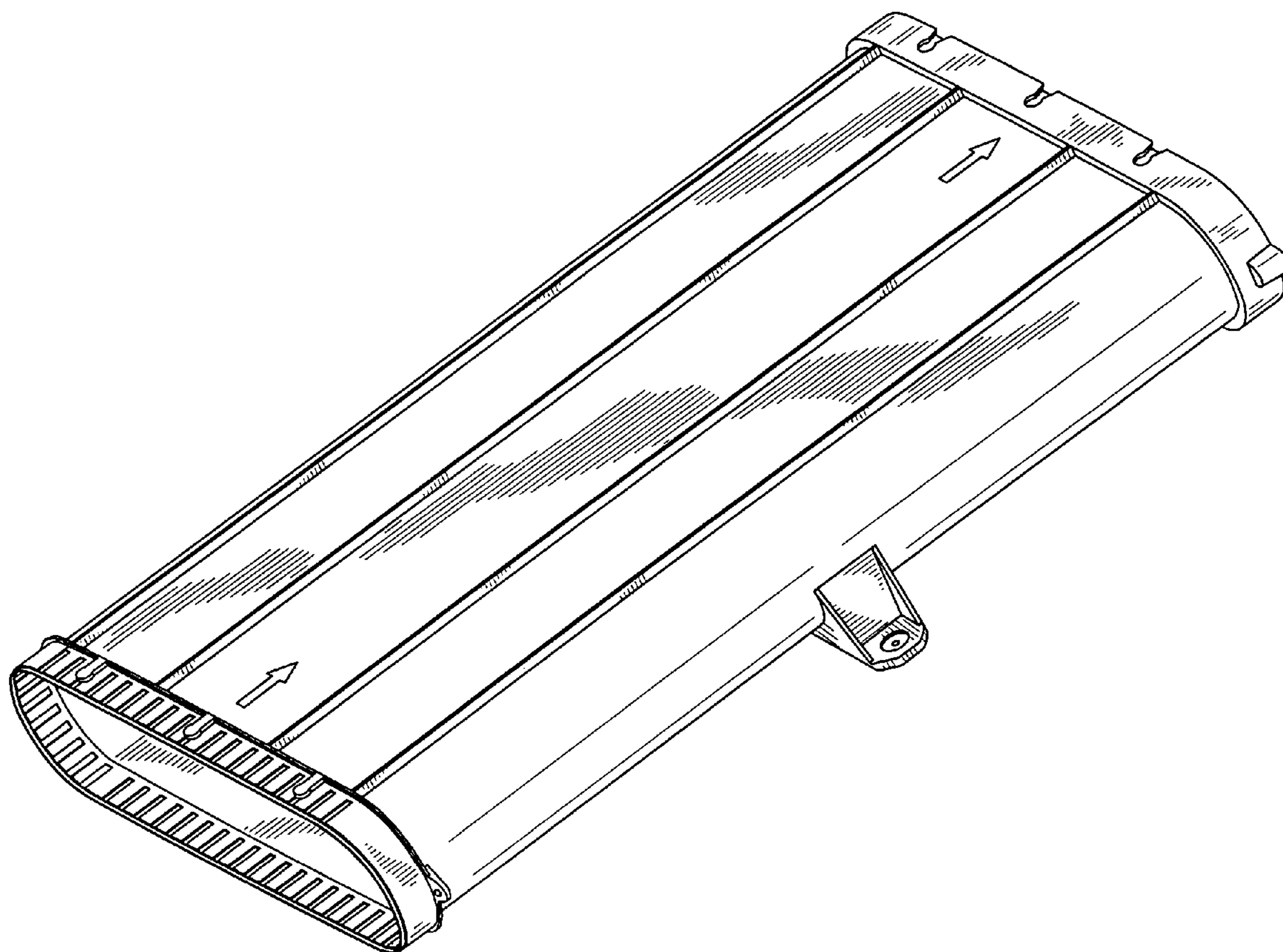
DESCRIPTION

FIG. 1 is a top perspective view of the male end of the duct section according to an embodiment of the present invention; FIG. 2 is a bottom perspective view of the male end of the duct section of FIG. 1;

FIG. 3 is a top perspective view of the female end of the duct section of FIG. 1; and,

FIG. 4 is a bottom perspective view of the female end of the duct section of FIG. 1.

1 Claim, 4 Drawing Sheets



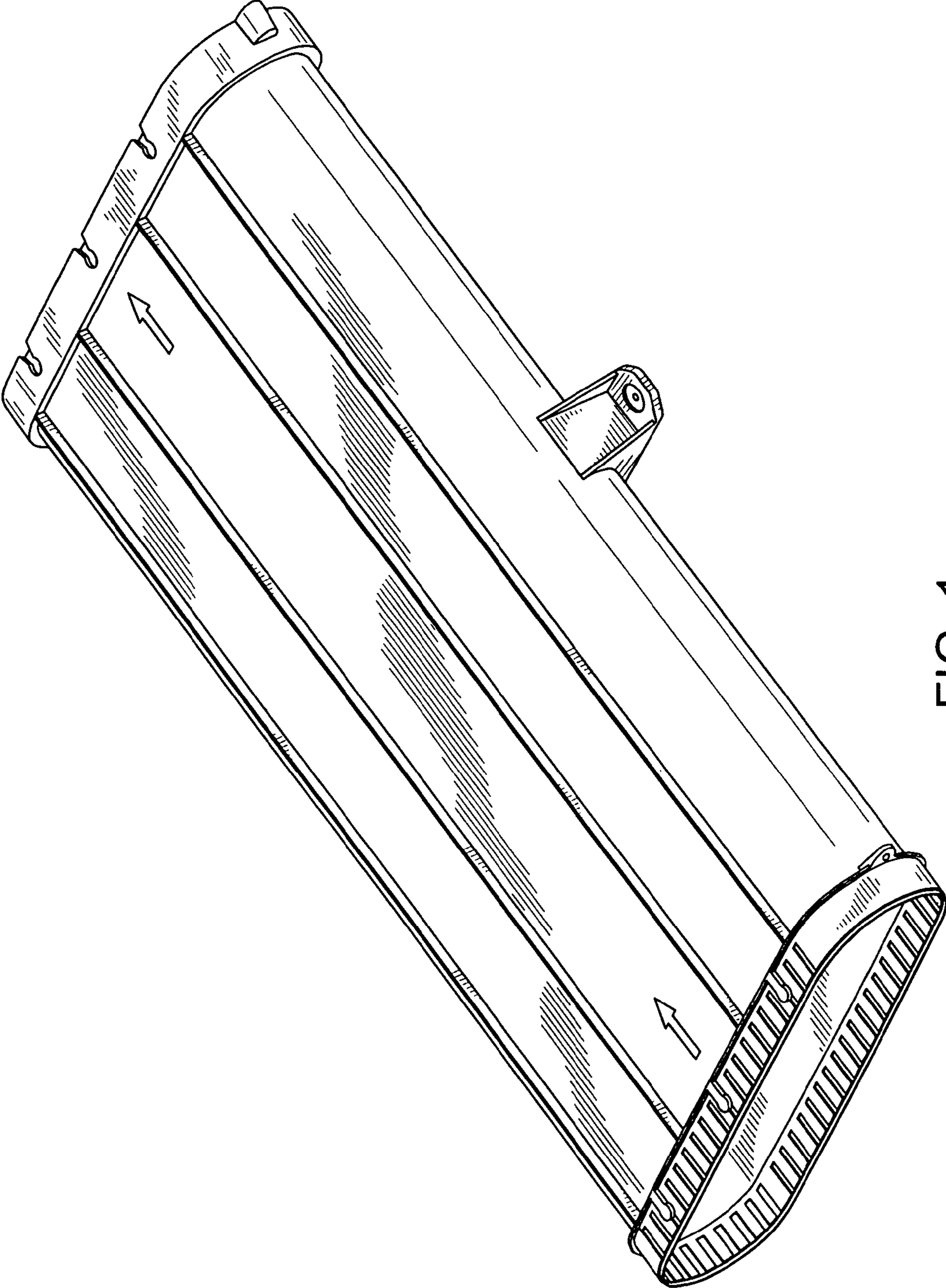


FIG. 1

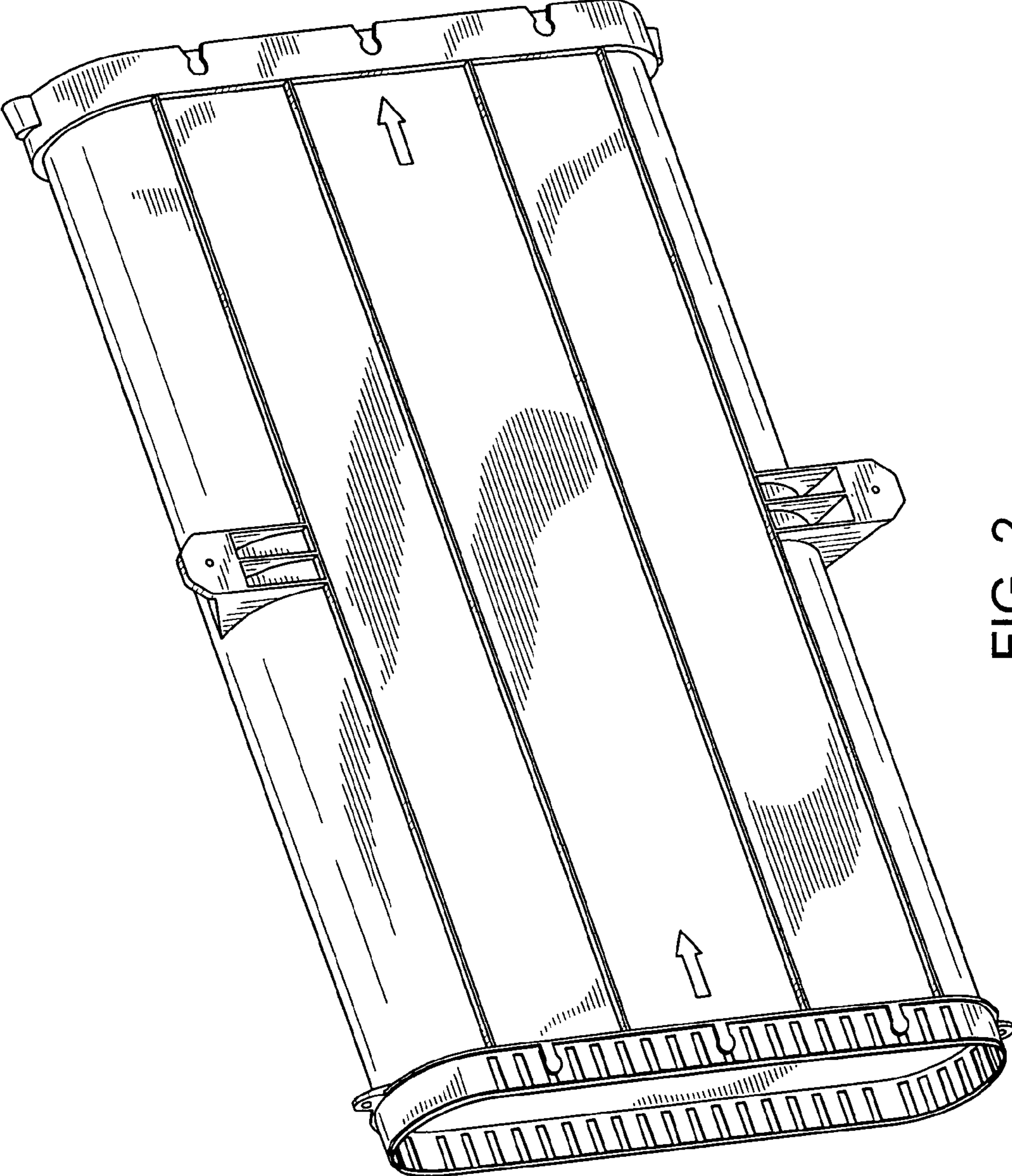


FIG. 2

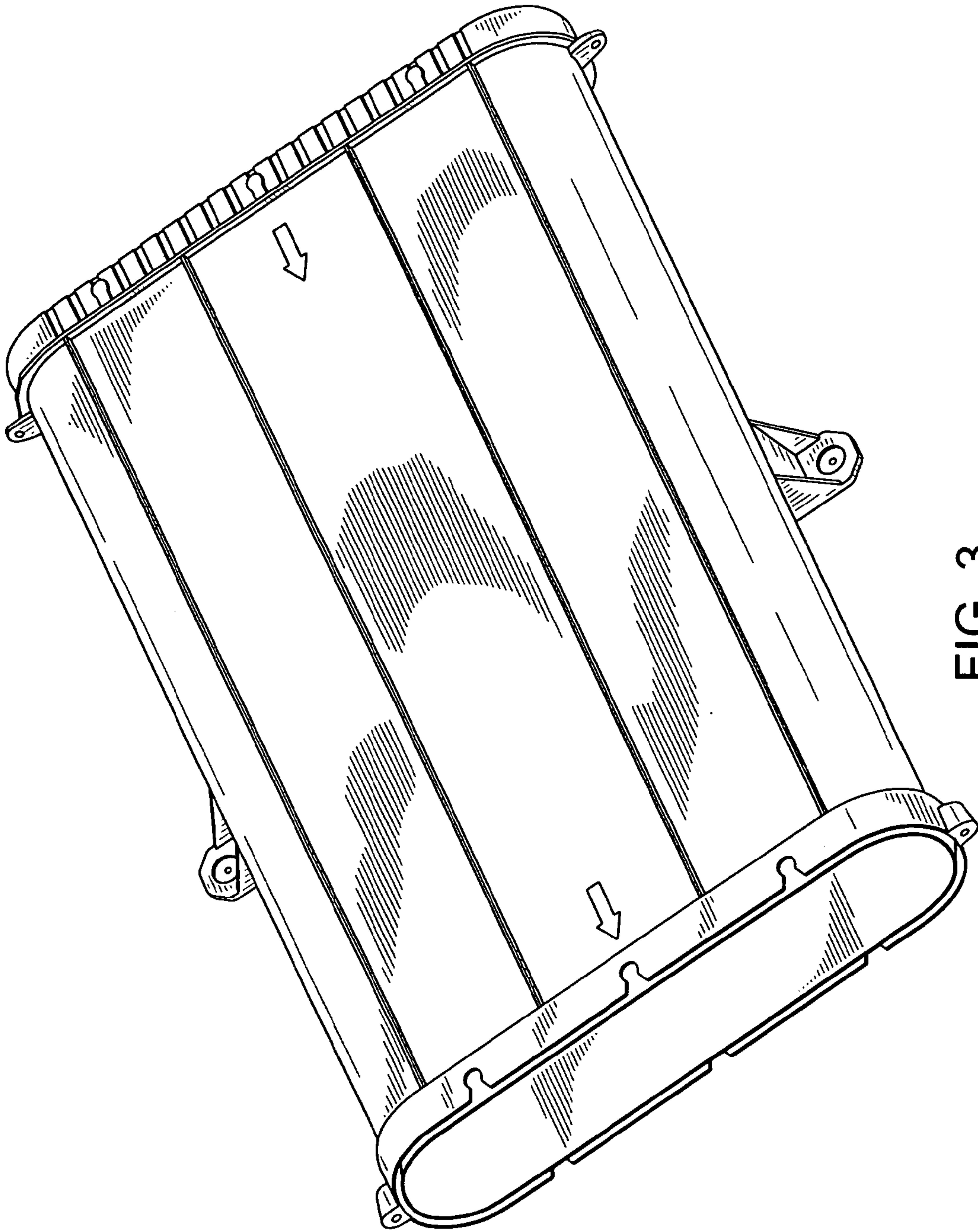


FIG. 3

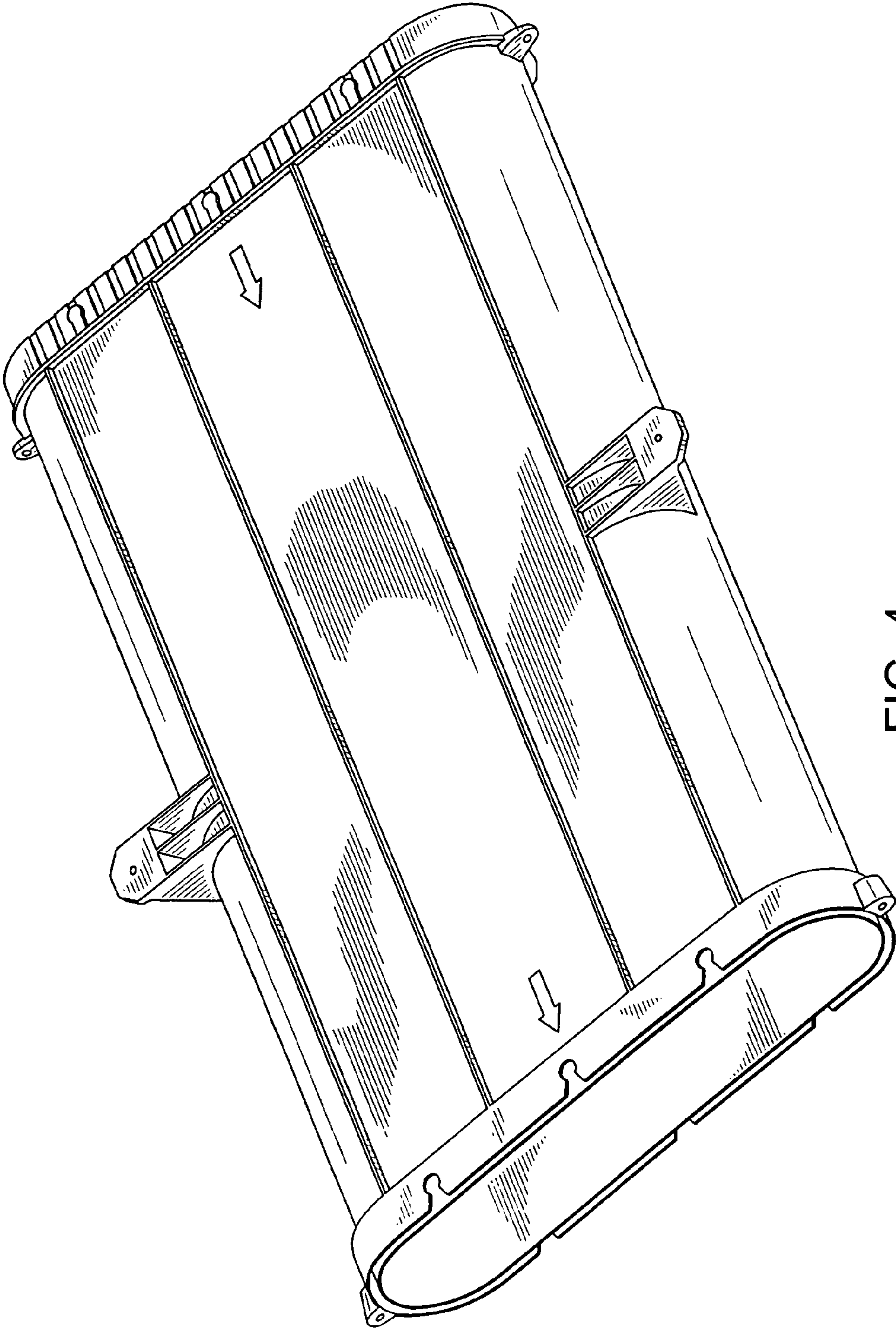


FIG. 4