



US00D657040S

(12) **United States Design Patent**
Young et al.

(10) **Patent No.:** **US D657,040 S**

(45) **Date of Patent:** **** Apr. 3, 2012**

(54) **ELECTRIC AIR FRESHENER**

(75) Inventors: **Christopher Young**, Industry, IL (US);
Robert Buenzow, Hamilton, IL (US)

(73) Assignee: **Bath & Body Works Brand Management, Inc.**, Reynoldsburg, OH (US)

(**) Term: **14 Years**

(21) Appl. No.: **29/401,785**

(22) Filed: **Sep. 15, 2011**

Related U.S. Application Data

(62) Division of application No. 29/385,216, filed on Feb. 10, 2011, now Pat. No. Des. 647,608.

(51) **LOC (9) Cl.** **26-99**

(52) **U.S. Cl.** **D23/367**

(58) **Field of Classification Search** D23/355-369;
D28/5, 6; 261/DIG. 17, DIG. 42, DIG. 65,
261/DIG. 88, DIG. 89; 392/386, 390, 391,
392/392, 393, 394, 395; 239/34, 35, 44-47,
239/50, 53, 56, 60, 145, 326
See application file for complete search history.

(56) **References Cited**

U.S. PATENT DOCUMENTS

- D379,652 S * 6/1997 Okamoto D23/367
- D430,659 S * 9/2000 Zaragoza et al. D23/367
- 6,236,807 B1 * 5/2001 Ruffolo et al. 392/390
- D476,070 S * 6/2003 Basaganas Millan D23/366
- D483,461 S * 12/2003 Millan D23/366
- D488,856 S * 4/2004 Millan D23/366
- D493,899 S * 8/2004 Grodsky et al. D26/26

- D507,636 S * 7/2005 Baraky et al. D23/366
- D522,119 S * 5/2006 Baraky et al. D23/366
- D533,930 S * 12/2006 Keller et al. D23/366

* cited by examiner

Primary Examiner — Sandra Snapp

(74) *Attorney, Agent, or Firm* — Colucci & Umans; Notaro, Michalos & Zaccaria P.C.

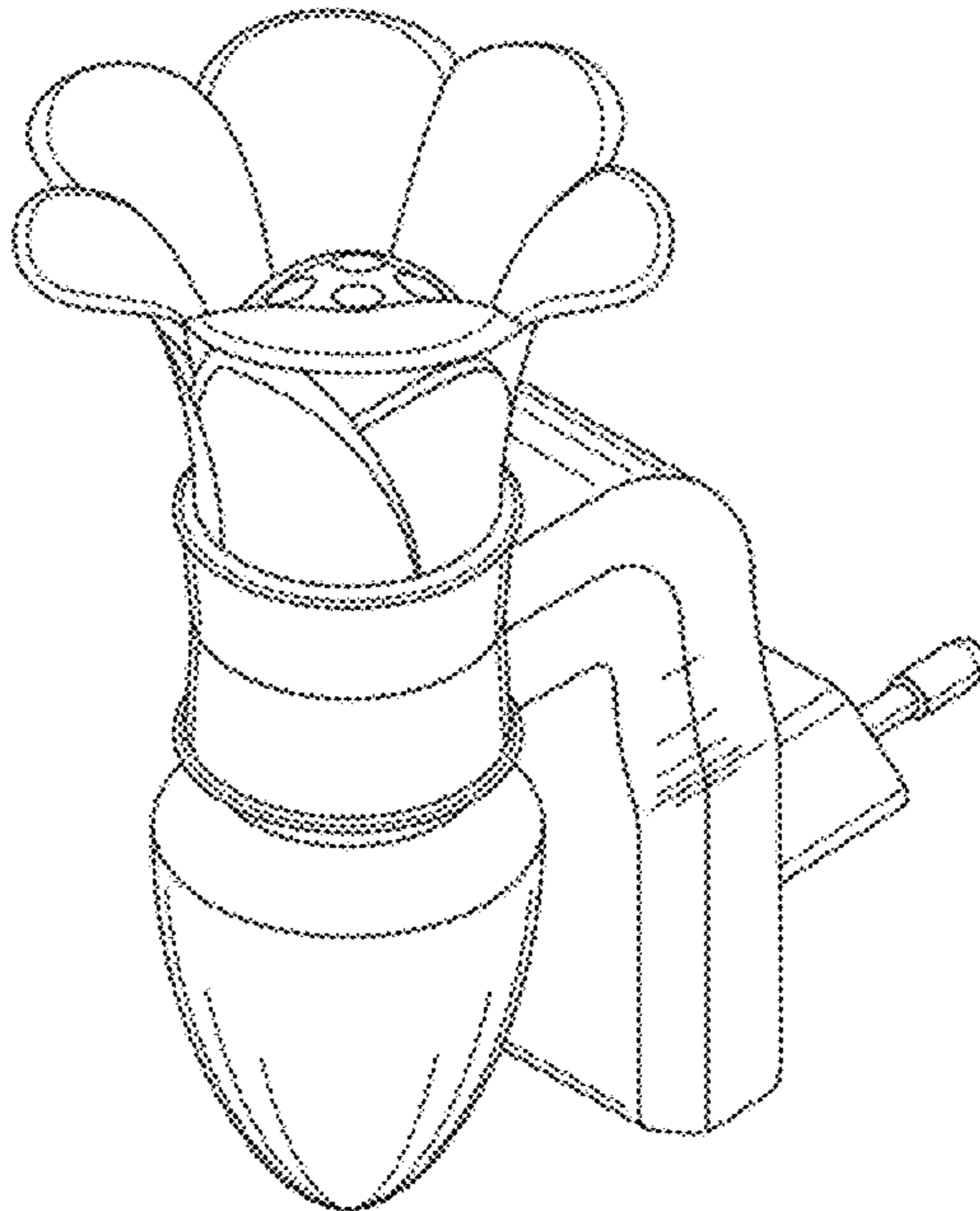
(57) **CLAIM**

The ornamental design for an electric air freshener, as shown and described.

DESCRIPTION

FIG. 1 is a perspective view of an electric air freshener showing our design therefor;
 FIG. 2 is a front elevational view thereof;
 FIG. 3 is a rear elevational view thereof;
 FIG. 4 is a side elevational view thereof;
 FIG. 5 is an opposite side elevational view thereof;
 FIG. 6 is a top plan view thereof;
 FIG. 7 is a bottom plan view thereof of our invention;
 FIG. 8 is a perspective view of a second embodiment of our invention;
 FIG. 9 is a front elevational view of the second embodiment;
 FIG. 10 is a rear elevational view of the second embodiment;
 FIG. 11 is a side elevational view of the second embodiment;
 FIG. 12 is an opposite side elevational view of the second embodiment;
 FIG. 13 is a top plan view of the second embodiment; and,
 FIG. 14 is a bottom plan view of the second embodiment.
 The broken lines shown in the drawings are for illustrative purposes only and form no part of the claimed design.

1 Claim, 14 Drawing Sheets



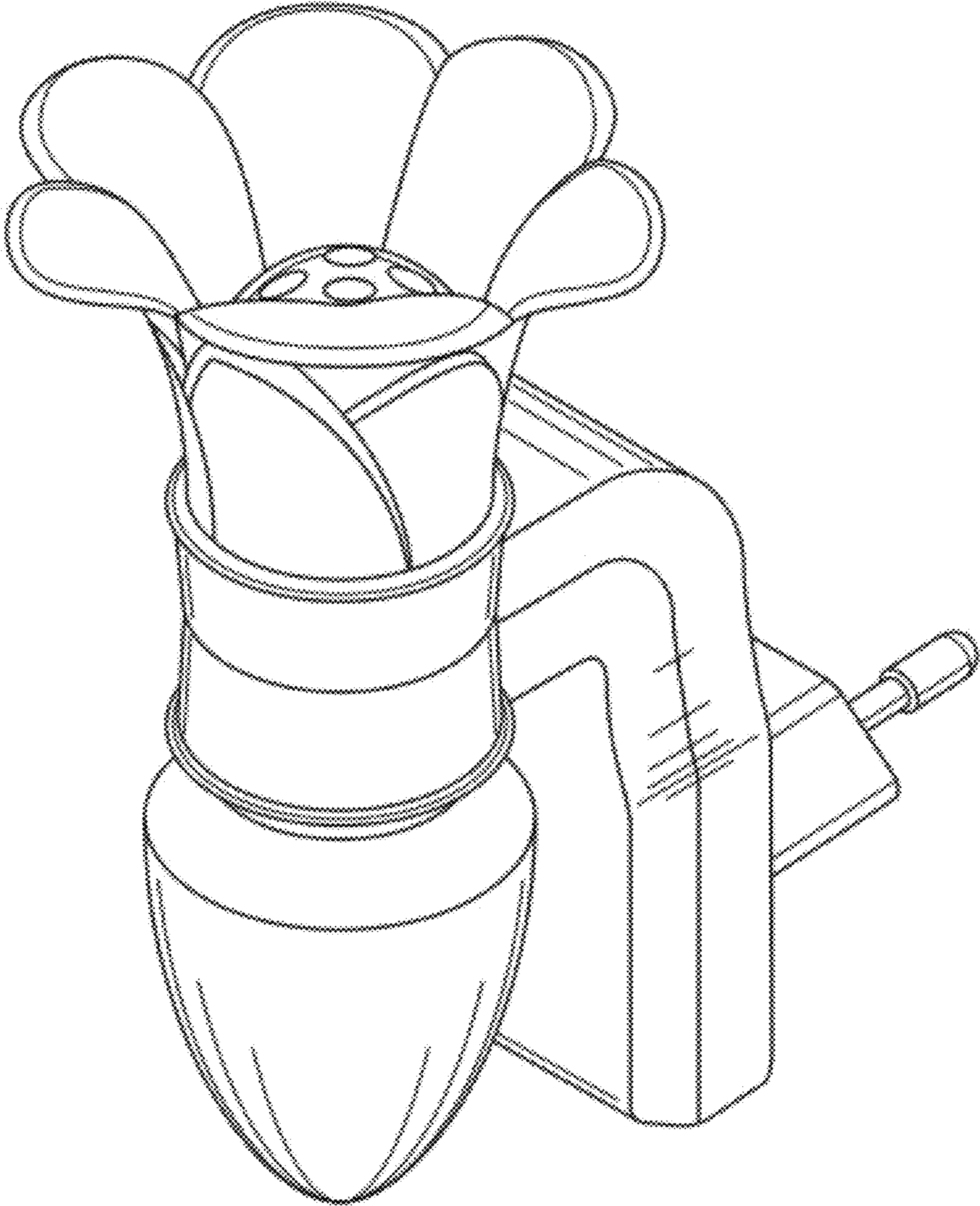


FIG. 1

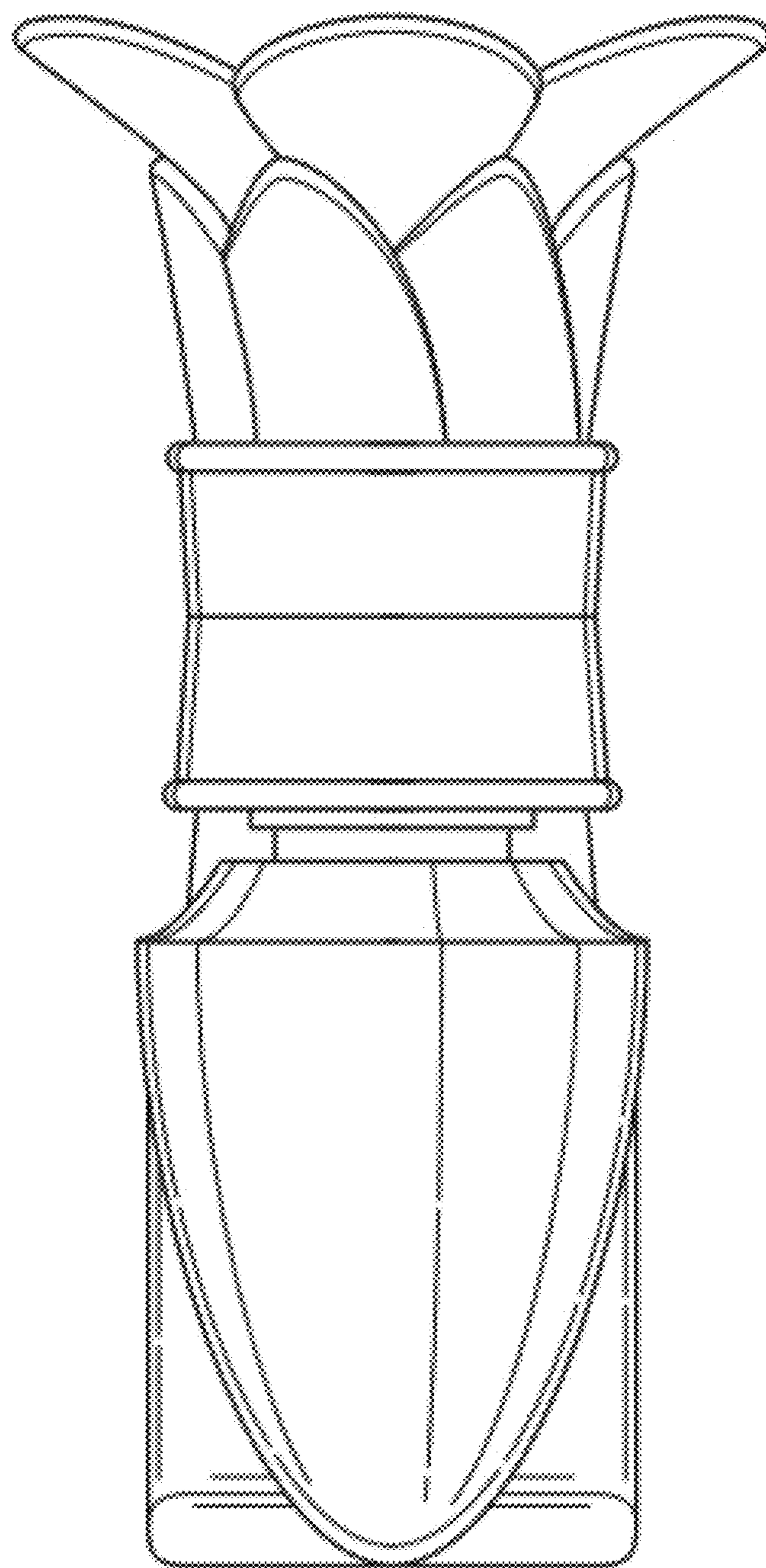


FIG. 2

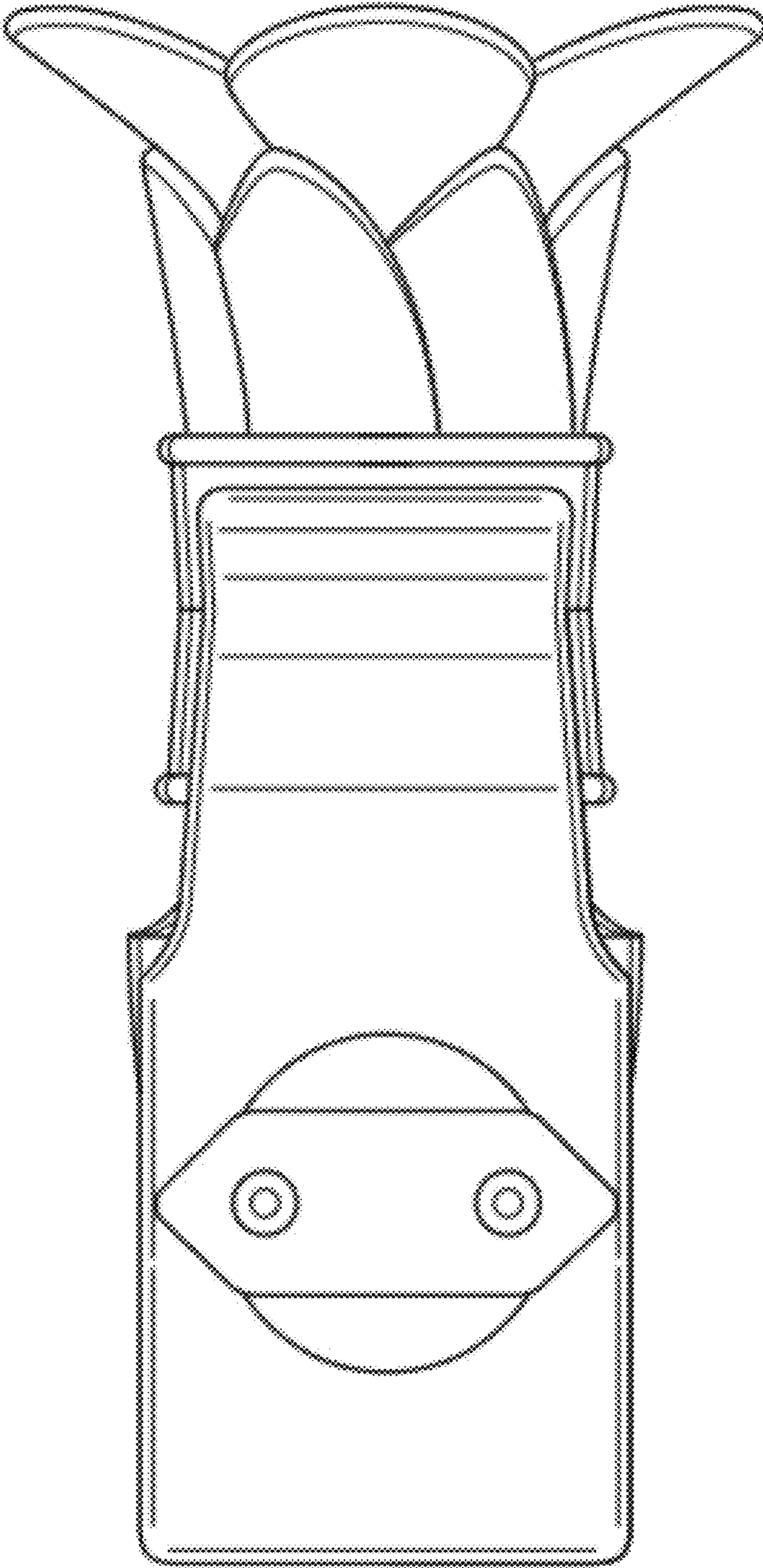


FIG. 3

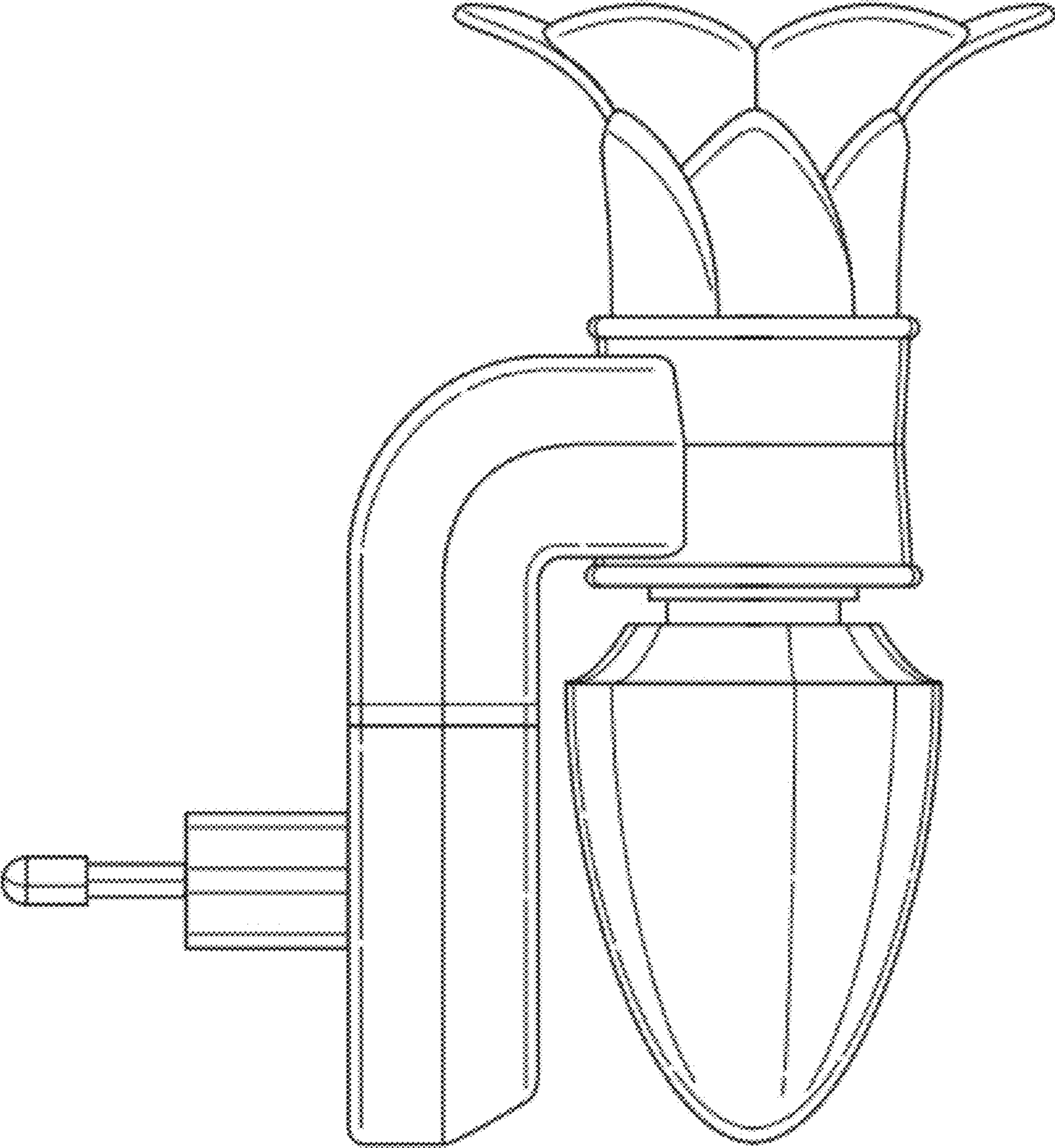


FIG. 4

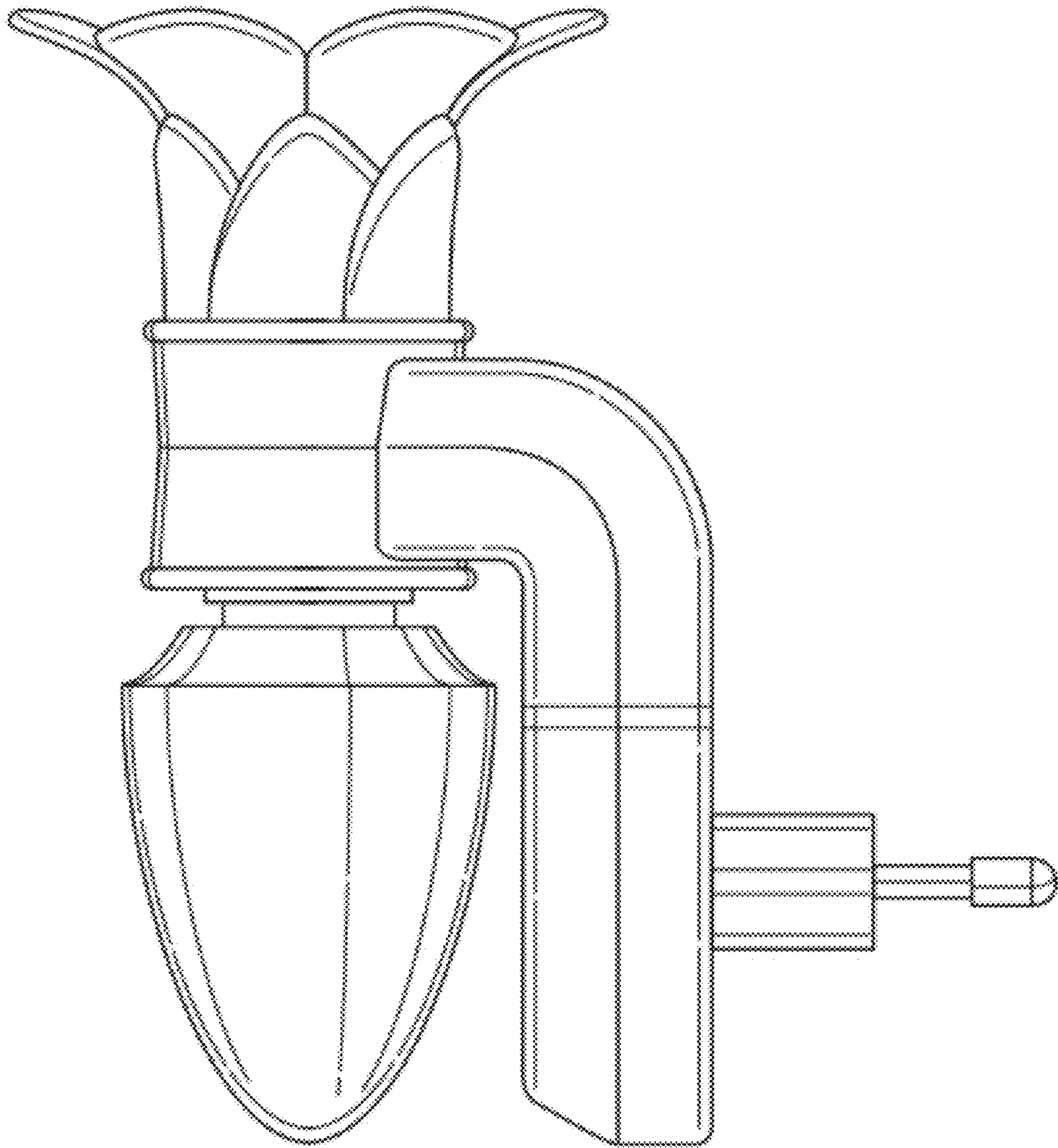


FIG. 5

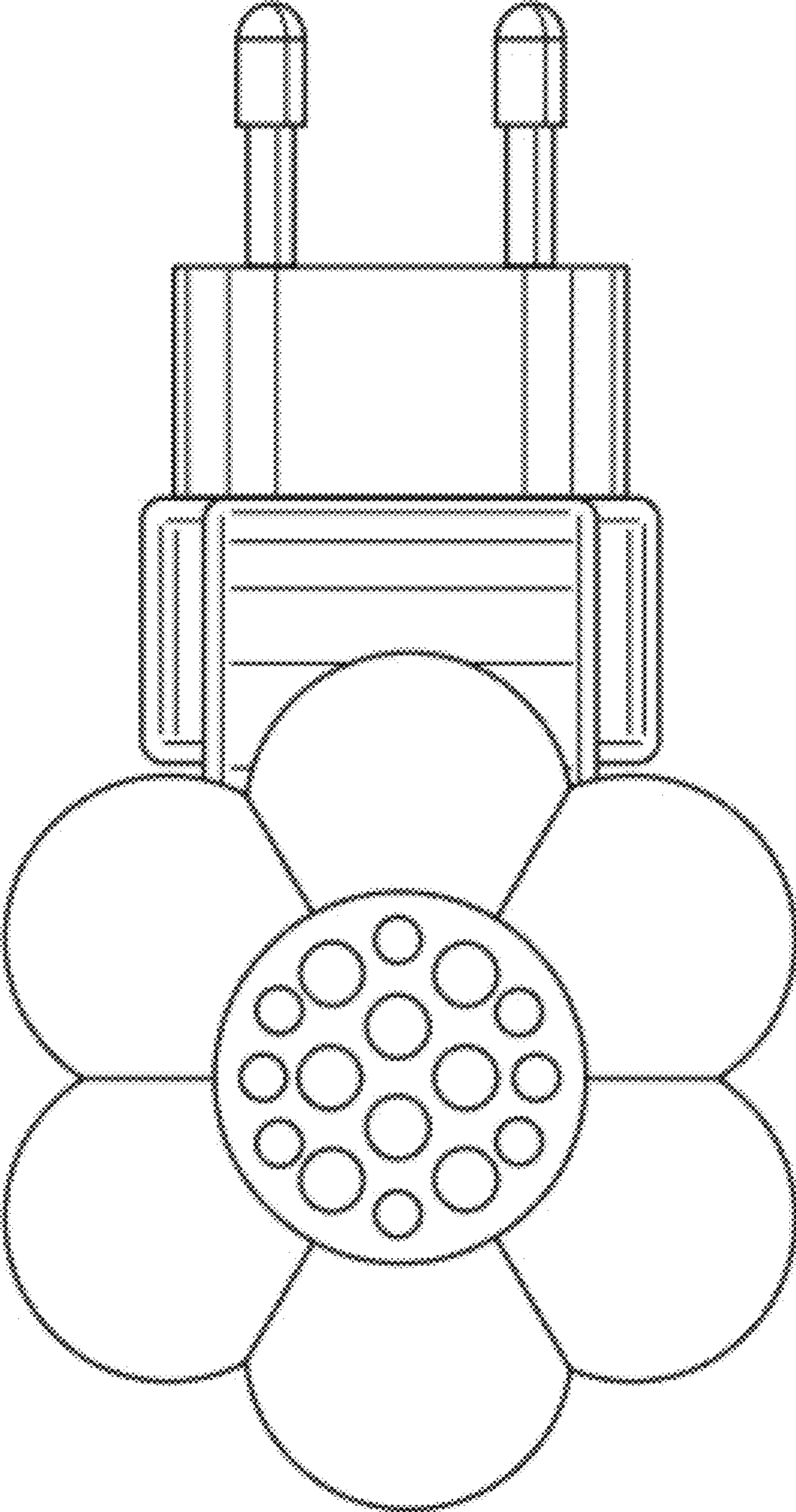


FIG. 6

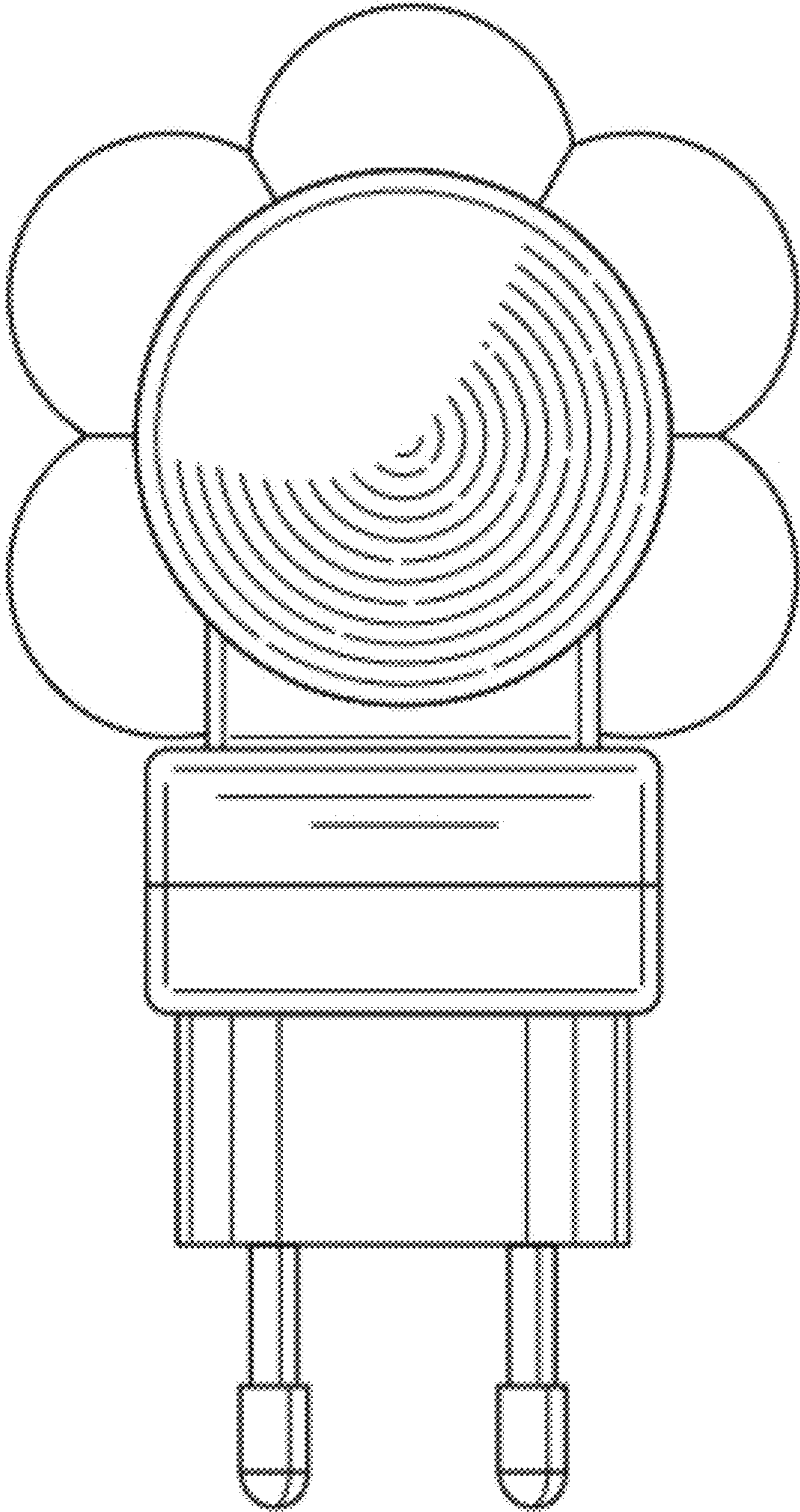


FIG. 7

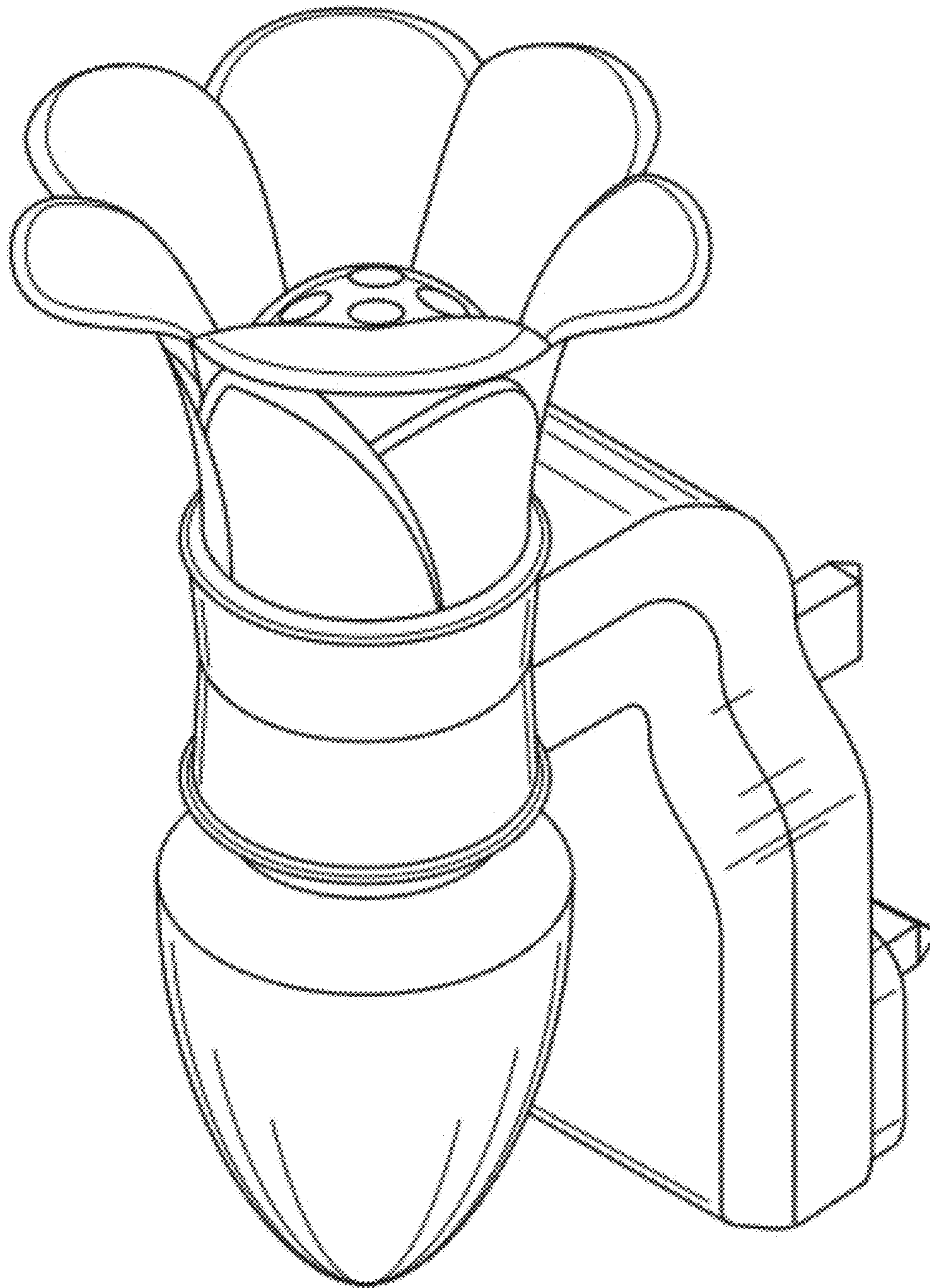


FIG. 8

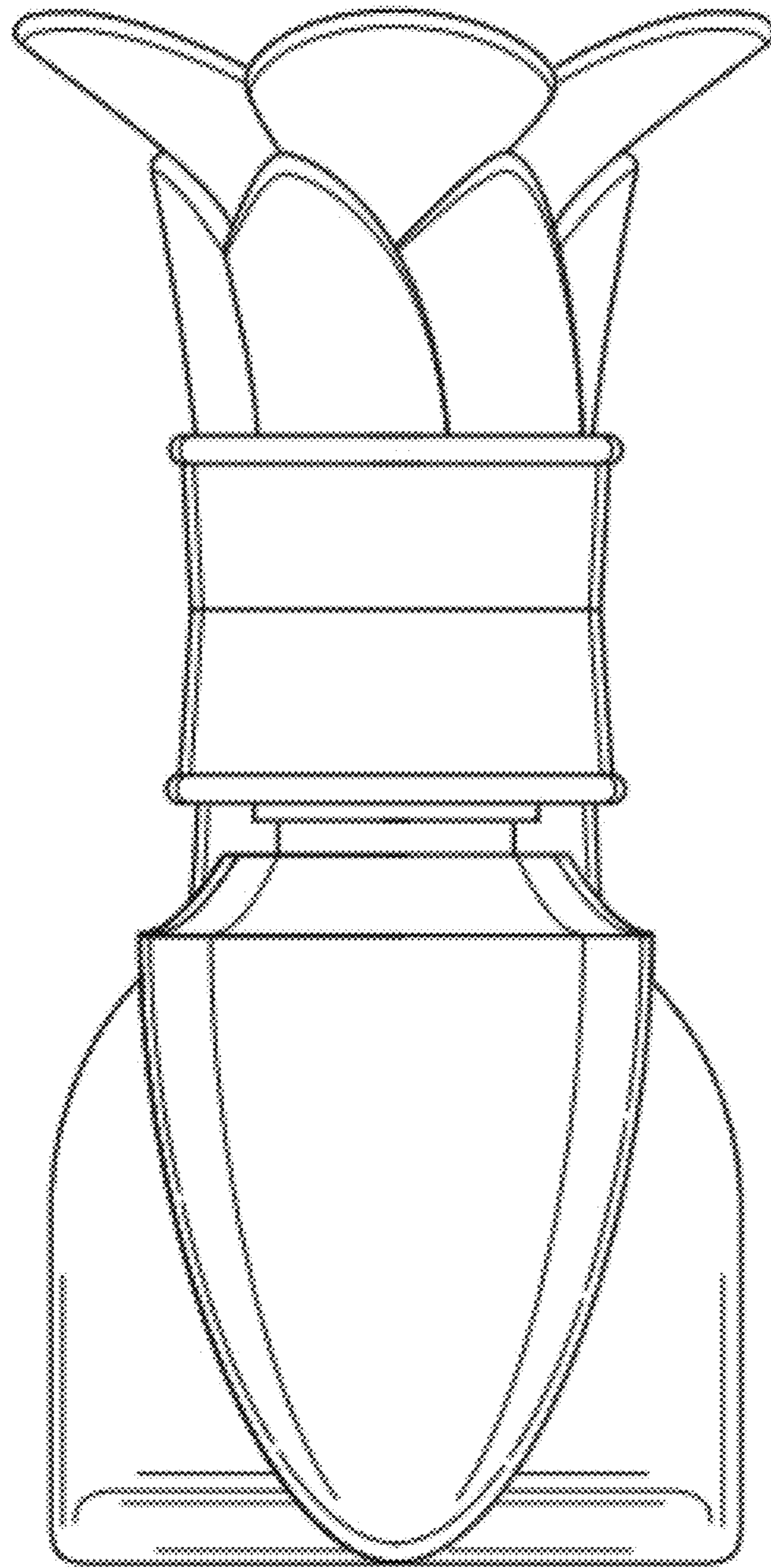


FIG. 9

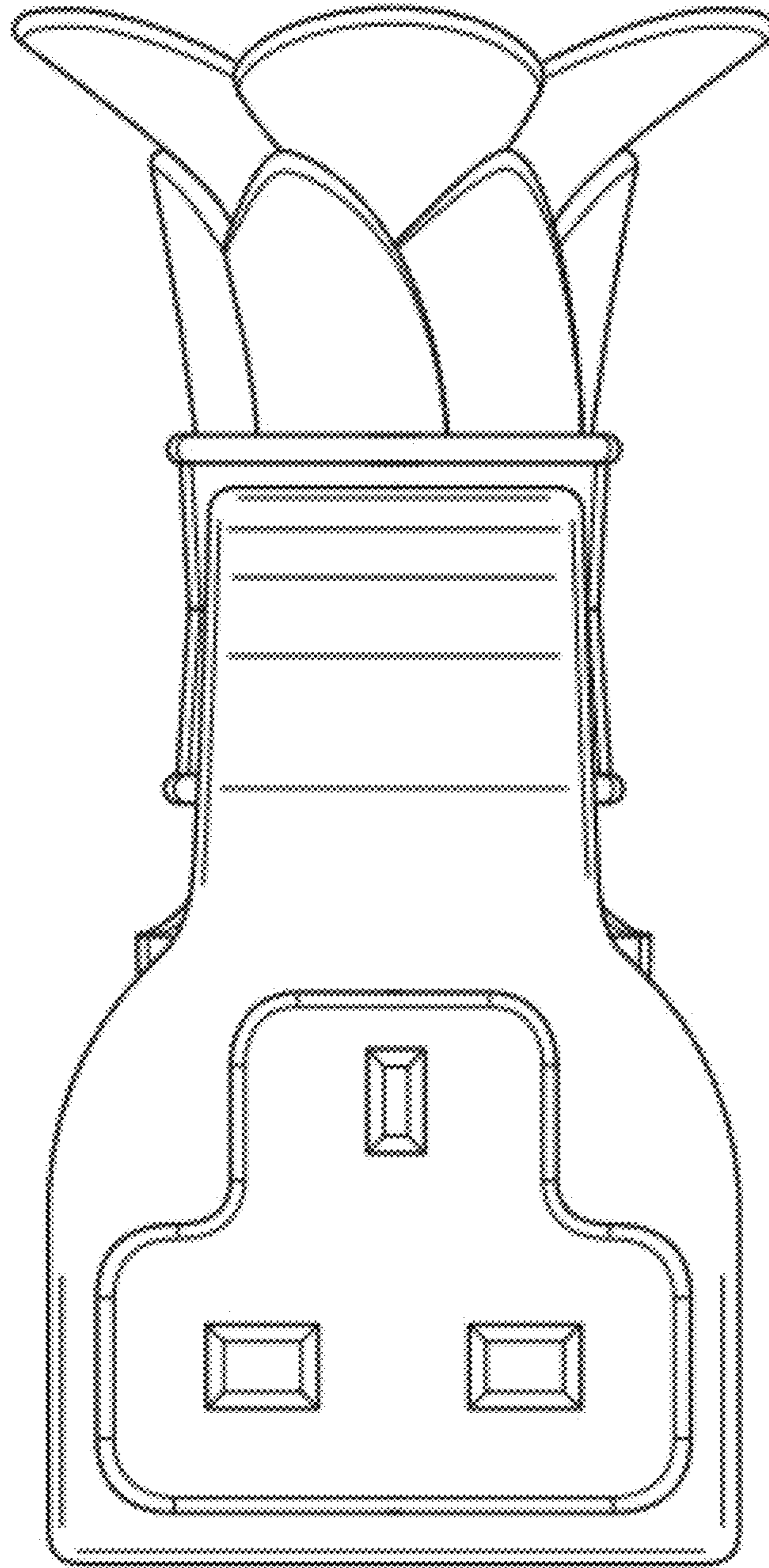


FIG. 10

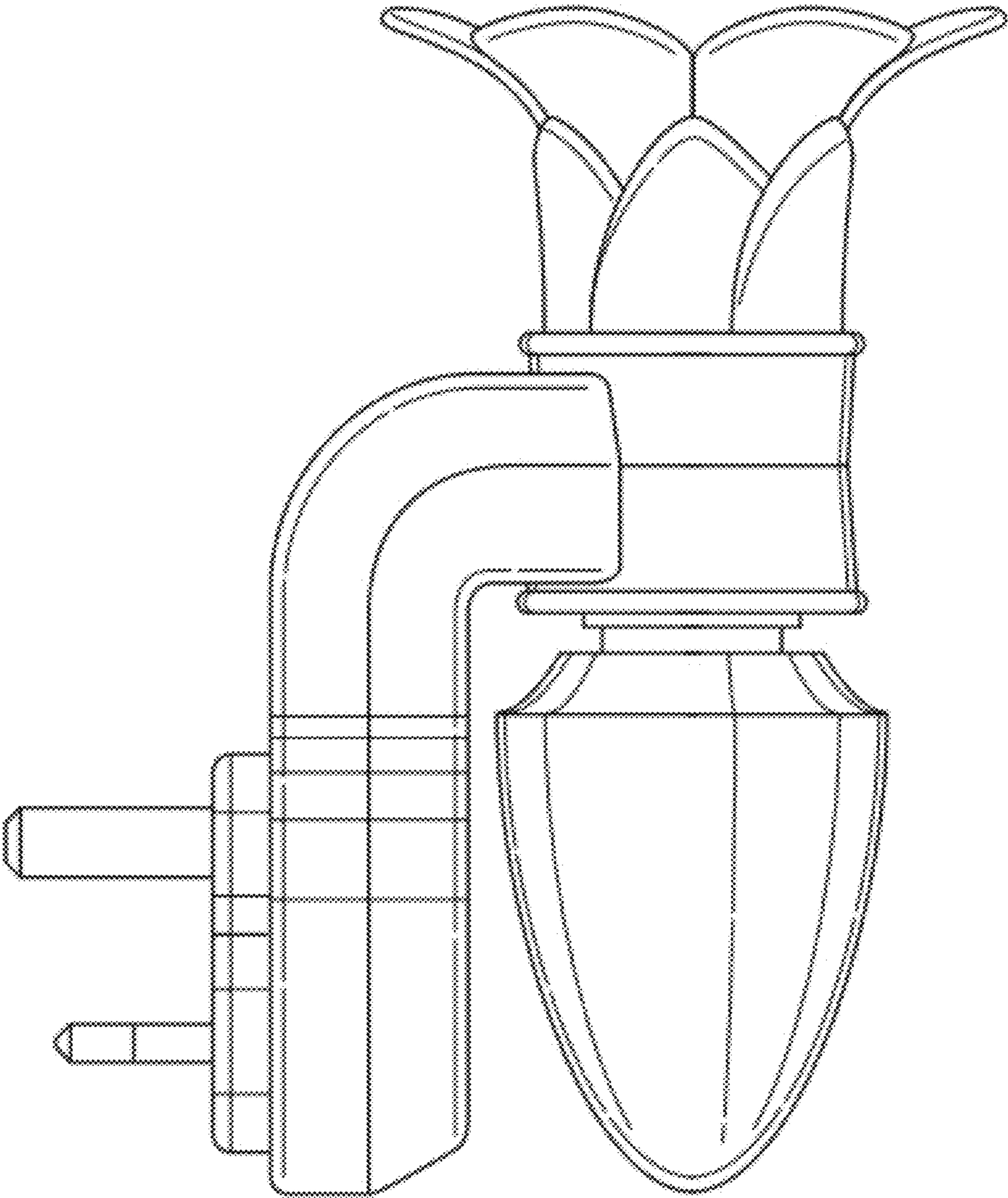


FIG. 11

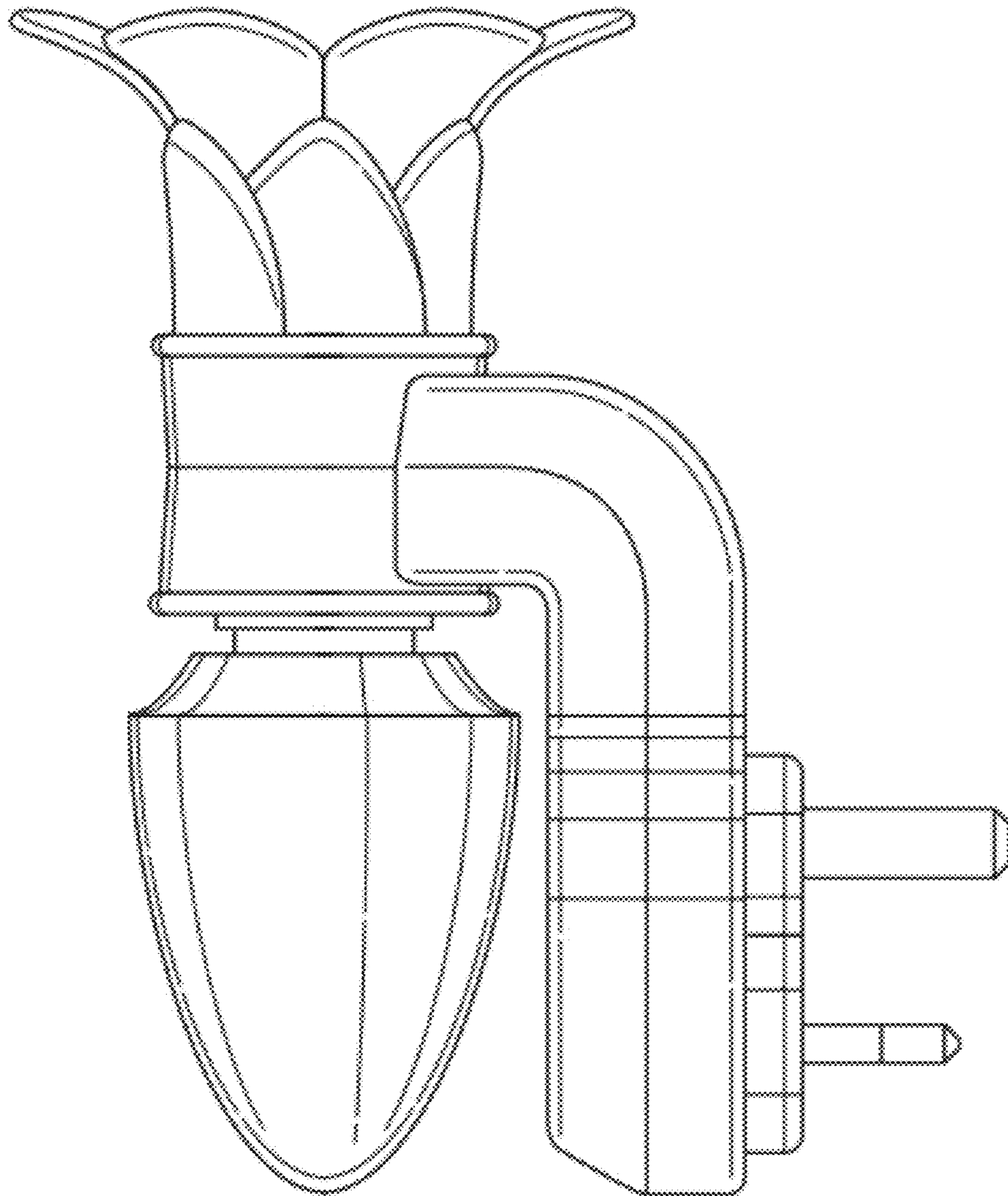


FIG. 12

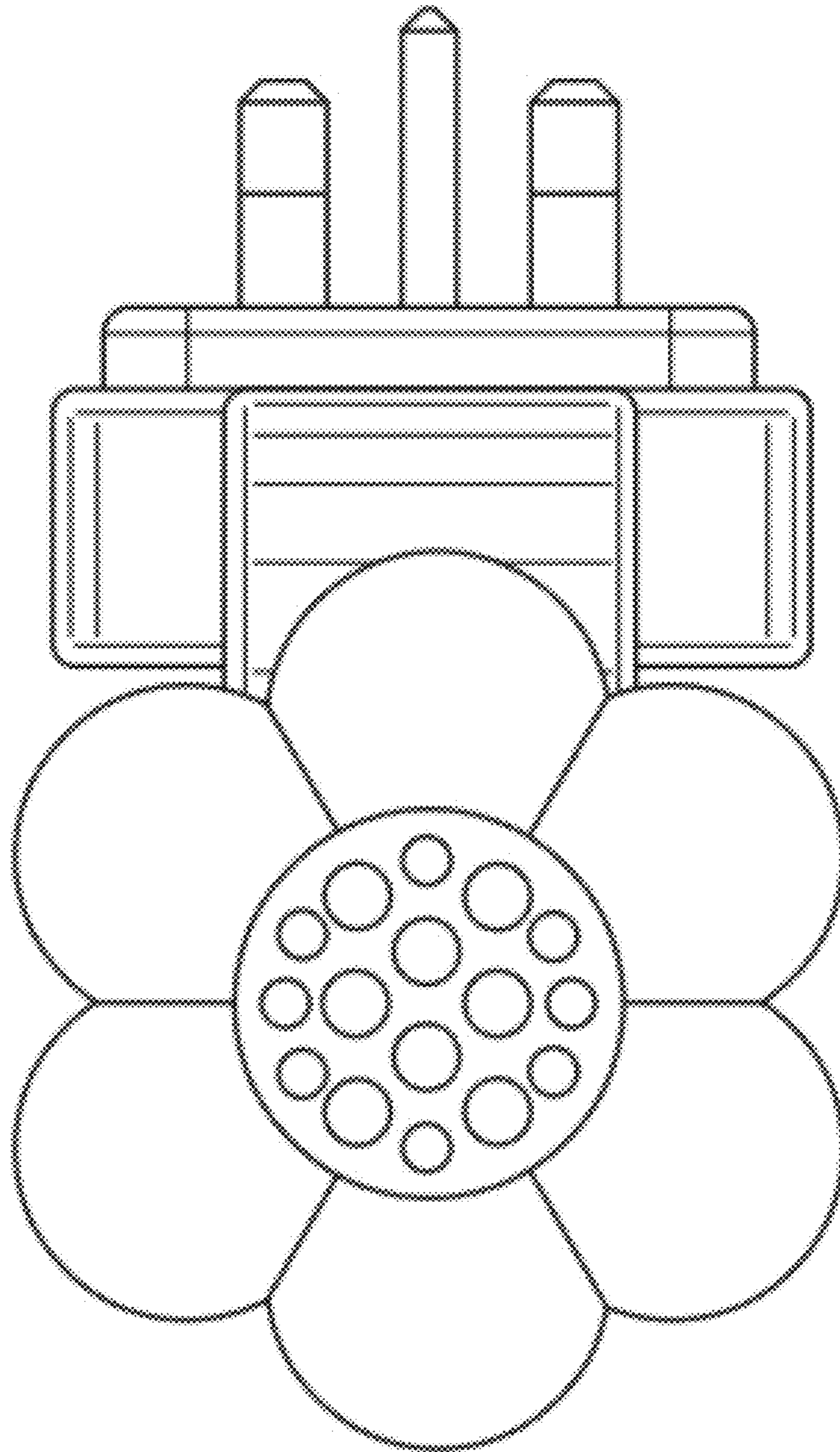


FIG. 13

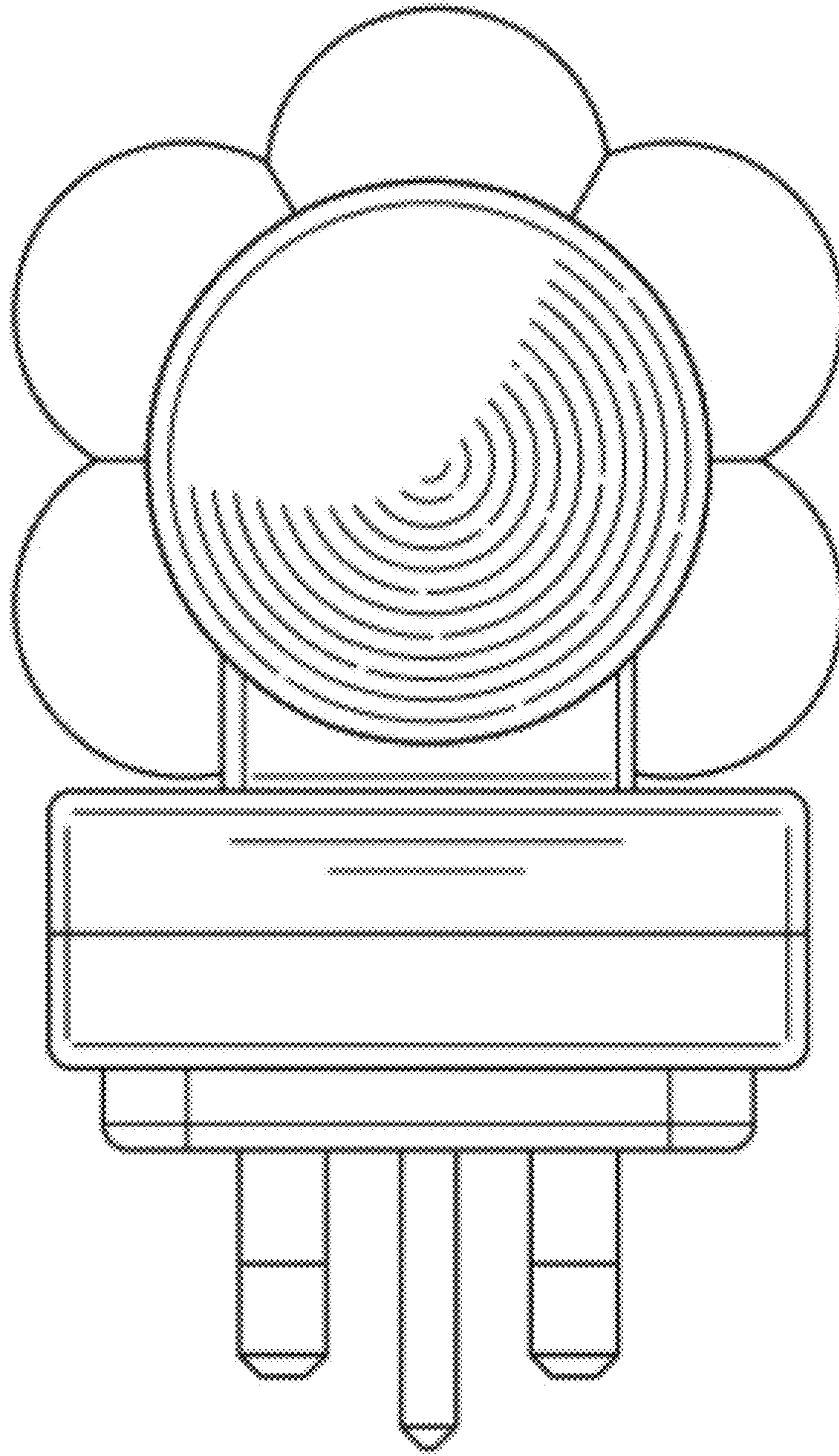


FIG. 14