



US00D657035S

(12) **United States Design Patent**
Chouji

(10) **Patent No.:** **US D657,035 S**

(45) **Date of Patent:** **** Apr. 3, 2012**

(54) **AIR CONDITIONER**

(75) Inventor: **Masahiko Chouji**, Kusatsu (JP)

(73) Assignee: **Daikin Industries Ltd.**, Osaka-Shi,
Osaka (JP)

(**) Term: **14 Years**

(21) Appl. No.: **29/371,719**

(22) Filed: **Jul. 25, 2011**

(51) **LOC (9) Cl.** **23-04**

(52) **U.S. Cl.** **D23/351**

(58) **Field of Classification Search** D23/351-354,
D23/385, 355, 357, 361; 312/236; 62/259.1,
62/259.4, 262-263, 304; 454/330-331, 349-350
See application file for complete search history.

(56) **References Cited**

U.S. PATENT DOCUMENTS

D632,769 S	*	2/2011	Seki	D23/351
D642,250 S	*	7/2011	Chouji	D23/351
D642,251 S	*	7/2011	Seki	D23/351
D648,014 S	*	11/2011	Baek et al.	D23/351

D648,015 S * 11/2011 Baek et al. D23/351
* cited by examiner

Primary Examiner — Brian N Vinson

(74) *Attorney, Agent, or Firm* — Manabu Kanesaka

(57) **CLAIM**

The ornamental design for an air conditioner, as shown and described.

DESCRIPTION

FIG. 1 is a perspective view of an air conditioner showing my new design;
FIG. 2 is a front view thereof;
FIG. 3 is a rear view thereof;
FIG. 4 is a plan view thereof;
FIG. 5 is a bottom view thereof;
FIG. 6 is a left side view thereof;
FIG. 7 is a right-side view thereof; and,
FIG. 8 is a cross-sectional view thereof taken along line 8-8 in FIG. 2.

The broken lines depict portions of the air conditioner that form no part of claimed design.

1 Claim, 5 Drawing Sheets

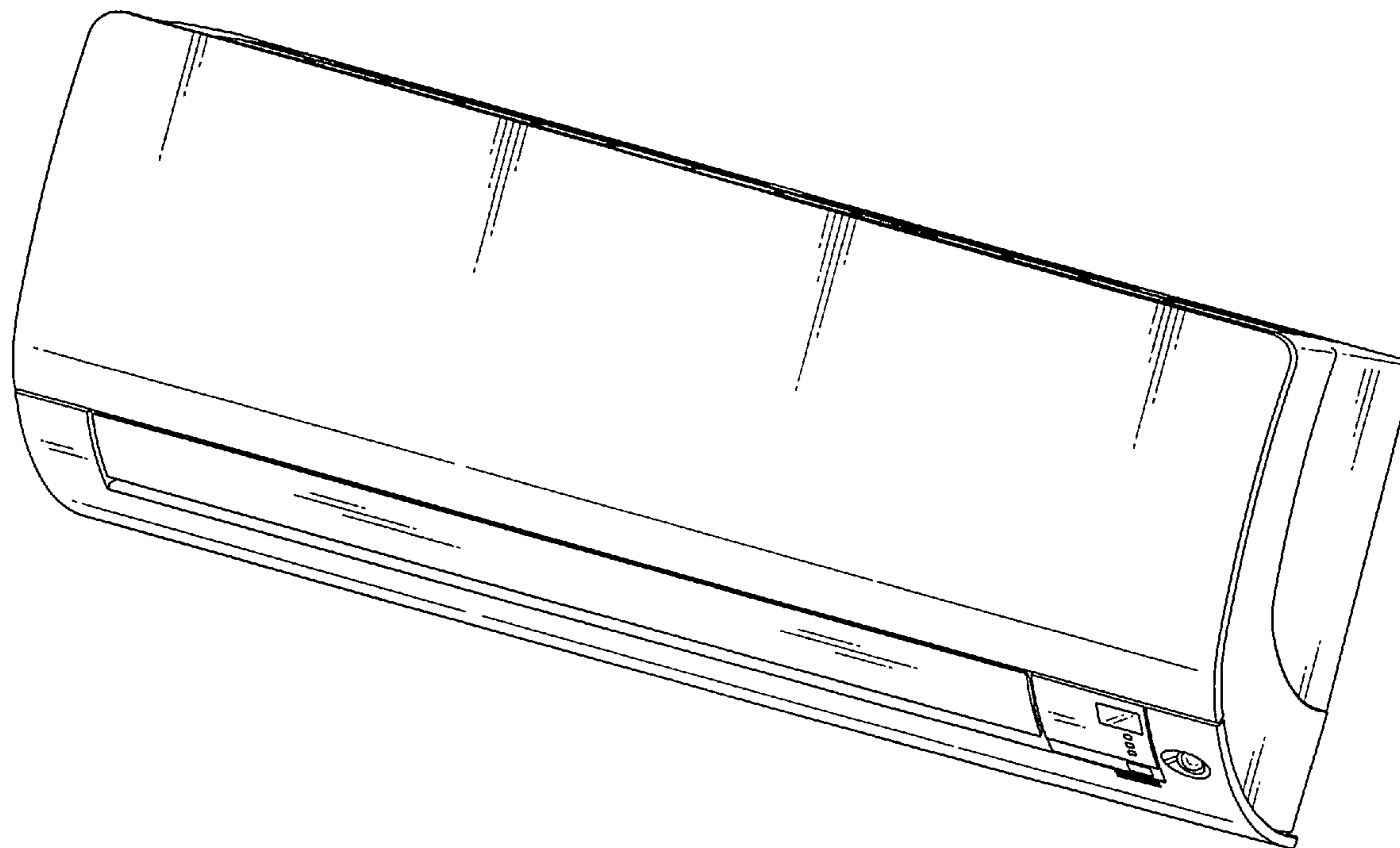


Fig. 1

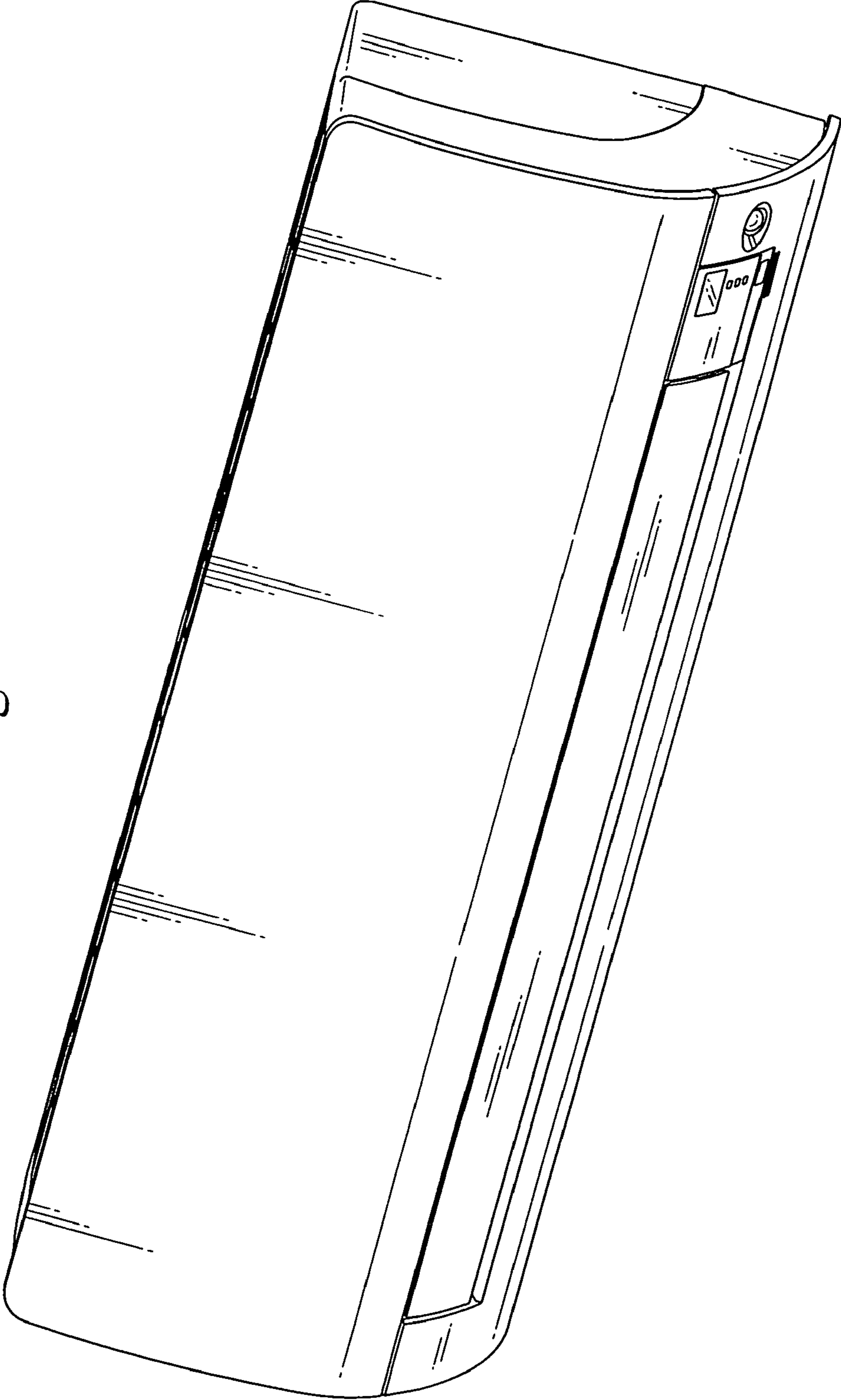


Fig. 2

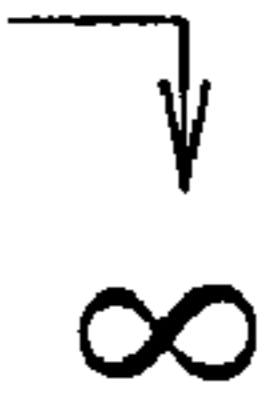
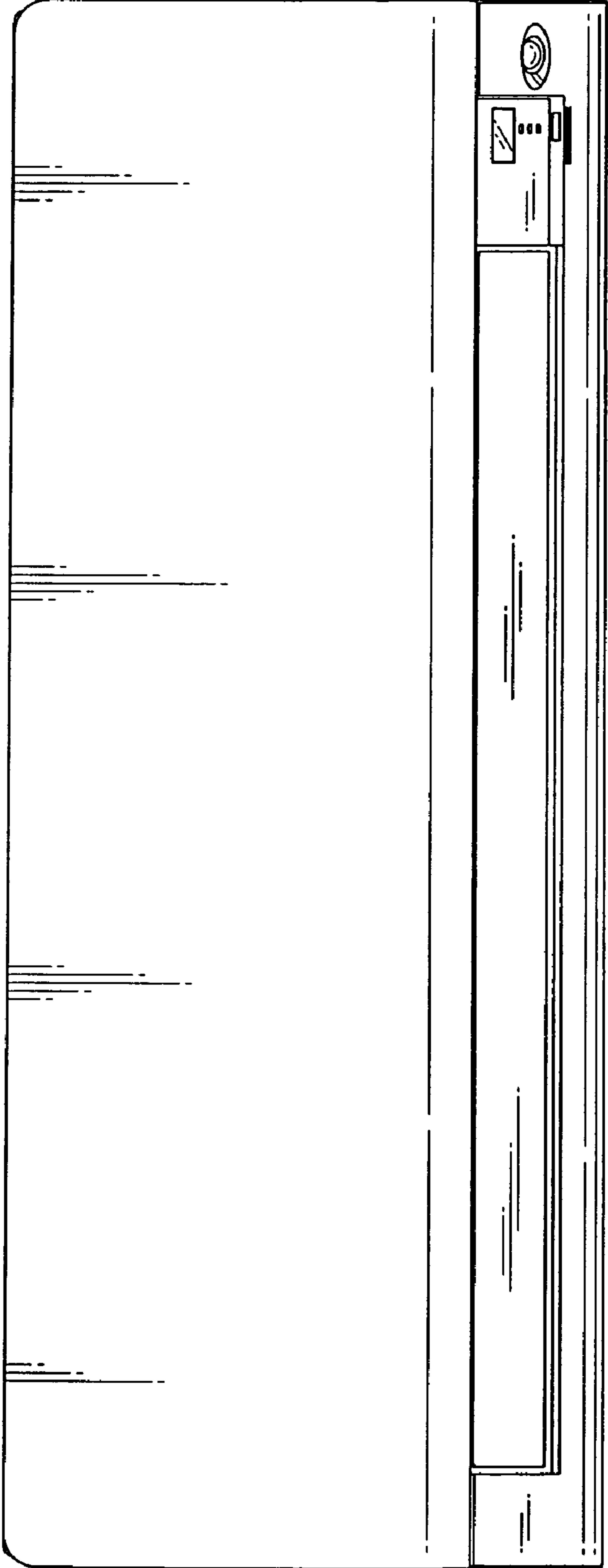


Fig. 3

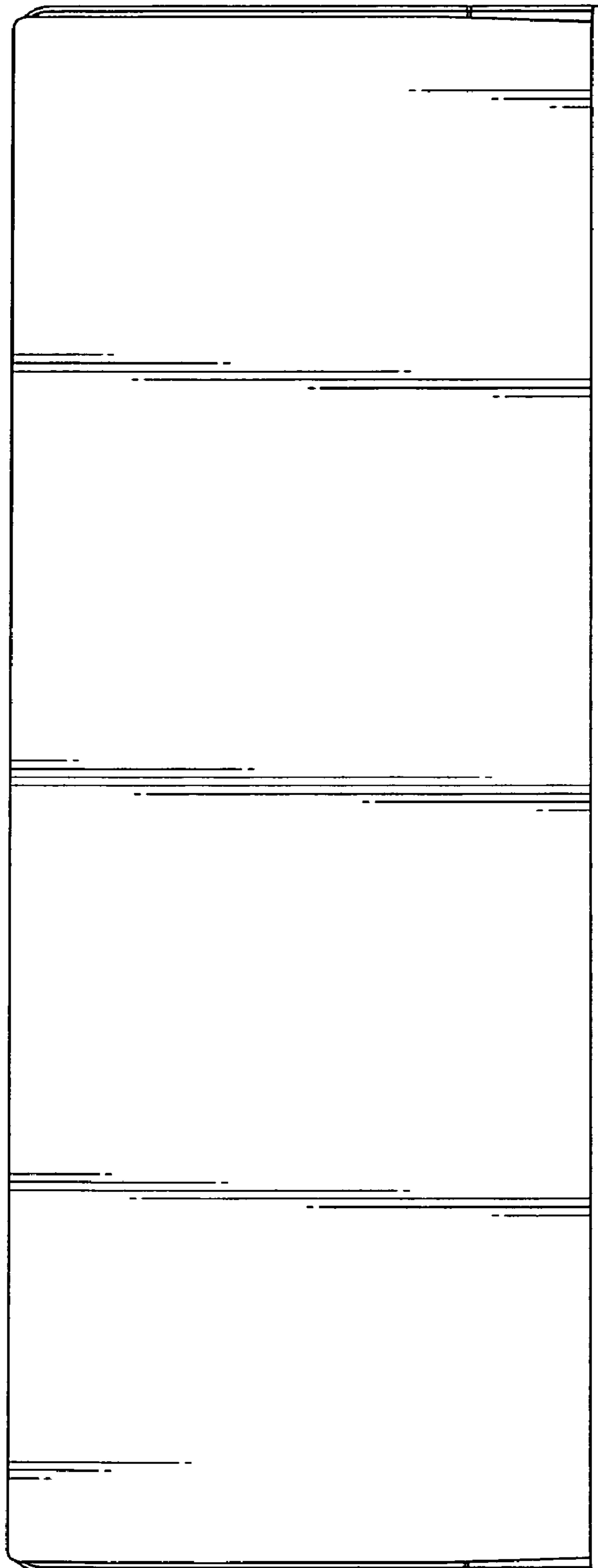


Fig. 4

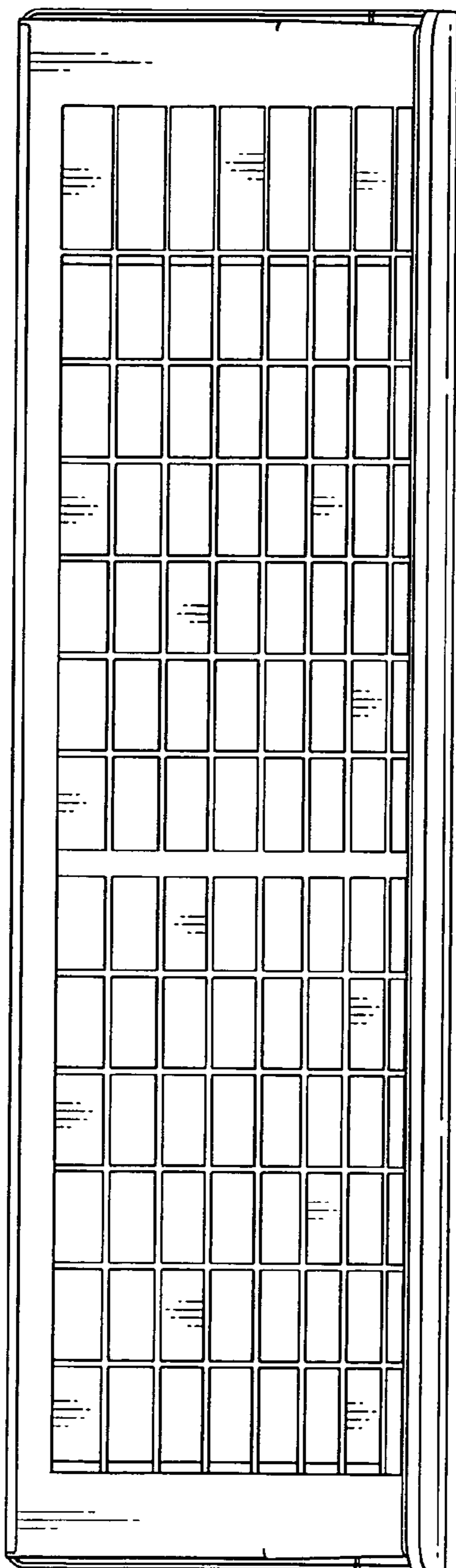


Fig. 5

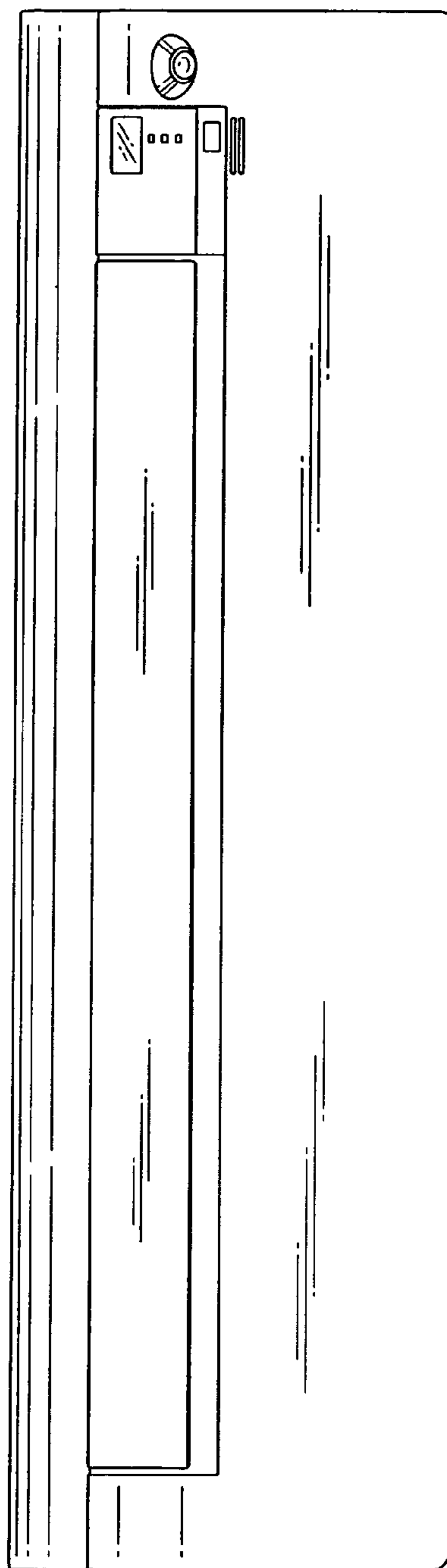


Fig. 8

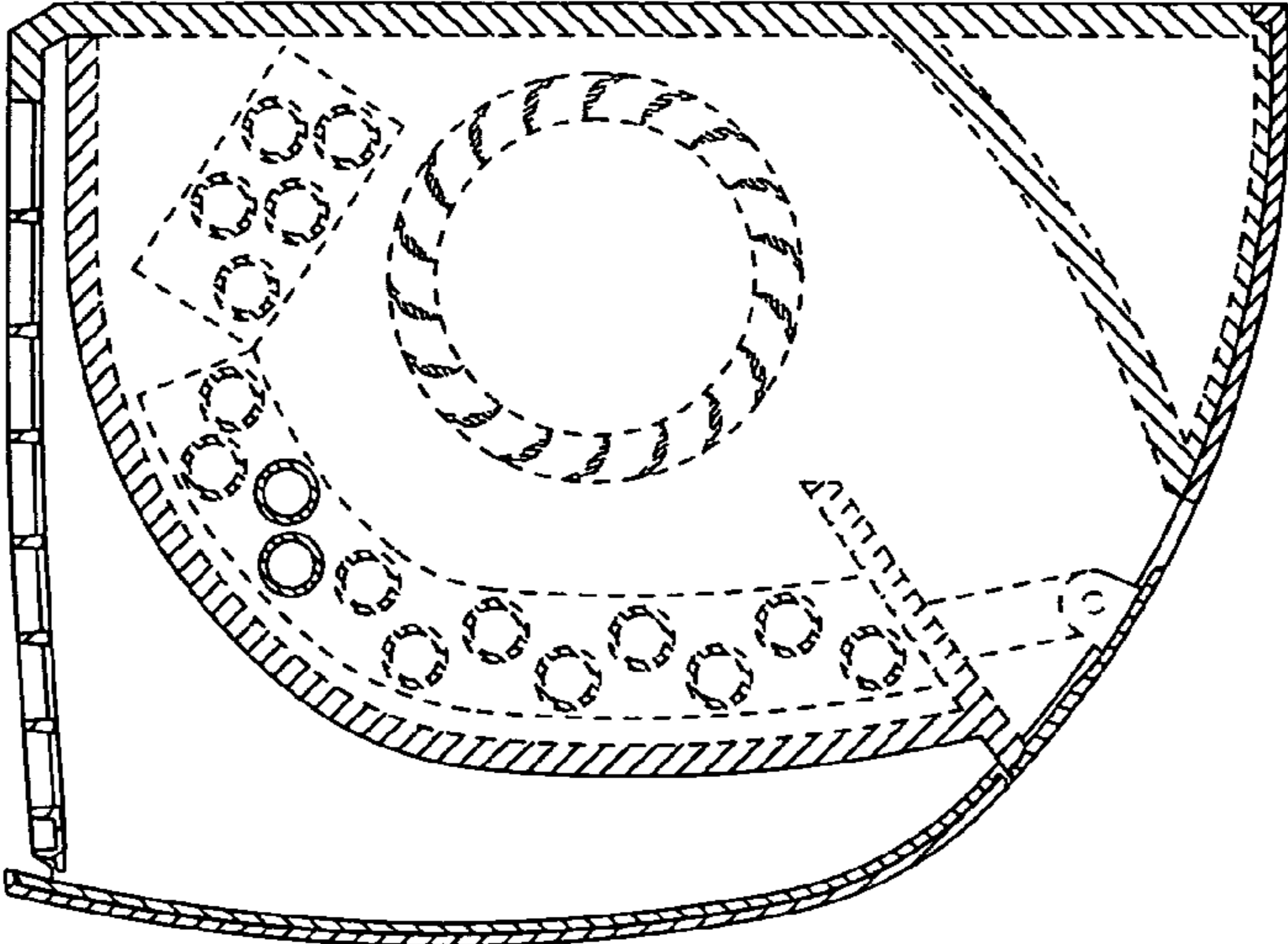


Fig. 7

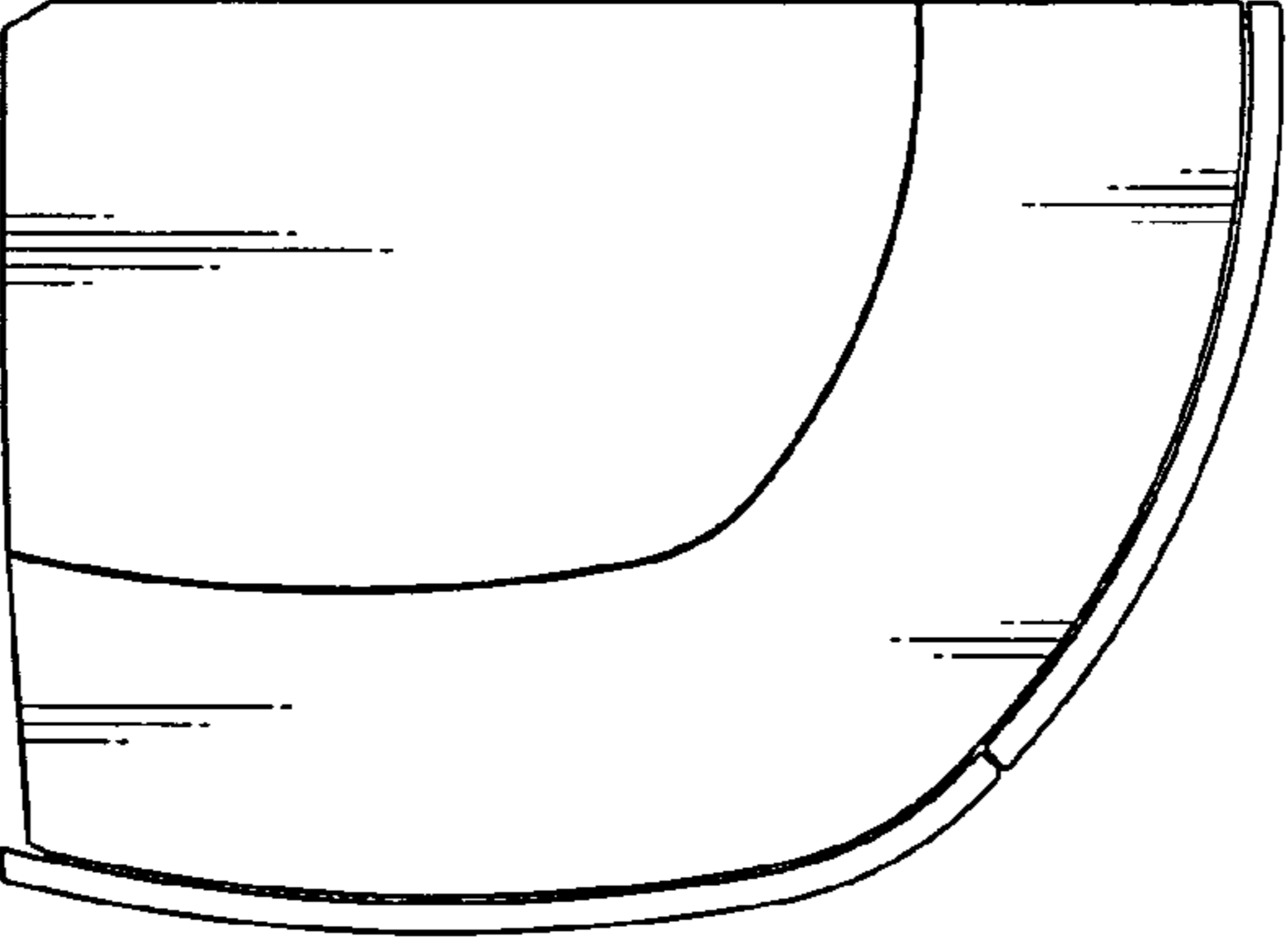


Fig. 6

