



US00D657030S

(12) **United States Design Patent**  
**Bates**

(10) **Patent No.:** **US D657,030 S**

(45) **Date of Patent:** **\*\* Apr. 3, 2012**

(54) **PLUMBING FIXTURE**

(75) Inventor: **Michael R. Bates**, Sheboygan, WI (US)

(73) Assignee: **Kohler Co.**, Kohler, WI (US)

(\*\*) Term: **14 Years**

(21) Appl. No.: **29/404,197**

(22) Filed: **Oct. 17, 2011**

**Related U.S. Application Data**

(60) Continuation of application No. 29/391,335, filed on May 6, 2011, now Pat. No. Des. 647,184, which is a division of application No. 29/357,733, filed on Mar. 16, 2010, now Pat. No. Des. 639,918.

(51) **LOC (9) Cl.** ..... **23-02**

(52) **U.S. Cl.** ..... **D23/309**

(58) **Field of Classification Search** ..... D23/295,  
D23/301, 303, 309, 313; 4/300, 329, 353  
See application file for complete search history.

(56) **References Cited**

**U.S. PATENT DOCUMENTS**

D621,013 S \* 8/2010 Bucher ..... D23/301

D621,488 S \* 8/2010 Bucher ..... D23/301

\* cited by examiner

*Primary Examiner* — Robert A Delehanty

(74) *Attorney, Agent, or Firm* — Foley & Lardner LLP

(57) **CLAIM**

I claim the ornamental design for a plumbing fixture, as shown and described.

**DESCRIPTION**

FIG. 1 is a left, top, front perspective view of a plumbing fixture embodying the new design;  
FIG. 2 is a top plan view thereof;  
FIG. 3 is a front elevational view thereof;  
FIG. 4 is a left side elevational view thereof;  
FIG. 5 is a right side elevational view thereof;  
FIG. 6 is a rear elevational view thereof; and,  
FIG. 7 is a bottom plan view thereof.

The ornamental design which is claimed is shown in solid lines in the drawings. The broken lines in the drawings are for illustrative purposes only and form no part of the claimed design. The dot-dash lines in the drawings define boundaries of the claimed design and form no part thereof.

**1 Claim, 4 Drawing Sheets**

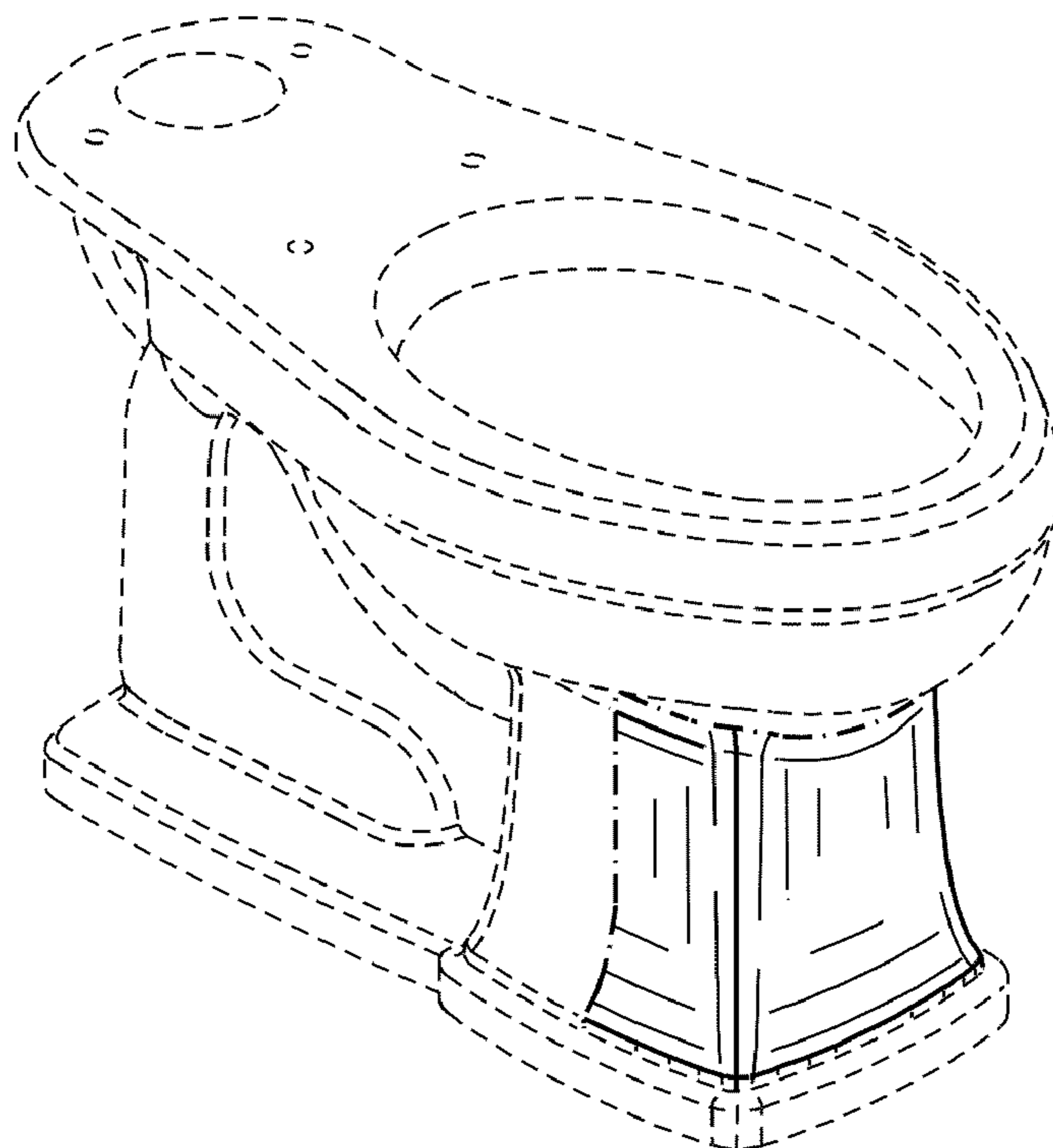


FIG. 1

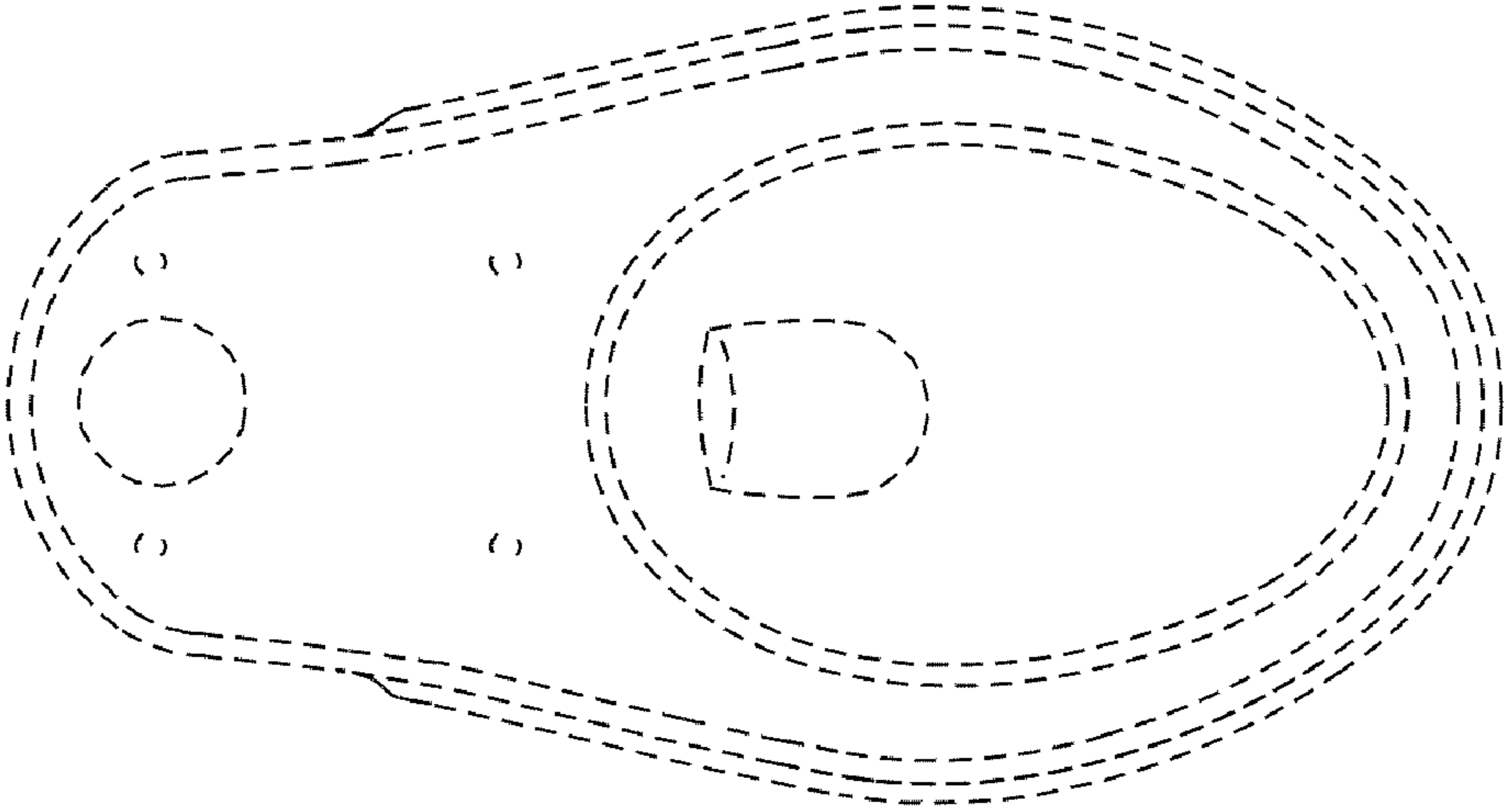
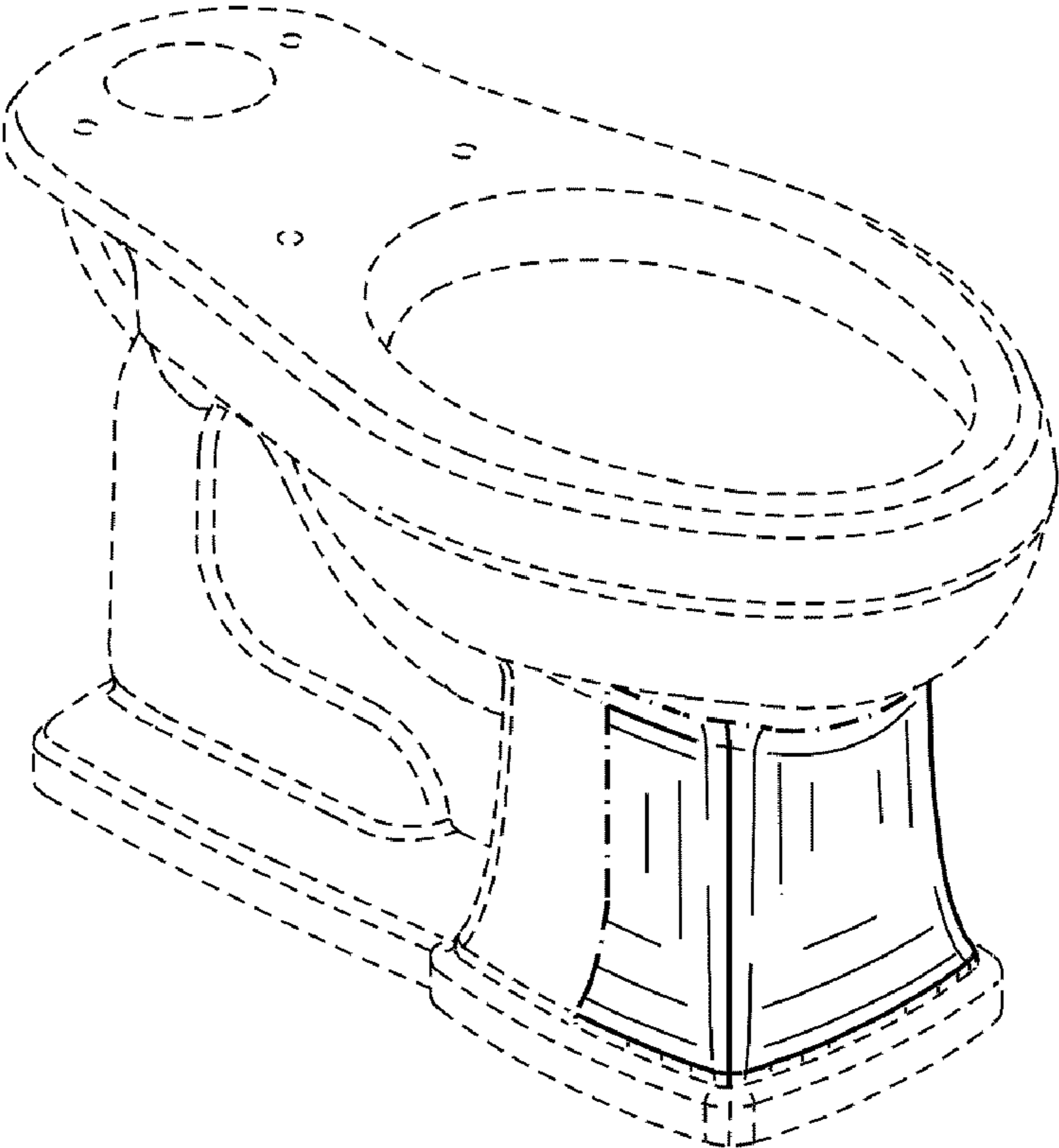


FIG. 2

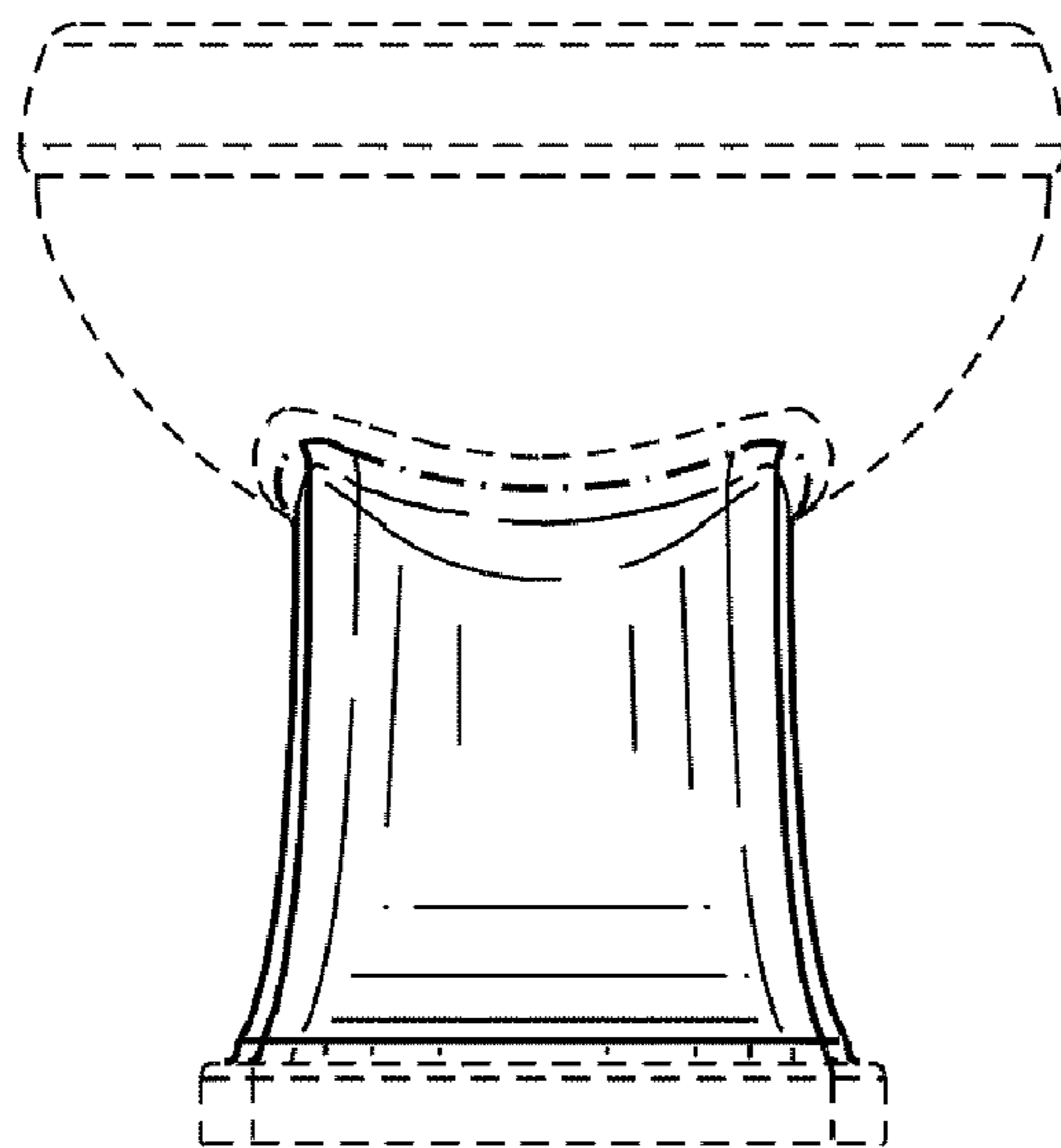


FIG. 3

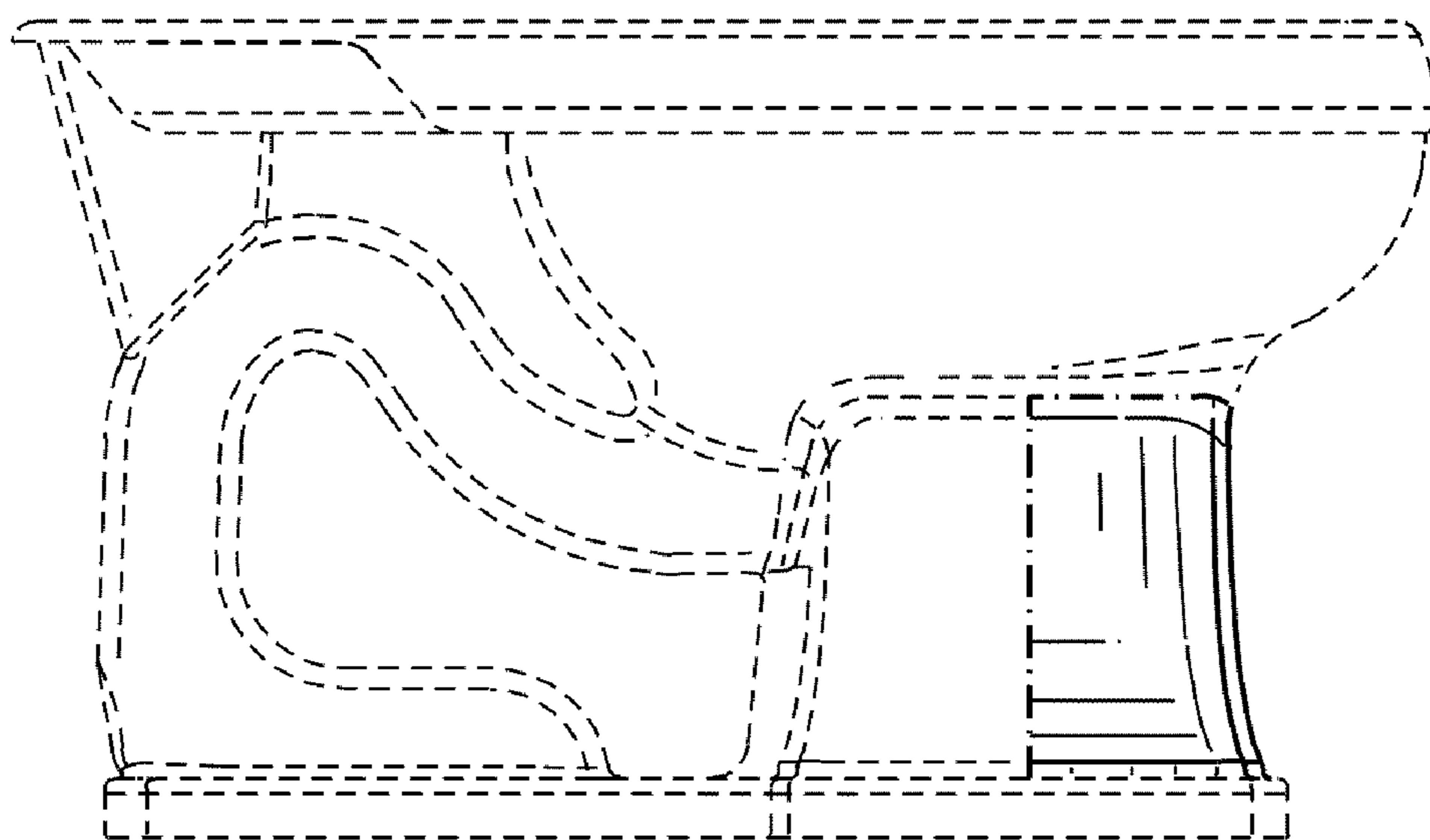


FIG. 4

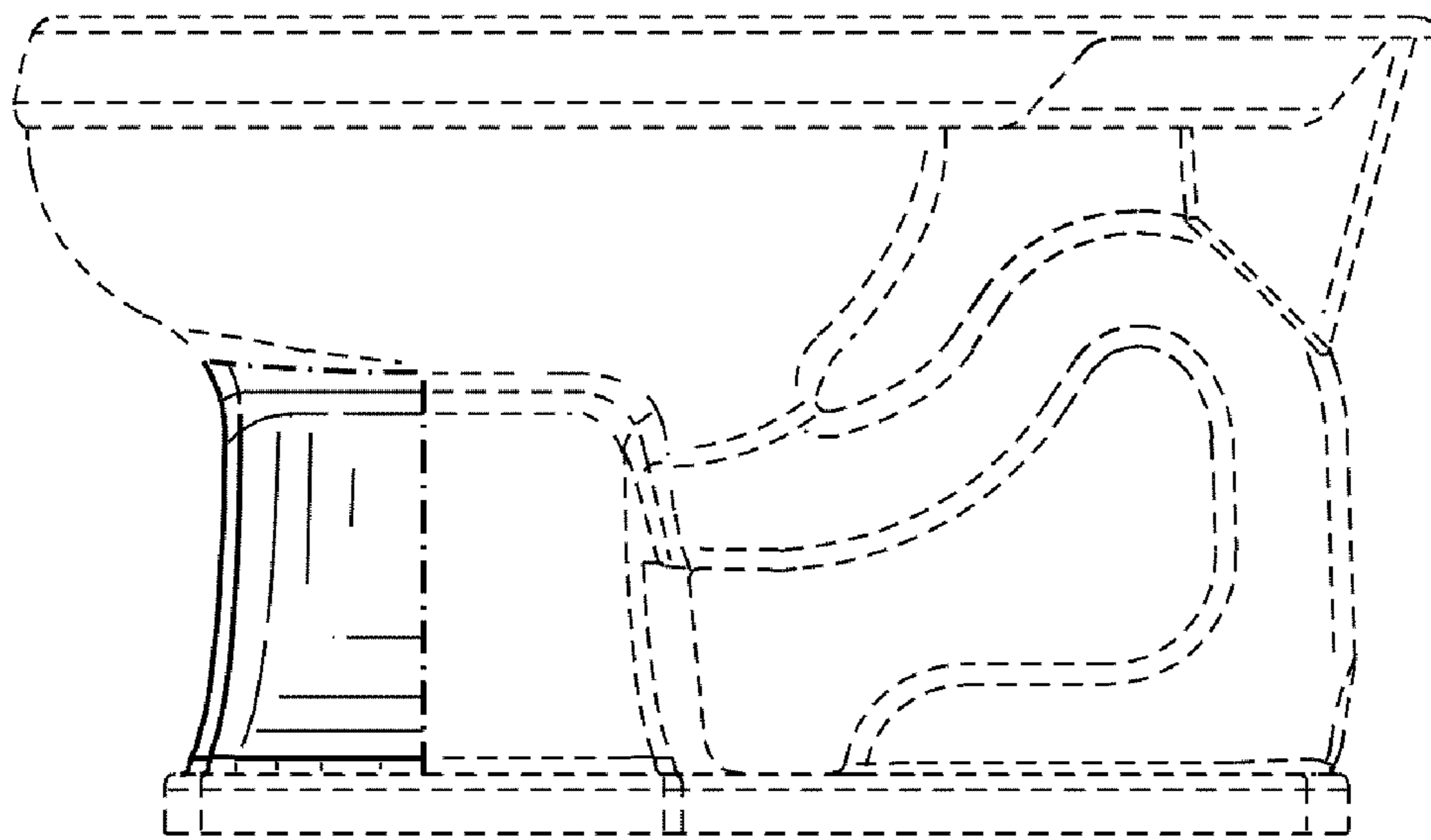


FIG. 5

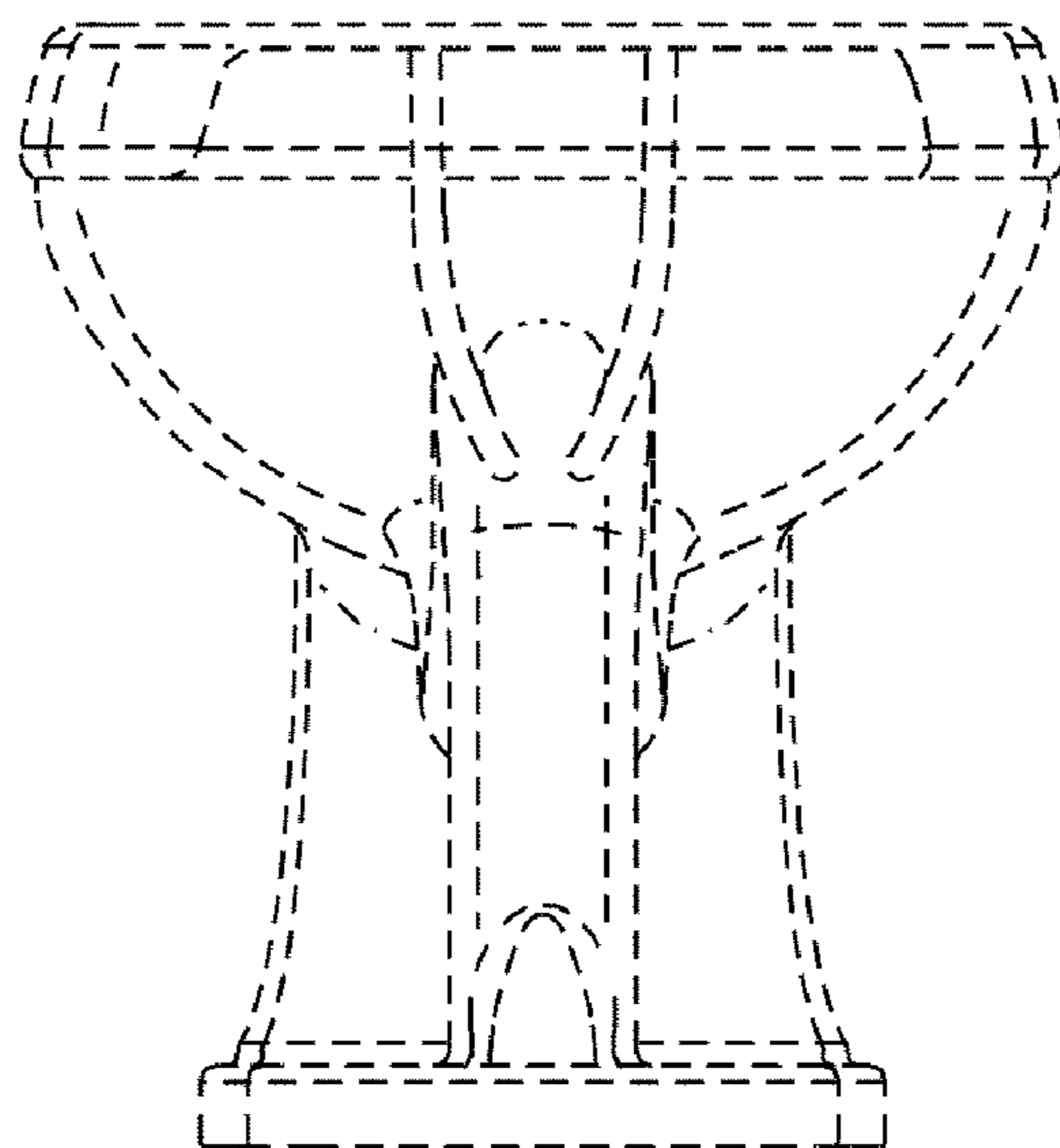


FIG. 6

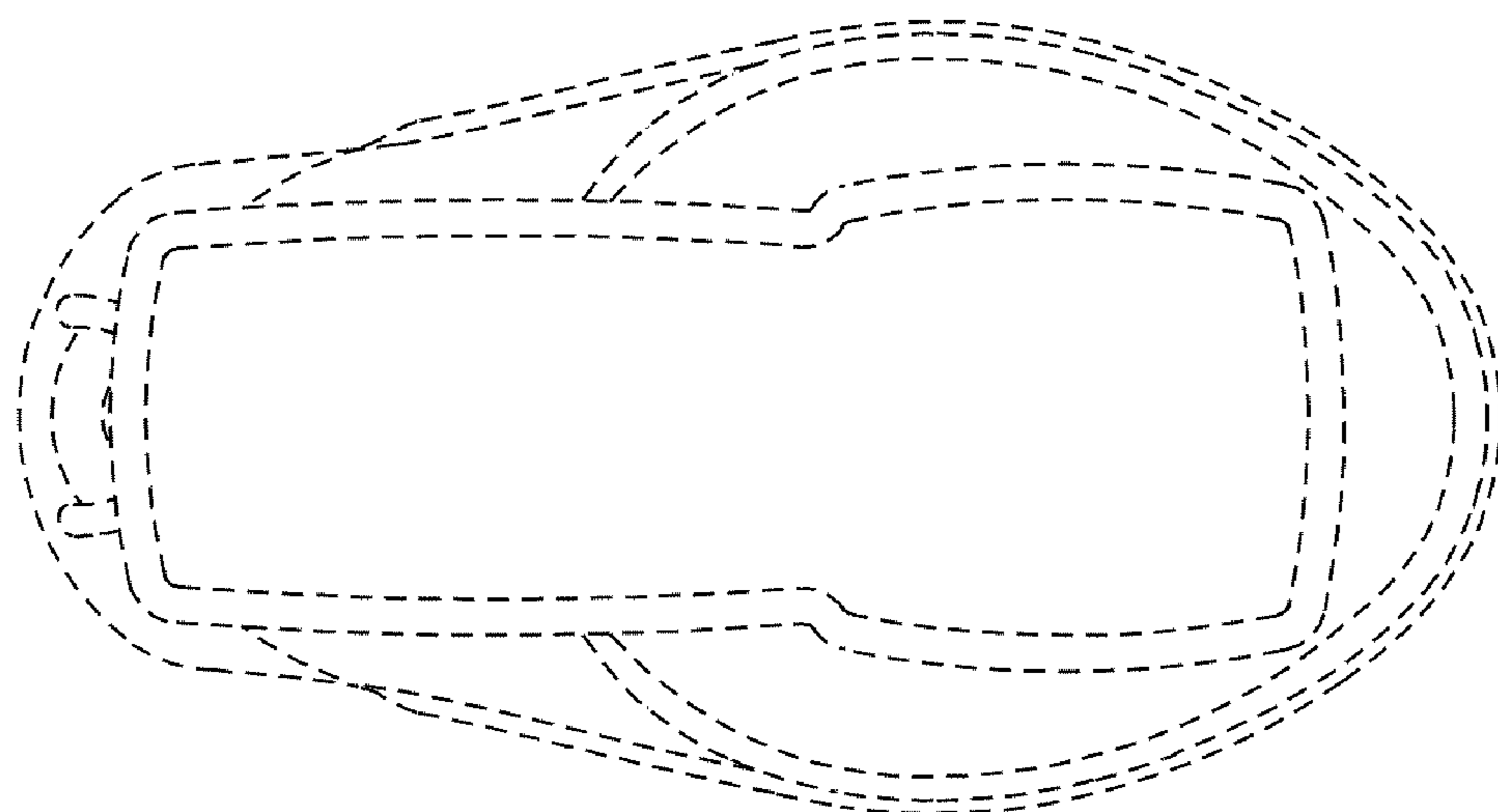


FIG. 7