



US00D657029S

(12) **United States Design Patent**  
**de Giulio**

(10) **Patent No.:** **US D657,029 S**  
(45) **Date of Patent:** **\*\* Apr. 3, 2012**

(54) **KITCHEN SINK**

**DESCRIPTION**

- (75) Inventor: **Michael R. de Giulio**, Kenilworth, IL (US)
- (73) Assignee: **Kohler Co.**, Kohler, WI (US)
- (\*\*) Term: **14 Years**
- (21) Appl. No.: **29/390,258**
- (22) Filed: **Apr. 21, 2011**
- (51) **LOC (9) Cl.** ..... **23-02**
- (52) **U.S. Cl.** ..... **D23/284**
- (58) **Field of Classification Search** ..... D23/284,  
D23/290-292, 293.1, 303, 308; 4/619, 639-640  
See application file for complete search history.

(56) **References Cited**

U.S. PATENT DOCUMENTS

D507,041 S *	7/2005	Douglass et al.	.....	D23/291
D538,906 S *	3/2007	Stein	.....	D23/293.1
D573,701 S *	7/2008	Rachiele	.....	D23/284
D622,826 S *	8/2010	Helmer	.....	D23/293.1

\* cited by examiner

*Primary Examiner* — Robert Delehanty

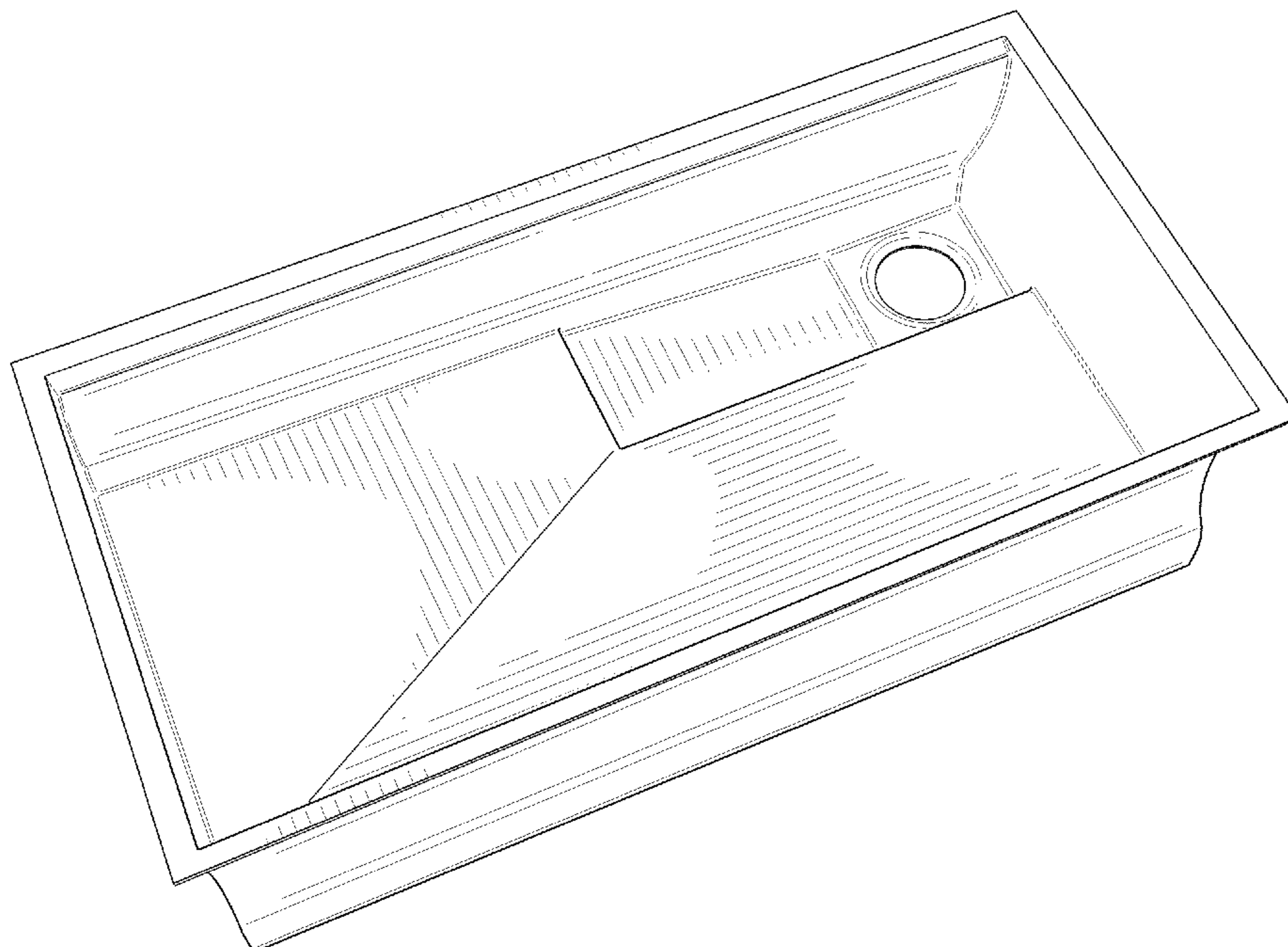
(74) *Attorney, Agent, or Firm* — Foley & Lardner LLP

(57) **CLAIM**

We claim the ornamental design for a kitchen sink, as shown and described.

FIG. 1 is a top perspective view of an embodiment of the claimed design;  
 FIG. 2 is a top plan view of the claimed design of FIG. 1;  
 FIG. 3 is a bottom plan view of the claimed design of FIG. 1;  
 FIG. 4 is a left-side elevation view of the claimed design of FIG. 1;  
 FIG. 5 is a right-side elevation view of the claimed design of FIG. 1;  
 FIG. 6 is a front elevation view of the claimed design of FIG. 1;  
 FIG. 7 is a rear elevation view of the claimed design of FIG. 1;  
 FIG. 8 is a cross-sectional view of FIG. 6;  
 FIG. 9 is a top perspective view of another embodiment of the claimed design;  
 FIG. 10 is a top plan view of the claimed design of FIG. 9;  
 FIG. 11 is a bottom plan view of the claimed design of FIG. 9;  
 FIG. 12 is a left-side elevation view of the claimed design of FIG. 9;  
 FIG. 13 is a right-side elevation view of the claimed design of FIG. 9;  
 FIG. 14 is a front elevation view of the claimed design of FIG. 9;  
 FIG. 15 is a rear elevation view of the claimed design of FIG. 9; and,  
 FIG. 16 is a cross-sectional view of FIG. 14.  
 The ornamental design which is claimed is shown in solid lines in the drawings. The broken lines in the drawings are for illustrative purposes only and form no part of the claimed design.

**1 Claim, 11 Drawing Sheets**



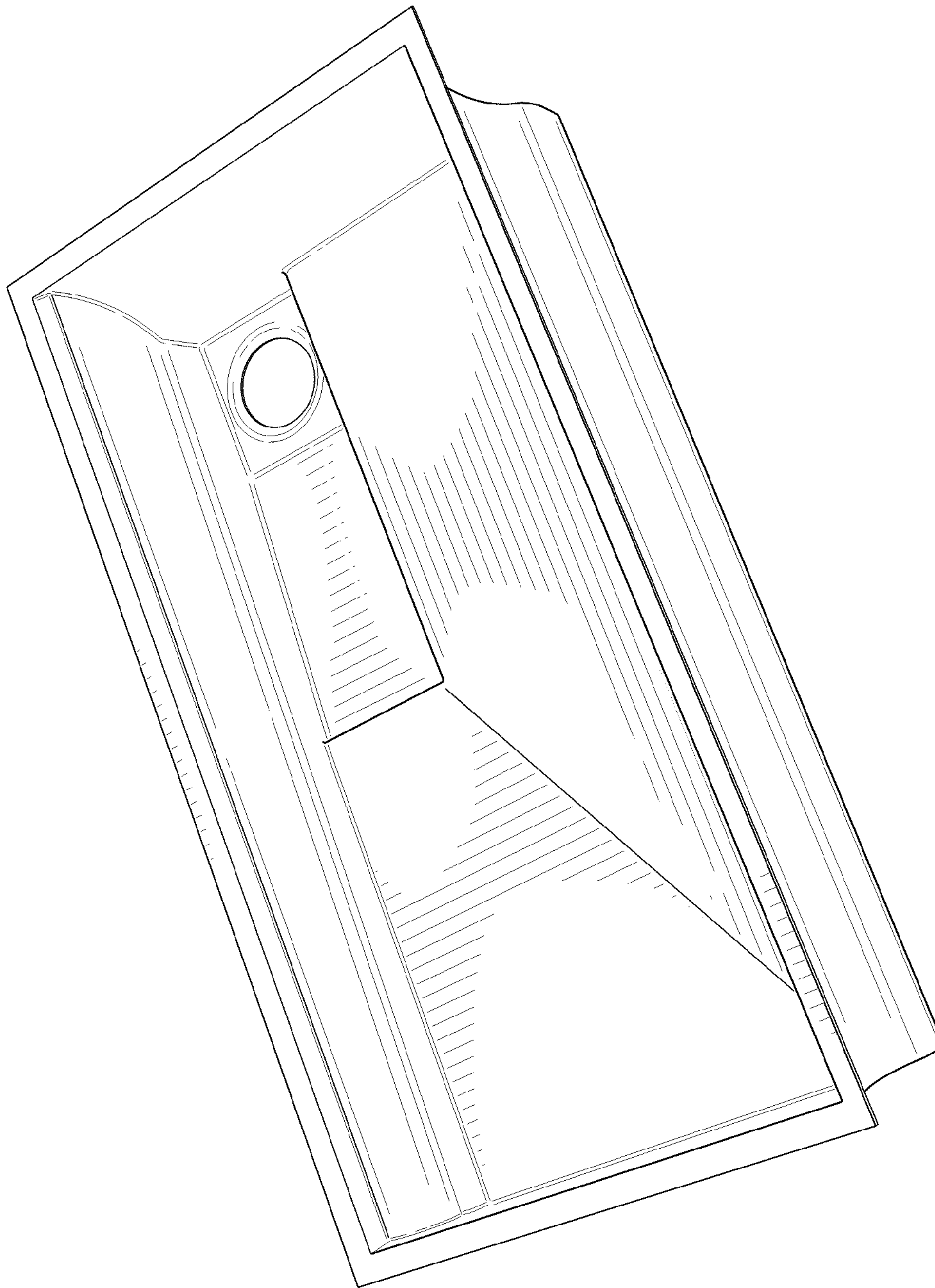


FIG. 1

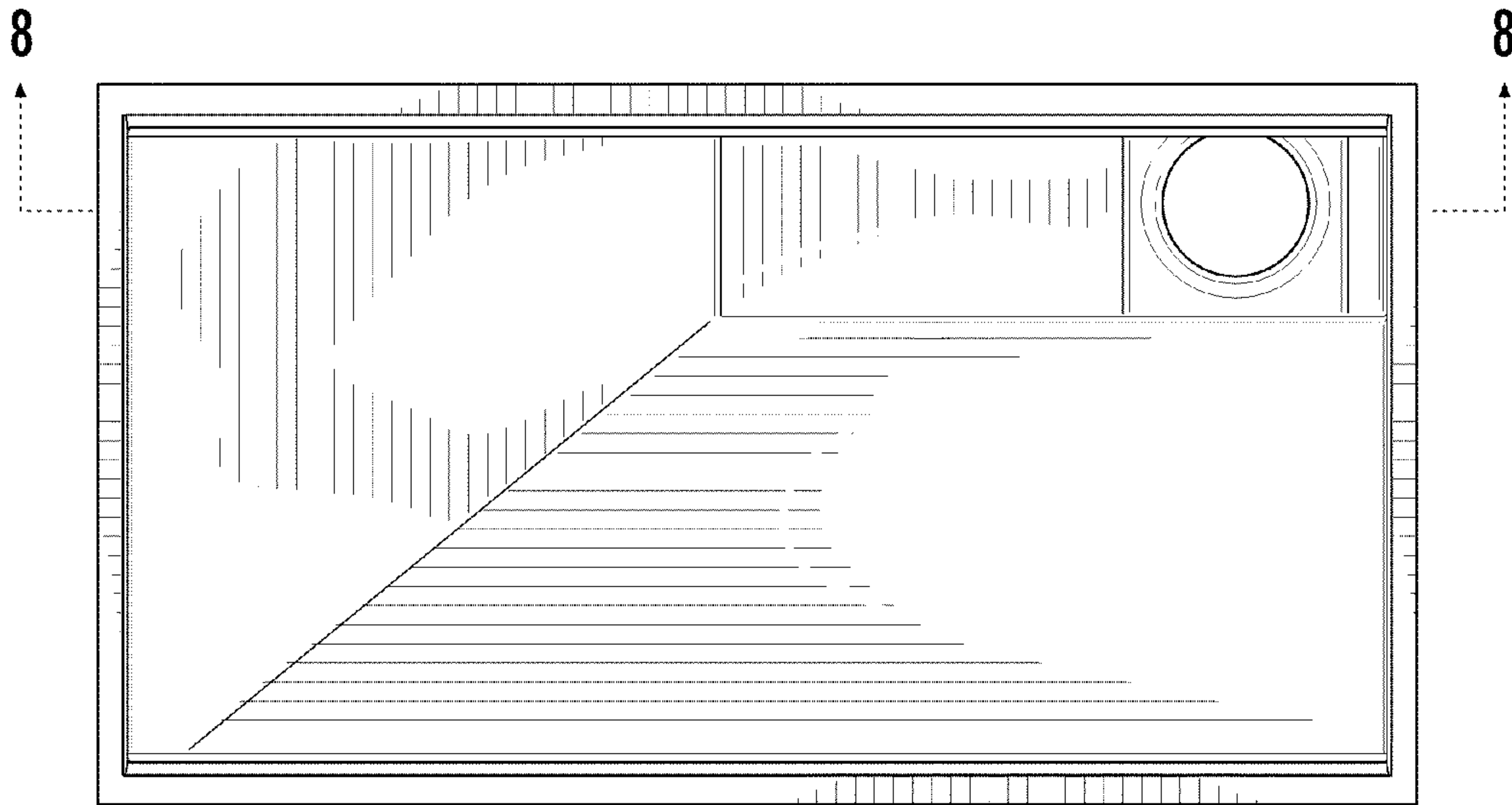


FIG. 2

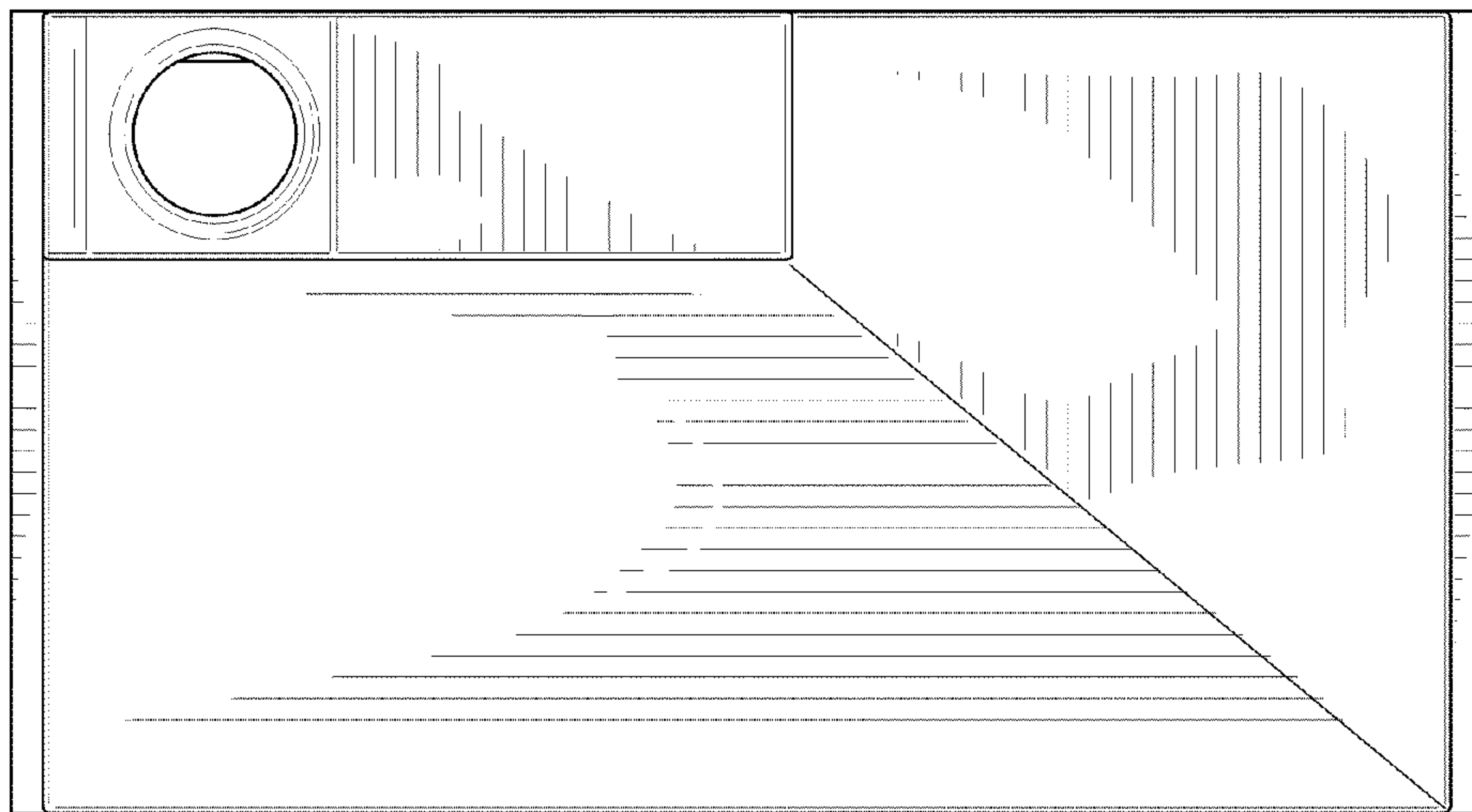
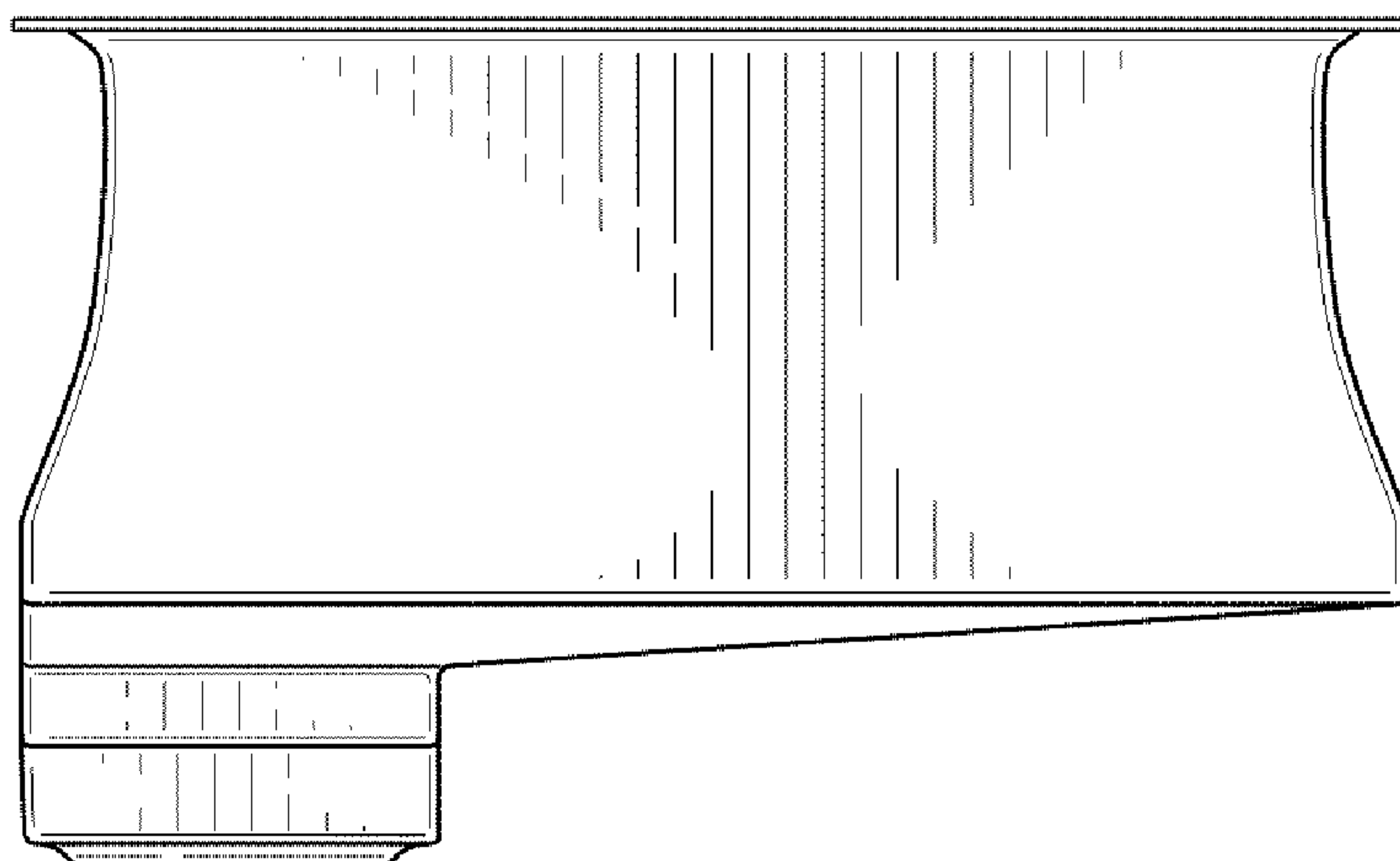
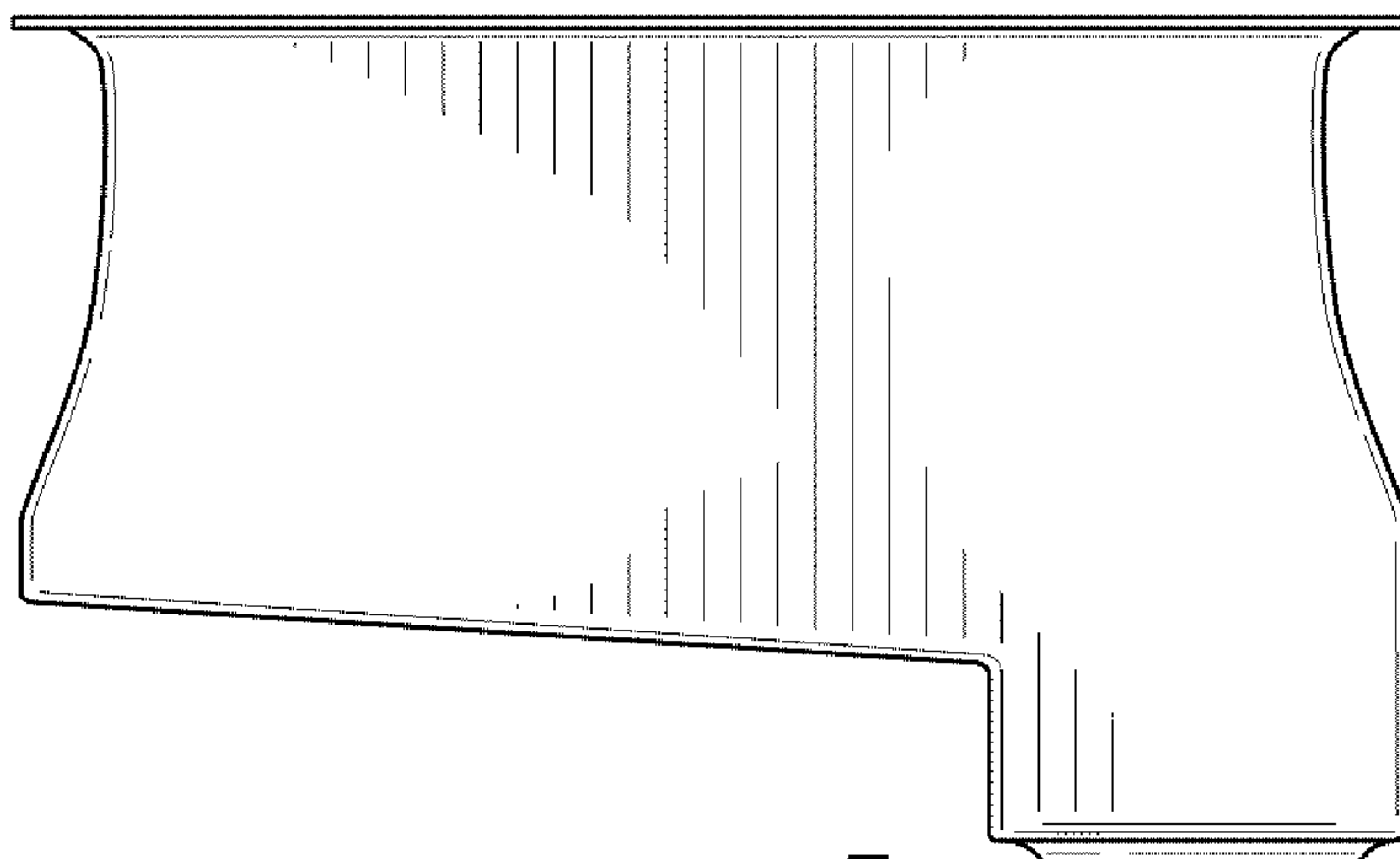


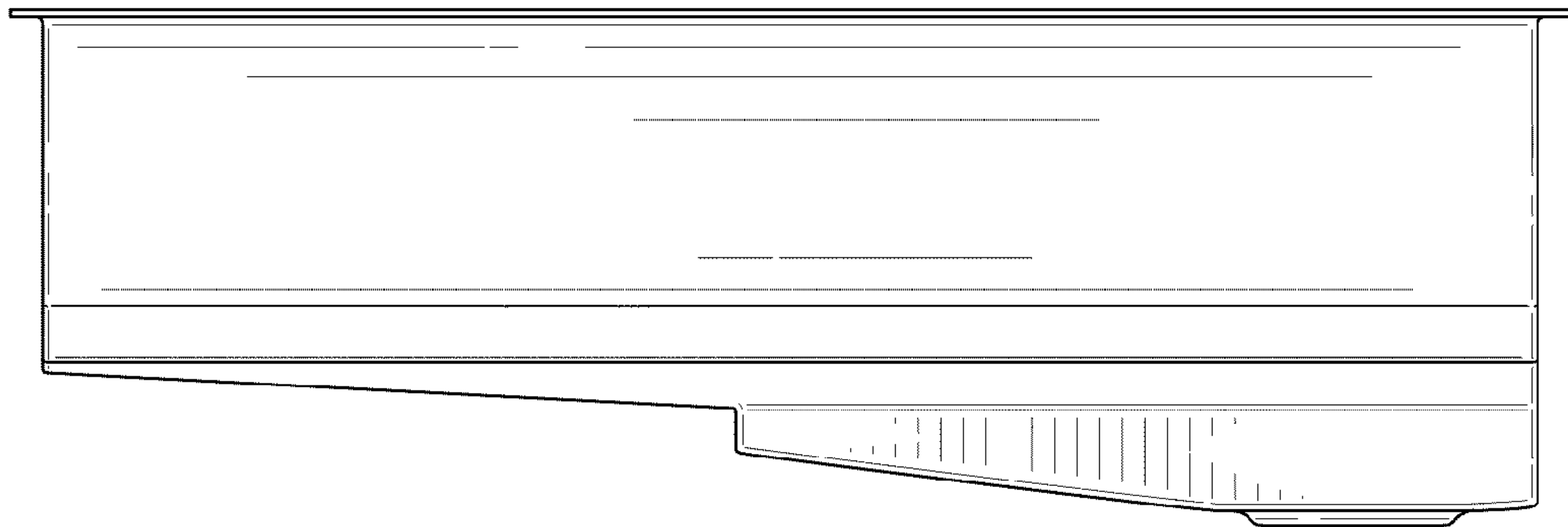
FIG. 3



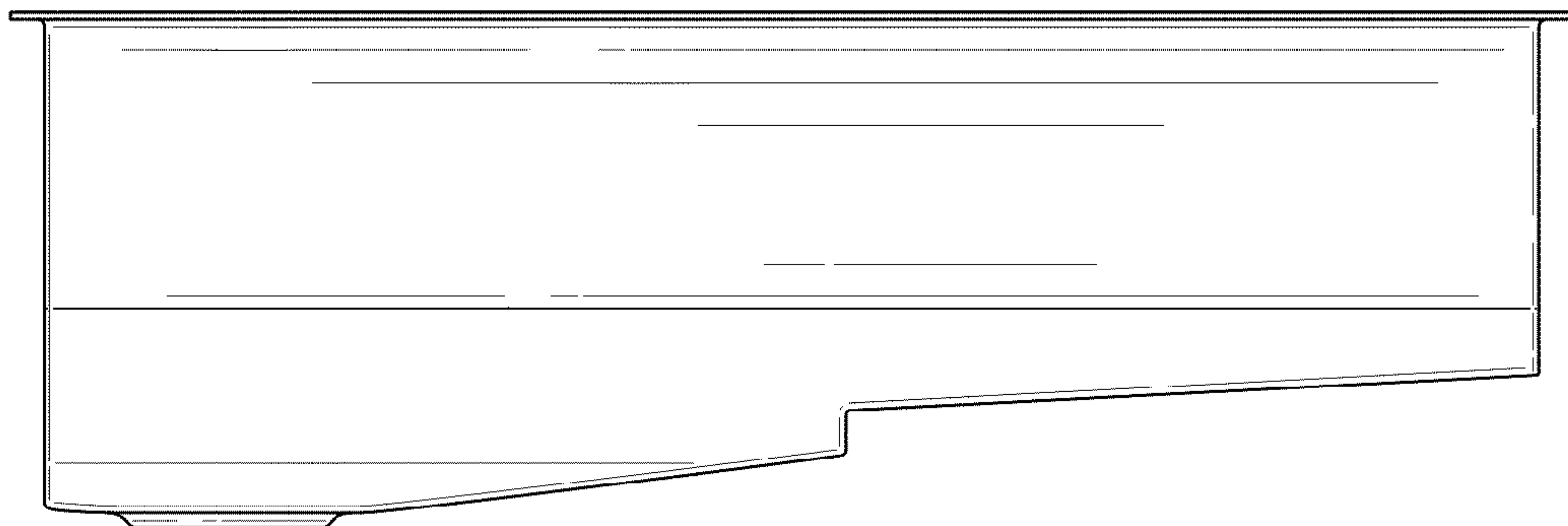
**FIG. 4**



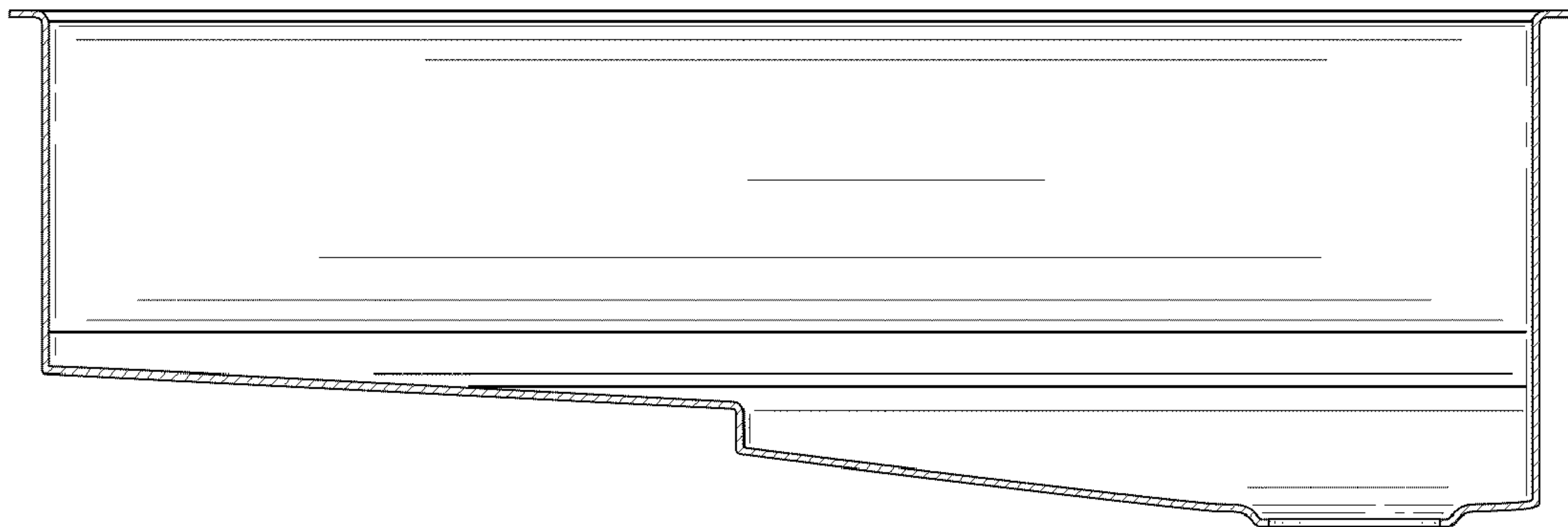
**FIG. 5**



**FIG. 6**



**FIG. 7**



**FIG. 8**



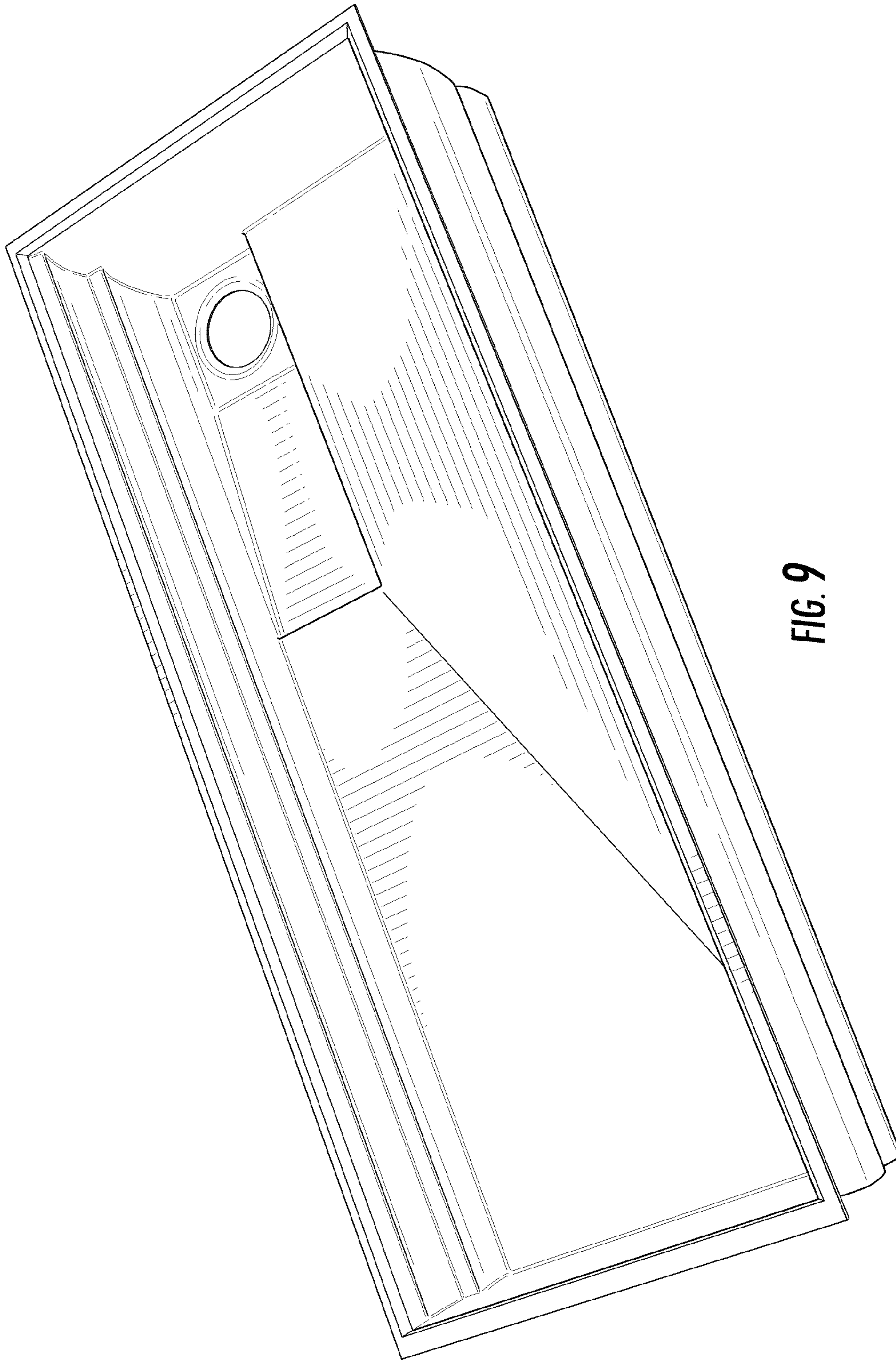


FIG. 9

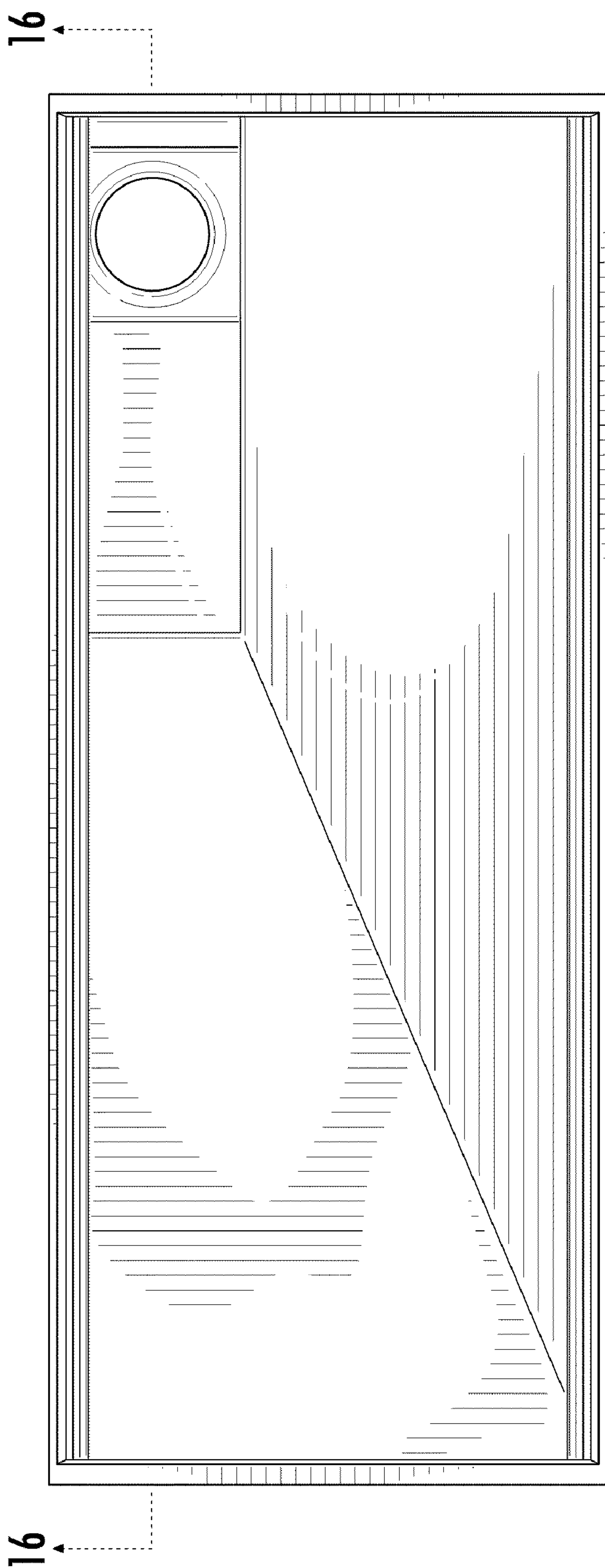
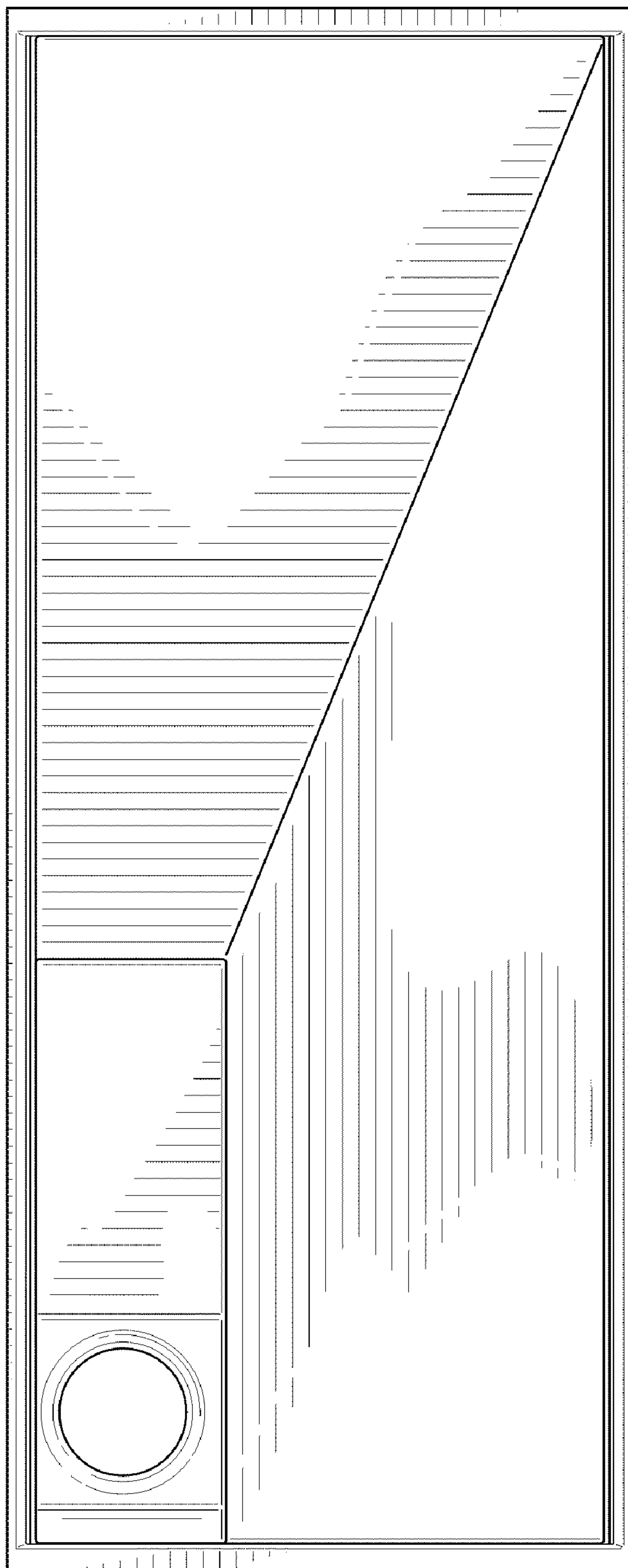
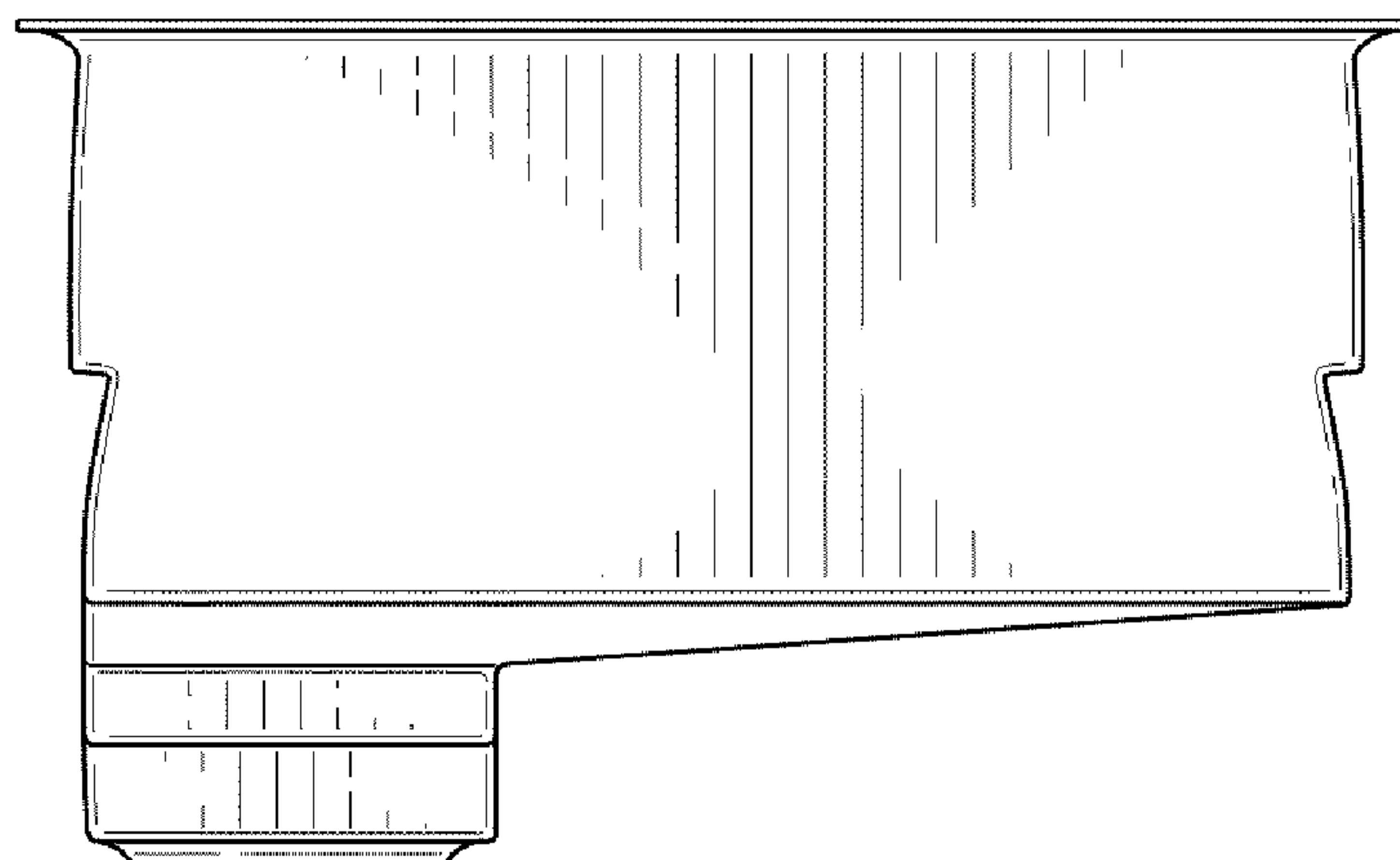


FIG. 10

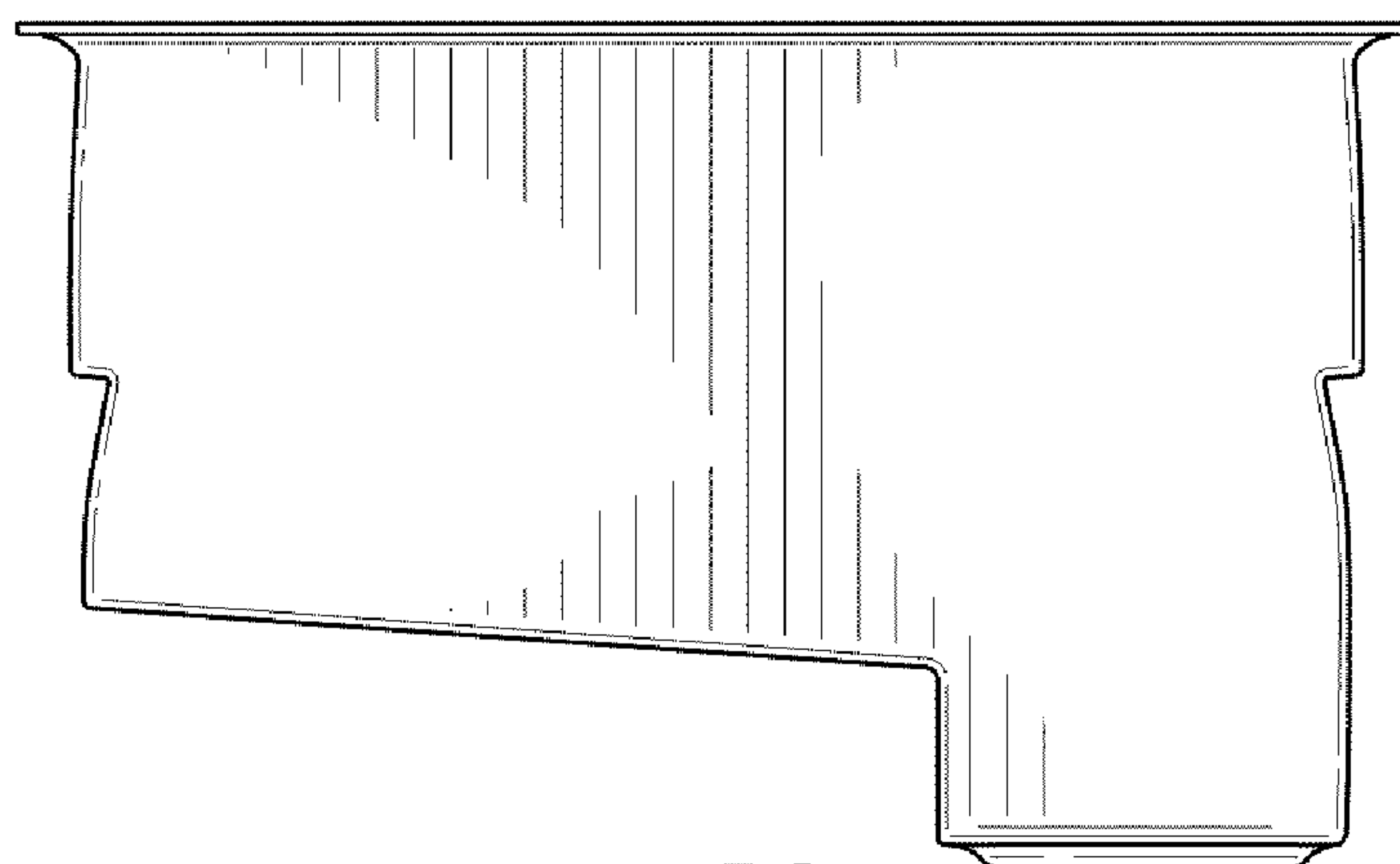




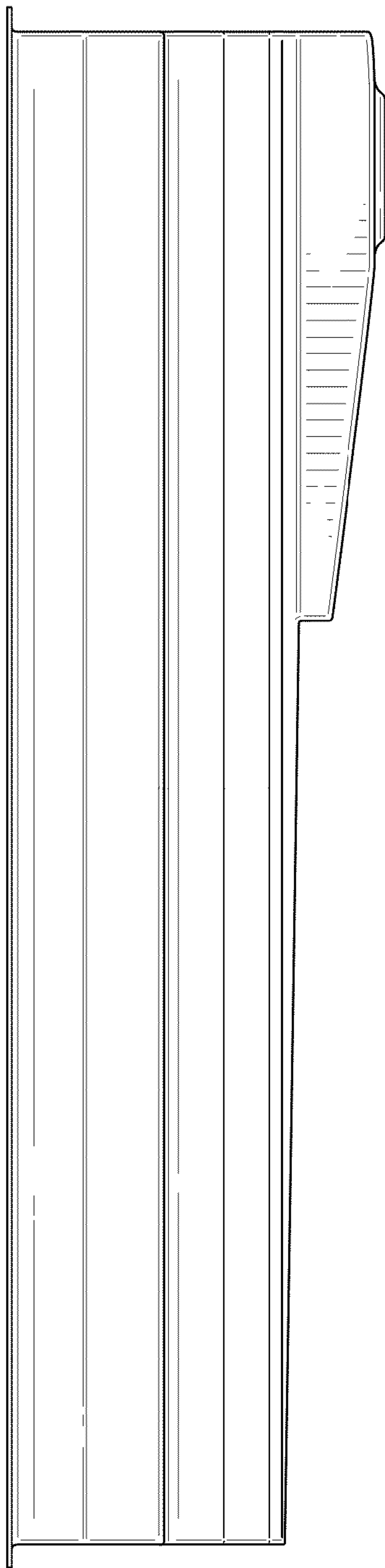
**FIG. 11**



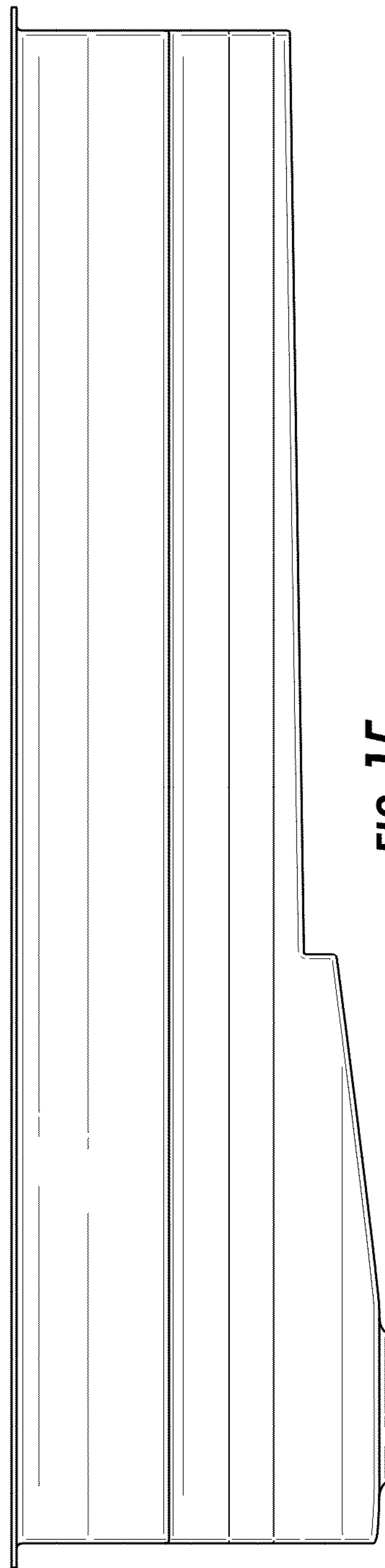
**FIG. 12**



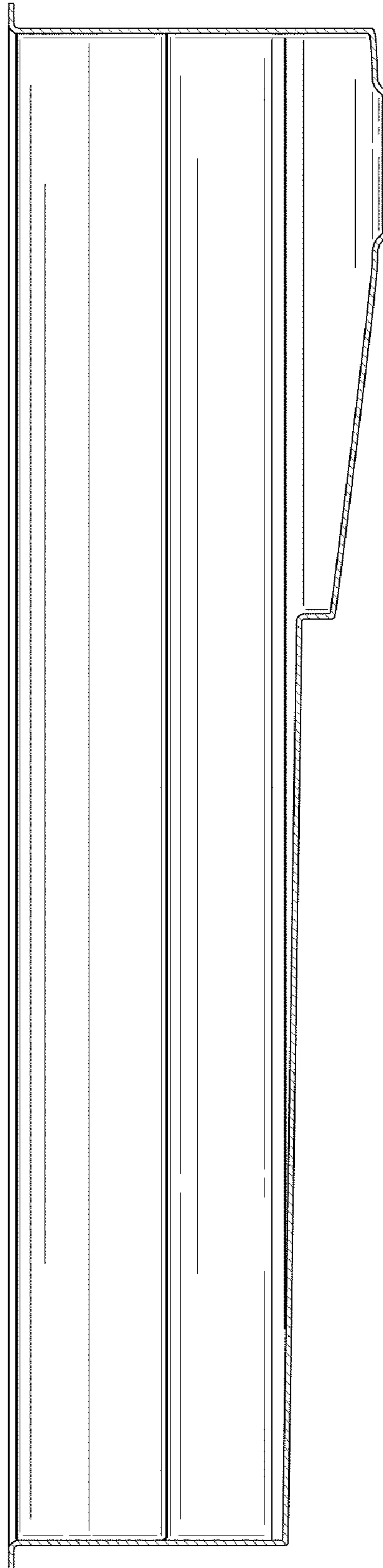
**FIG. 13**



**FIG. 14**



**FIG. 15**



**FIG. 16**