



US00D657028S

(12) **United States Design Patent**  
**Eilmus**

(10) **Patent No.:** **US D657,028 S**

(45) **Date of Patent:** **\*\* Apr. 3, 2012**

(54) **SINK**

(75) Inventor: **Niels J. Eilmus**, Sheboygan, WI (US)

(73) Assignee: **Kohler Co.**, Kohler, WI (US)

(\*\*) Term: **14 Years**

(21) Appl. No.: **29/387,847**

(22) Filed: **Mar. 18, 2011**

(51) **LOC (9) Cl.** ..... **23-02**

(52) **U.S. Cl.** ..... **D23/284**

(58) **Field of Classification Search** ..... D23/284,  
D23/290-292, 293.1, 303, 308; 4/619, 639-640  
See application file for complete search history.

(56) **References Cited**

**U.S. PATENT DOCUMENTS**

D354,119 S \* 1/1995 Hauser, II ..... D23/284  
D382,332 S \* 8/1997 Schwartz ..... D23/284

(Continued)

**OTHER PUBLICATIONS**

Blanco, Design for 511-652 Silgranit BlancoDiamond Single Bowl Drop In/Undermount Kitchen Sink Anthracite (Model No. BLAN 440194), retrieved Online at: <http://www.irawoods.com/Blanco-511-652-Silgranit-BlancoDiamond-Single-Bowl-Drop-In-Undermount-Kitchen-Sink-Anthracite?sc=22&category=731887>, Sep. 29, 2010, 1 page.

(Continued)

*Primary Examiner* — Robert Delehanty

(74) *Attorney, Agent, or Firm* — Foley & Lardner LLP

(57) **CLAIM**

I claim the ornamental design for a sink, as shown and described.

**DESCRIPTION**

FIG. 1 is a top perspective view of an embodiment of the claimed design;

FIG. 2 is a top plan view of the claimed design of FIG. 1;

FIG. 3 is a bottom plan view of the claimed design of FIG. 1;

FIG. 4 is a left-side elevation view of the claimed design of FIG. 1;

FIG. 5 is a front elevation view of the claimed design of FIG. 1;

FIG. 6 is a right-side elevation view of the claimed design of FIG. 1;

FIG. 7 is a rear elevation view of the claimed design of FIG. 1;

FIG. 8 is a cross-sectional view of FIG. 6;

FIG. 9 is a cross-sectional view of FIG. 5;

FIG. 10 is a top perspective view of another embodiment of the claimed design;

FIG. 11 is a top plan view of the claimed design of FIG. 10;

FIG. 12 is a bottom plan view of the claimed design of FIG. 10;

FIG. 13 is a left-side elevation view of the claimed design of FIG. 10;

FIG. 14 is a front elevation view of the claimed design of FIG. 10;

FIG. 15 is a right-side elevation view of the claimed design of FIG. 10;

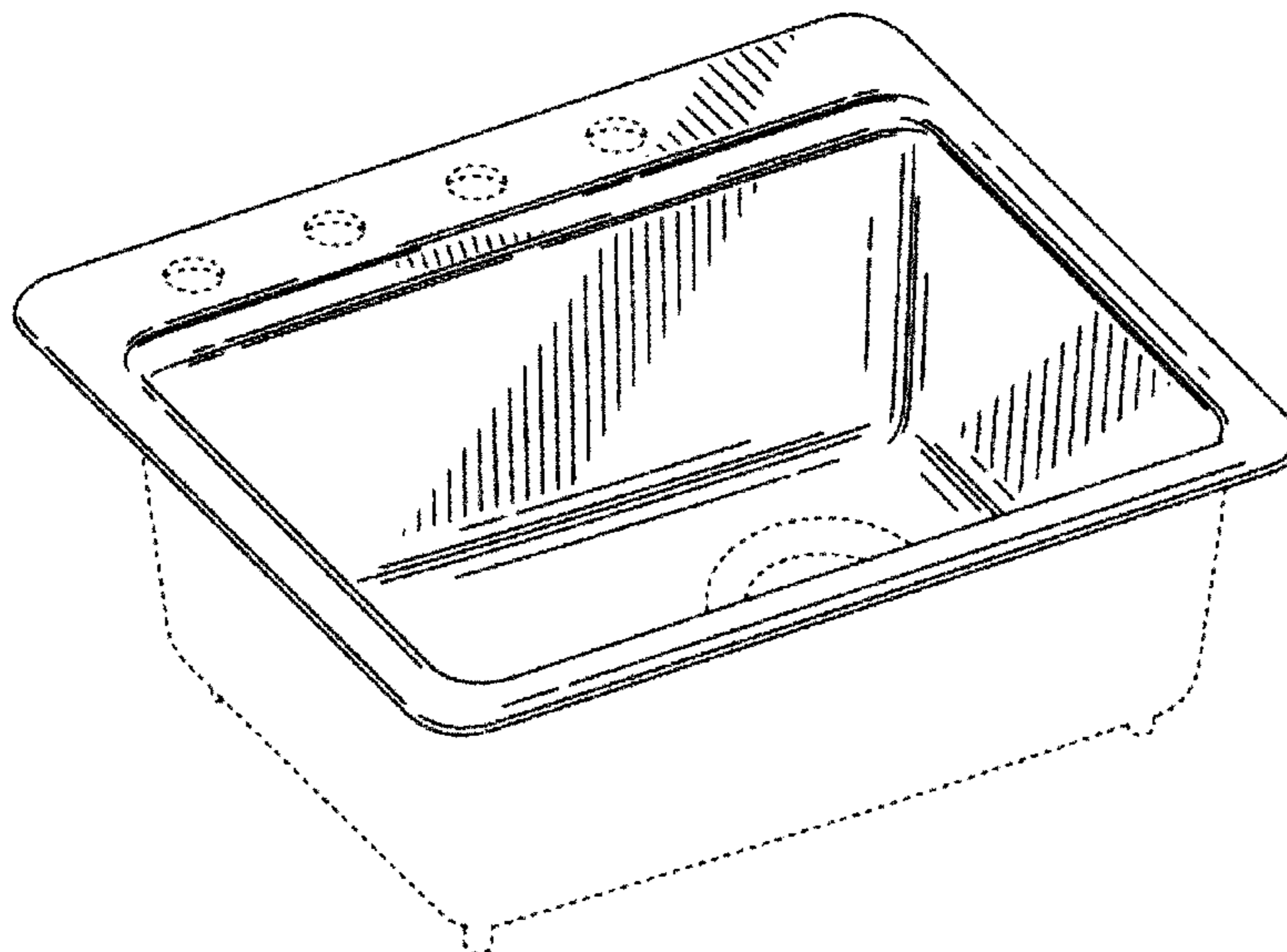
FIG. 16 is a rear elevation view of the claimed design of FIG. 10;

FIG. 17 is a cross sectional view of FIG. 15; and,

FIG. 18 is a cross sectional view of FIG. 14.

The ornamental design which is claimed is shown in solid lines in the drawings. The broken lines in the drawings are for illustrative purposes only and form no part of the claimed design.

**1 Claim, 12 Drawing Sheets**



U.S. PATENT DOCUMENTS

D482,764 S \* 11/2003 Genslak et al. .... D23/293.1

OTHER PUBLICATIONS

Blanco, Design for 44019 Blanco BlancoDiamond Single Basin Kitchen Sink , retrieved Online at: [http://fixtureuniverse.com/Single-Basin/Blanco--BlancoDiamond-Single-Basin-Sink\\_1764741.html](http://fixtureuniverse.com/Single-Basin/Blanco--BlancoDiamond-Single-Basin-Sink_1764741.html), Sep. 29, 2010, 1 page.

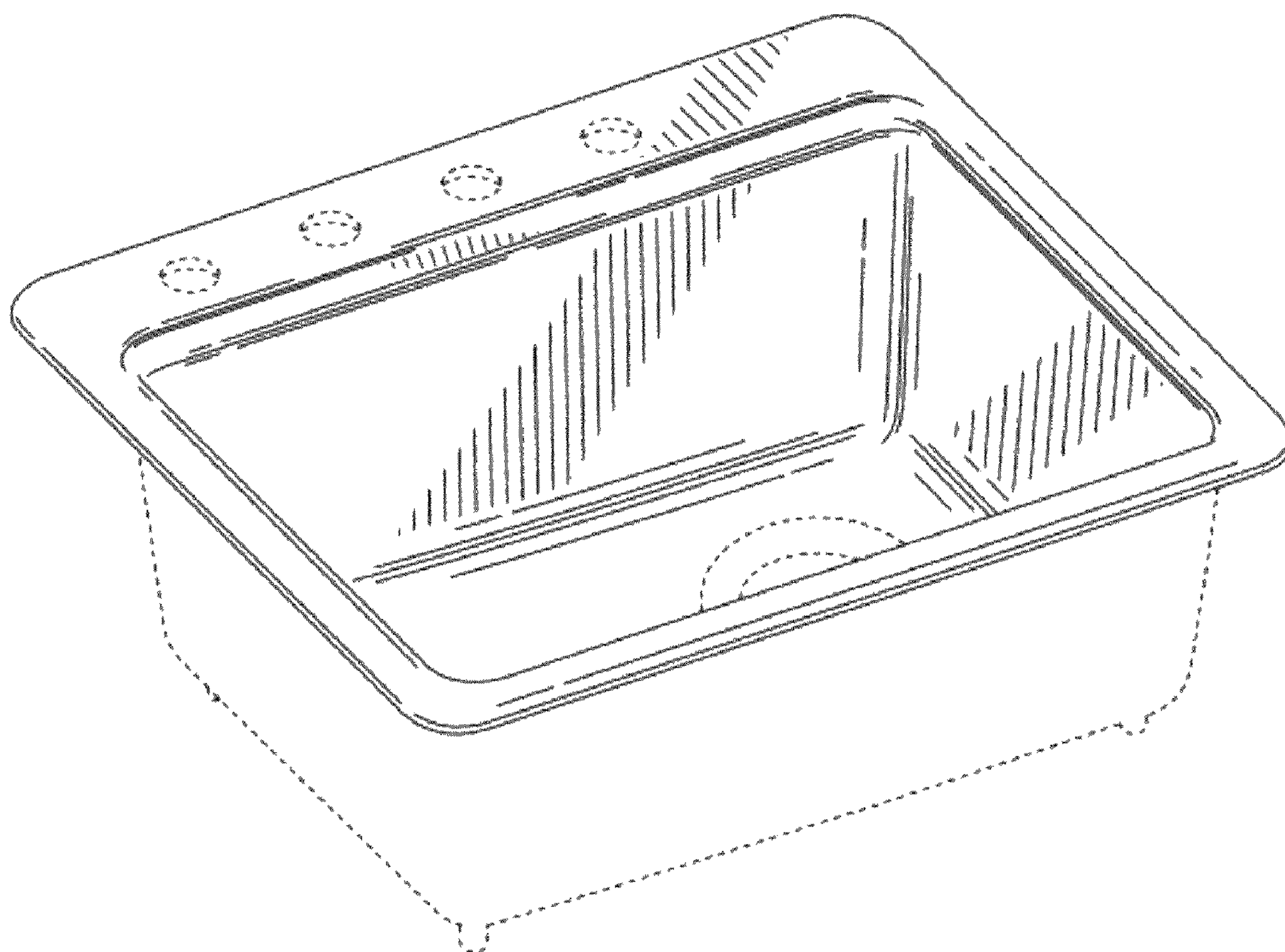
CornerStone, Inc., Design for Cornerstone Model 15 Coventry Advantage 3.2 Series Sink, Retrieved Nov. 4, 2010, 2 pages.

Kohler, Inc., Product Specification for 8 Degree, Undercounter Sink (Model K-3673), Sep. 29, 2010, 2 pages.

Kohler, Inc., Product Specification for Bakersfield Undercounter Kitchen Sink (Model K-5832-5U), Sep. 29, 2010, 1 page.

Polar Stainless Products, Inc., Designs for Stainless Steel Sinks, Model Nos., 482-4, 222-4, 432-4, 240-4, 320-4, 319-1, Sep. 29, 2010, 1 page.

\* cited by examiner



**FIG. 1**

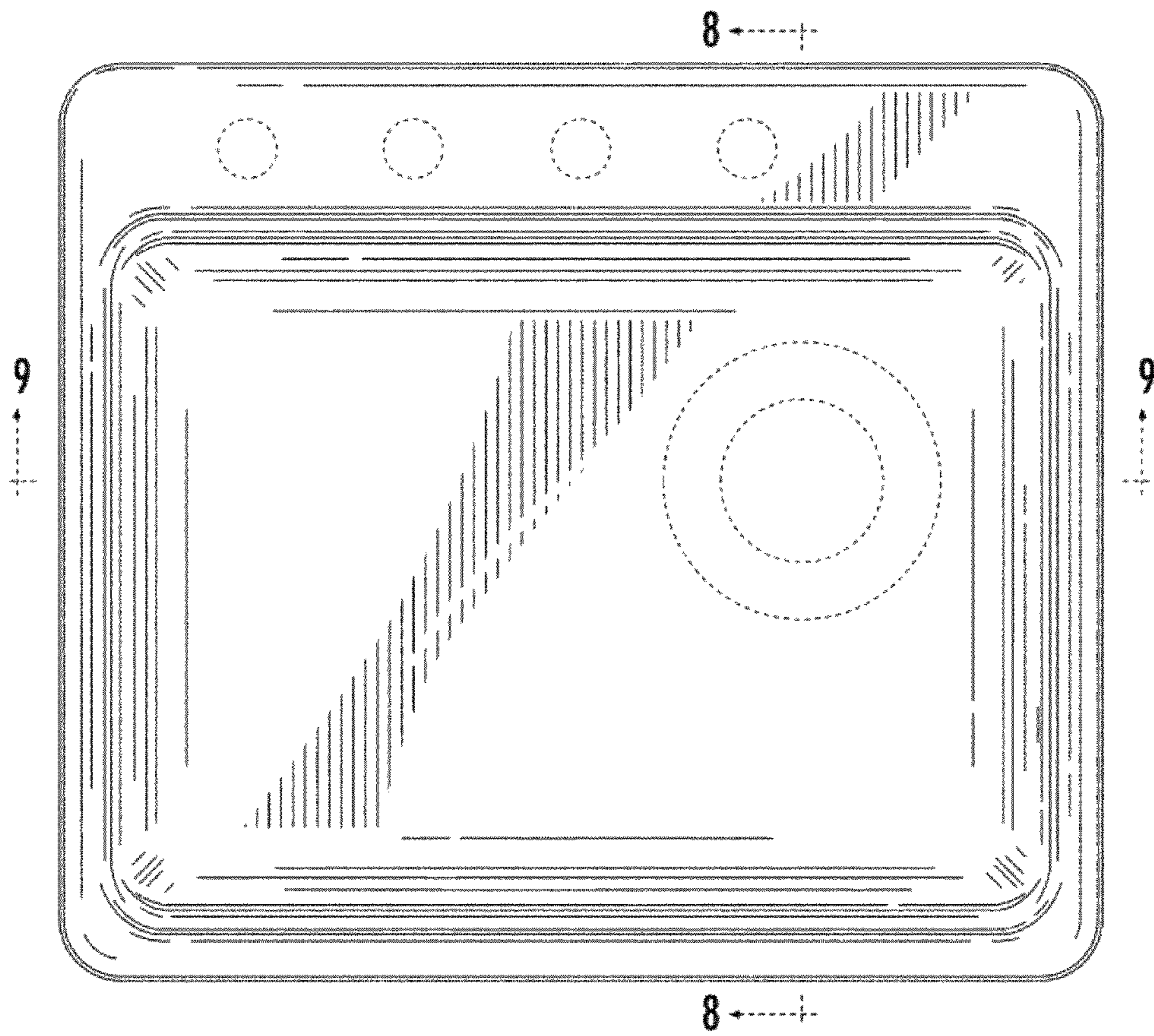


FIG. 2

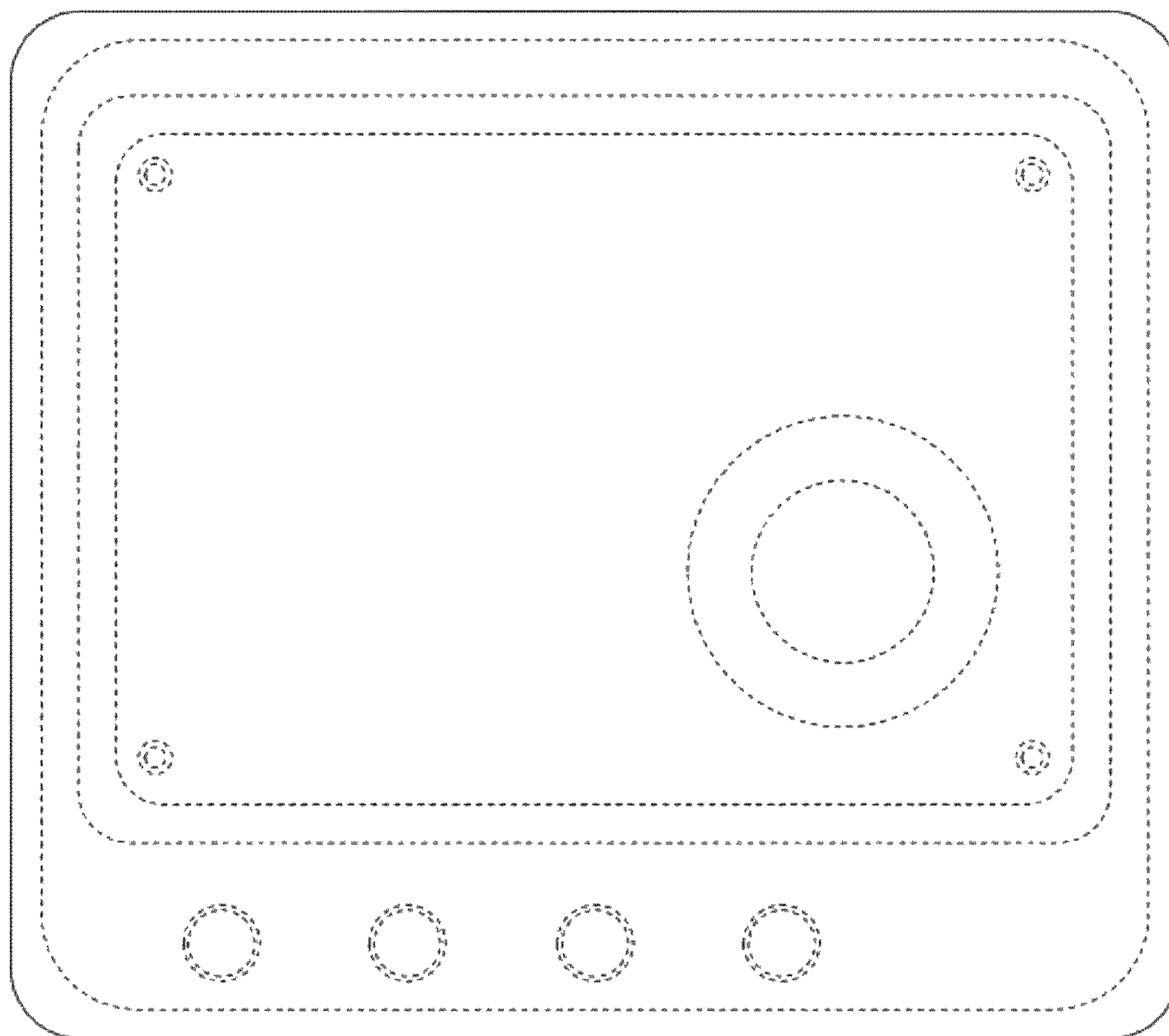


FIG. 3

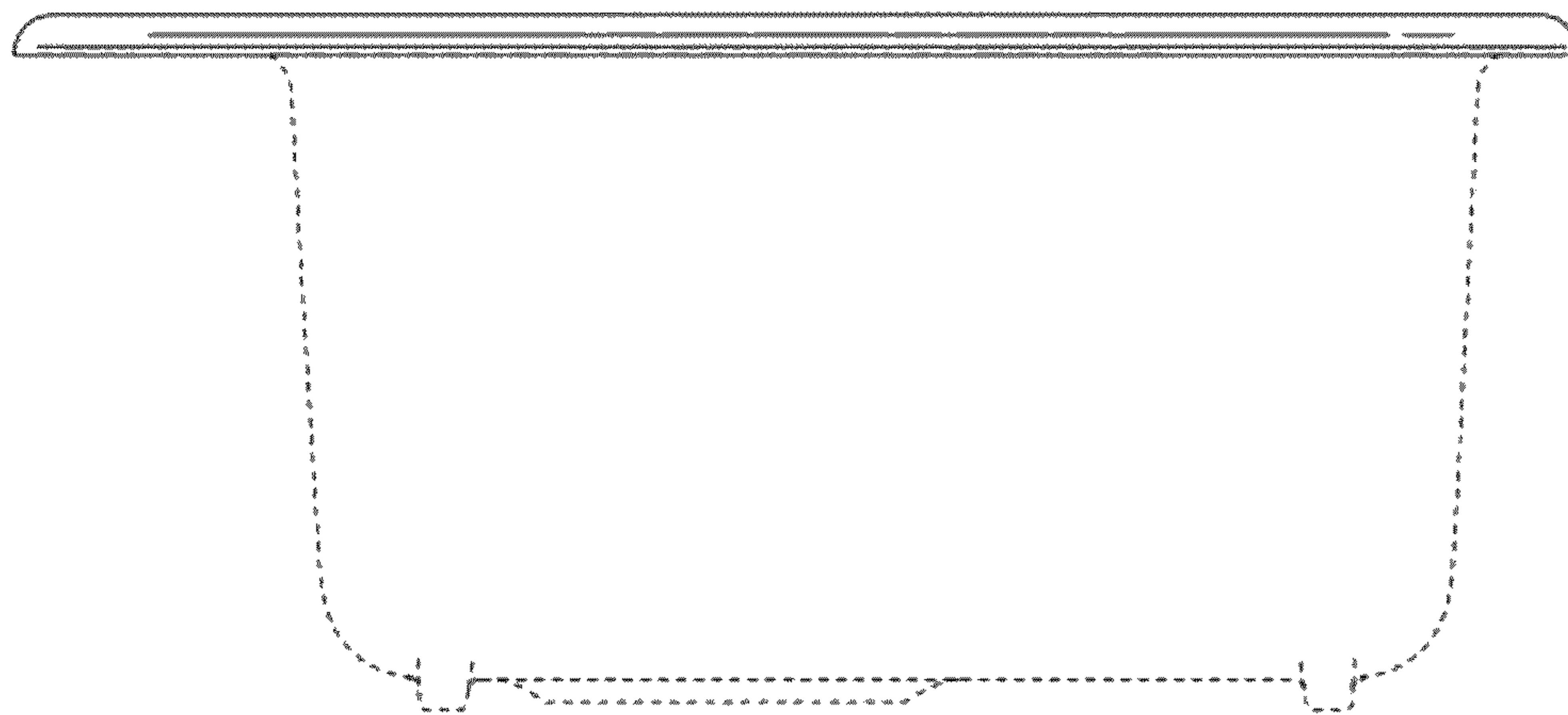


FIG. 4

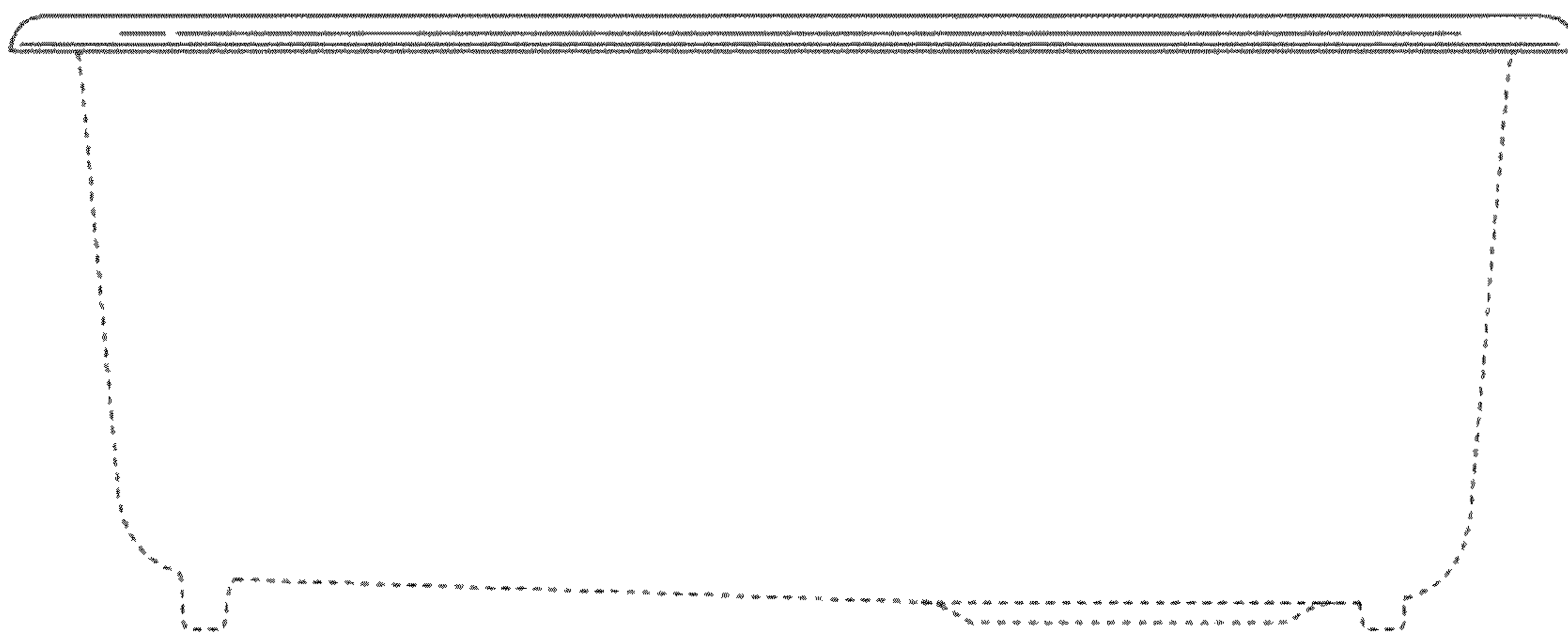


FIG. 5

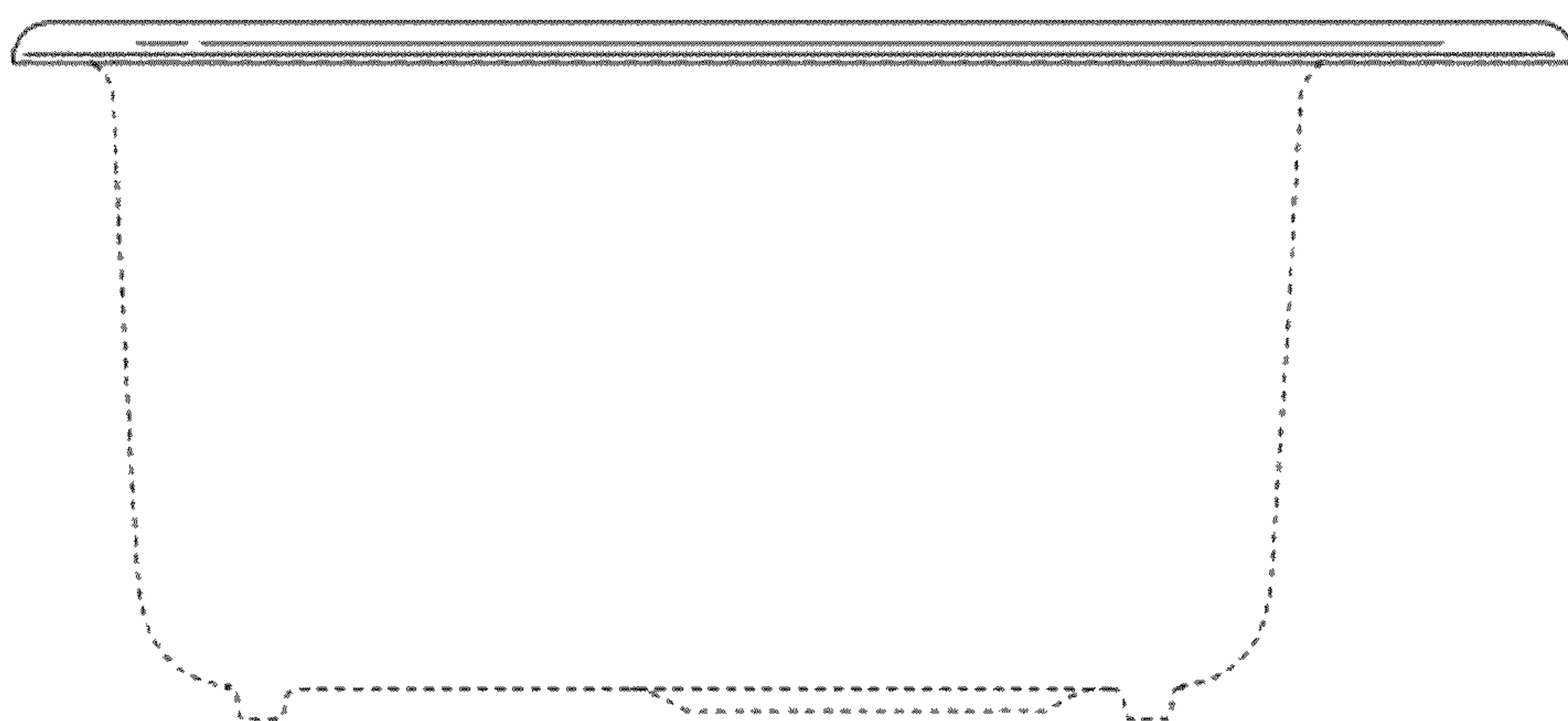


FIG. 6

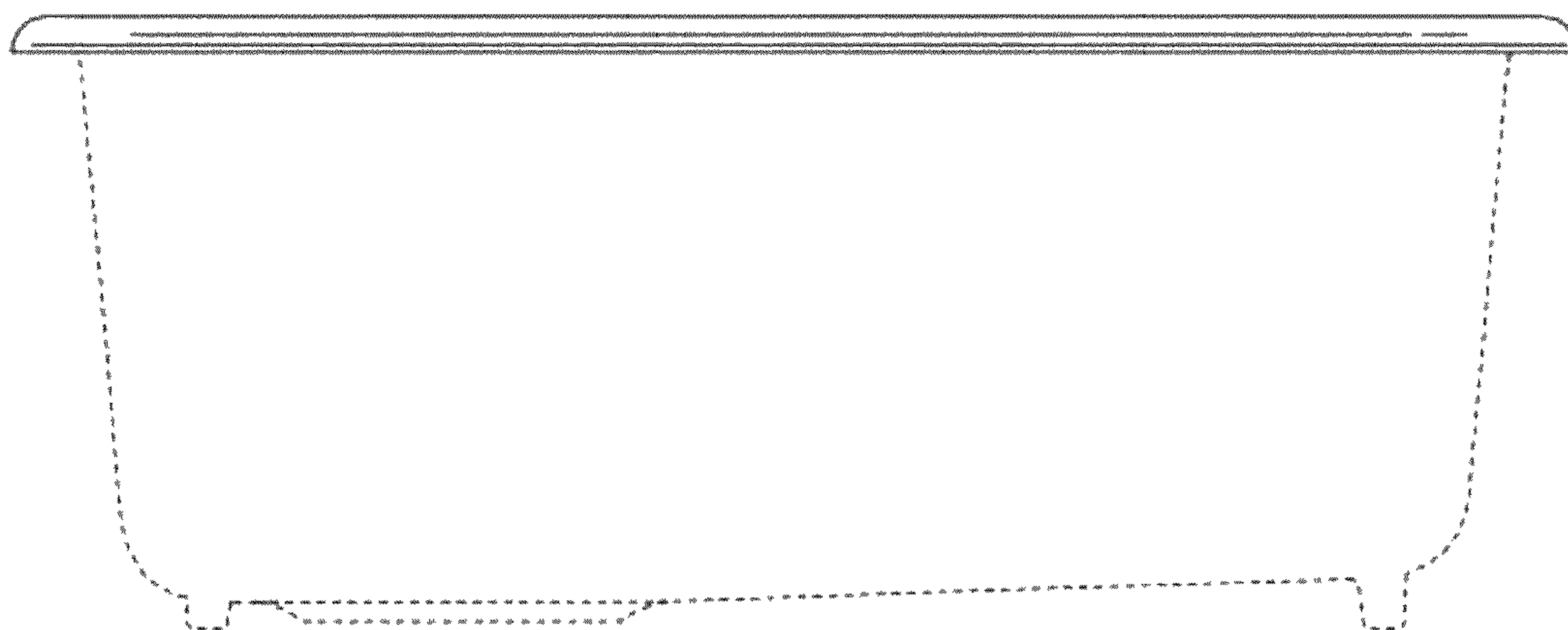


FIG. 7

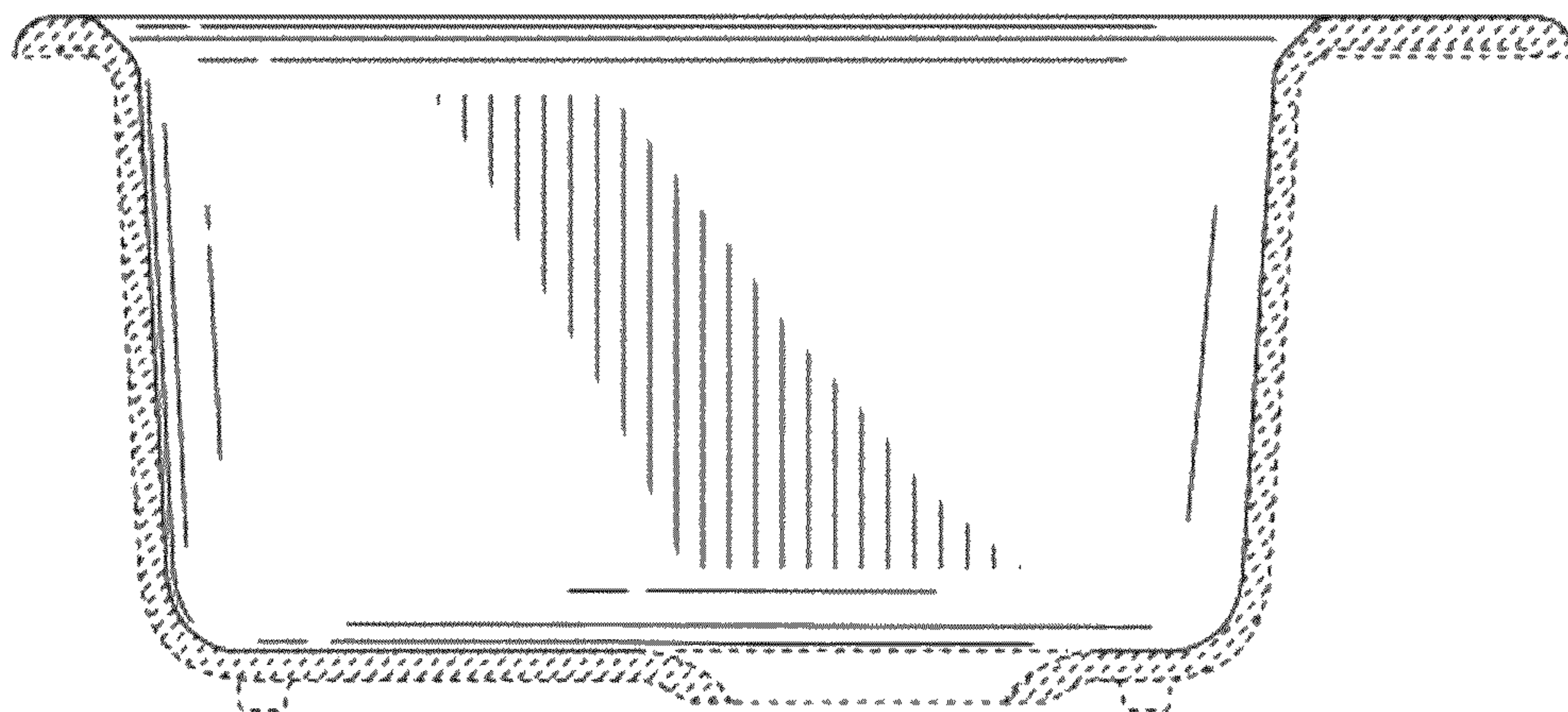


FIG. 8

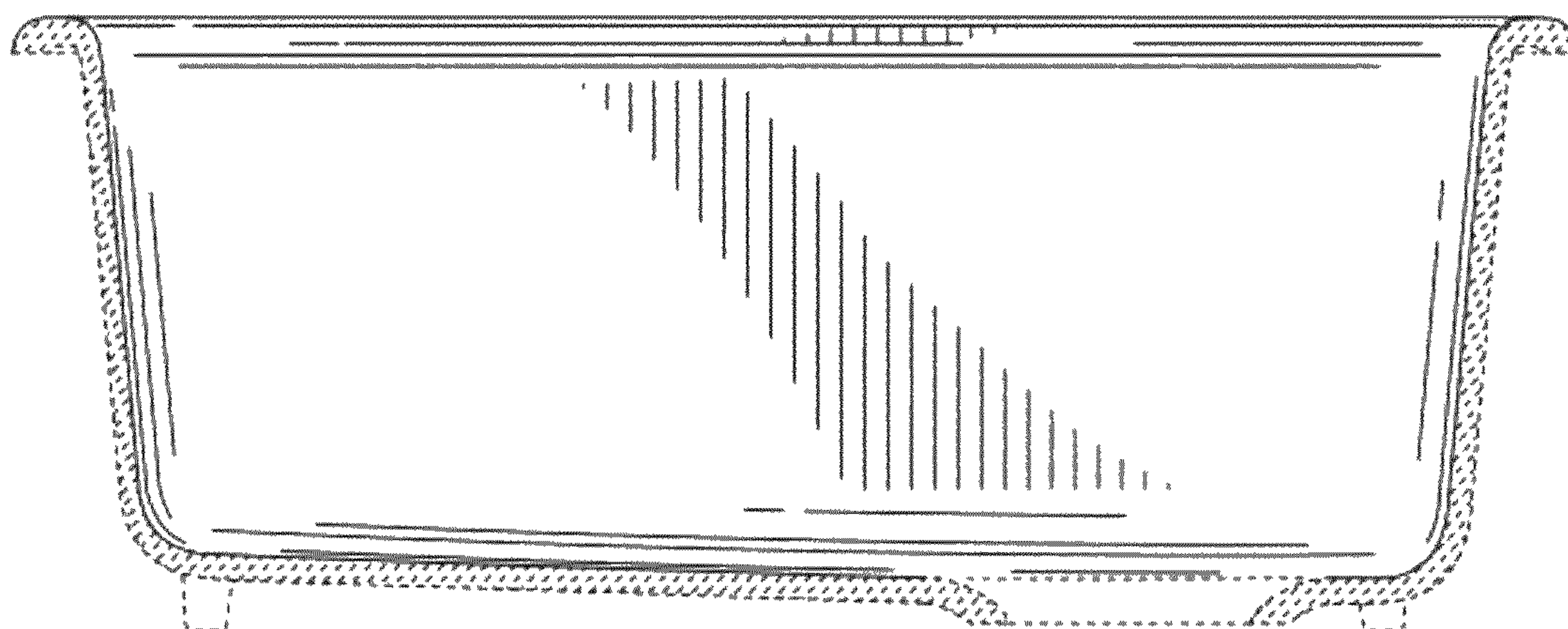


FIG. 9



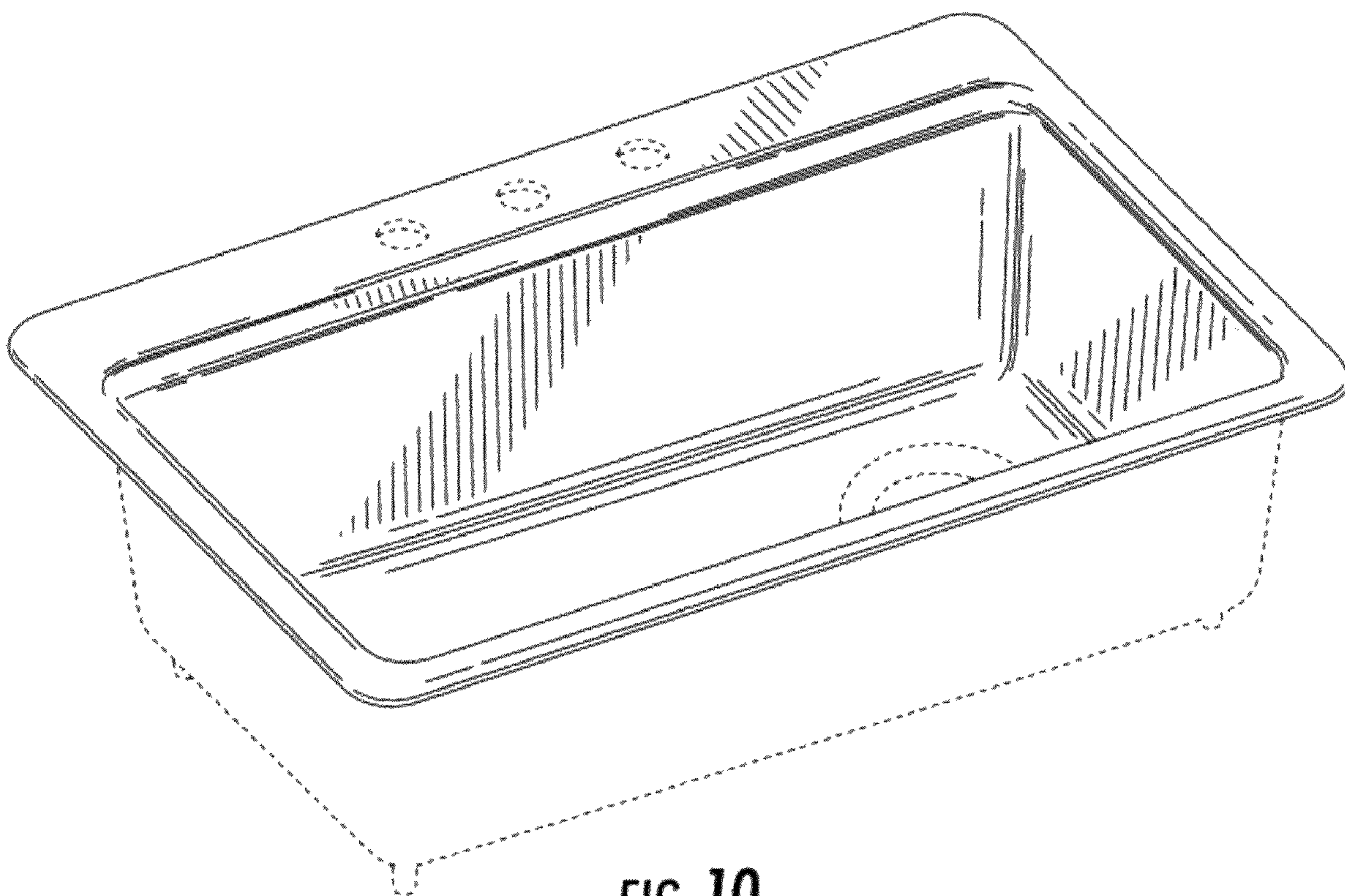


FIG. 10

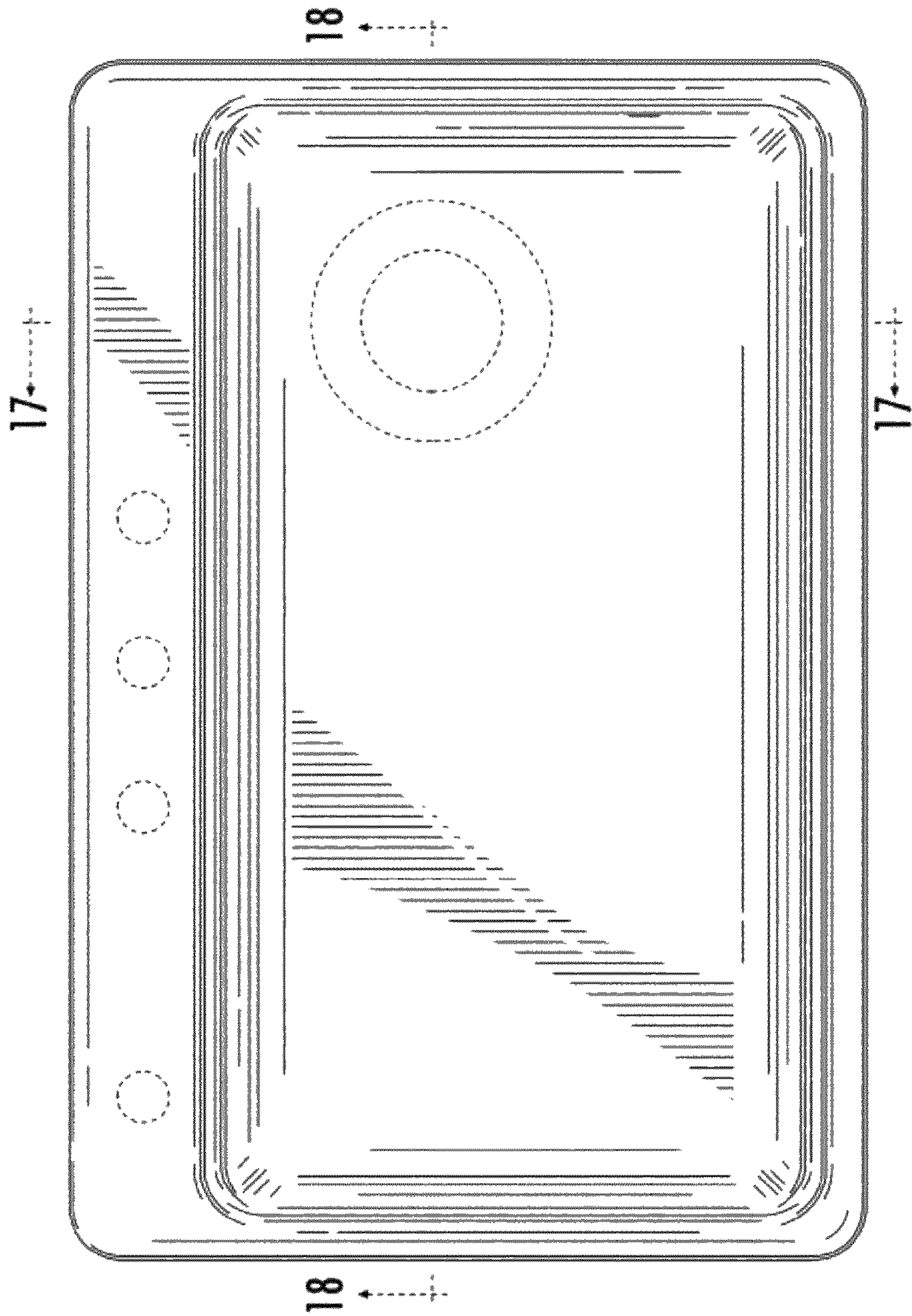


FIG. 11

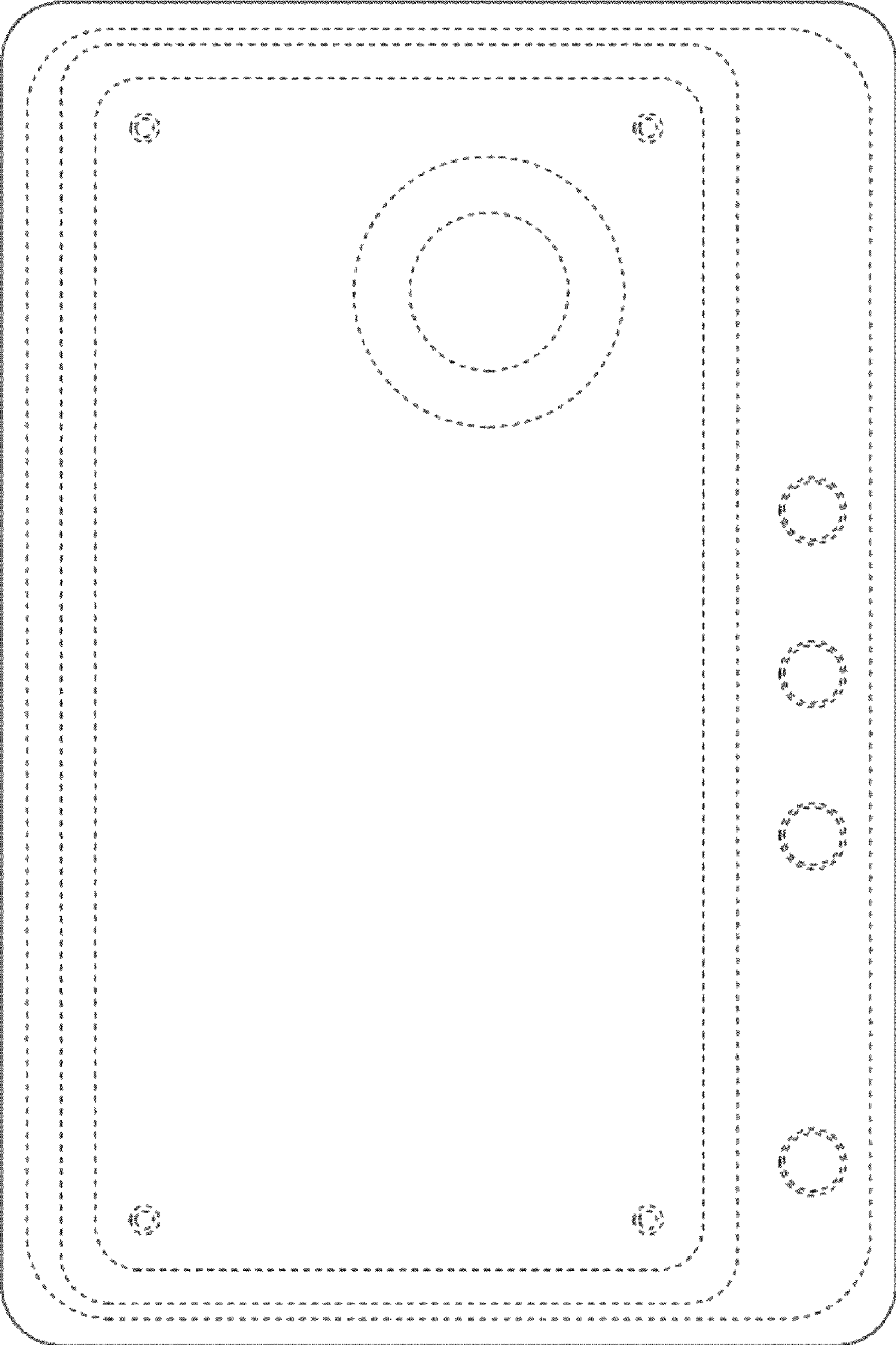


FIG. 12

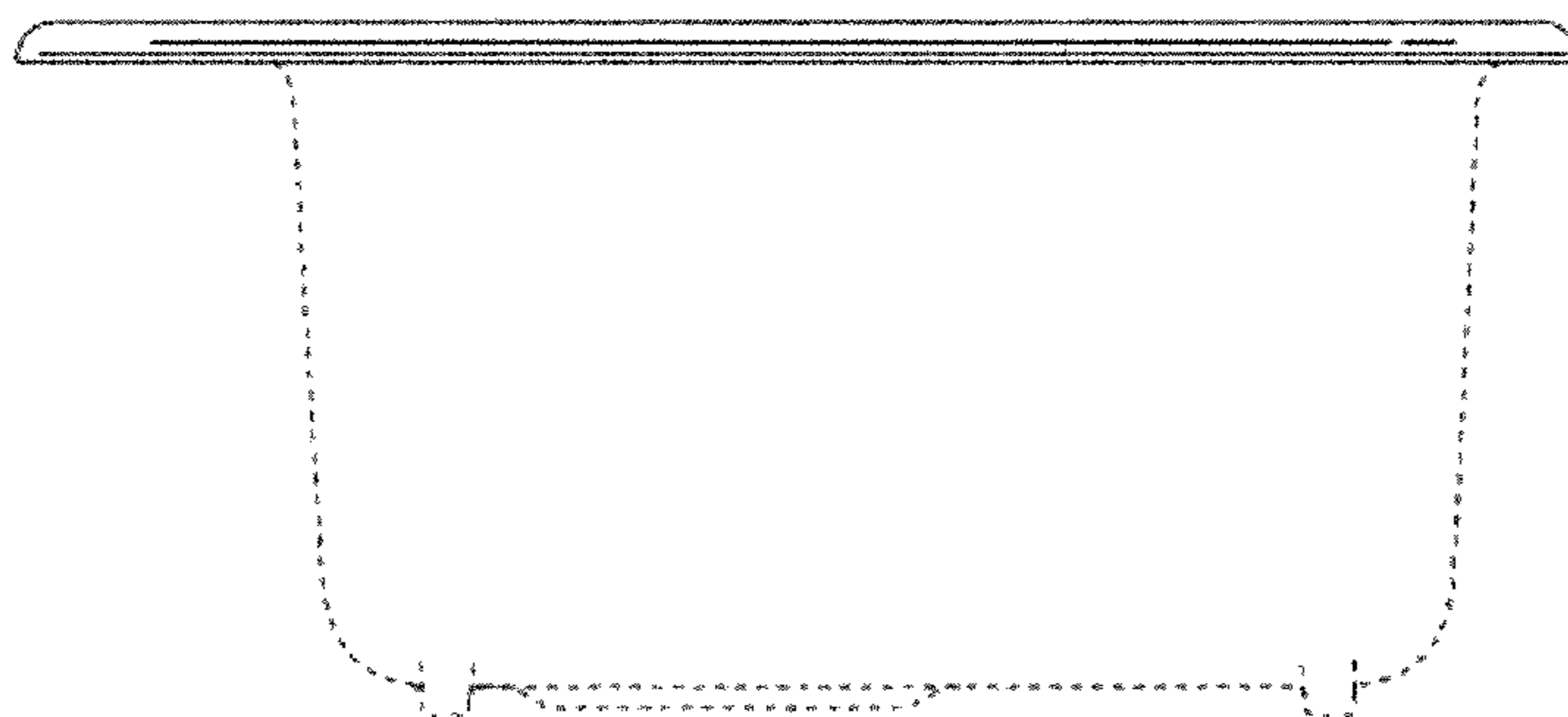


FIG. 13

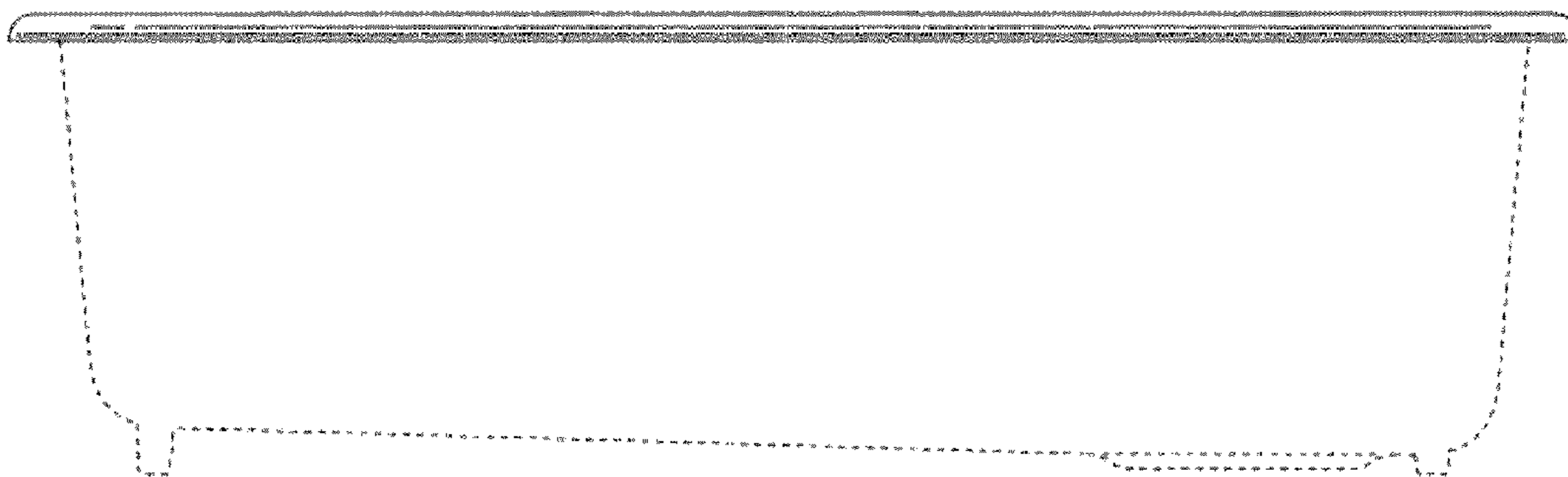


FIG. 14

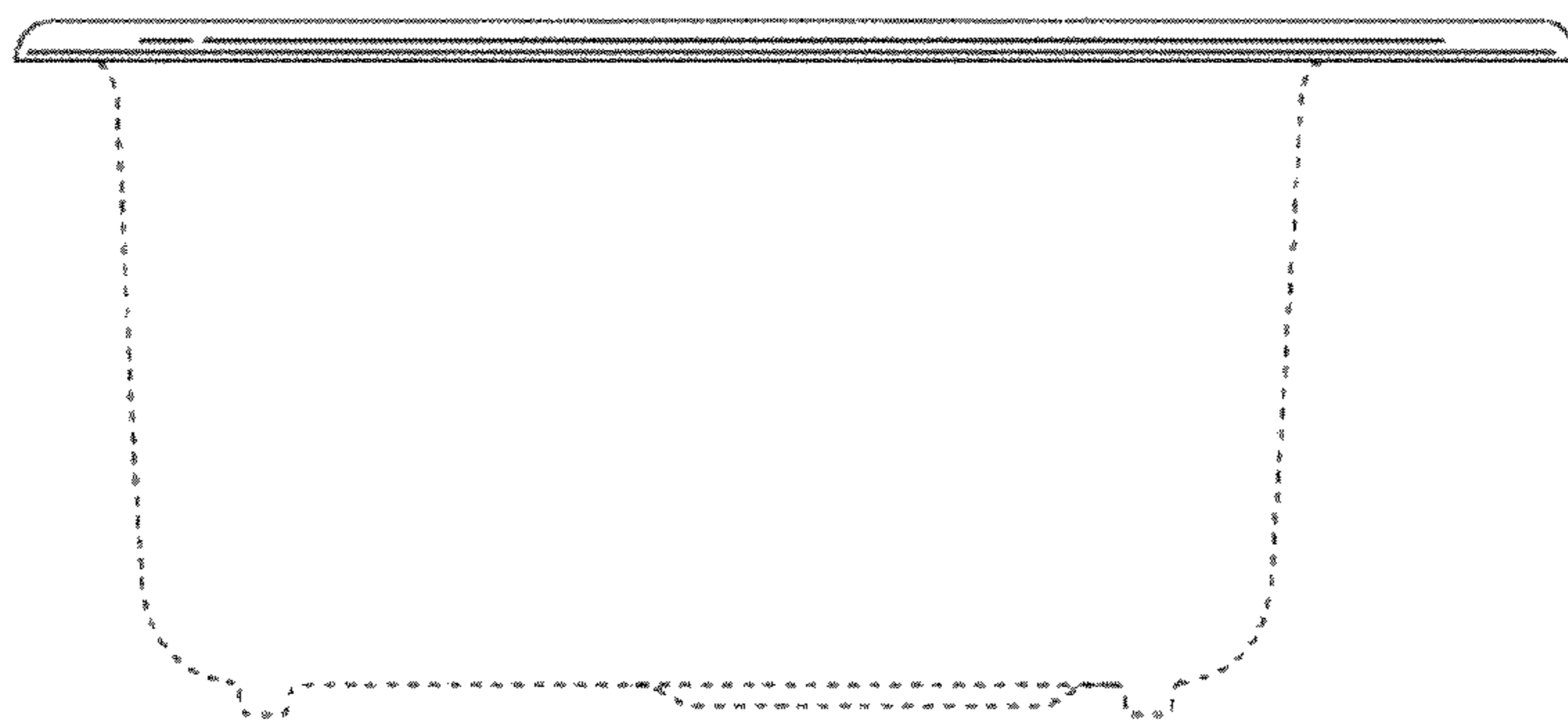


FIG. 15

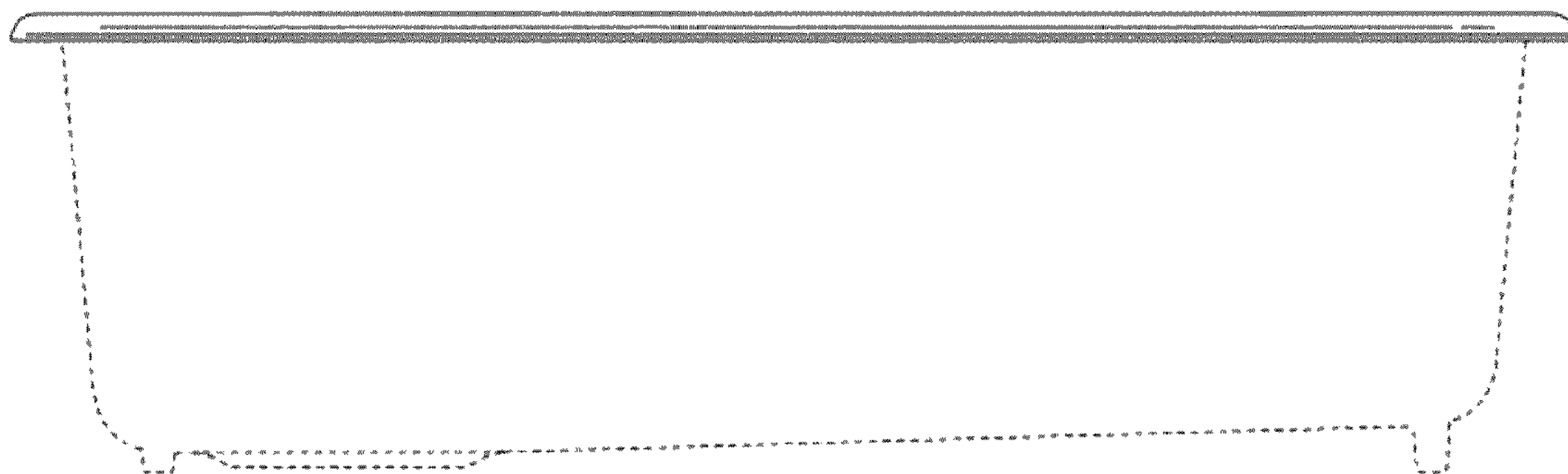


FIG. 16

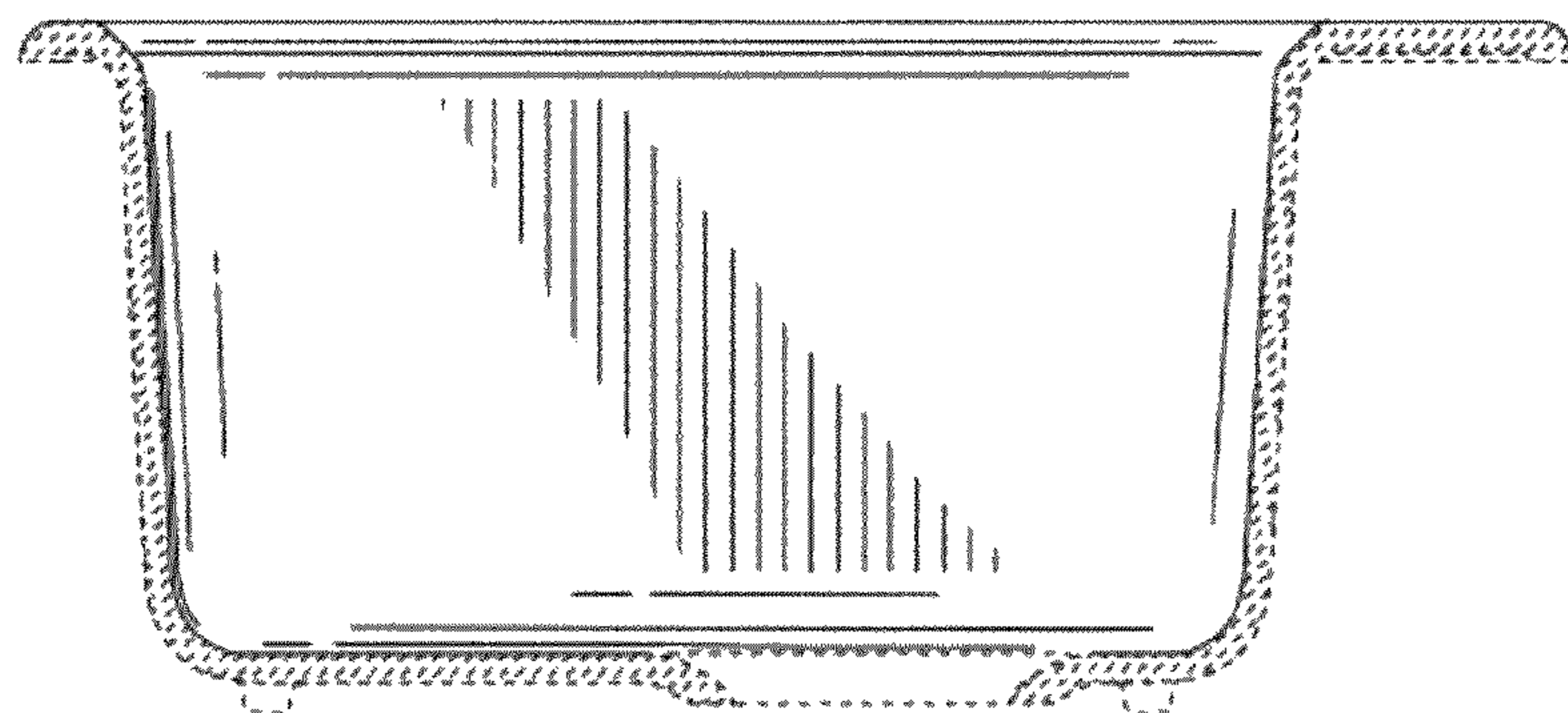


FIG. 17

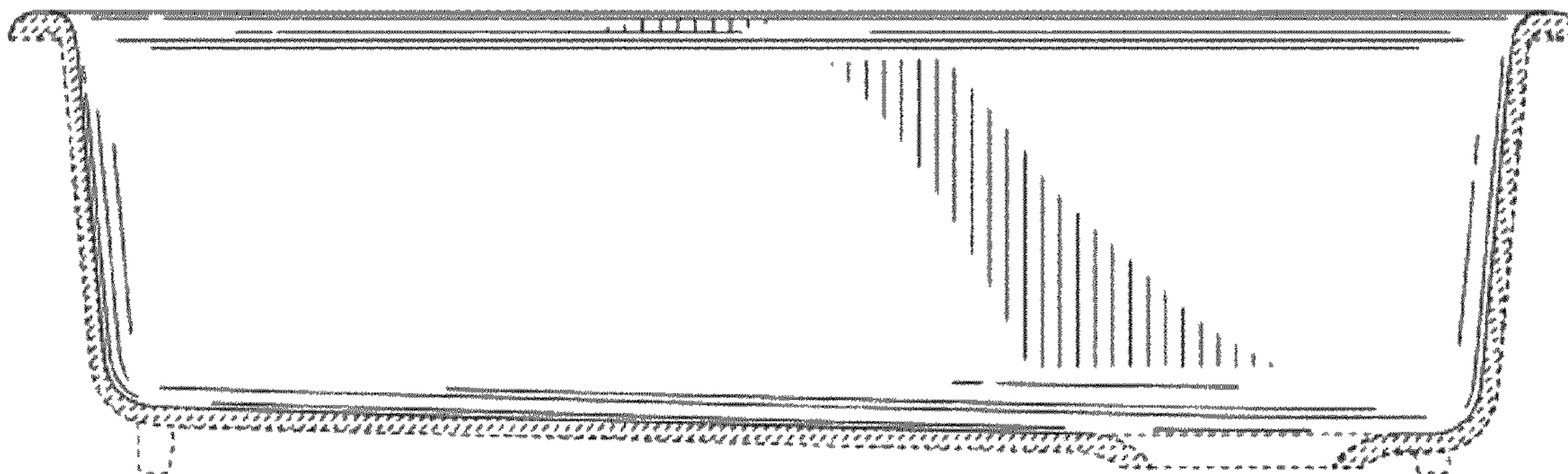


FIG. 18