



US00D657027S

(12) **United States Design Patent**  
**Bloink et al.**

(10) **Patent No.:** **US D657,027 S**

(45) **Date of Patent:** **\*\* Apr. 3, 2012**

(54) **FLUID FLOW DEFLECTOR**

(75) Inventors: **Tommy Bloink**, San Marcos, CA (US);  
**Gerhardus J. Stoltz**, Temecula, CA  
(US)

(73) Assignee: **Zodiac Pool Systems, Inc.**, Moorpark,  
CA (US)

(\*\*) Term: **14 Years**

(21) Appl. No.: **29/374,045**

(22) Filed: **Jun. 27, 2011**

**Related U.S. Application Data**

(63) Continuation-in-part of application No. 13/080,801,  
filed on Apr. 6, 2011.

(51) **LOC (9) Cl.** ..... **23-01**

(52) **U.S. Cl.** ..... **D23/259**

(58) **Field of Classification Search** ..... D23/259-262;  
134/18; 285/241-253; 411/372, 910; 239/459,  
239/602

See application file for complete search history.

(56) **References Cited**

**U.S. PATENT DOCUMENTS**

3,776,464 A \* 12/1973 Proffit ..... 239/229  
4,834,423 A \* 5/1989 DeLand ..... 285/39  
5,931,510 A \* 8/1999 Mathew et al. .... 285/148.21

5,992,451 A \* 11/1999 Chang ..... 137/521  
6,199,916 B1 \* 3/2001 Klinger et al. .... 285/288.1  
D602,128 S \* 10/2009 Williams et al. .... D23/262  
D615,165 S \* 5/2010 McAlpine et al. .... D23/262  
D639,398 S \* 6/2011 Wilhelm ..... D23/262  
D642,244 S \* 7/2011 Wilhelm ..... D23/262  
2008/0073911 A1 \* 3/2008 Wells et al. .... 285/369

\* cited by examiner

*Primary Examiner* — T. Chase Nelson

*Assistant Examiner* — Eric Goodman

(74) *Attorney, Agent, or Firm* — Dean W. Russell; Michael  
A. Bertelson; Kilpatrick Townsend & Stockton LLP

(57) **CLAIM**

The ornamental design for a fluid flow deflector, as shown and  
described.

**DESCRIPTION**

FIG. 1 is a perspective view of a fluid flow deflector, showing  
our new design.

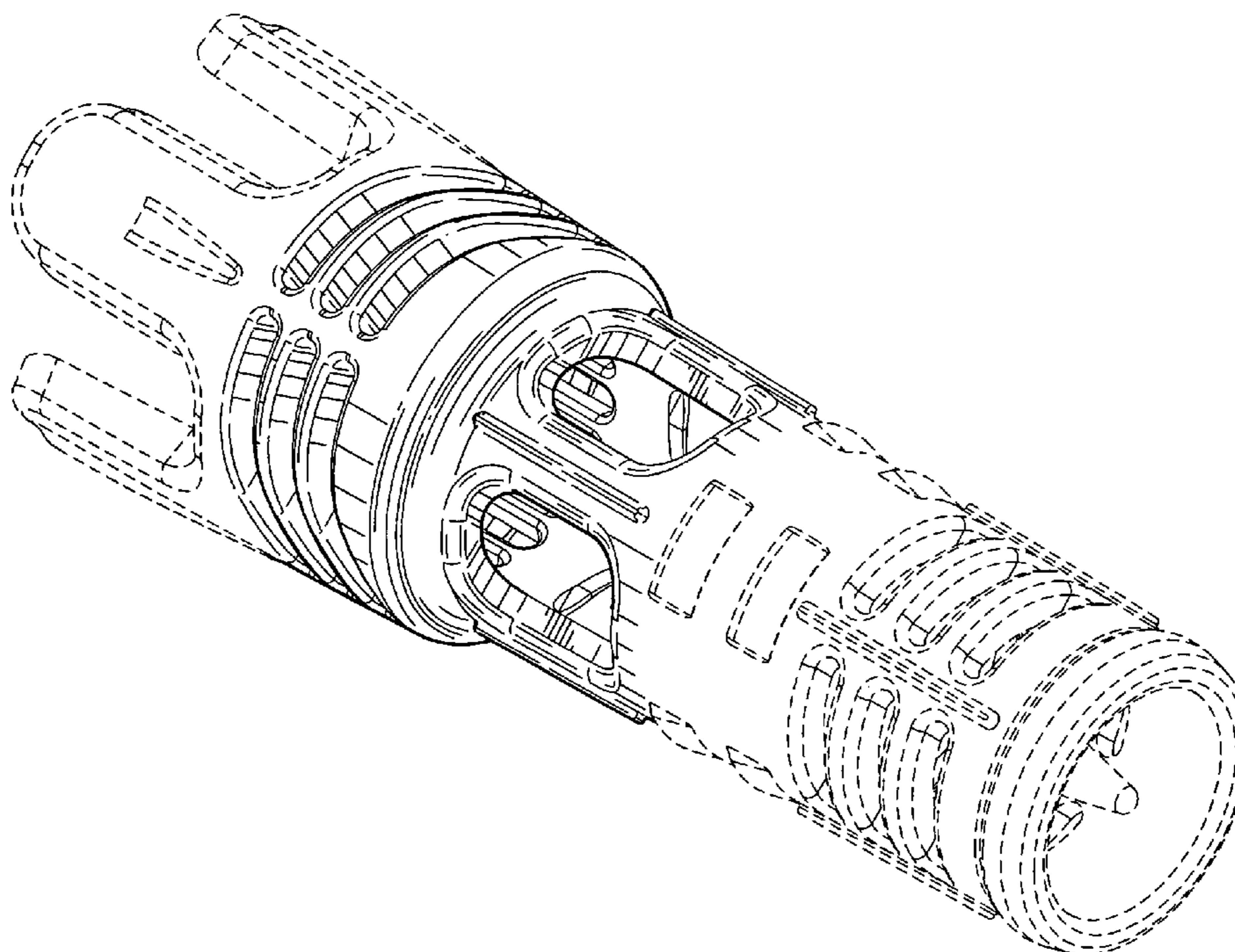
FIG. 2 is a side elevation view of the fluid flow deflector of  
FIG. 1.

FIG. 3 is another side view of the fluid flow deflector of FIG.  
1.

FIG. 4 is an end view of the fluid flow deflector of FIG. 1; and,  
FIG. 5 is another end view of the fluid flow deflector of FIG.  
1.

In the drawings, the broken lines form no part of the claimed  
design.

**1 Claim, 4 Drawing Sheets**



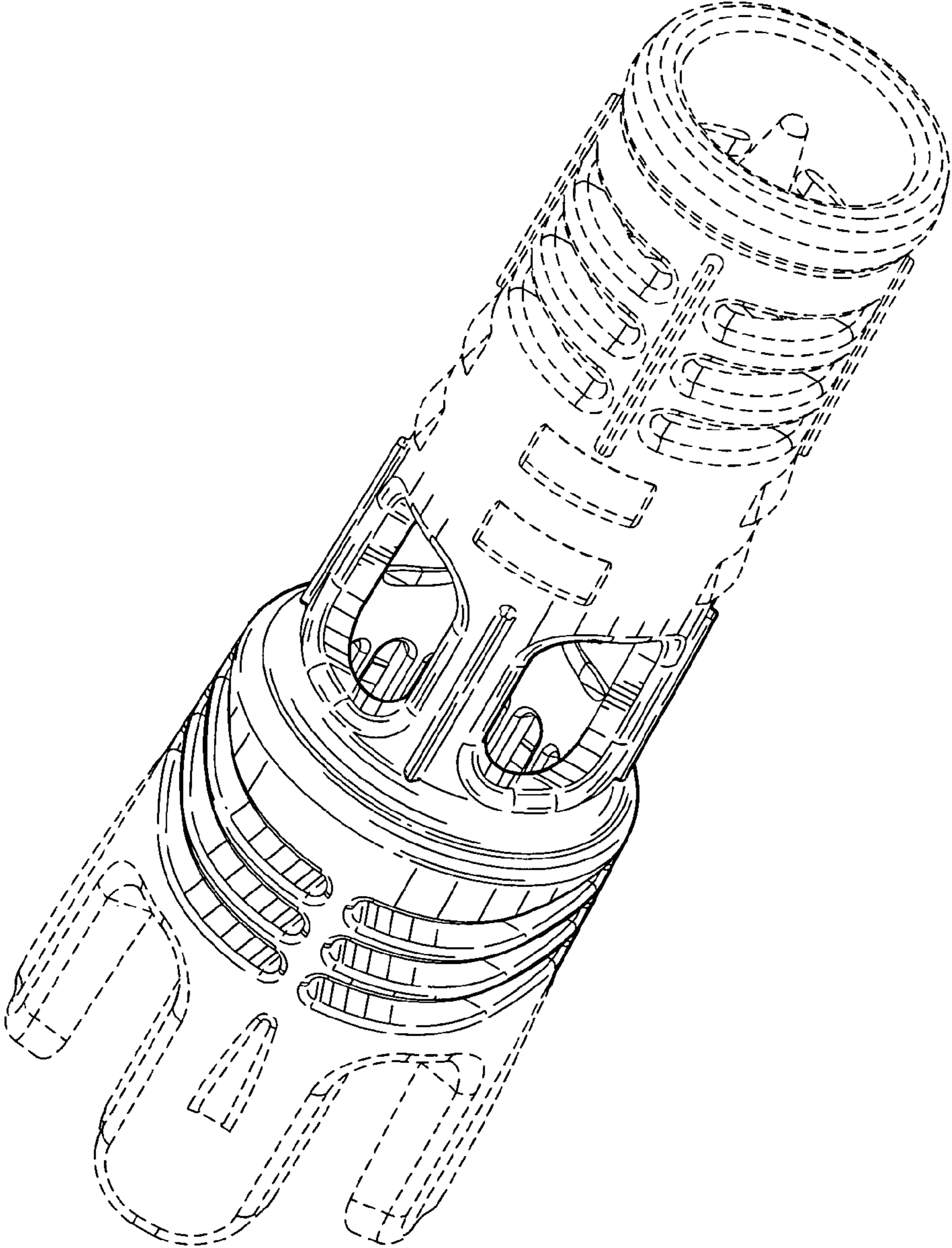


FIG. 1

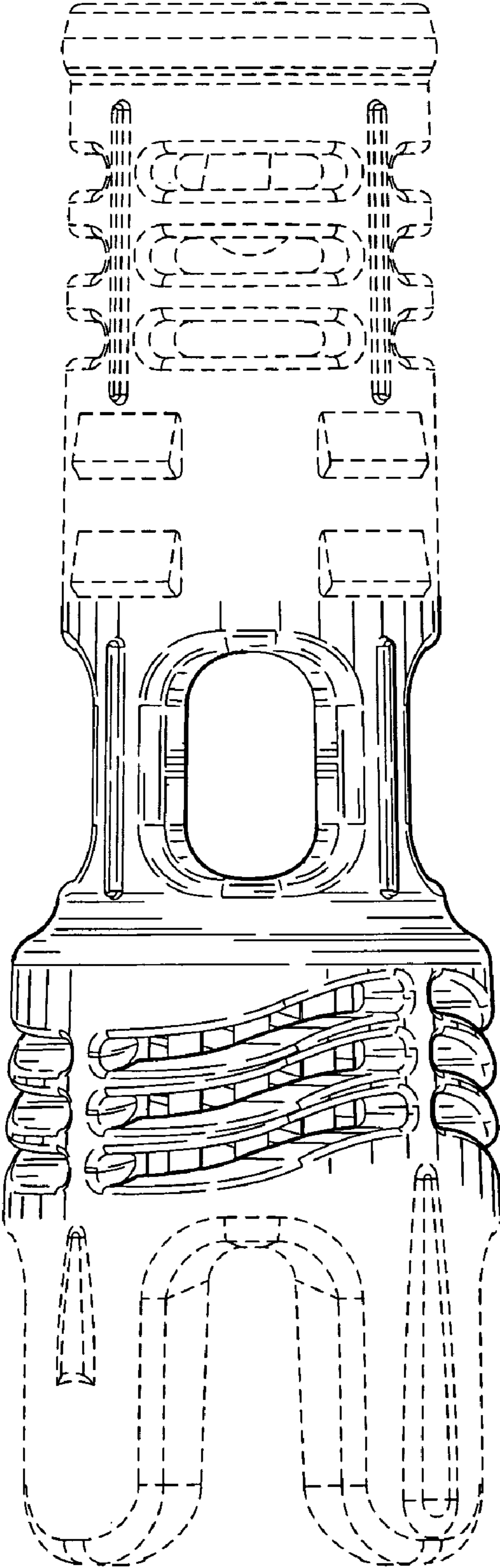


FIG. 2

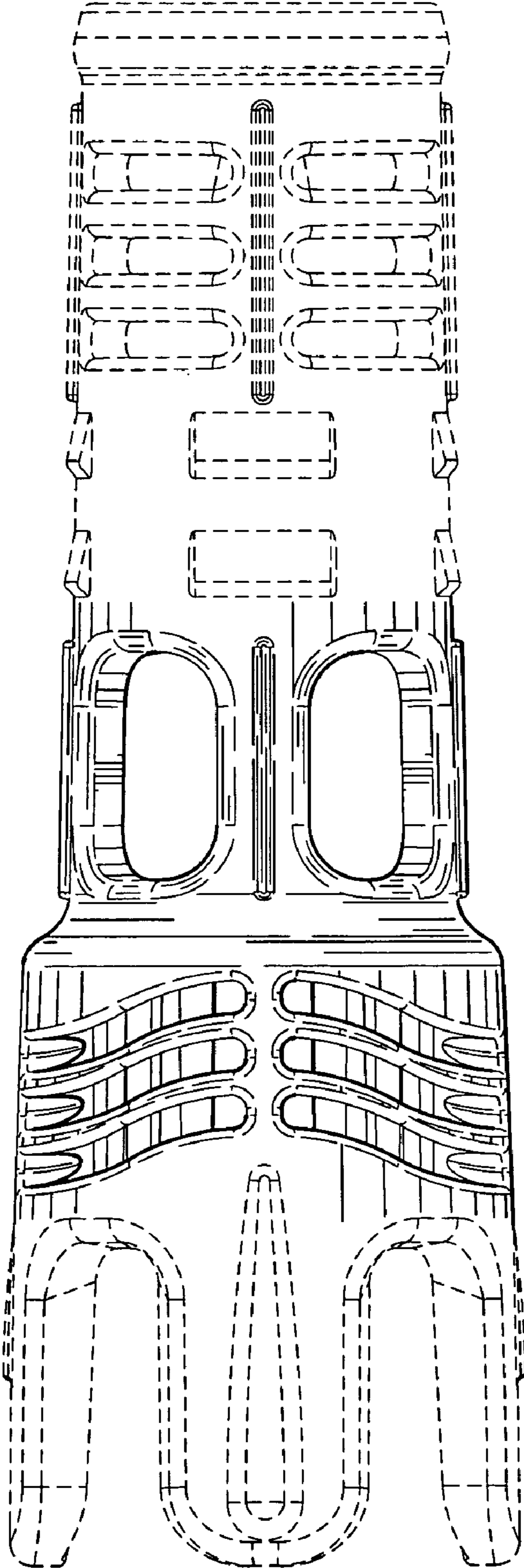


FIG. 3

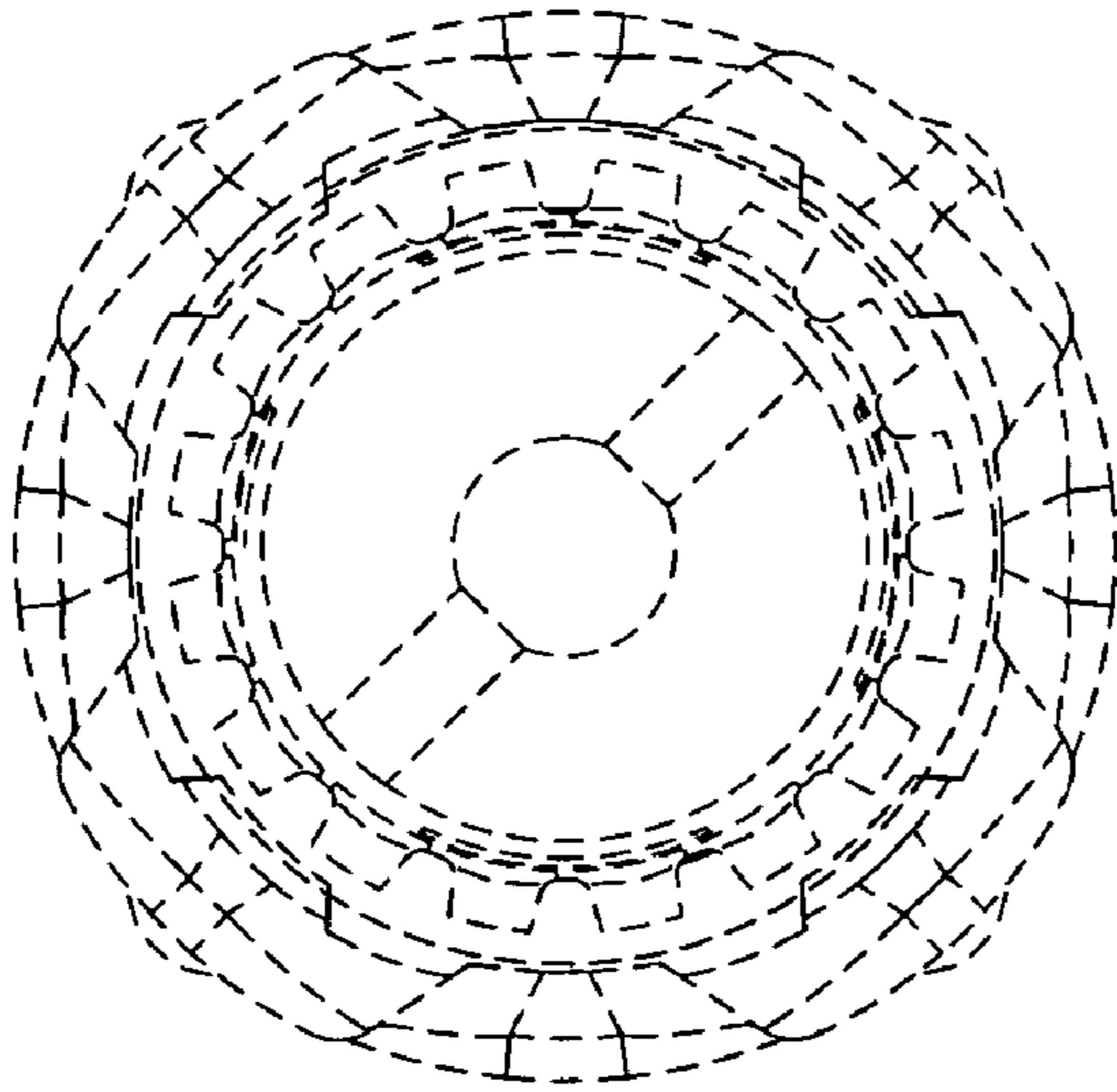


FIG. 5

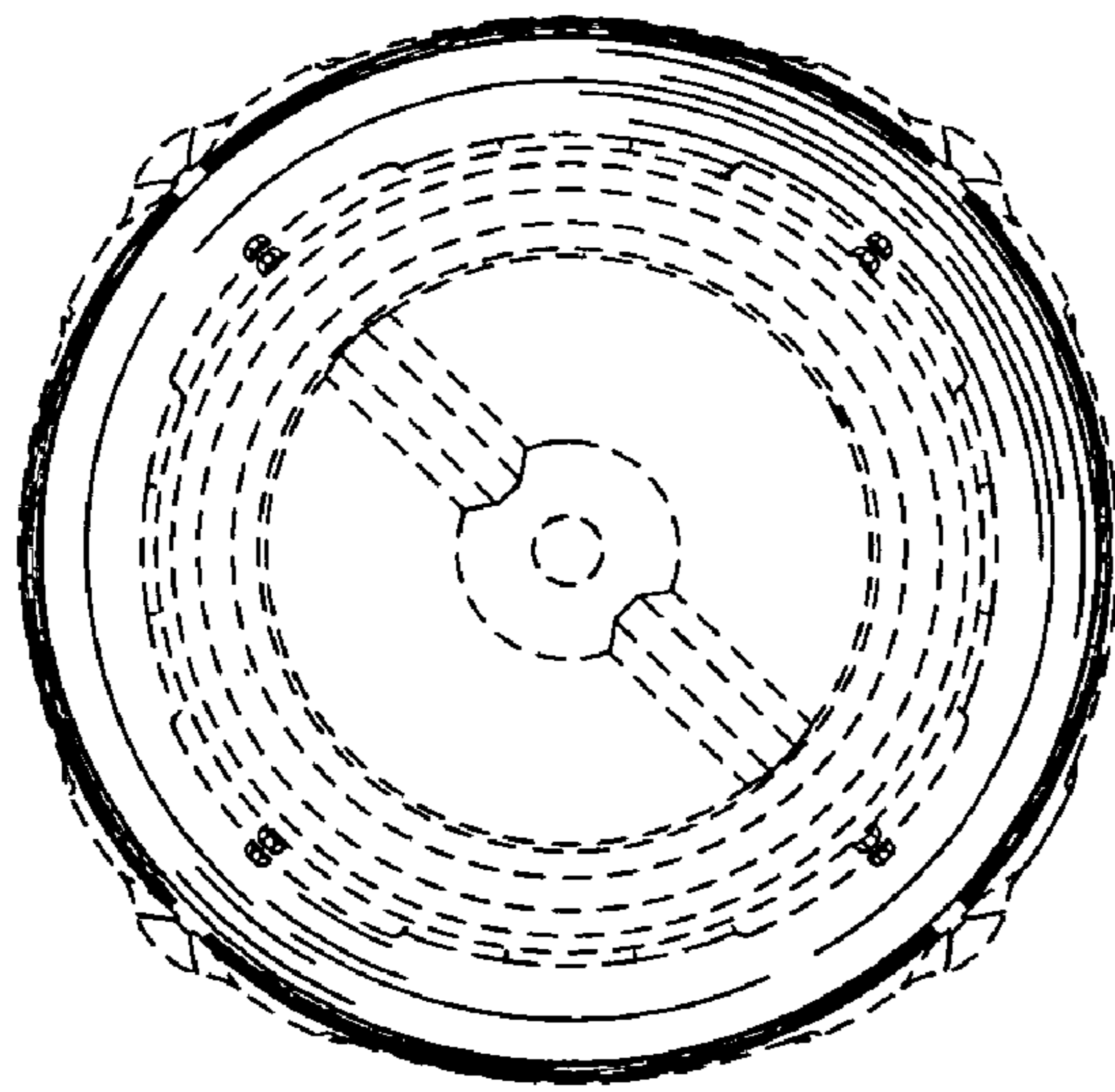


FIG. 4