



US00D657026S

(12) **United States Design Patent**  
**Berger et al.**

(10) **Patent No.:** **US D657,026 S**

(45) **Date of Patent:** **\*\* Apr. 3, 2012**

(54) **FAUCET SPOUT**

(75) Inventors: **Ryan R. Berger**, Columbus, OH (US);  
**Diana W. Juratovac**, Columbus, OH  
(US); **Richard L. Lane**, Columbus, OH  
(US); **Sun-Jan Alan Huang**, Columbus,  
OH (US)

(73) Assignee: **Masco Corporation of Indiana**,  
Indianapolis, IN (US)

(\*\*) Term: **14 Years**

(21) Appl. No.: **29/397,594**

(22) Filed: **Jul. 19, 2011**

(51) **LOC (9) Cl.** ..... **23-01**

(52) **U.S. Cl.** ..... **D23/255**

(58) **Field of Classification Search** ..... D23/255,  
D23/257, 238, 241-242; 4/675-678; 137/801  
See application file for complete search history.

(56) **References Cited**

U.S. PATENT DOCUMENTS

D186,012 S *	8/1959	Sosnick	.....	D23/252
D317,349 S *	6/1991	Rodstein	.....	D23/242
D325,773 S *	4/1992	Paul	.....	D23/255
D342,777 S *	12/1993	Paul	.....	D23/257

D512,125 S *	11/2005	Kulig	.....	D23/238
D529,994 S *	10/2006	Kulig	.....	D23/238
D609,309 S *	2/2010	Fritz	.....	D23/250
D621,478 S *	8/2010	Kulig	.....	D23/242

\* cited by examiner

*Primary Examiner* — Robert Delehanty

(74) *Attorney, Agent, or Firm* — Edgar A. Zarins; Nirav D. Parikh; Lora J. Granetzdoerffer

(57) **CLAIM**

The ornamental design for a faucet spout, as shown and described.

**DESCRIPTION**

FIG. 1 is a perspective view of a faucet spout showing our new design;

FIG. 2 is a second perspective view thereof;

FIG. 3 is a top plan view thereof;

FIG. 4 is a left side view thereof;

FIG. 5 is a right side view thereof;

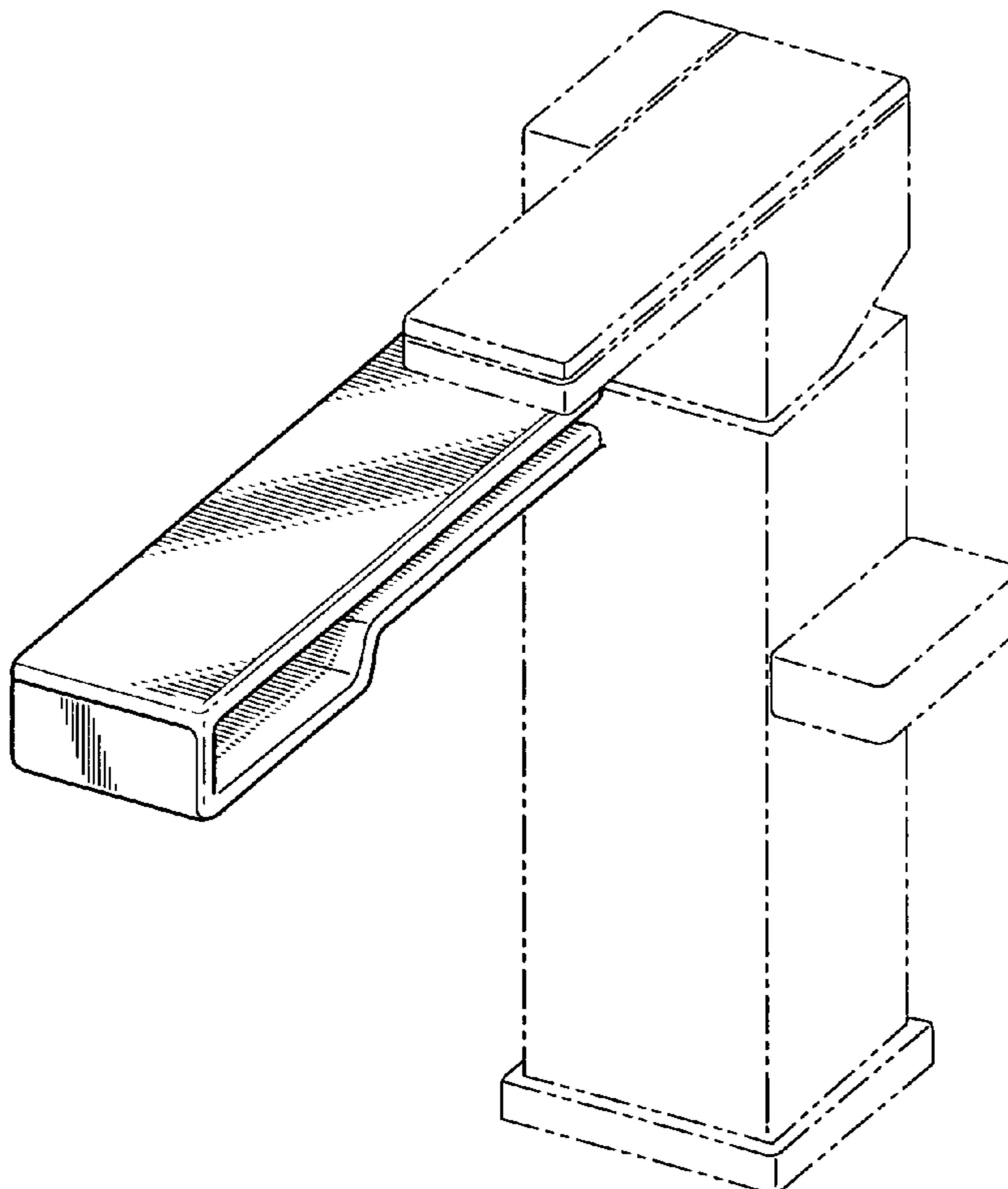
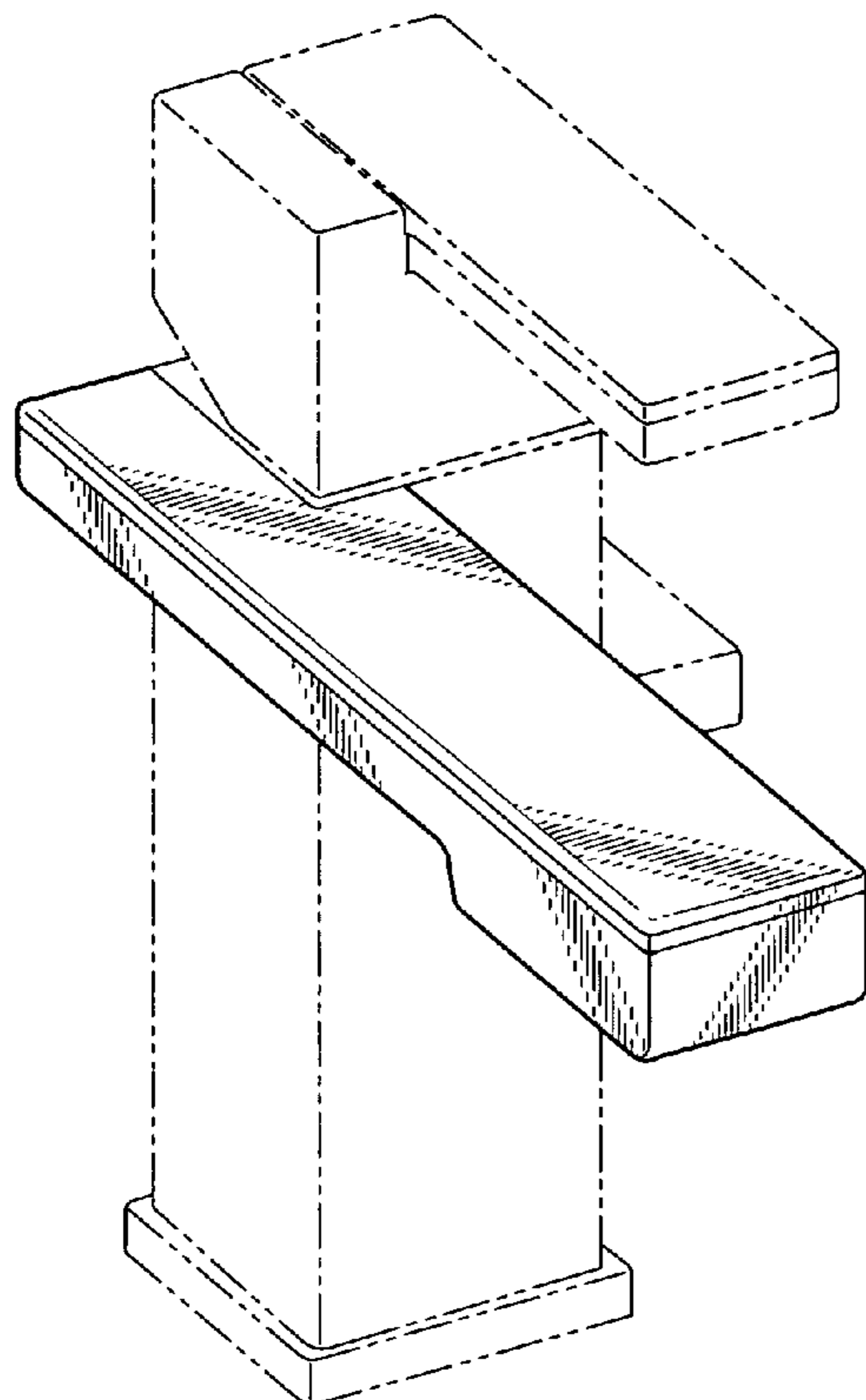
FIG. 6 is a bottom view thereof;

FIG. 7 is a rear view thereof; and,

FIG. 8 is a front view thereof.

The broken line shown in the drawing views is included for the purpose of illustrating a portion of the faucet that forms no part of the claimed design.

**1 Claim, 2 Drawing Sheets**



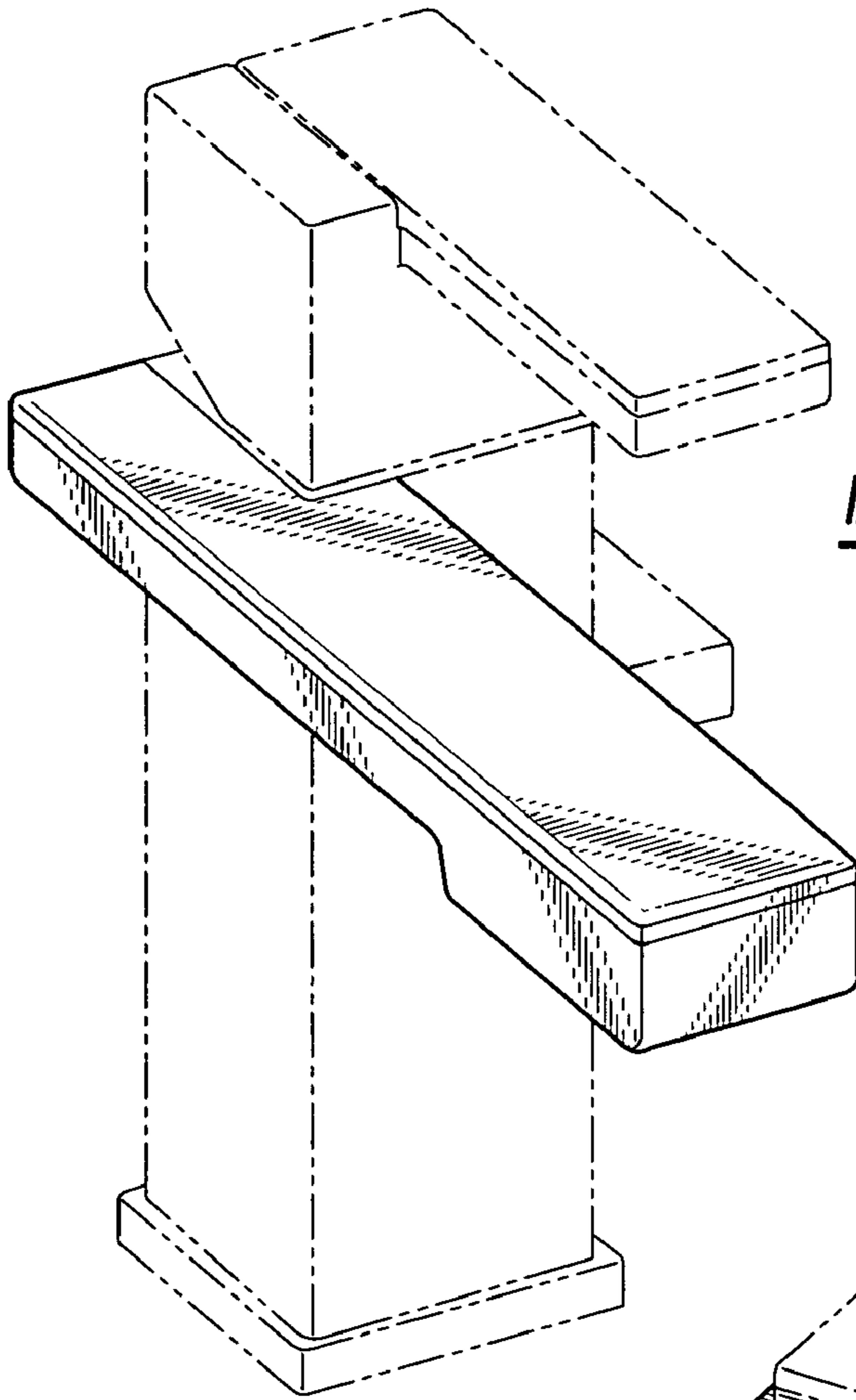


Fig-1

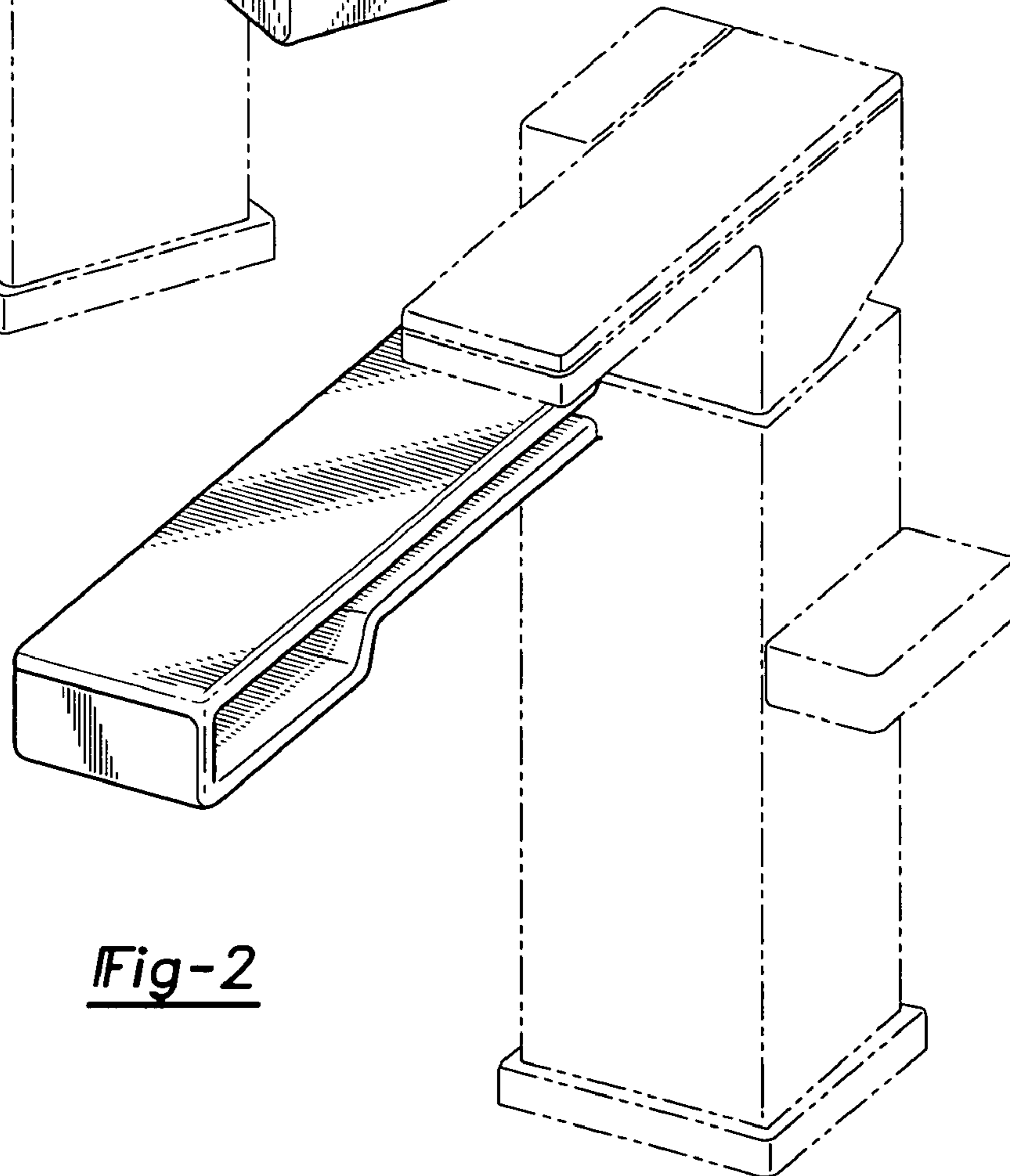


Fig-2

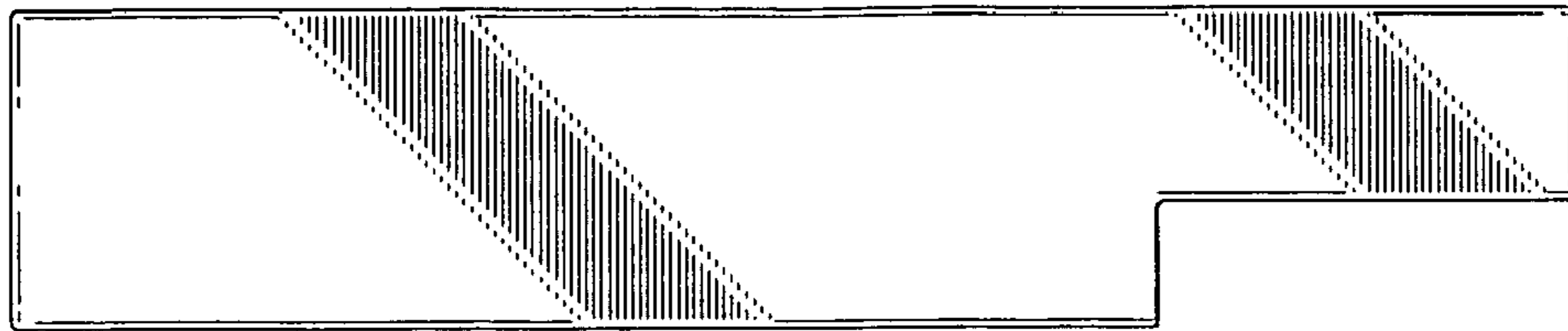


Fig-3

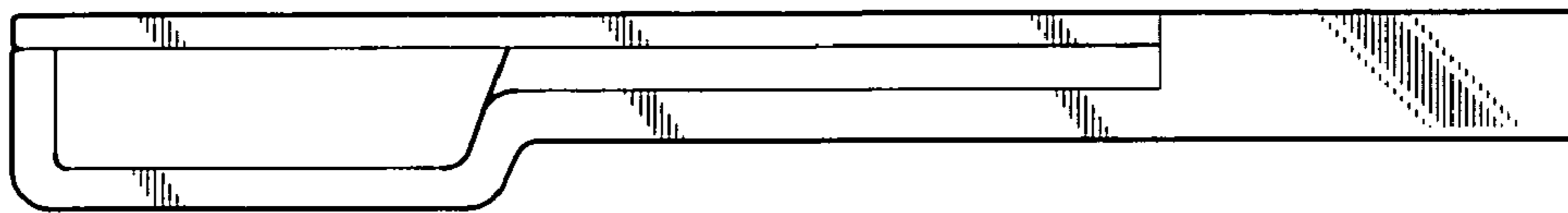


Fig-4

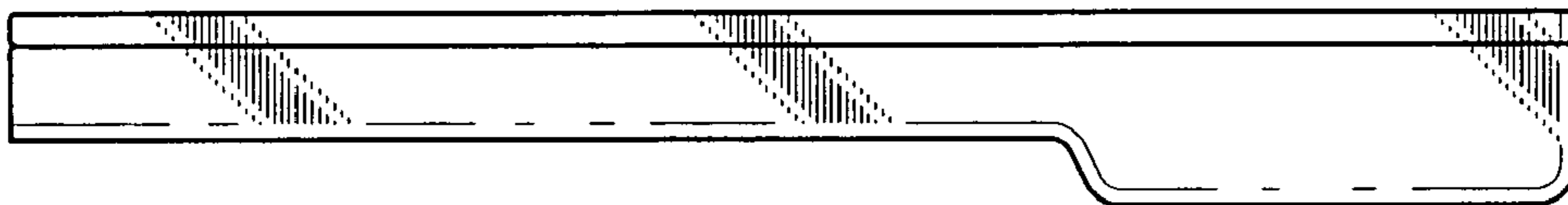


Fig-5

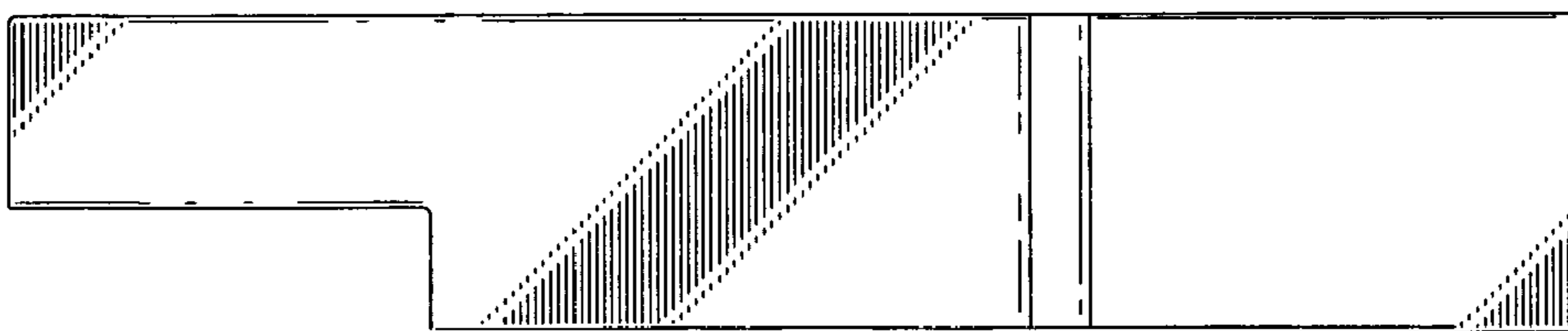


Fig-6



Fig-7

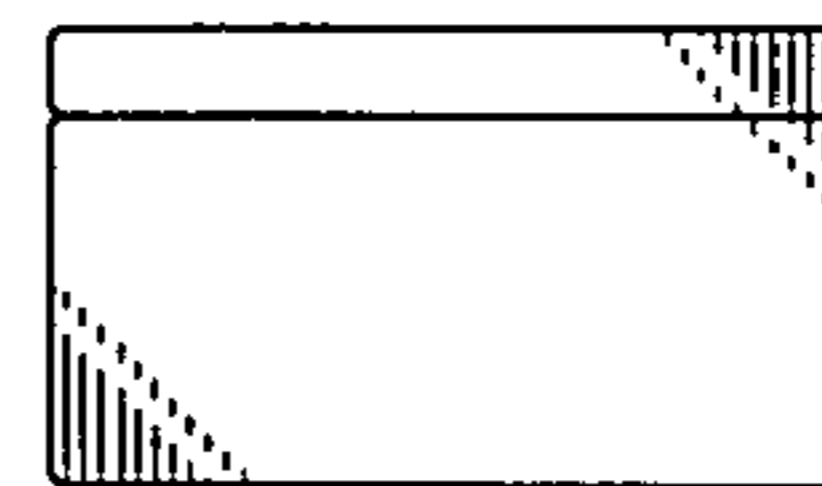


Fig-8