

US00D657023S

(12) **United States Design Patent**
McKeone

(10) **Patent No.:** **US D657,023 S**

(45) **Date of Patent:** **** Apr. 3, 2012**

(54) **HANDLE AND ESCUTCHEON**

(75) Inventor: **William C. McKeone**, Sheboygan, WI
(US)

(73) Assignee: **Kohler Co.**, Kohler, WI (US)

(**) Term: **14 Years**

(21) Appl. No.: **29/376,997**

(22) Filed: **Oct. 15, 2010**

(30) **Foreign Application Priority Data**

Apr. 15, 2010 (EM) 001208771

(51) **LOC (9) Cl.** **23-02**

(52) **U.S. Cl.** **D23/253**

(58) **Field of Classification Search** D23/250,
D23/252-254

See application file for complete search history.

(56) **References Cited**

U.S. PATENT DOCUMENTS

D363,765 S * 10/1995 Starck D23/254

D442,263 S * 5/2001 Warshawsky et al. D23/252

D474,671 S * 5/2003 Singtoroj et al. D23/252
D523,525 S * 6/2006 Hoernig D23/250
D531,276 S * 10/2006 Tsai D23/254

* cited by examiner

Primary Examiner — Robert Delehanty

(74) *Attorney, Agent, or Firm* — Foley & Lardner LLP

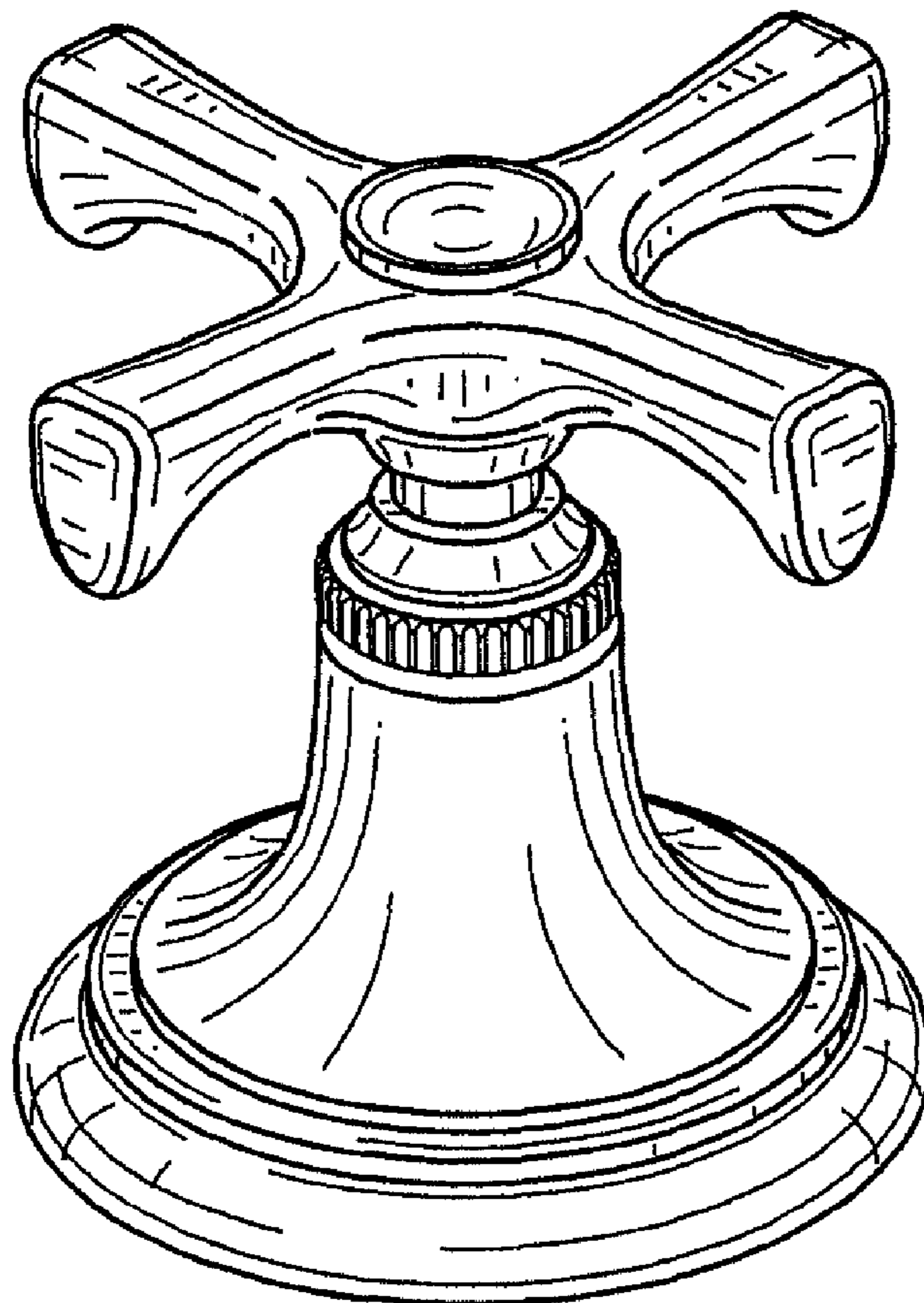
(57) **CLAIM**

The ornamental design for a handle and escutcheon, as shown and described.

DESCRIPTION

FIG. 1 is a top, right, front perspective view of a handle embodying the new design;
FIG. 2 is a right side view thereof;
FIG. 3 is a left side view thereof;
FIG. 4 is a front elevational view thereof;
FIG. 5 is a rear elevational view thereof;
FIG. 6 is a top plan view thereof; and,
FIG. 7 is a bottom plan view thereof.
The broken line representation of the bottom surface in FIGS. 7 are for the purpose of illustration only, and form no part of the claimed designs.

1 Claim, 4 Drawing Sheets



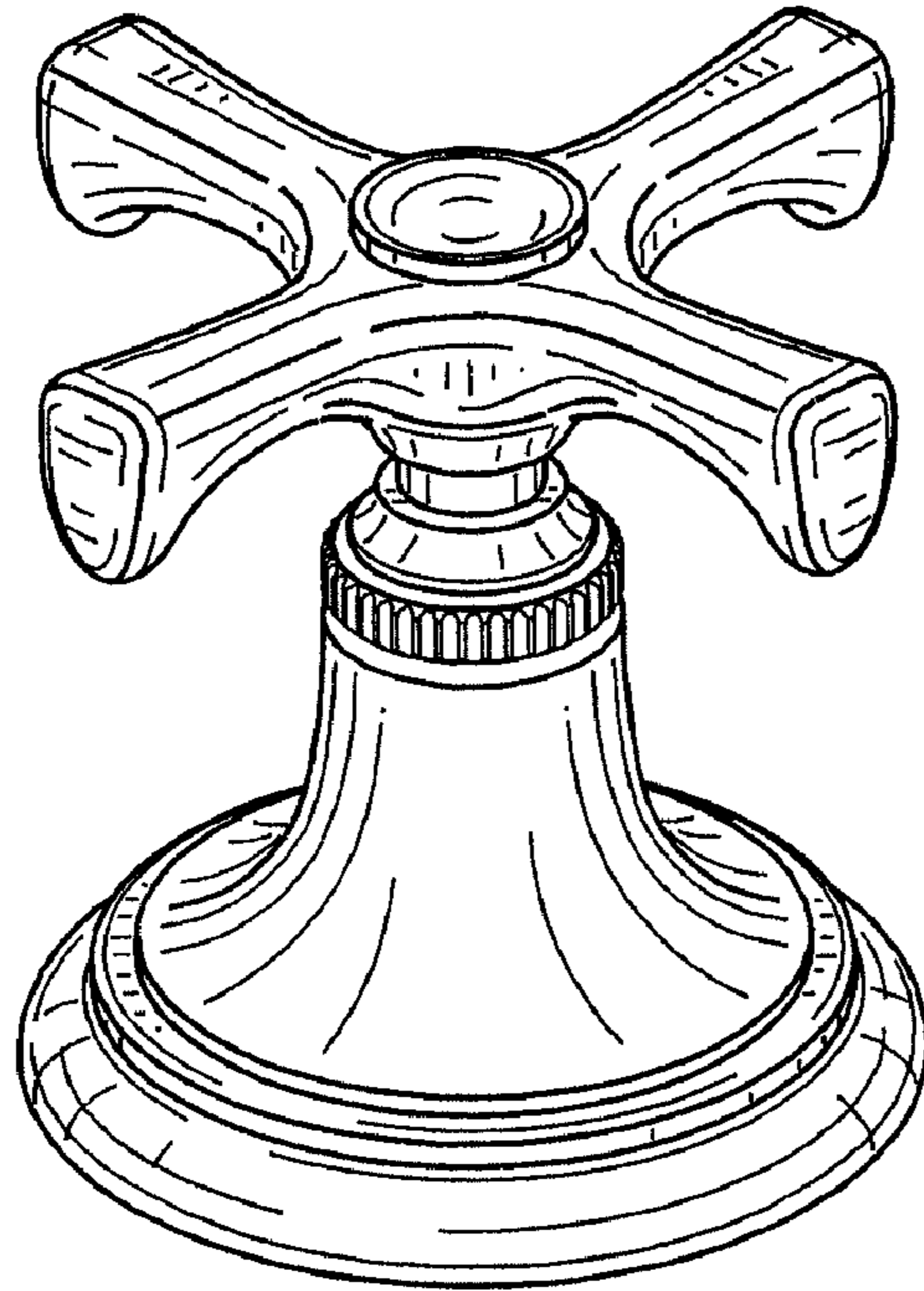


FIG. 1

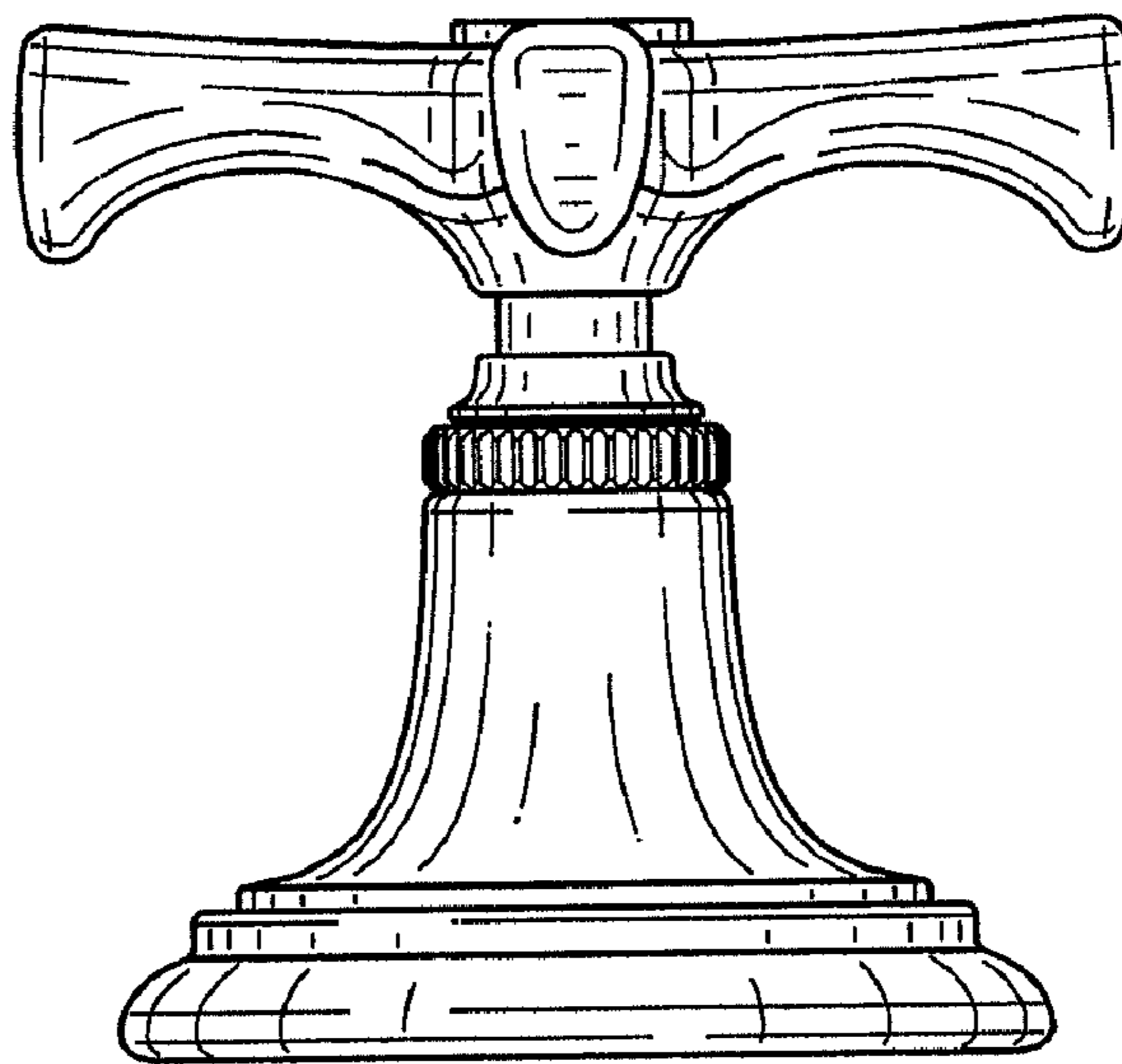


FIG. 2

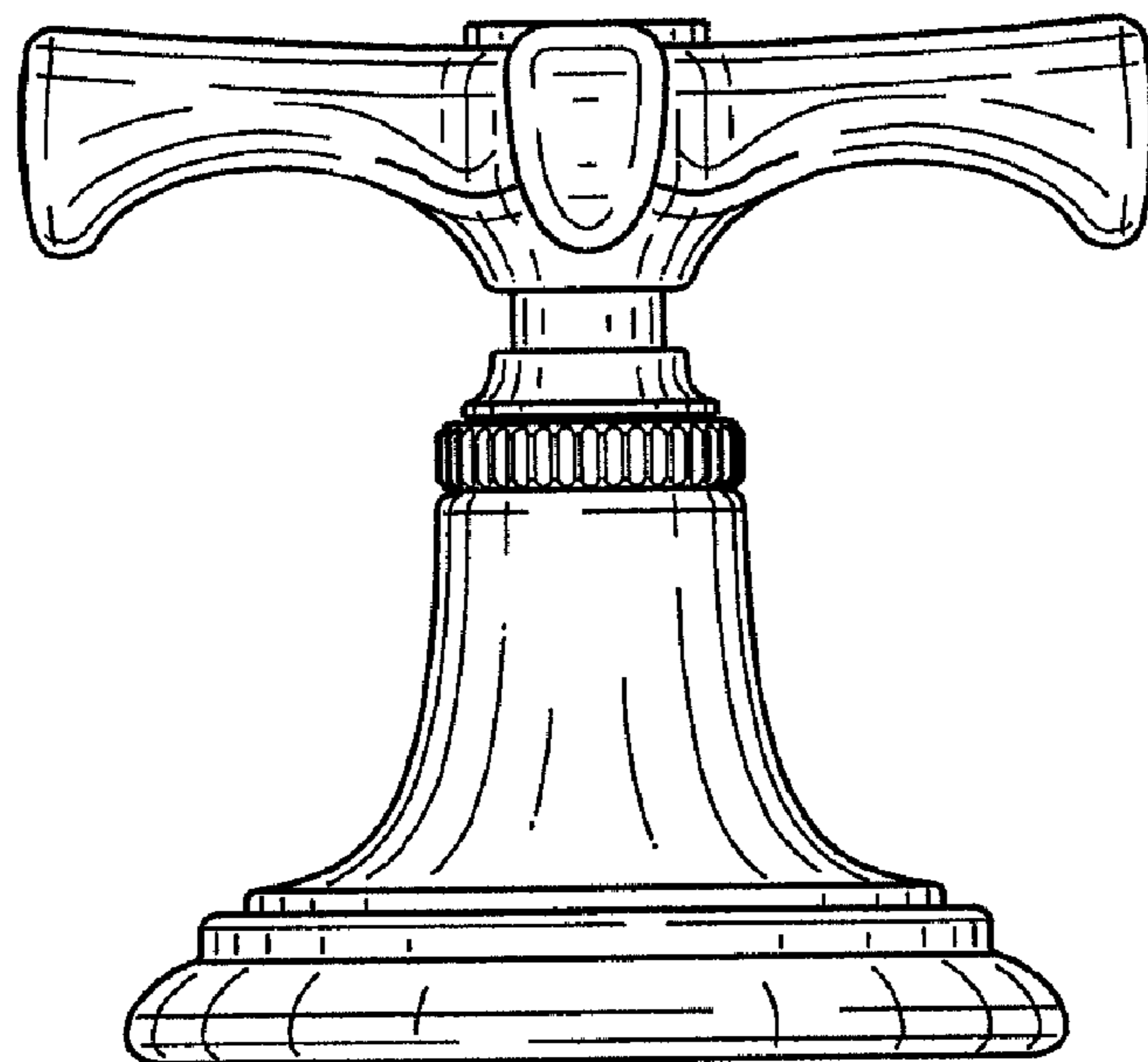


FIG. 3

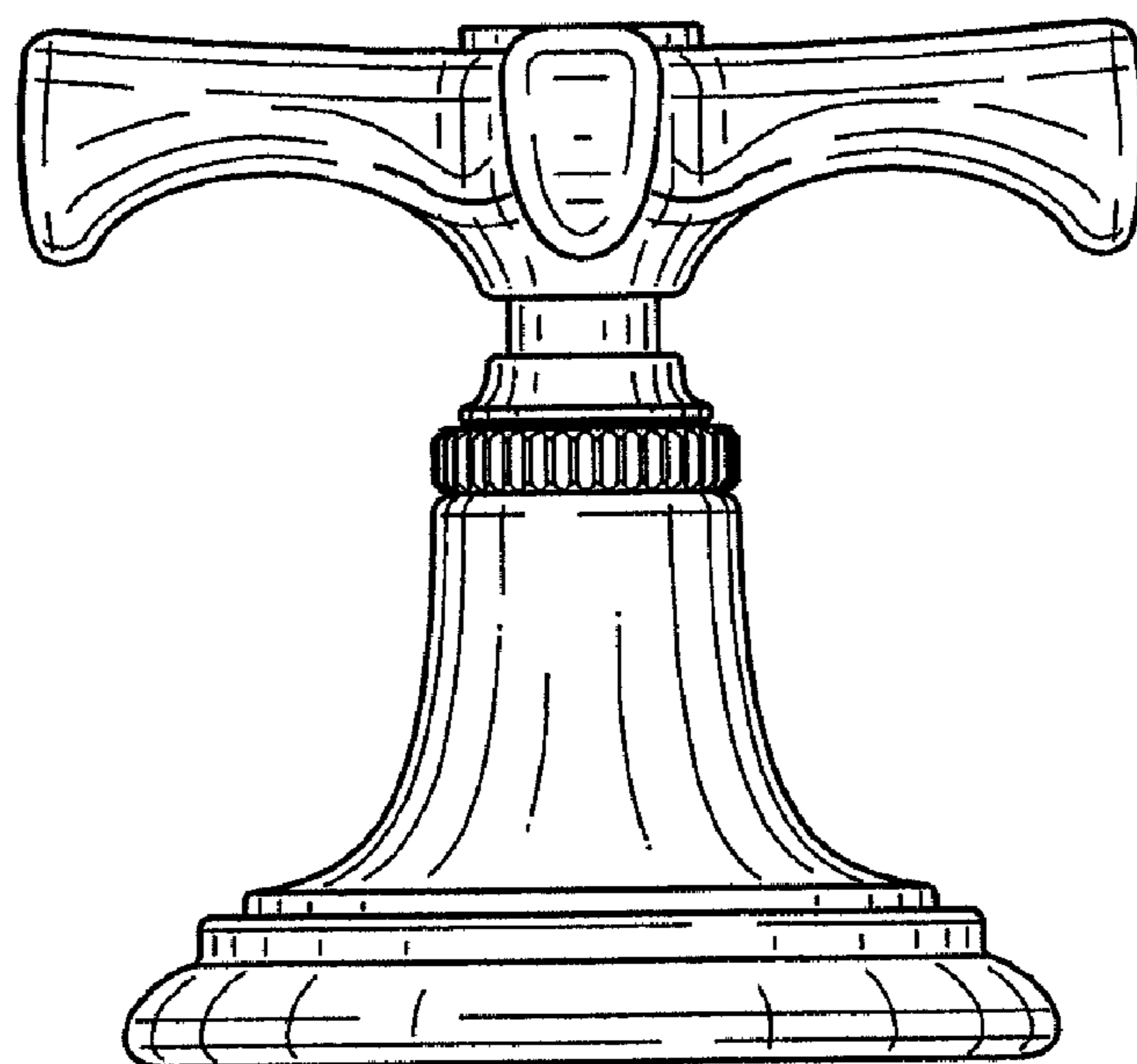


FIG. 4

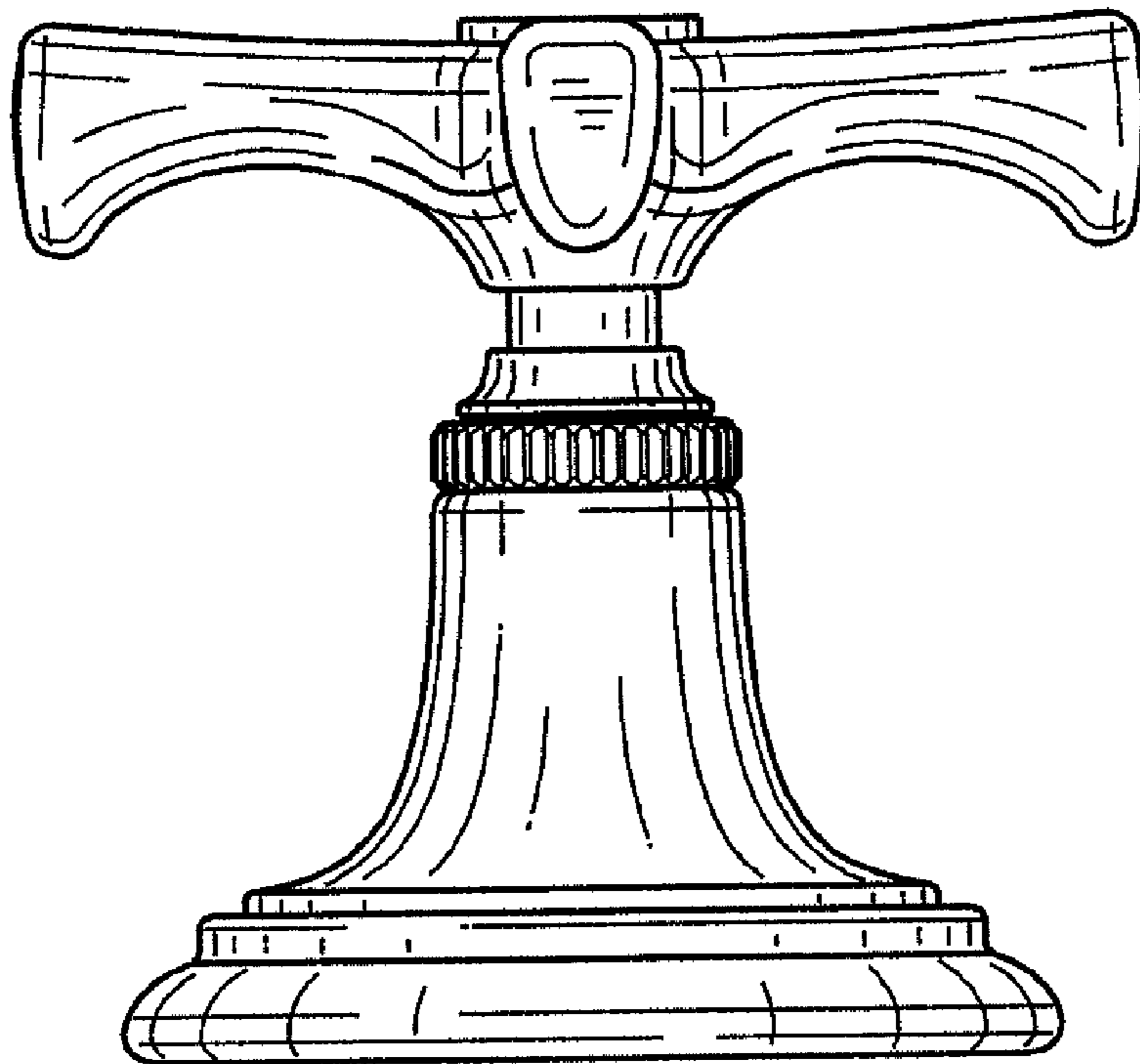


FIG. 5

FIG. 6

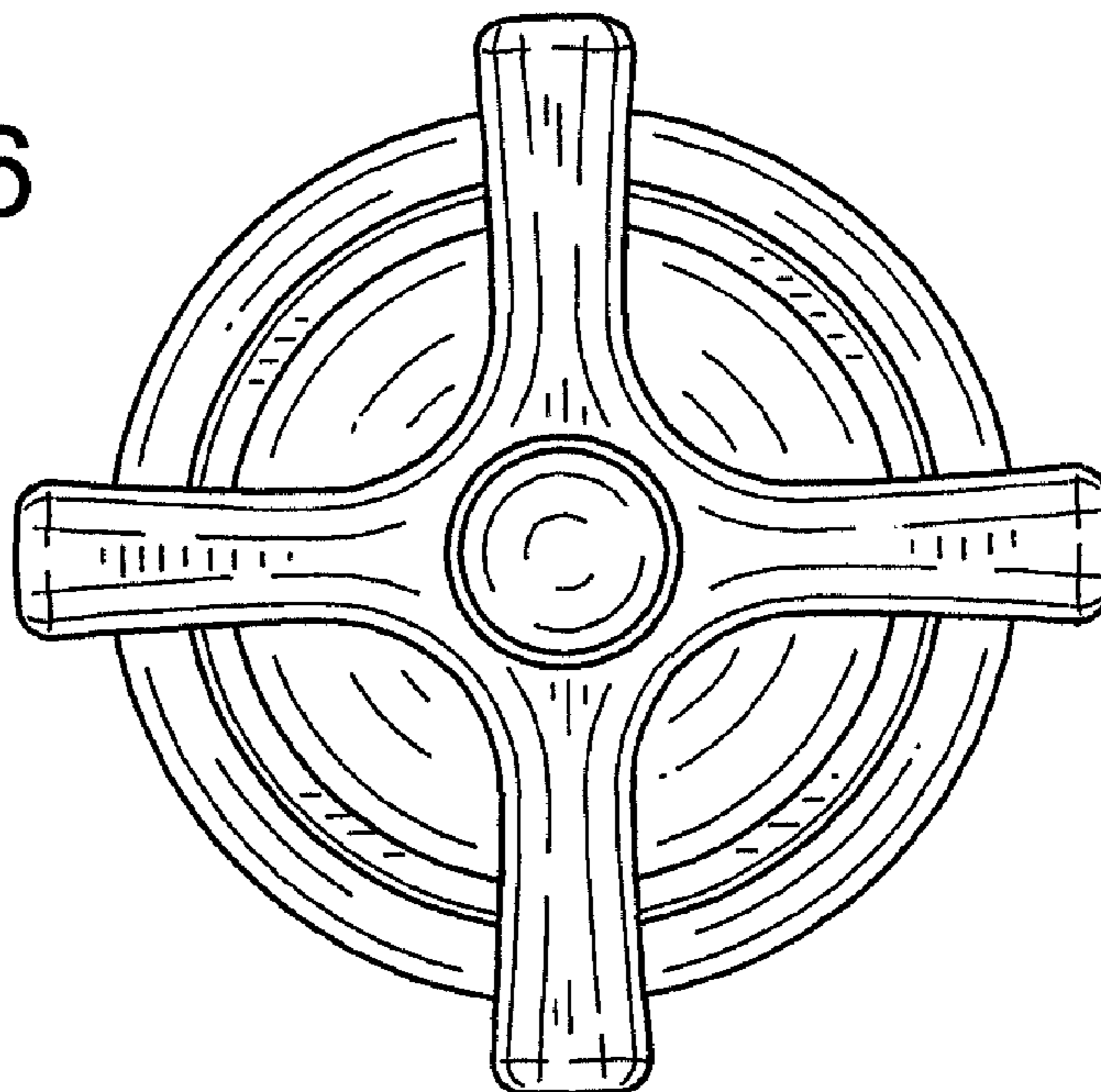


FIG. 7

