



US00D657020S

(12) **United States Design Patent**  
**Flowers et al.**

(10) **Patent No.:** **US D657,020 S**

(45) **Date of Patent:** **\*\* Apr. 3, 2012**

(54) **VALVE**

2011/0115215 A1\* 5/2011 Cronje et al. .... 285/129.1  
\* cited by examiner

(75) Inventors: **Paul Flowers**, Duesseldorf (DE); **Jochen Allard**, Menden (DE)

*Primary Examiner* — Cathron C. Brooks

*Assistant Examiner* — Maurice Stevens

(73) Assignee: **Grohe AG**, Hemer (DE)

(74) *Attorney, Agent, or Firm* — Muncy, Geissler, Olds & Lowe, PLLC

(\*\*) Term: **14 Years**

(21) Appl. No.: **29/388,355**

(57) **CLAIM**

The ornamental design for a valve, as shown and described.

(22) Filed: **Mar. 28, 2011**

**DESCRIPTION**

(51) **LOC (9) Cl.** ..... **23-01**

(52) **U.S. Cl.** ..... **D23/249**

(58) **Field of Classification Search** ..... D23/233–250,  
D23/252, 254; D8/308, 350–353; 4/676–677;  
137/350–353

FIG. 1 is a left side elevational view of the valve of the present invention, the right side elevational view being a mirror image thereof.

FIG. 2 is a front elevational view of the valve of FIG. 1.

FIG. 3 is a rear elevation view of the valve of FIG. 1.

FIG. 4 is a top plan view of the valve of FIG. 1.

FIG. 5 is a bottom plan view of the valve of FIG. 1; and,

FIG. 6 is a three-quarter view of the valve of FIG. 1.

See application file for complete search history.

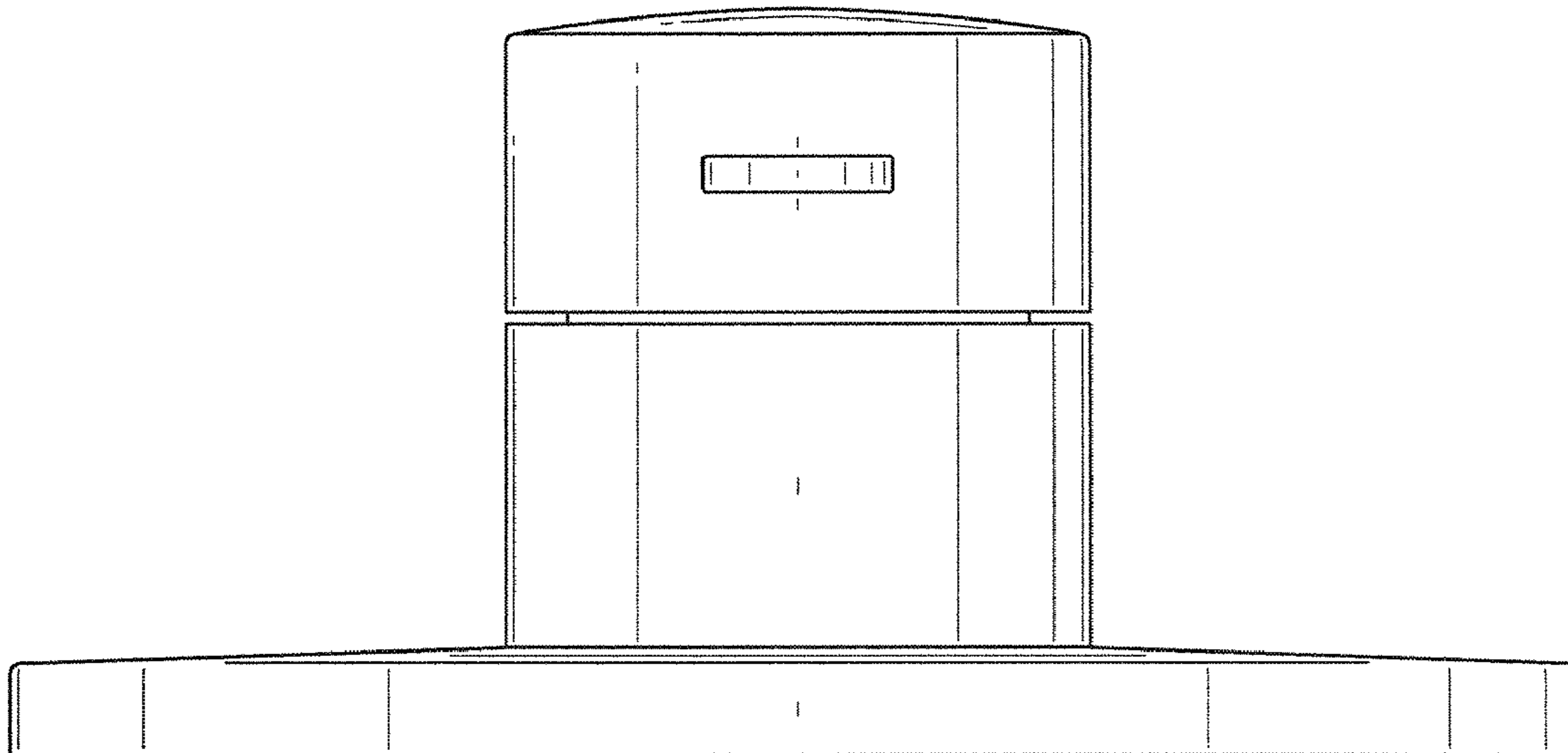
The dashed lines illustrate environment that does not form a part of the present invention, and no claim is made to the material illustrated with dashed lines.

(56) **References Cited**

**U.S. PATENT DOCUMENTS**

D345,004 S *	3/1994	Bengtson	.....	D23/254
D568,446 S *	5/2008	Tsai	.....	D23/249
D574,061 S *	7/2008	Rexach	.....	D23/254
D587,345 S *	2/2009	Montgomery et al.	.....	D23/254
D622,819 S *	8/2010	Tippens et al.	.....	D23/252

**1 Claim, 6 Drawing Sheets**



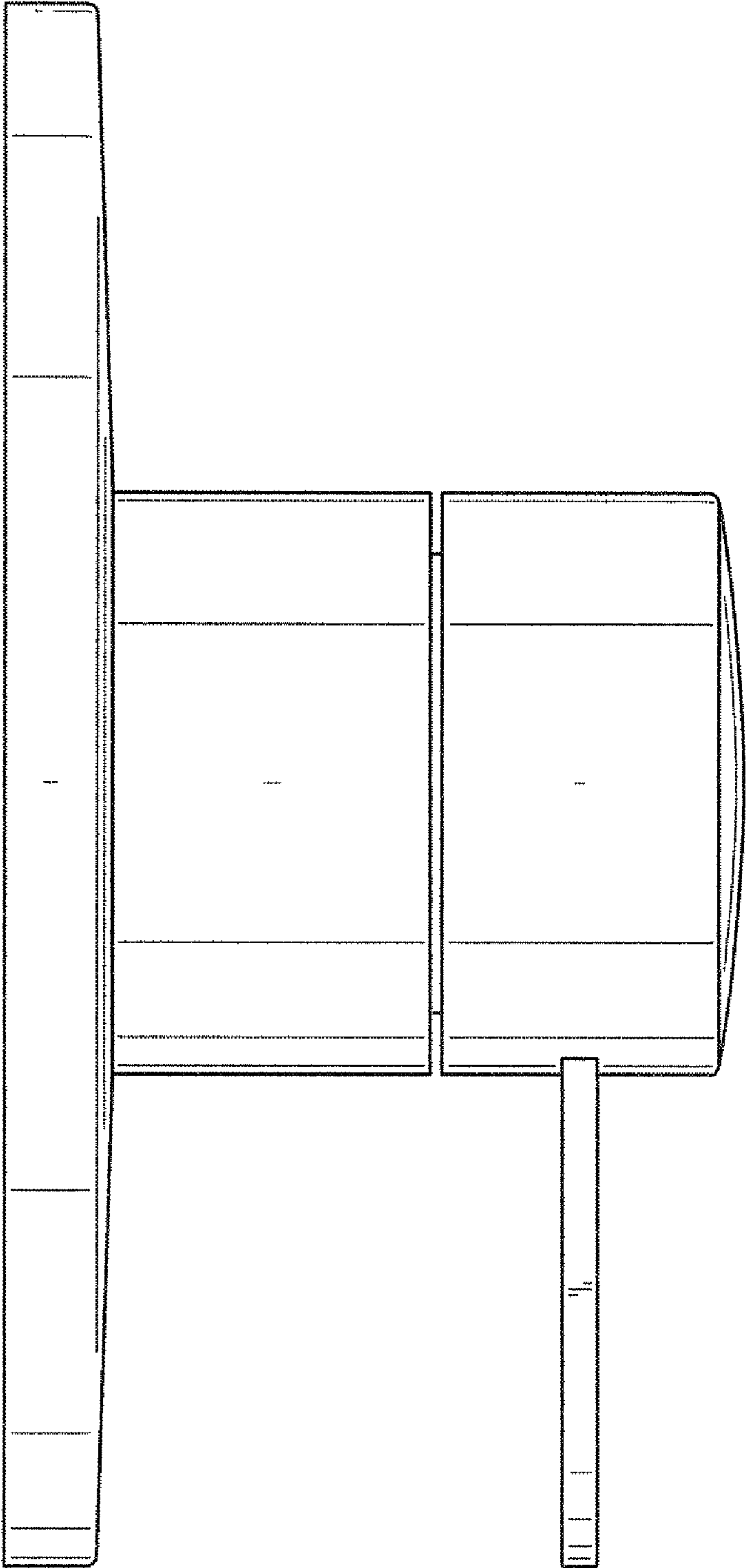


FIG. 1

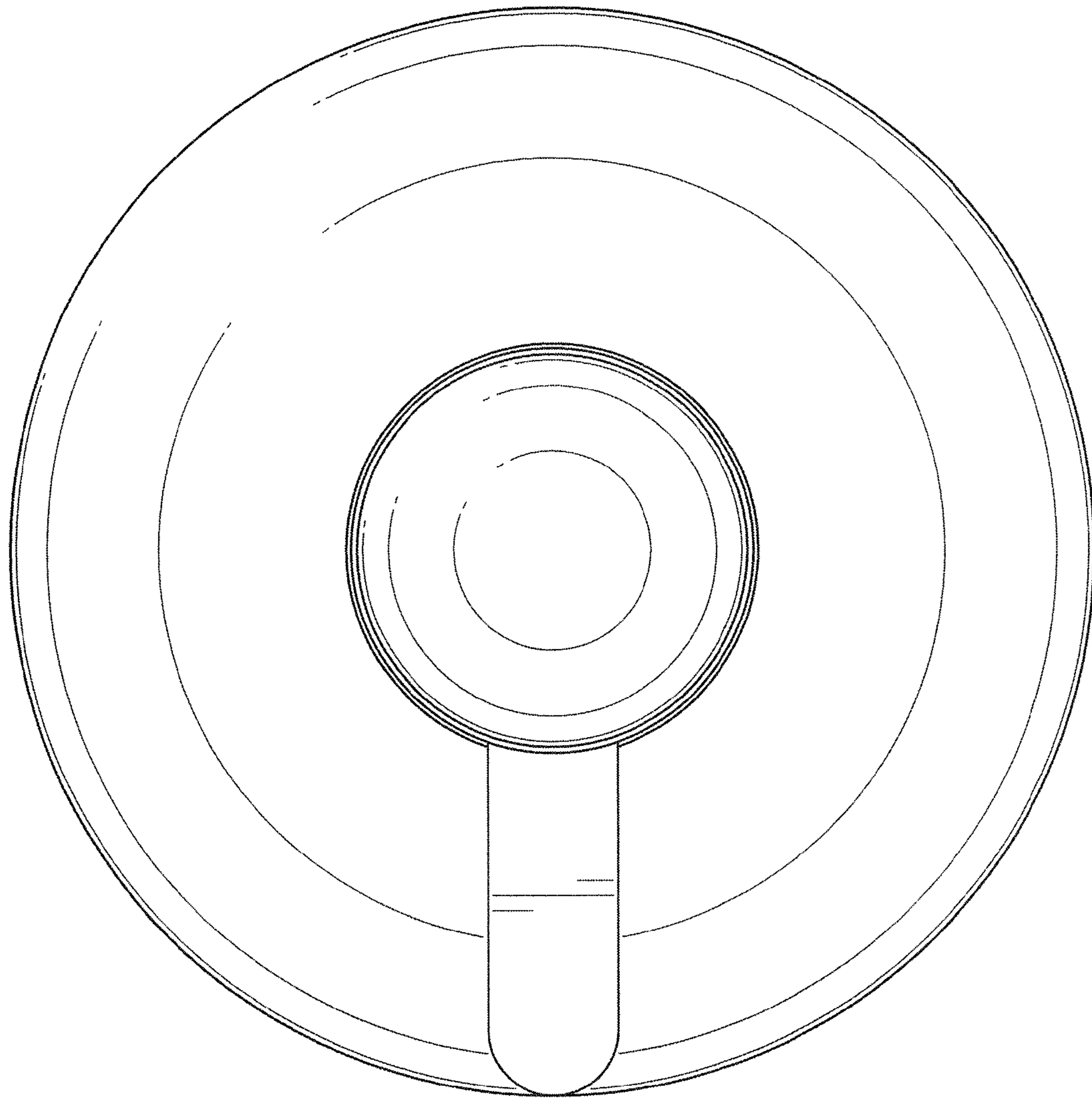


FIG. 2

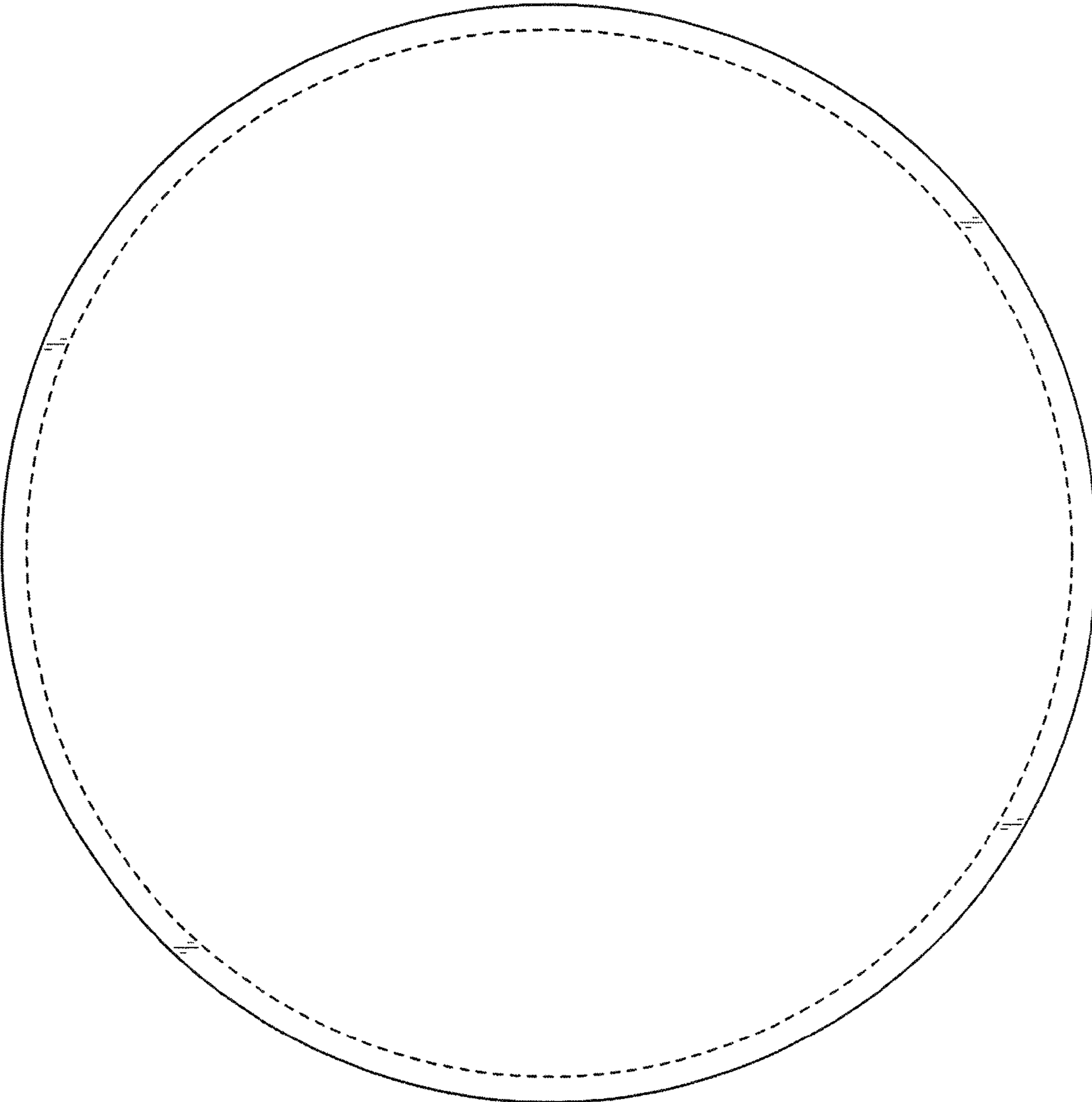


FIG. 3

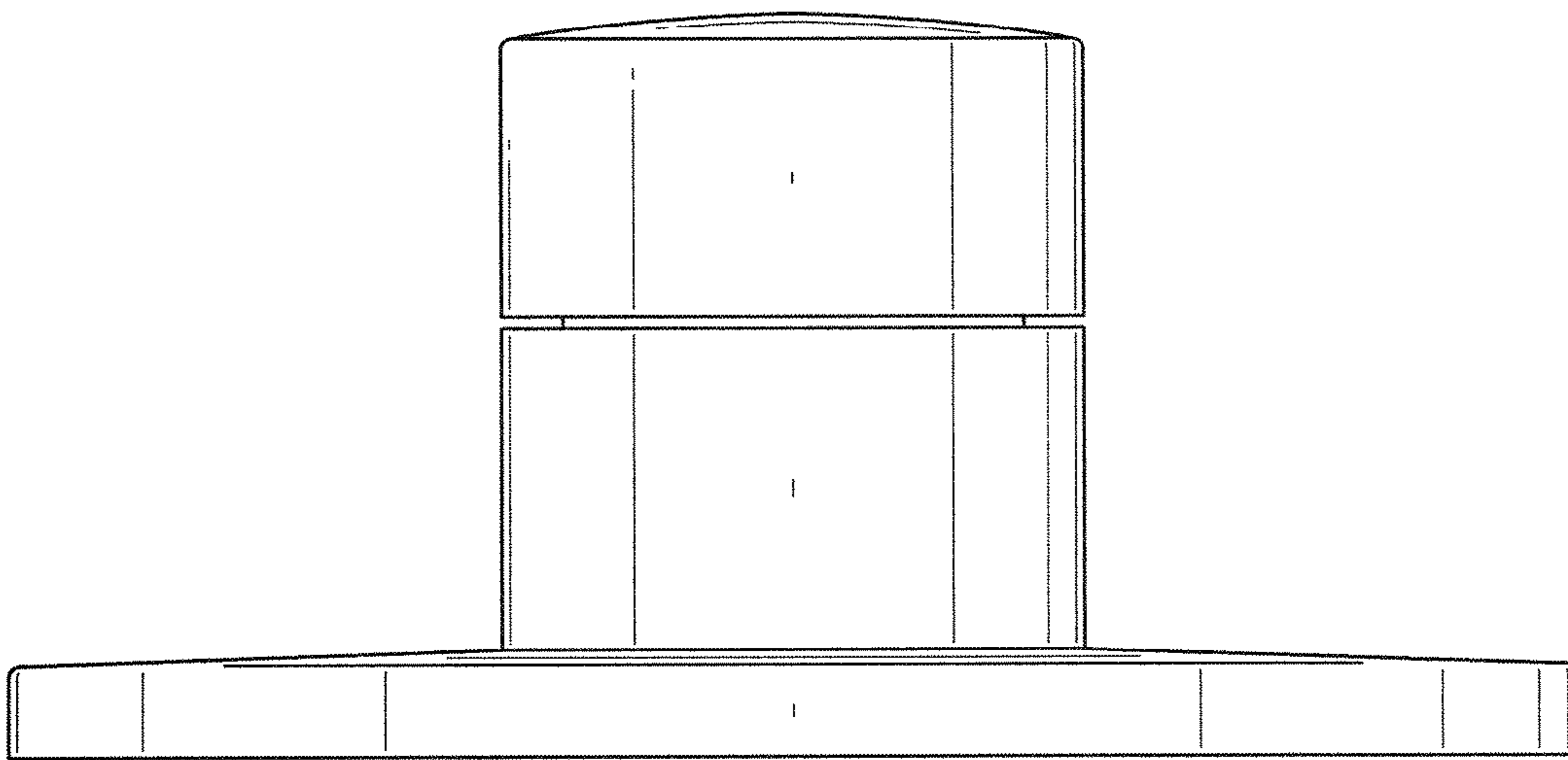


FIG. 4

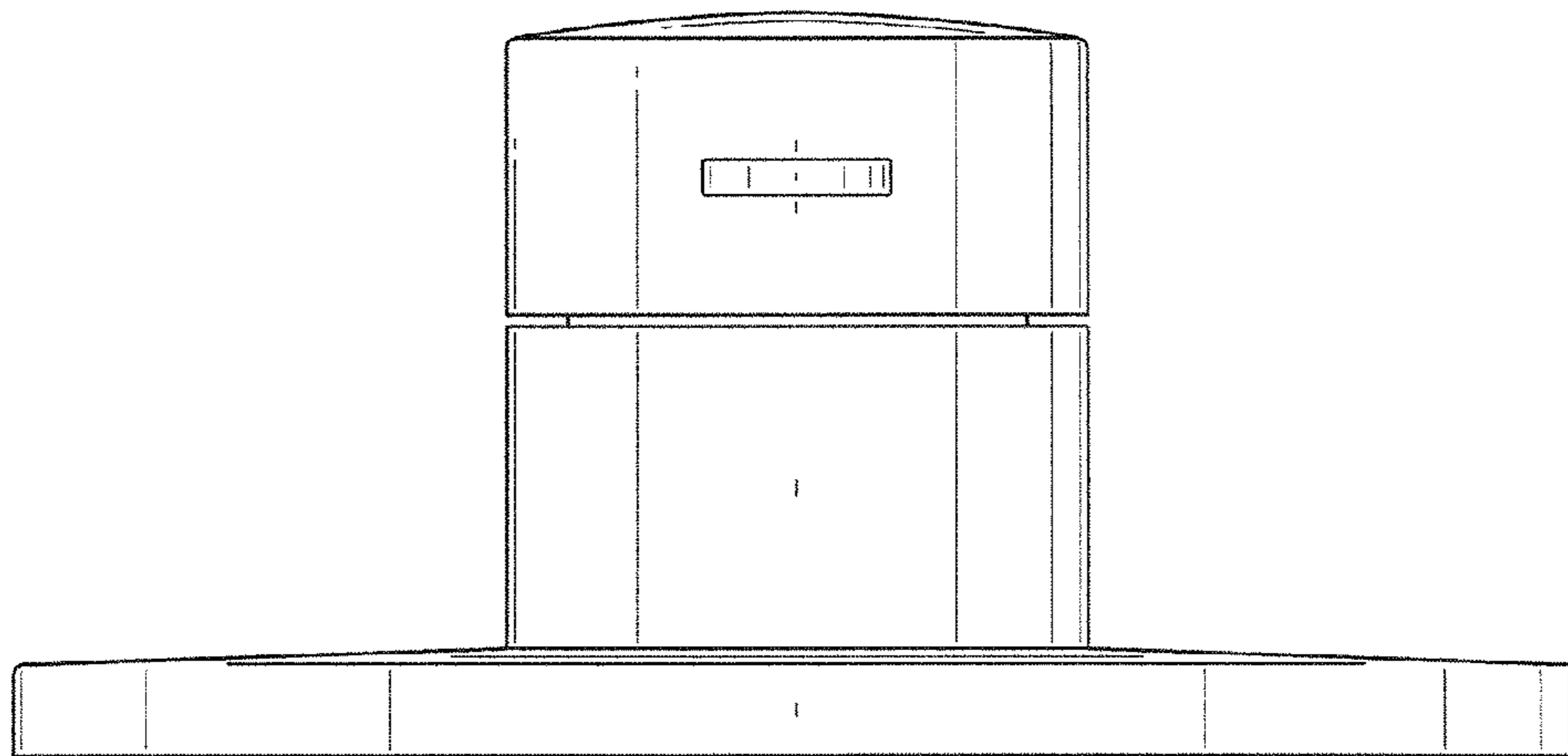


FIG. 5

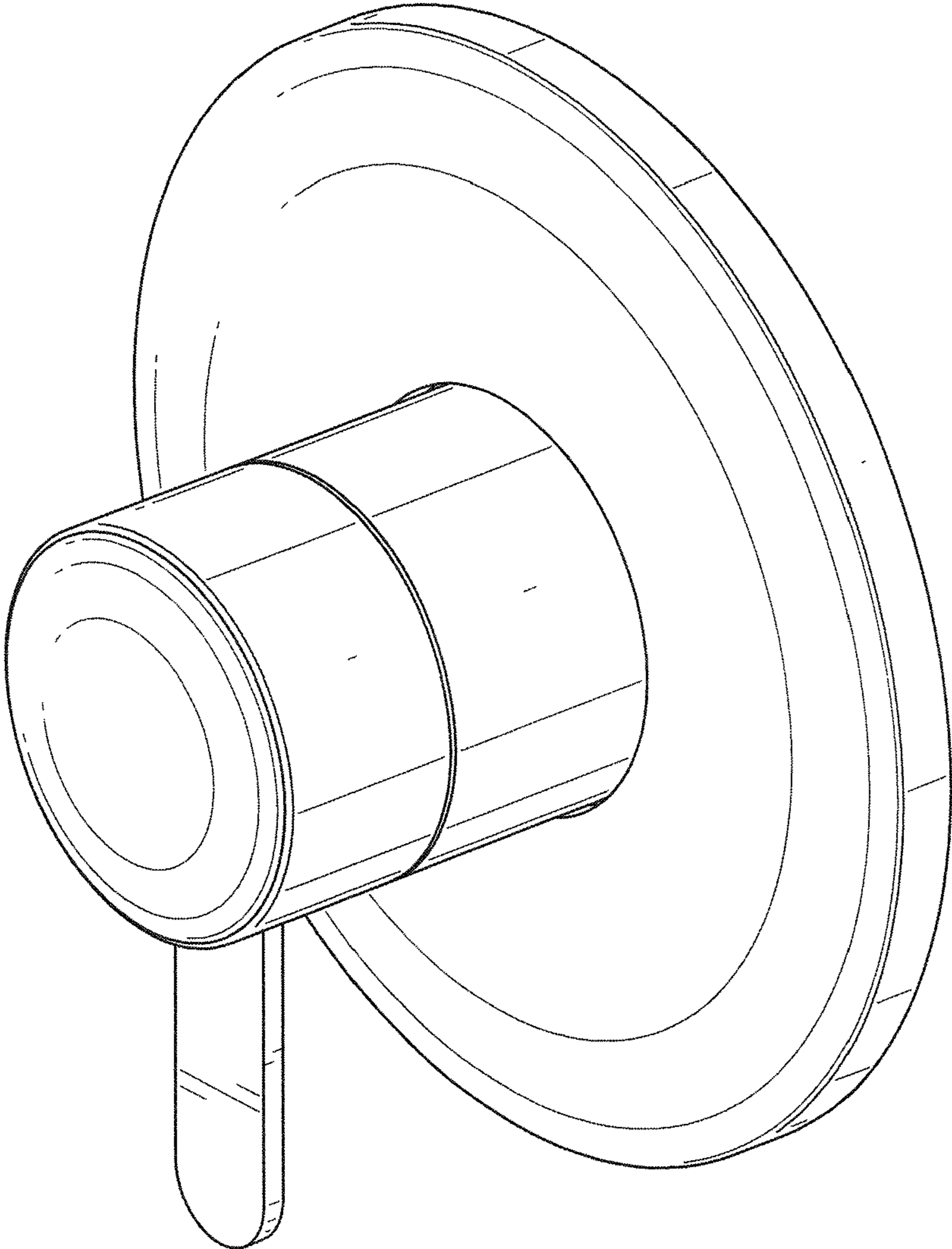


FIG. 6