



US00D657019S

(12) **United States Design Patent**
Padgett

(10) **Patent No.:** **US D657,019 S**

(45) **Date of Patent:** **** Apr. 3, 2012**

(54) **FAUCET**

D529,137 S * 9/2006 Chu et al. D23/241
D578,614 S * 10/2008 Fritz et al. D23/241
D582,522 S * 12/2008 Hanna D23/250

(75) Inventor: **Alex Padgett**, Atlanta, GA (US)

* cited by examiner

(73) Assignee: **Masco Corporation of Indiana**,
Indianapolis, IN (US)

Primary Examiner — Robert Delehanty

(**) Term: **14 Years**

(74) *Attorney, Agent, or Firm* — Edgar A. Zarins; Nirav D. Parikh; Lora J. Graentzdoerffer

(21) Appl. No.: **29/400,616**

(57) **CLAIM**

The ornamental design for a faucet, as shown and described.

(22) Filed: **Aug. 31, 2011**

DESCRIPTION

(51) **LOC (9) Cl.** **23-01**

(52) **U.S. Cl.** **D23/242; D23/254**

(58) **Field of Classification Search** D23/255,
D23/257, 238, 241–242, 250, 252, 254; 4/675–678;
137/801

See application file for complete search history.

FIG. 1 is a perspective view of a faucet showing my new design;

FIG. 2 is a left side view thereof, the opposite side being a mirror image of the side shown;

FIG. 3 is a top plan view thereof;

FIG. 4 is a front elevational view thereof;

FIG. 5 is a rear view thereof; and,

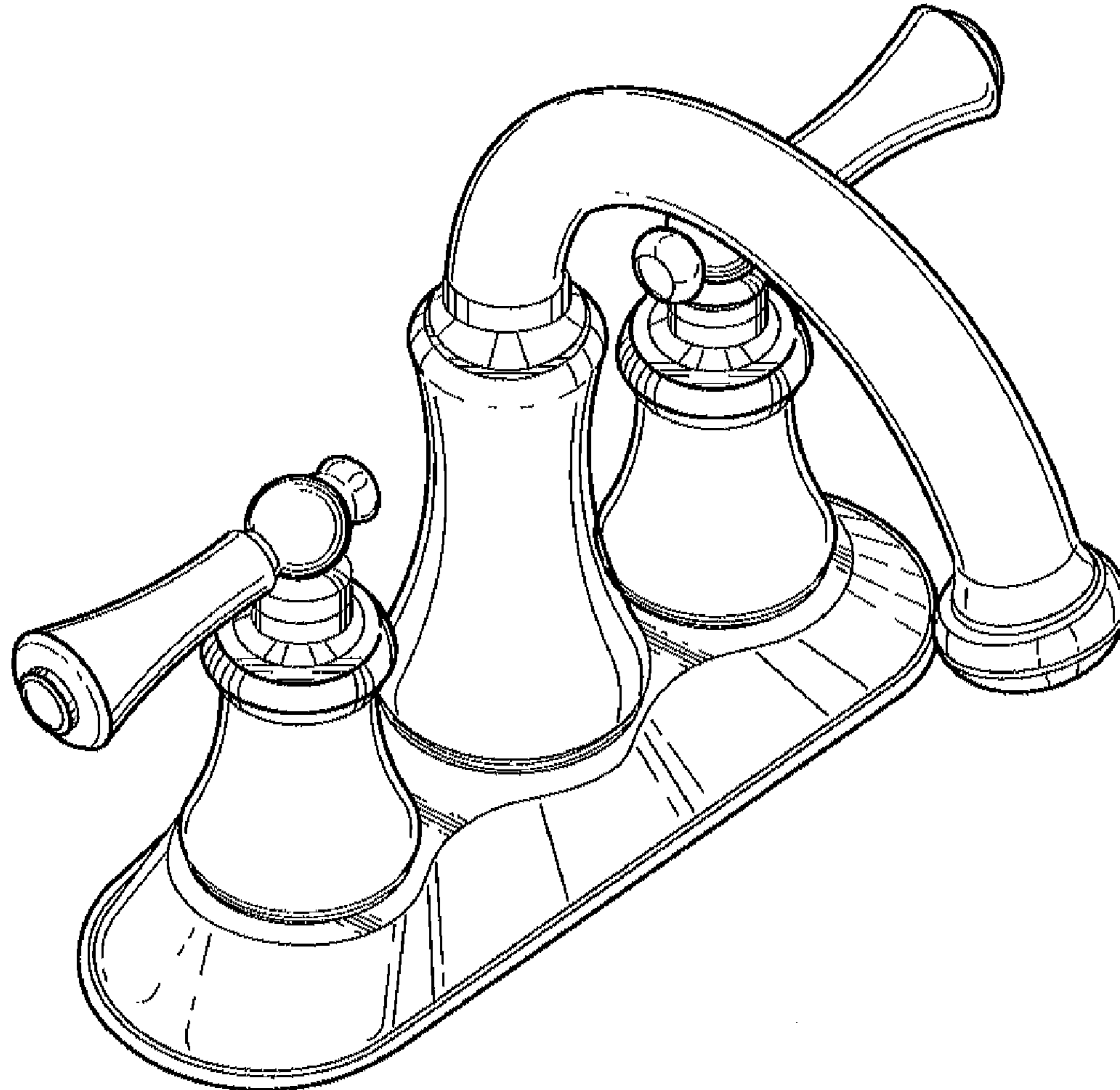
FIG. 6 is a bottom view thereof.

(56) **References Cited**

U.S. PATENT DOCUMENTS

D527,079 S * 8/2006 Yoshioka D23/255

1 Claim, 3 Drawing Sheets



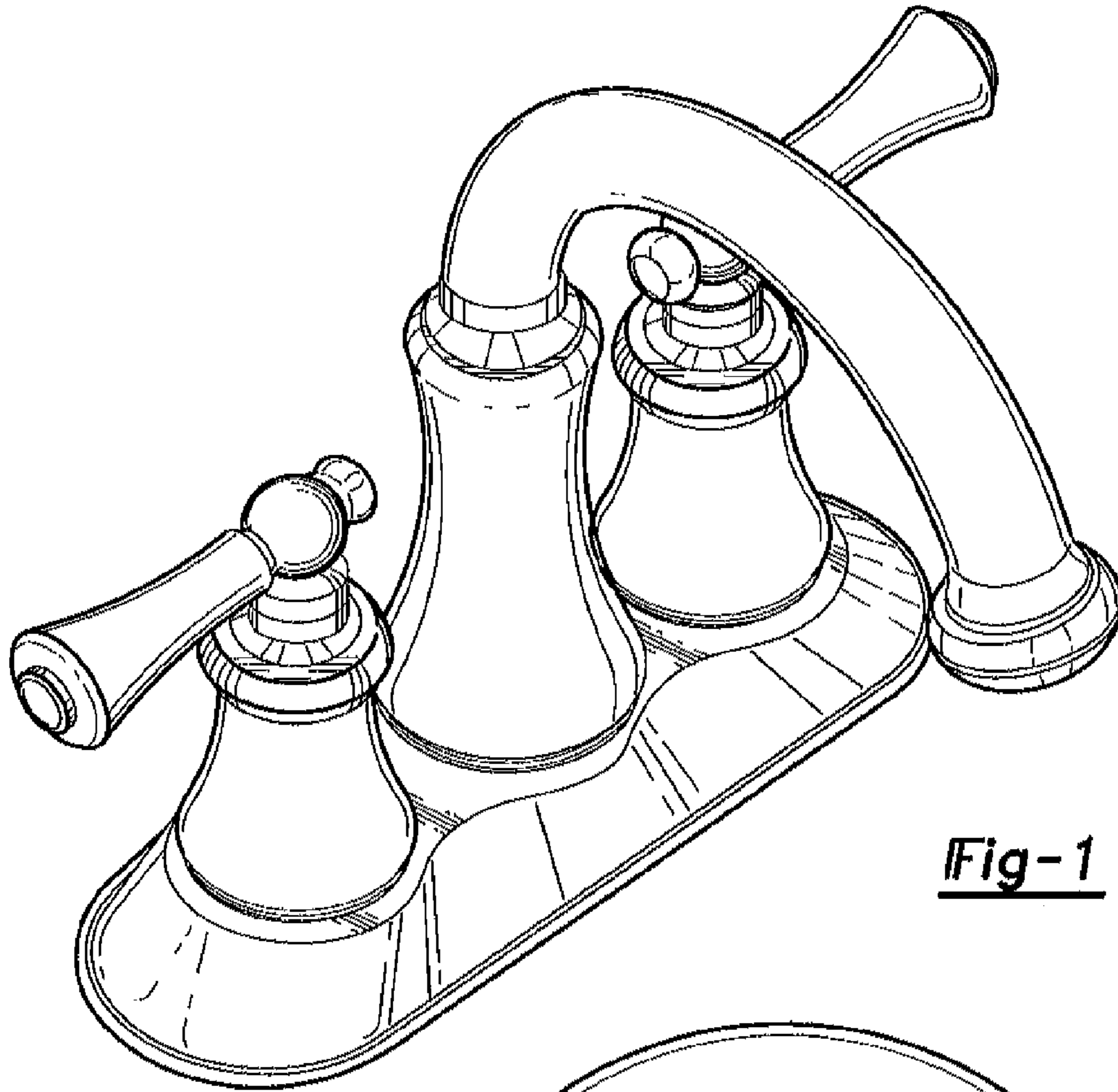


Fig-1

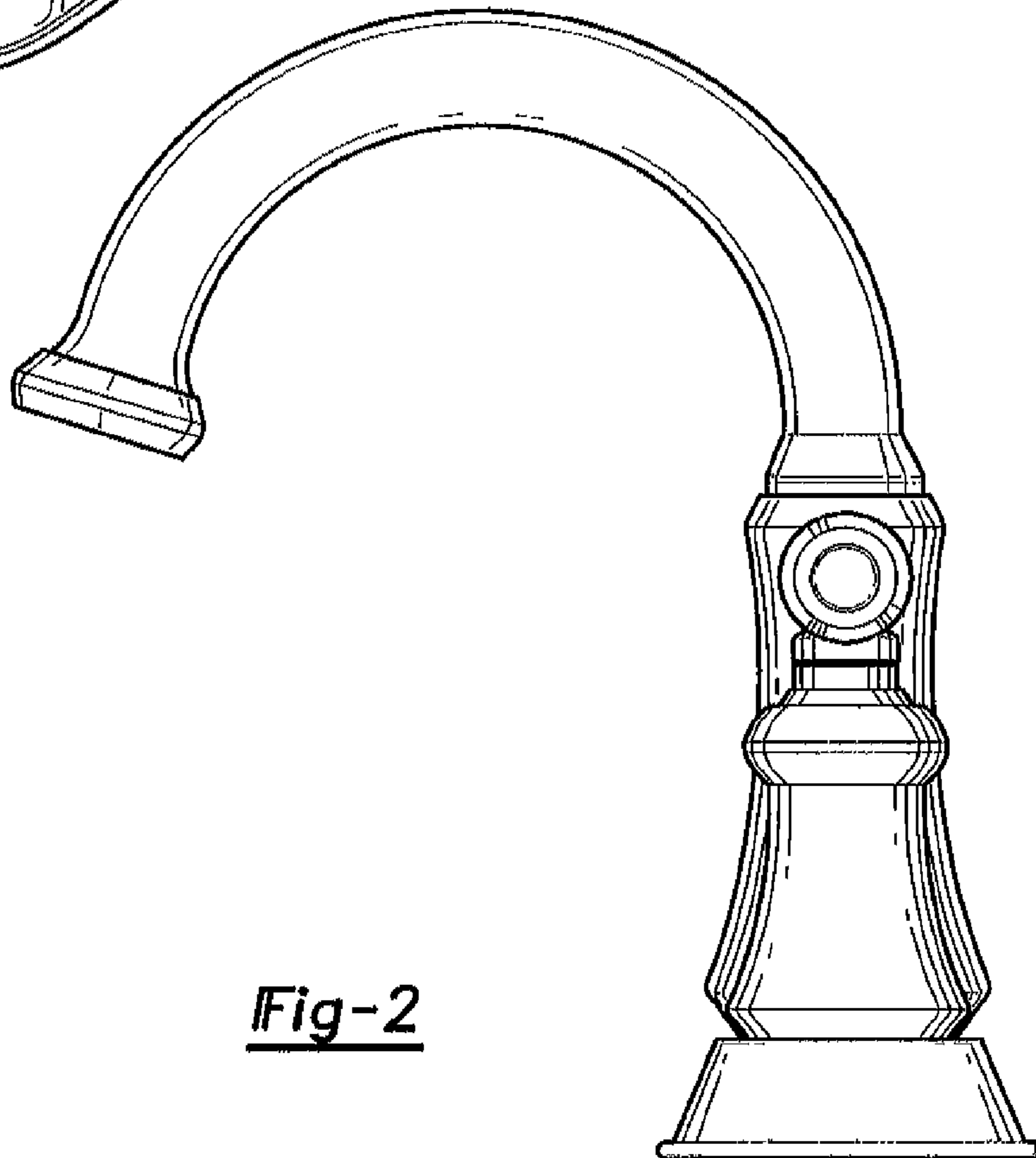


Fig-2

