



US00D657018S

(12) **United States Design Patent**
Chen

(10) **Patent No.:** **US D657,018 S**

(45) **Date of Patent:** **** Apr. 3, 2012**

(54) **GARDEN SPRAYER**

(75) Inventor: **Chin-Yuan Chen**, Lu-Kang Town (TW)

(73) Assignee: **Shin Tai Spurt Water of the Garden Tools Co., Ltd.**, Lu-Kang, Chang-Hua Hsien (TW)

(**) Term: **14 Years**

(21) Appl. No.: **29/397,180**

(22) Filed: **Jul. 12, 2011**

(51) **LOC (9) Cl.** **23-01**

(52) **U.S. Cl.** **D23/226**

(58) **Field of Classification Search** D23/213,
D23/223, 226; 239/525-527, 532
See application file for complete search history.

(56) **References Cited**

U.S. PATENT DOCUMENTS

D472,605 S * 4/2003 Nien D23/223
6,540,163 B1 * 4/2003 Huang 239/587.5

6,581,853 B1 * 6/2003 Huang 239/532
D479,302 S * 9/2003 Chen D23/213
D606,626 S * 12/2009 Zore D23/226

* cited by examiner

Primary Examiner — Robin V Webster

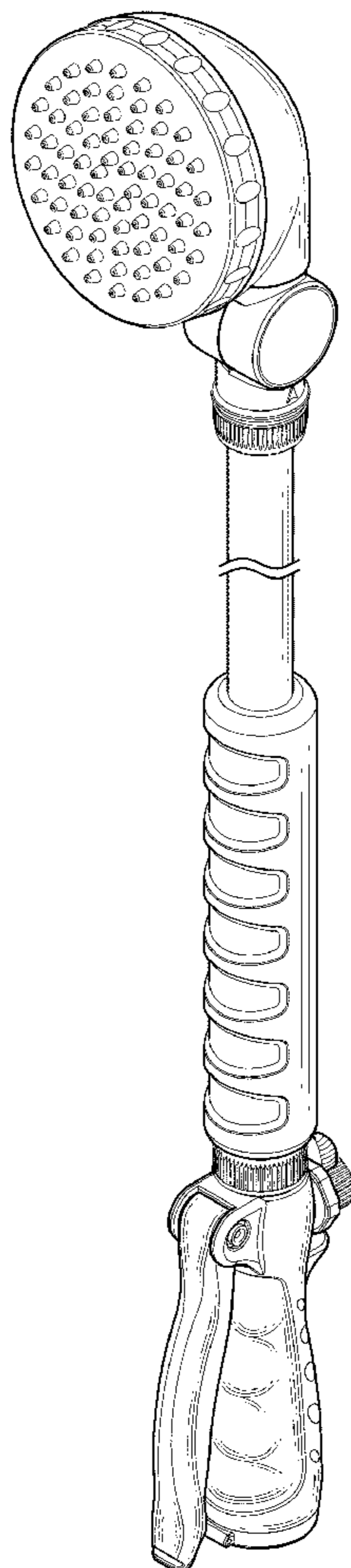
(57) **CLAIM**

The ornamental design for a garden sprayer, as shown and described.

DESCRIPTION

FIG. 1 is a perspective view of a garden sprayer showing my new design;
FIG. 2 is a front view of the embodiment shown in FIG. 1;
FIG. 3 is a rear view of the embodiment shown in FIG. 1;
FIG. 4 is a left side view of the embodiment shown in FIG. 1;
FIG. 5 is a right side view of the embodiment shown in FIG. 1;
FIG. 6 is a top view of the embodiment shown in FIG. 1; and,
FIG. 7 is a bottom view of the embodiment shown in FIG. 1.
The claimed design is shown fragmented to indicate non-specified length.

1 Claim, 6 Drawing Sheets



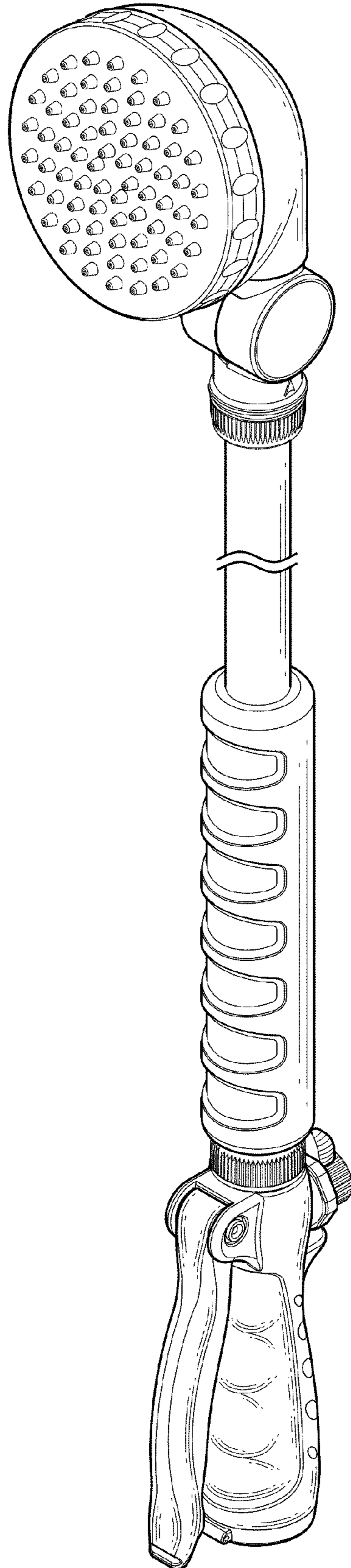


FIG. 1

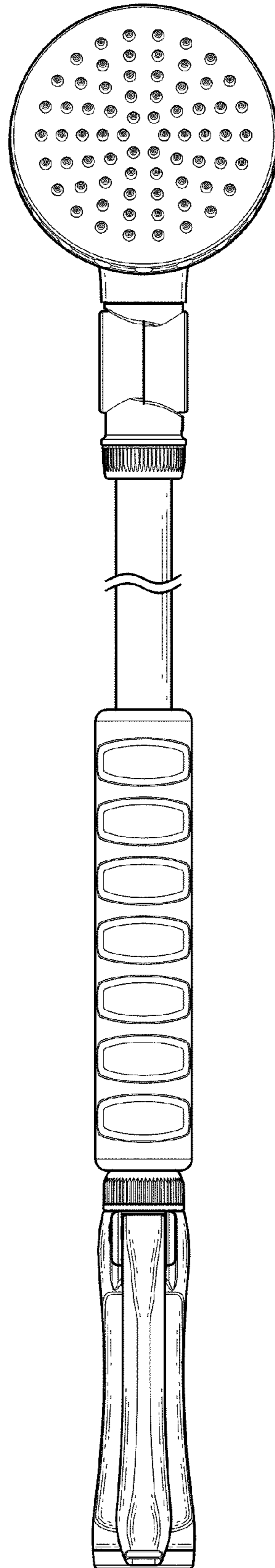


FIG. 2

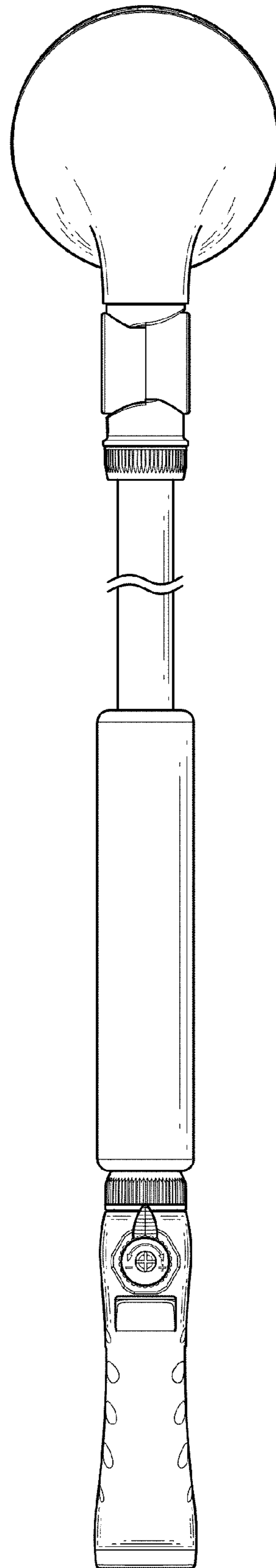


FIG. 3

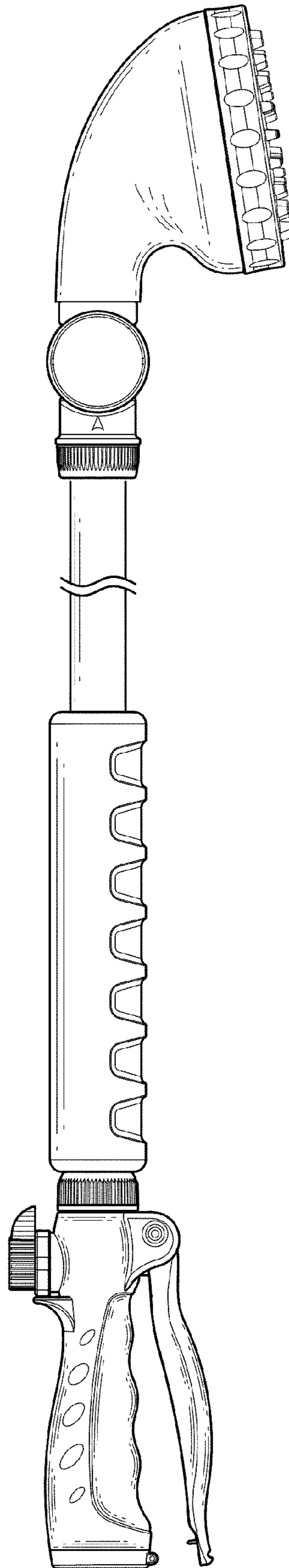


FIG. 4

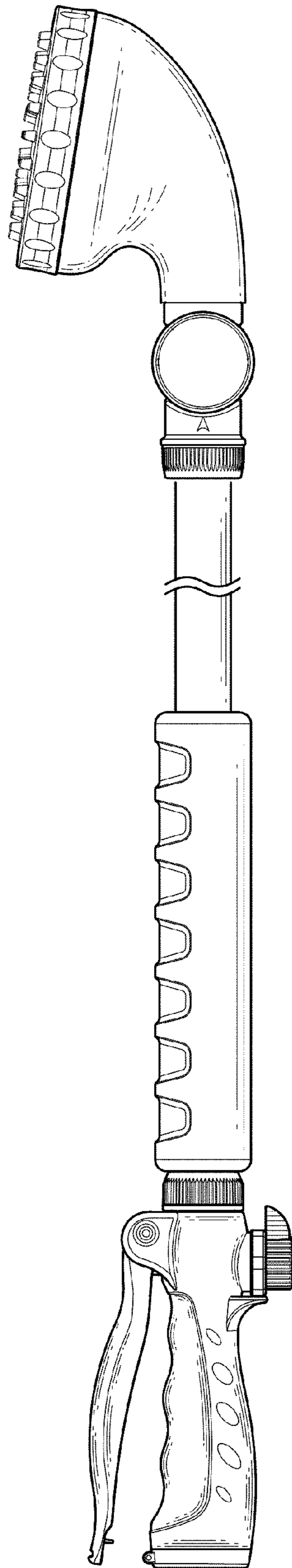


FIG. 5

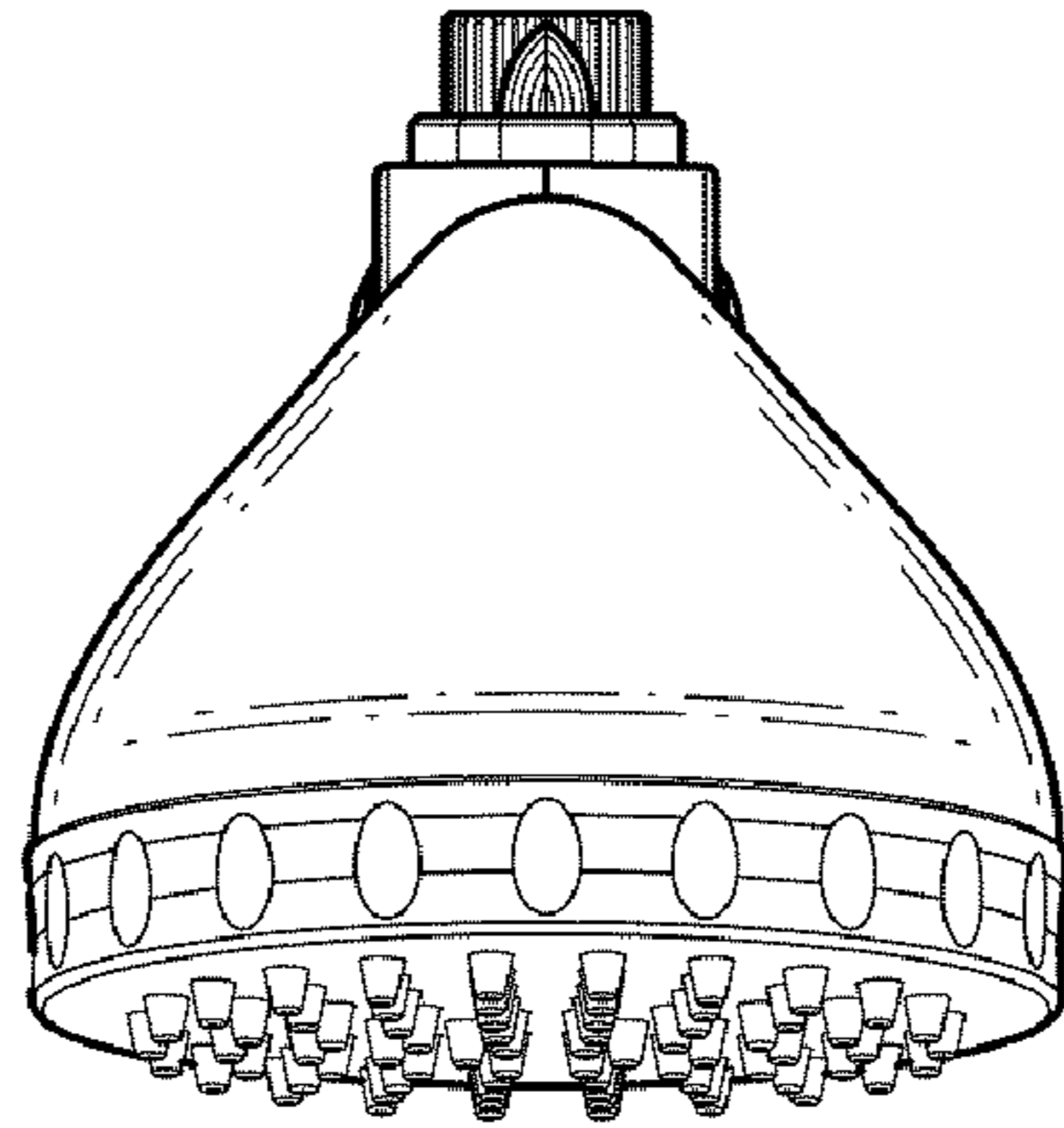


FIG. 6

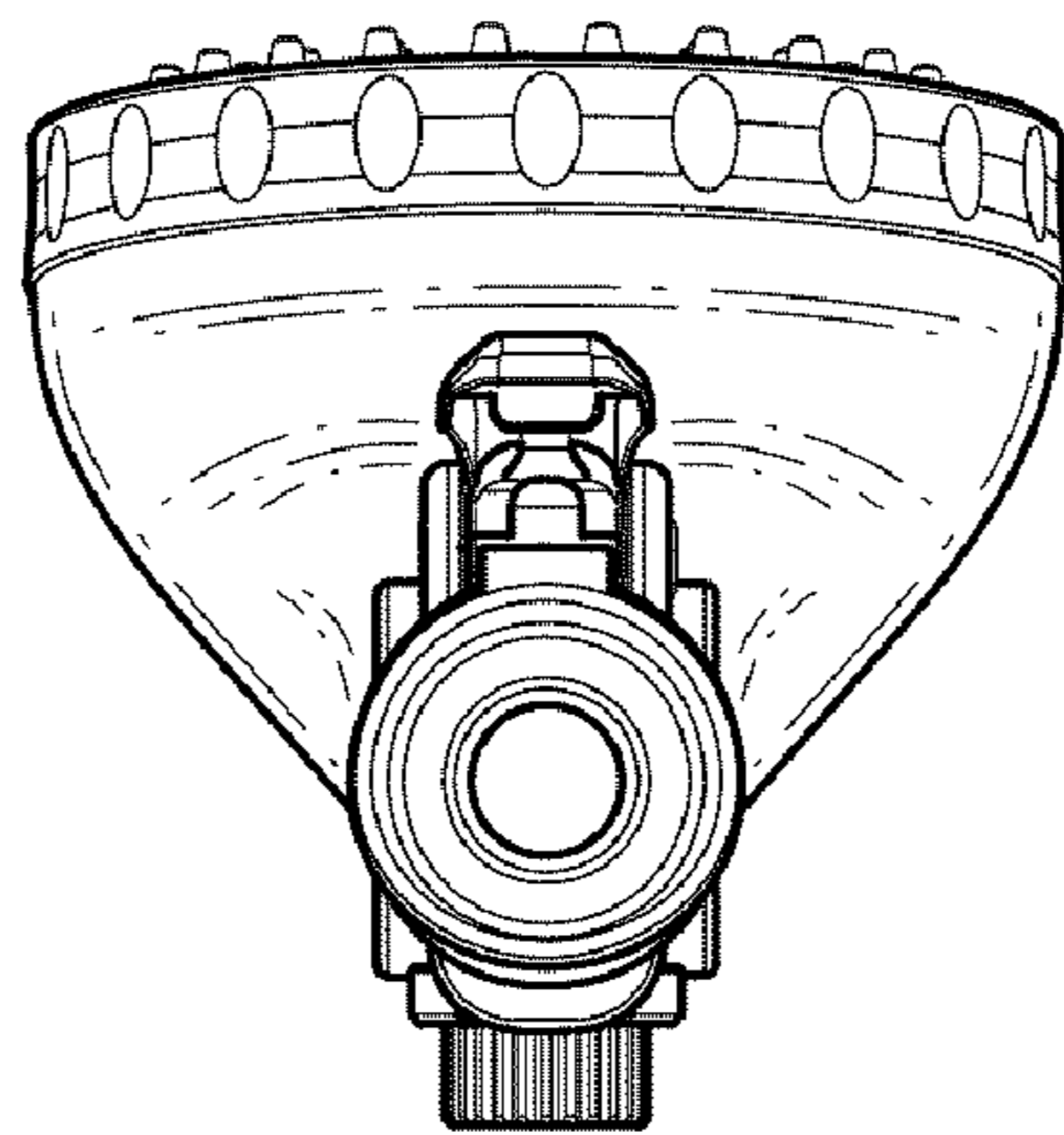


FIG. 7