



US00D657016S

(12) **United States Design Patent**
Crawley

(10) **Patent No.:** **US D657,016 S**

(45) **Date of Patent:** **** Apr. 3, 2012**

(54) **PAINT SPRAYER**

(75) **Inventor:** **Graeme Crawley**, New Castle upon Tyne (GB)

(73) **Assignee:** **Black & Decker Inc.**, Newark, DE (US)

(**) **Term:** **14 Years**

(21) **Appl. No.:** **29/394,170**

(22) **Filed:** **Jun. 14, 2011**

(51) **LOC (9) Cl.** **23-01**

(52) **U.S. Cl.** **D23/225**

(58) **Field of Classification Search** D23/213,
D23/225; 239/302, 308, 310, 332, 333, 337,
239/373, DIG. 14; 222/383.1
See application file for complete search history.

(56) **References Cited**

U.S. PATENT DOCUMENTS

D567,332 S * 4/2008 Nathan et al. D23/225
D570,956 S * 6/2008 Everett et al. D23/225

D571,435 S * 6/2008 Nathan et al. D23/225
D645,541 S * 9/2011 Miller D23/225
D645,542 S * 9/2011 Miller D23/225

* cited by examiner

Primary Examiner — Robin V Webster

(74) *Attorney, Agent, or Firm* — Stephen R. Valancius

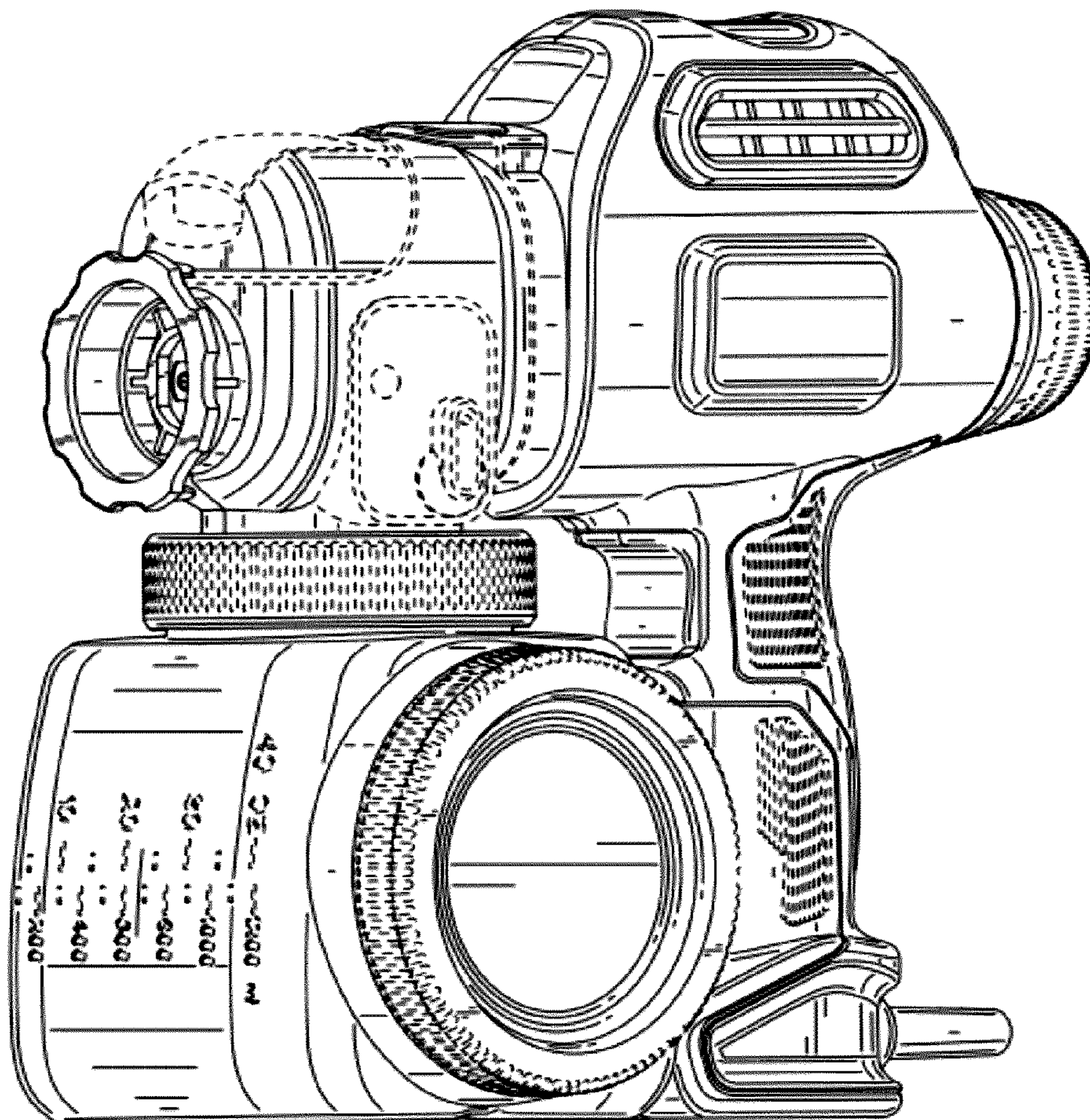
(57) **CLAIM**

The ornamental design for a paint sprayer, as shown and described.

DESCRIPTION

FIG. 1 is a perspective view of the first embodiment of a paint sprayer according to the present invention; FIG. 2 is a front view of the paint sprayer of FIG. 1; FIG. 3 is a back view of the paint sprayer of FIG. 1; FIG. 4 is a right side view of the paint sprayer of FIG. 1; FIG. 5 is a left side view of the paint sprayer of FIG. 1; FIG. 6 is a top view of the paint sprayer of FIG. 1; and, FIG. 7 is a bottom view of the paint sprayer of FIG. 1. The broken lines in the figures illustrate features that form no part of the claimed design.

1 Claim, 7 Drawing Sheets



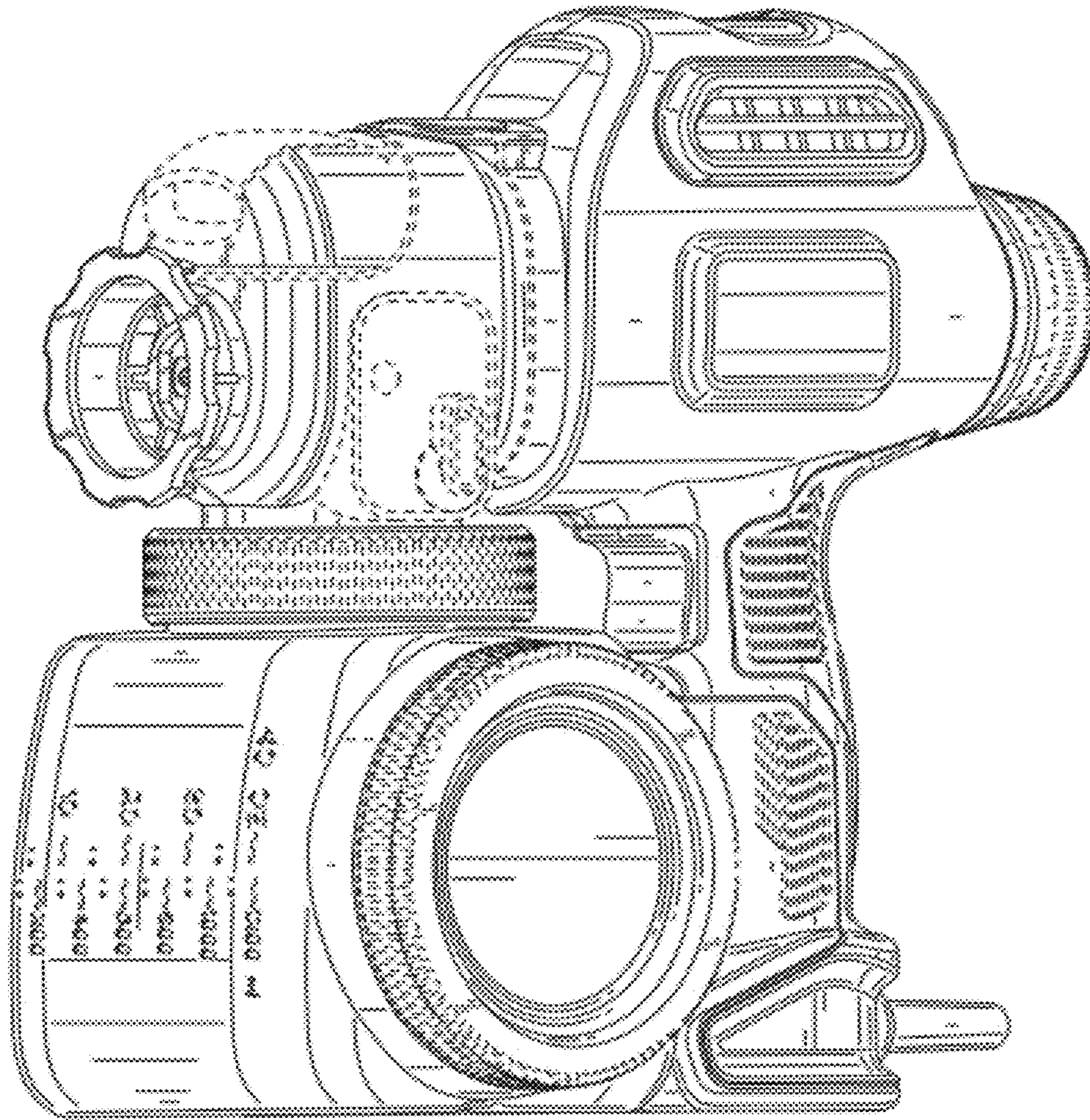


FIG. 1

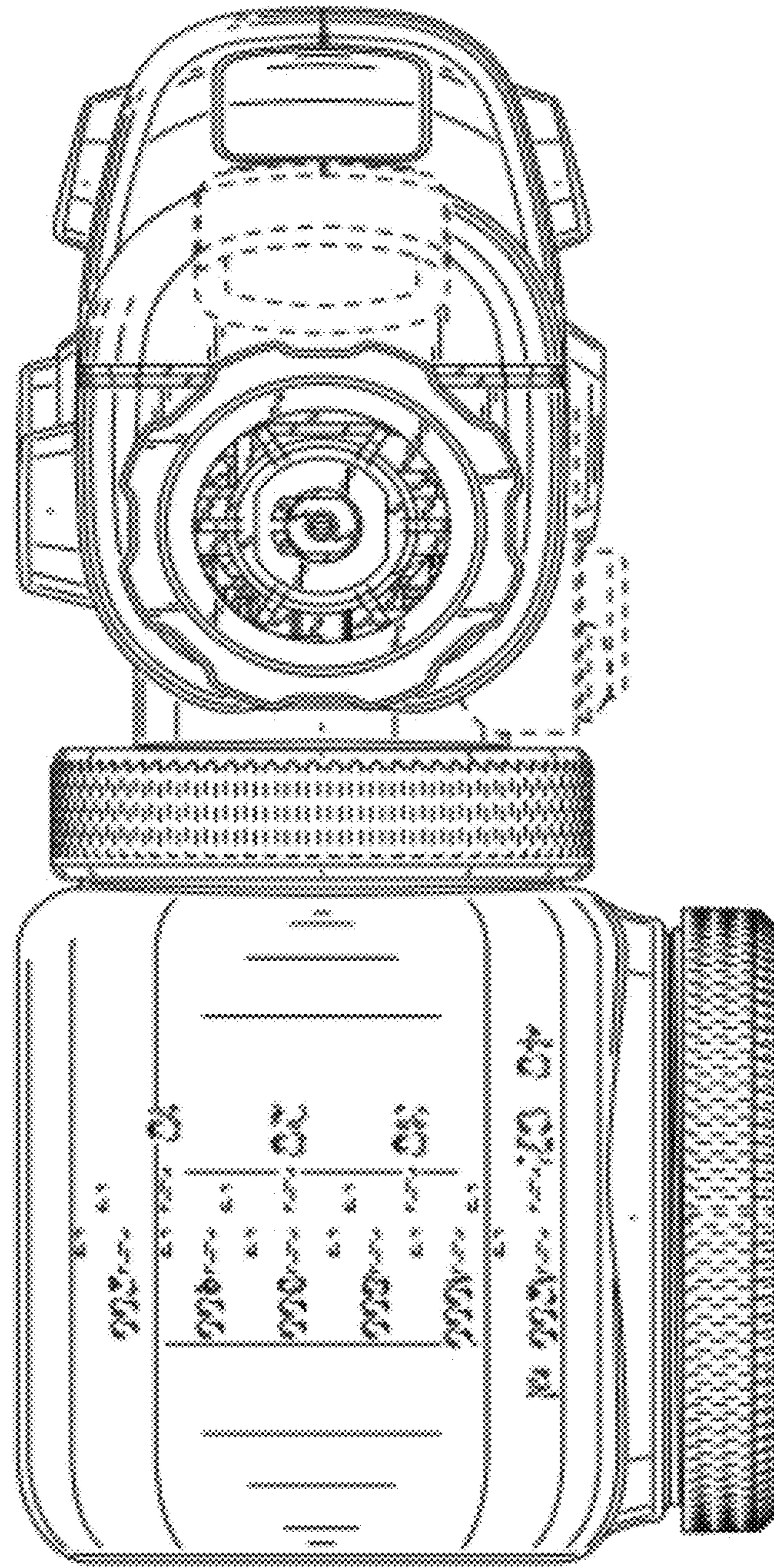


FIG. 2

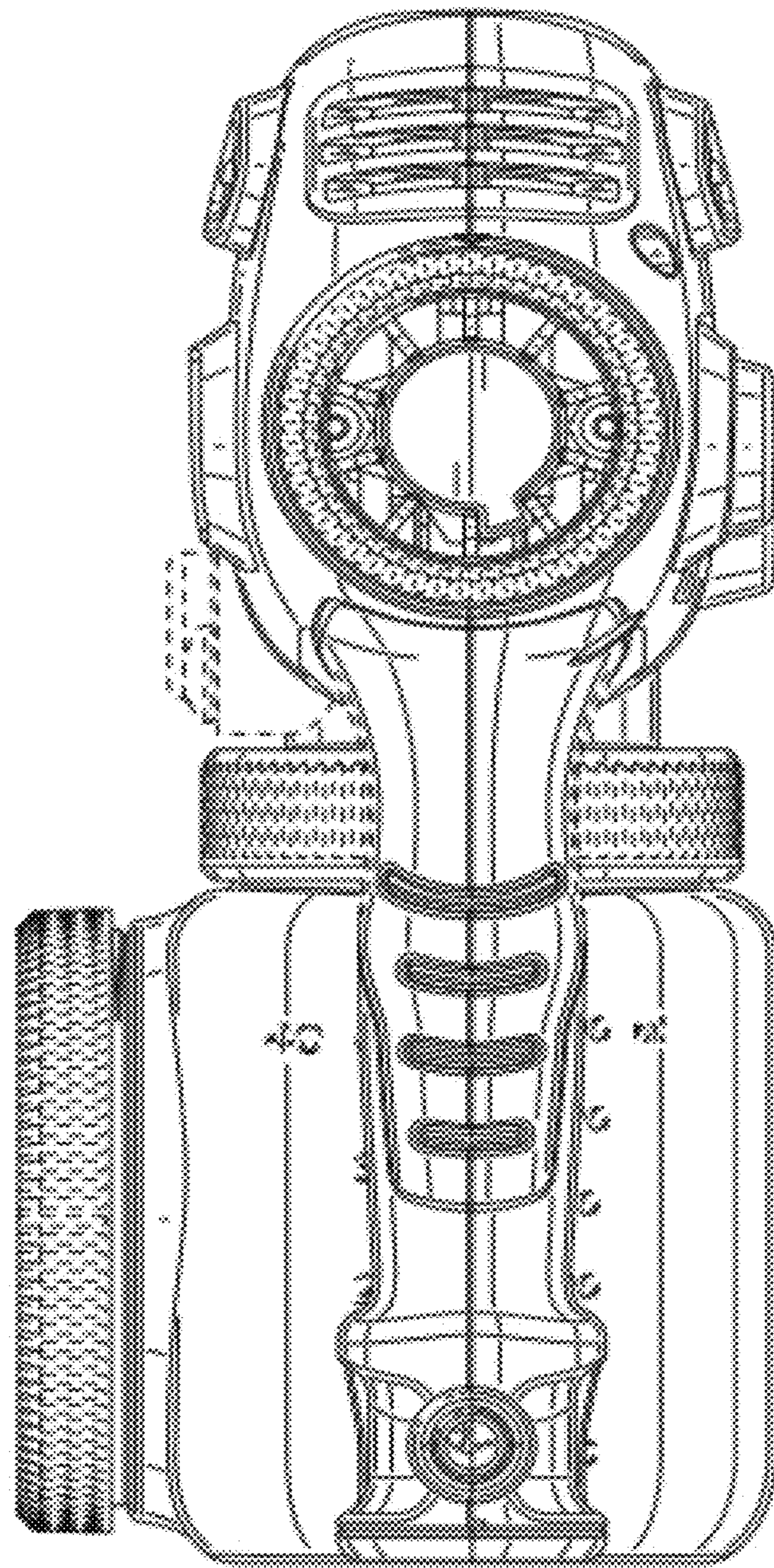


FIG. 3

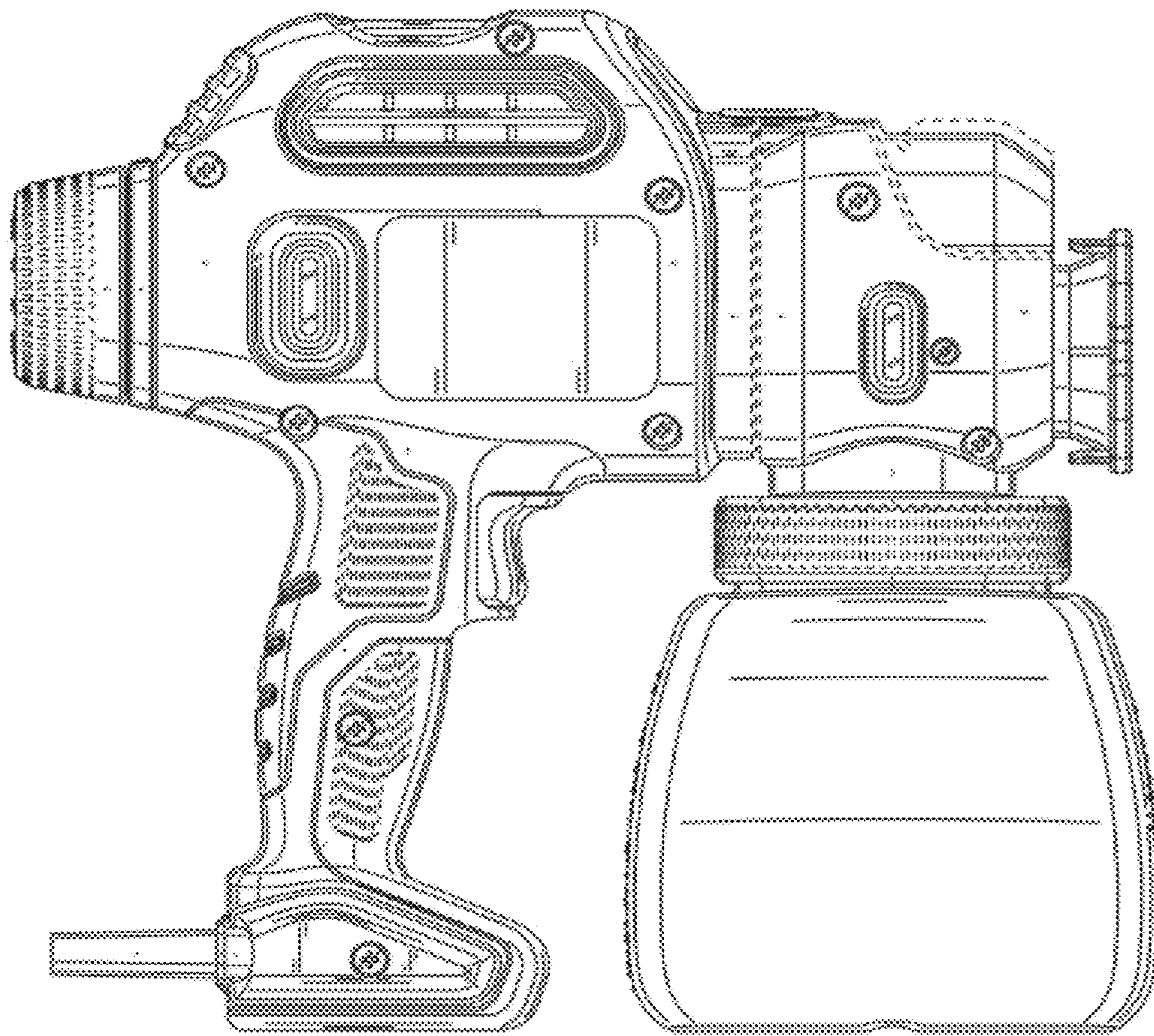


FIG. 4

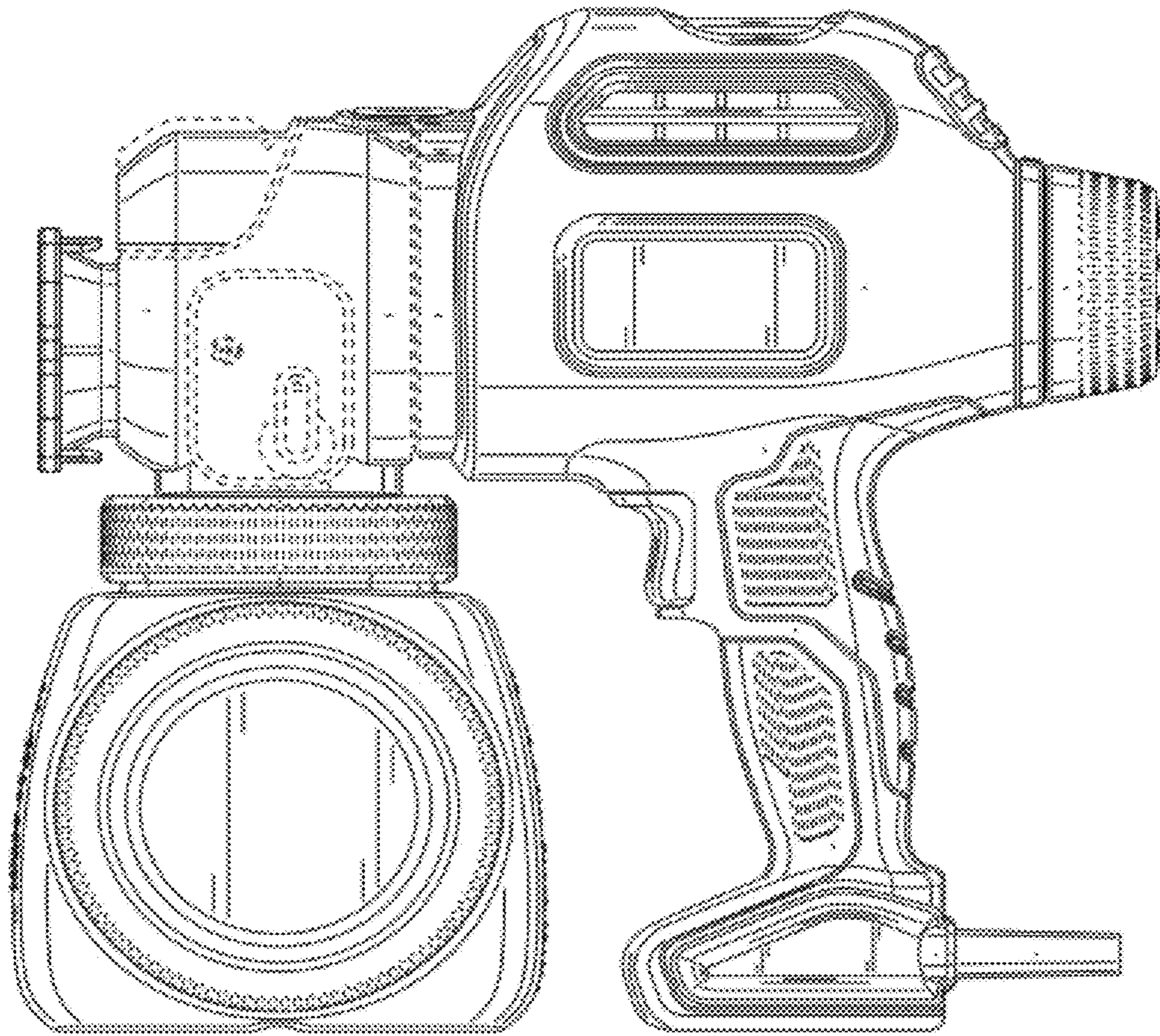


FIG. 5

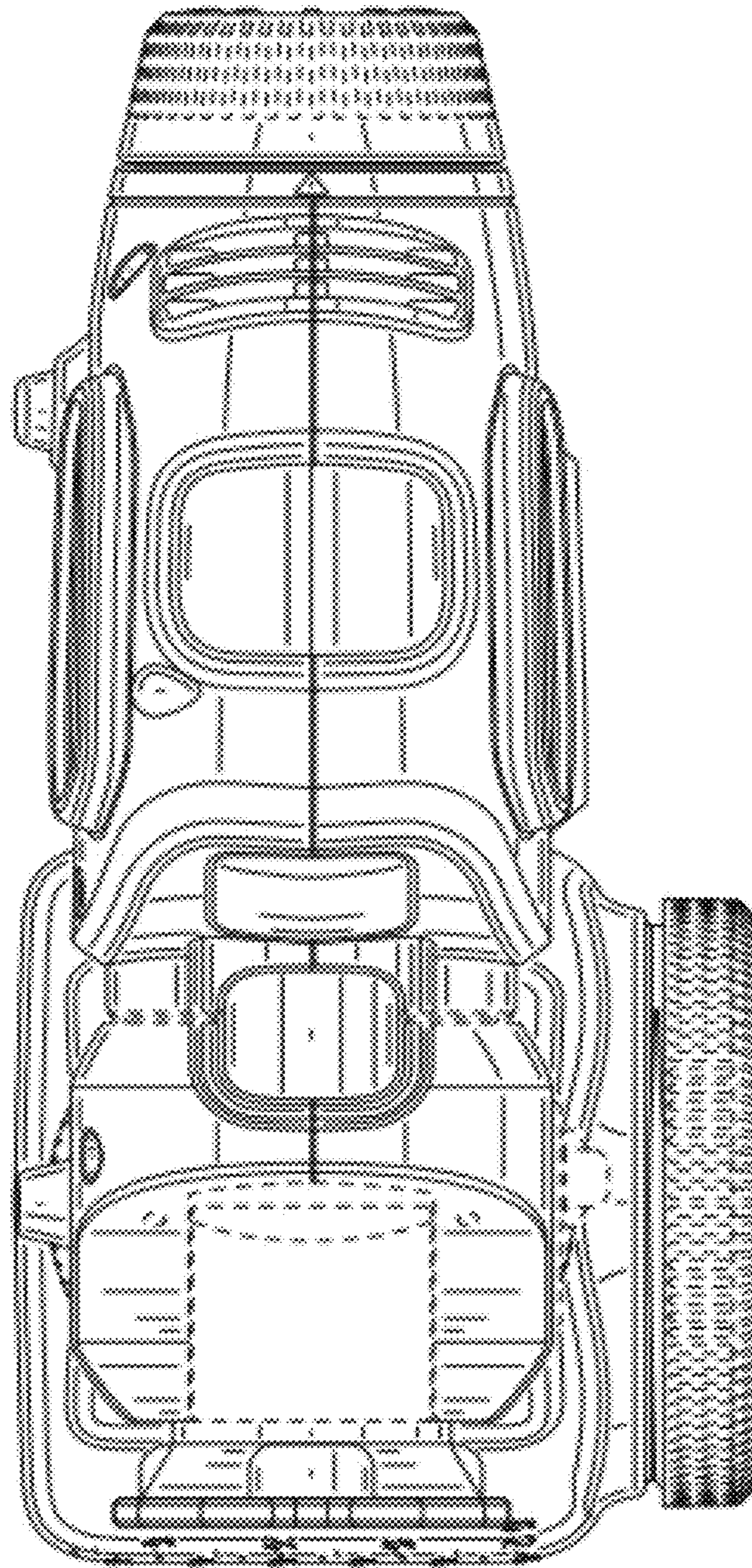


FIG. 6

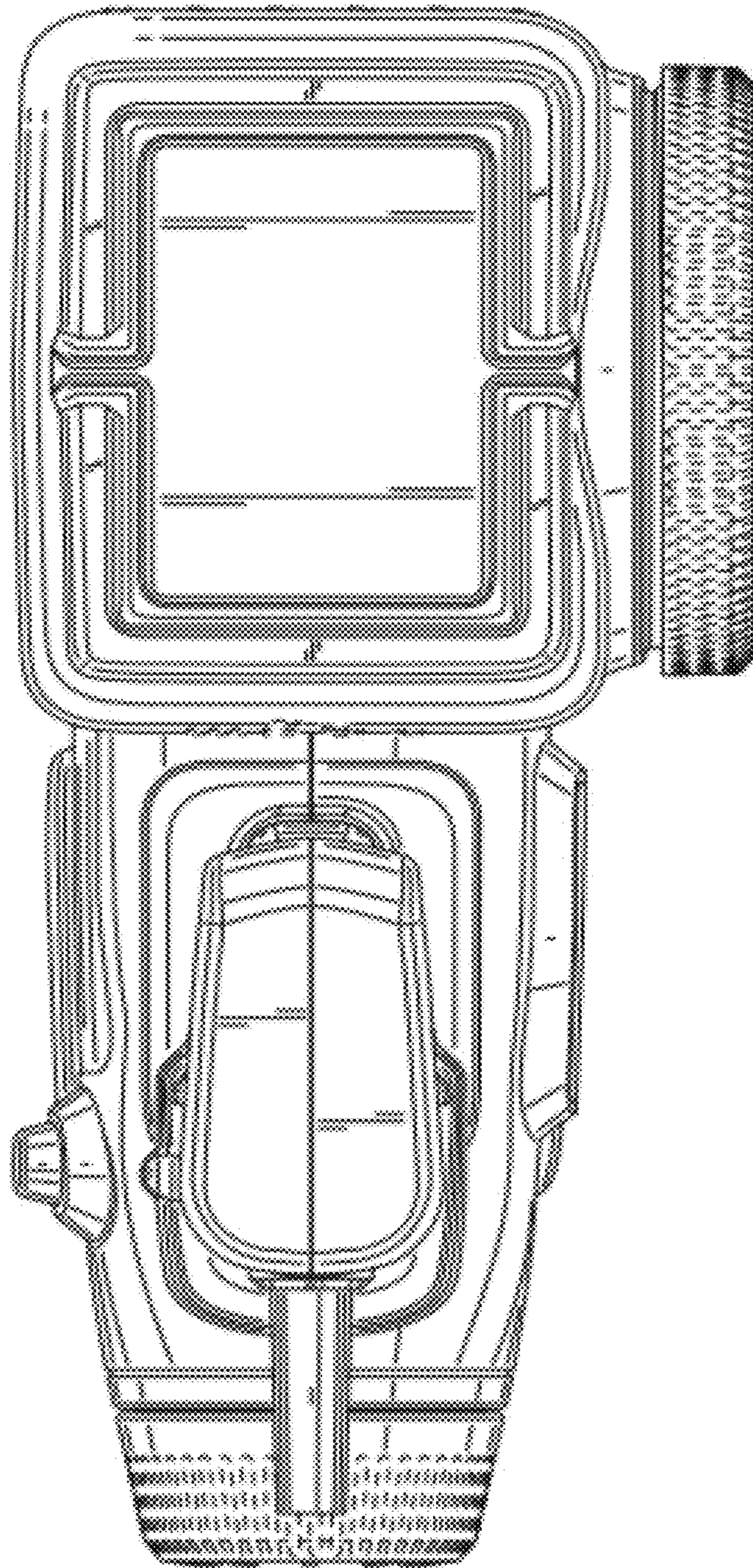


FIG. 7