



US00D657015S

(12) **United States Design Patent**
Sanwald

(10) **Patent No.:** **US D657,015 S**
(45) **Date of Patent:** **** Apr. 3, 2012**

(54) **POWDER SPRAY GUN**

(75) Inventor: **Marco Sanwald**, Abtwil (CH)

(73) Assignee: **Illinois Tool Works Inc.**, Glenview, IL (US)

(**) Term: **14 Years**

(21) Appl. No.: **29/371,651**

(22) Filed: **Jun. 24, 2011**

(30) **Foreign Application Priority Data**

Dec. 30, 2010 (EM) 001252910

(51) **LOC (9) Cl.** **23-01**

(52) **U.S. Cl.** **D23/223**

(58) **Field of Classification Search** D23/213,
D23/223, 226; 239/525-527, 690, 690.1,
239/691; 361/226-228

See application file for complete search history.

(56) **References Cited**

U.S. PATENT DOCUMENTS

4,182,490	A *	1/1980	Kennon	239/3
D318,712	S *	7/1991	Buschor	D23/226
D325,241	S *	4/1992	Buschor	D23/226
D334,615	S *	4/1993	Berfield et al.	D23/226
5,503,880	A *	4/1996	Matschke	427/475
5,678,770	A *	10/1997	Shah	239/690
5,779,162	A *	7/1998	Noakes et al.	239/690.1
D397,421	S *	8/1998	Adams	D23/226

D441,833	S *	5/2001	Haas	D23/226
D573,227	S *	7/2008	Mirazita et al.	D23/226
7,617,998	B2 *	11/2009	Mauchle et al.	239/707

* cited by examiner

Primary Examiner — Robin V Webster

(74) *Attorney, Agent, or Firm* — Lowe Hauptman Ham & Berner LLP

(57) **CLAIM**

The ornamental design for a powder spray gun, as shown and described.

DESCRIPTION

The file of this patent contains at least one drawing/photograph executed in color. Copies of this patent with color drawing(s)/photograph(s) will be provided by the Office upon request and payment of the necessary fee.

FIG. 1 is a left side view of a powder spray gun bearing the design;

FIG. 2 is a left-front-bottom perspective view of the powder spray gun of FIG. 1;

FIG. 3 is a left-rear perspective view of the powder spray gun of FIG. 1;

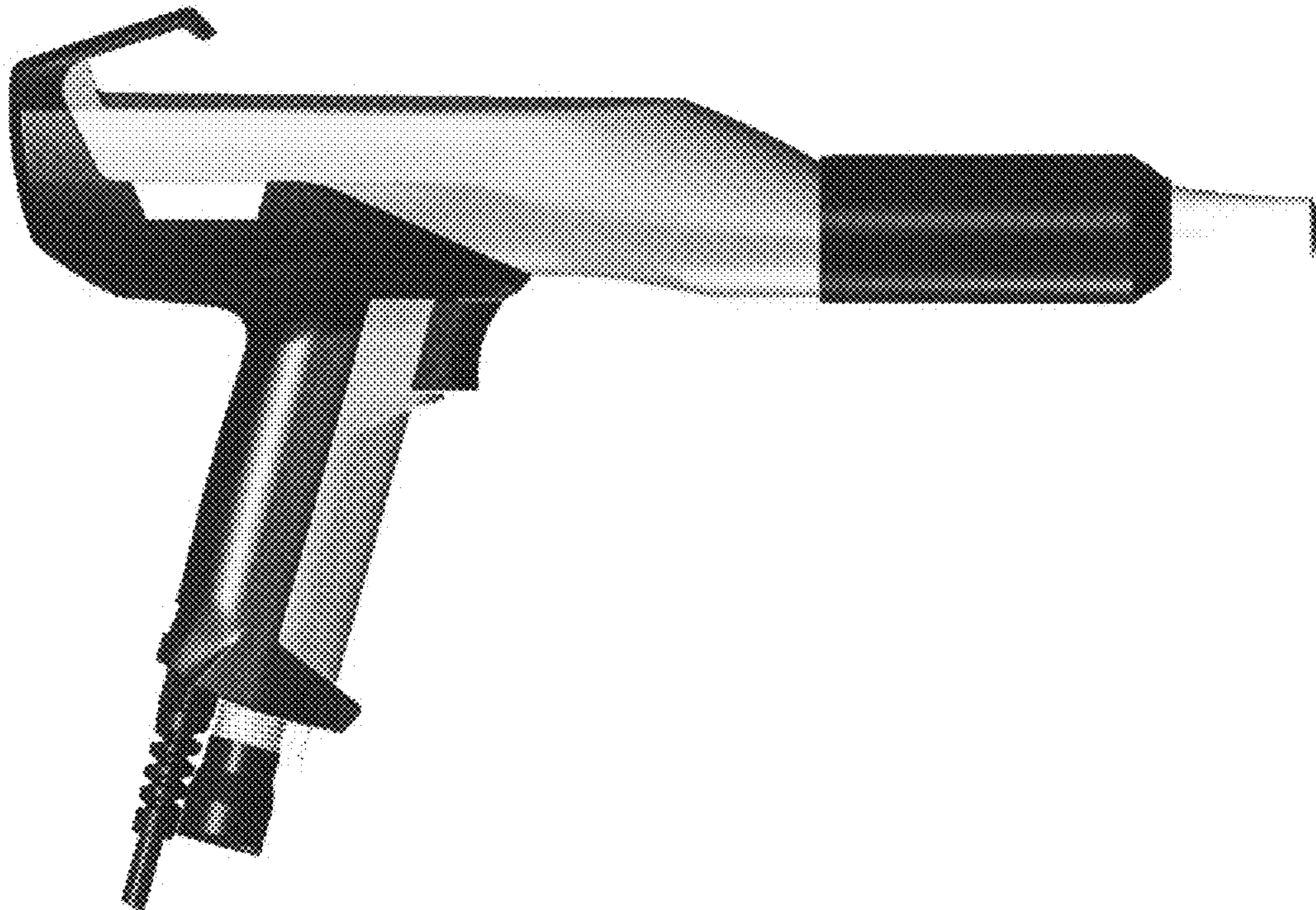
FIG. 4 is a bottom view of the powder spray gun of FIG. 1;

FIG. 5 is a top view of the powder spray gun of FIG. 1;

FIG. 6 is a rear view of the powder spray gun of FIG. 1; and, FIG. 7 is a front view of the powder spray gun of FIG. 1.

The right side view is a mirror-image of the left side view except for the raised feature shown in FIGS. 4-7.

1 Claim, 7 Drawing Sheets
(7 of 7 Drawing Sheet(s) Filed in Color)



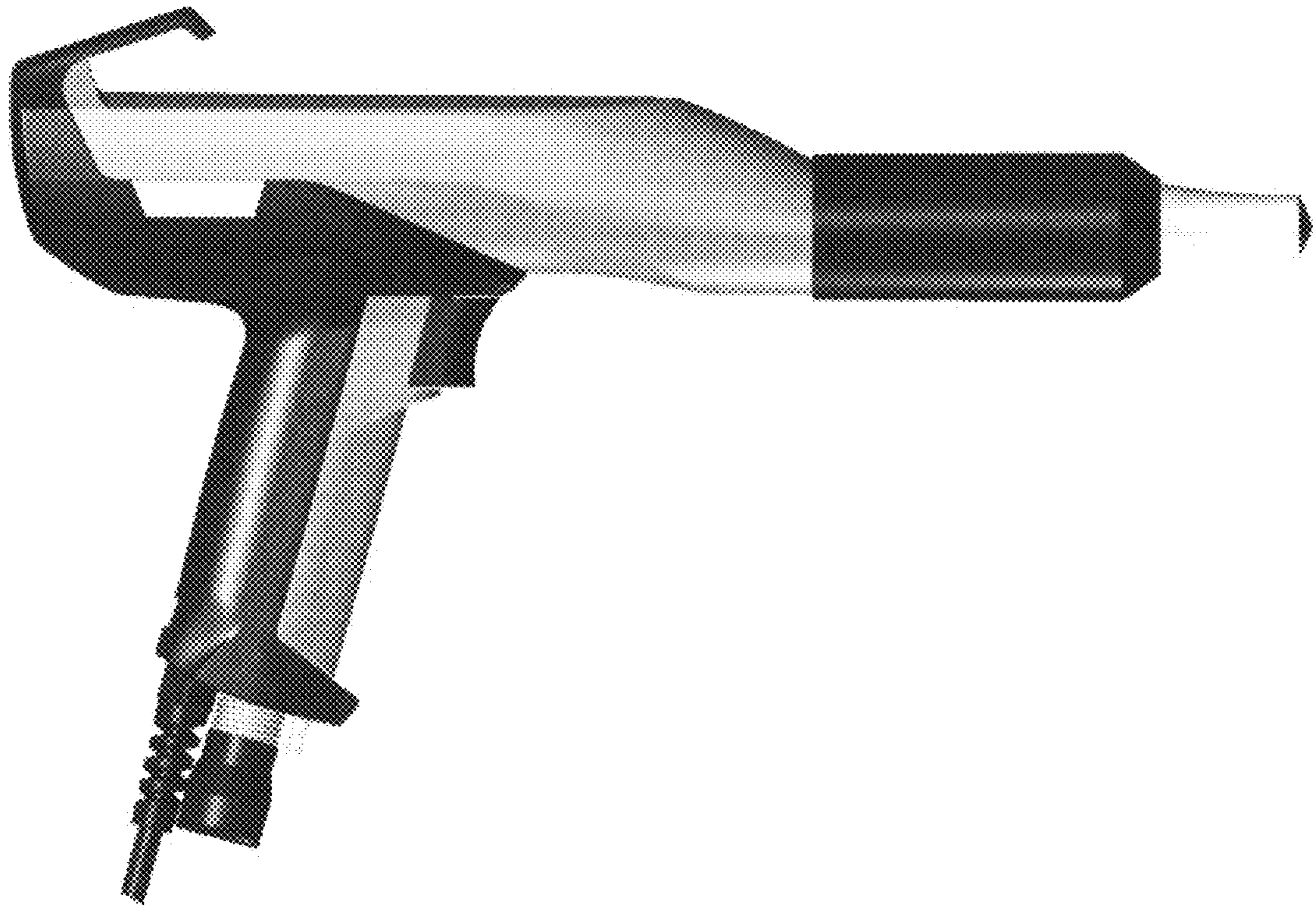


Fig. 1

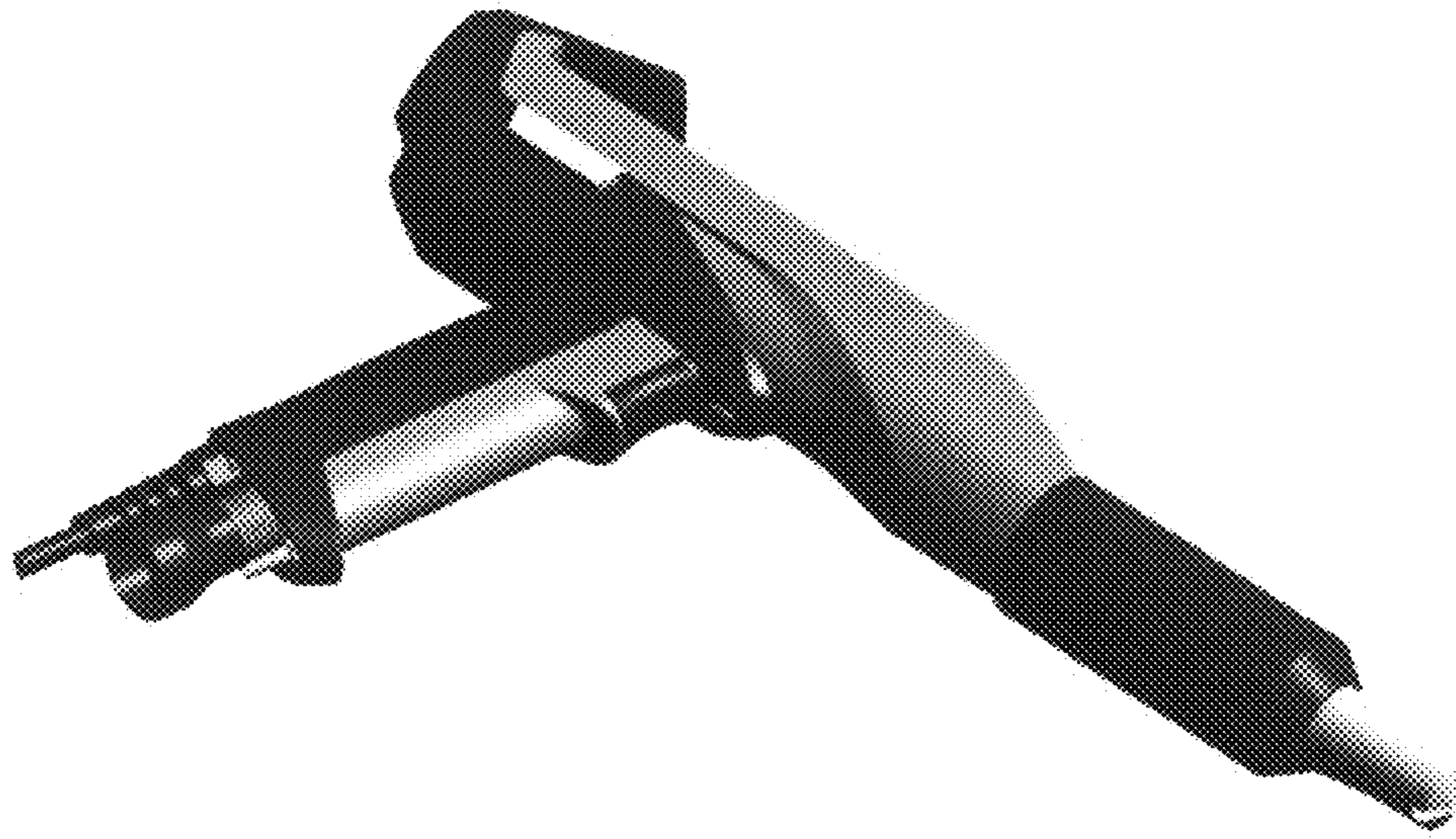


Fig. 2



Fig. 3

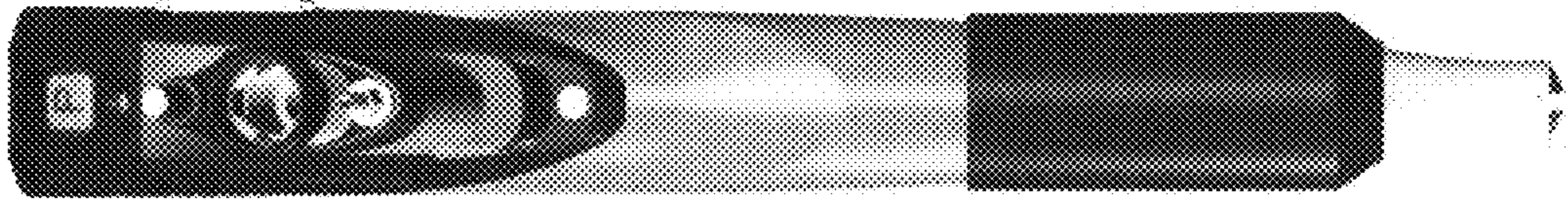


Fig. 4



Fig. 5

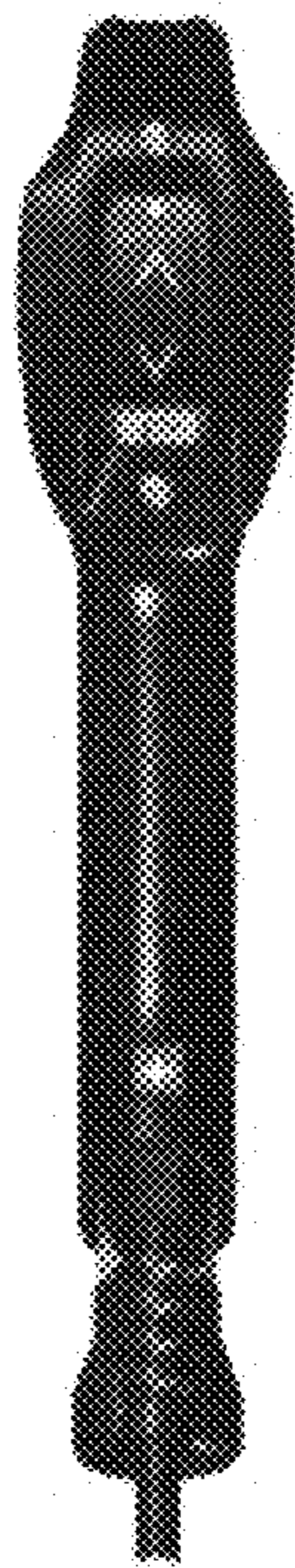


Fig. 6

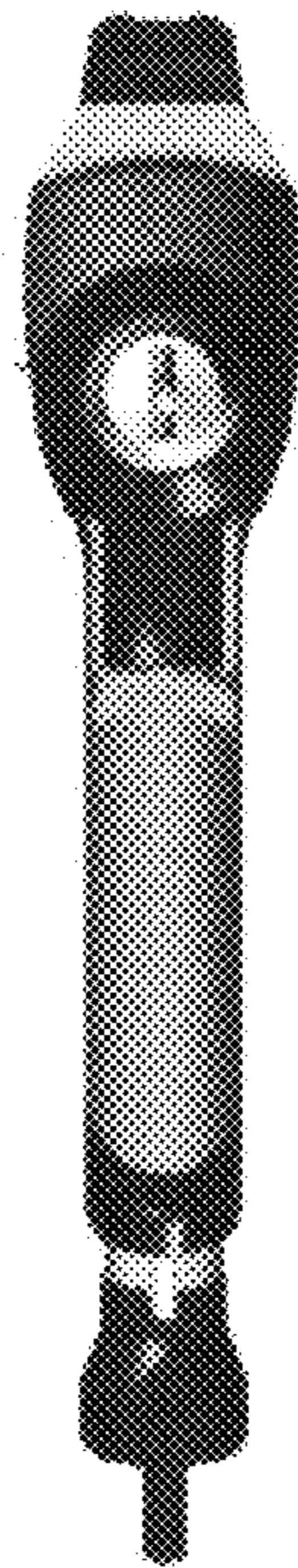


Fig. 7