



US00D657014S

(12) **United States Design Patent**  
**Seiz**

(10) **Patent No.:** **US D657,014 S**

(45) **Date of Patent:** **\*\* Apr. 3, 2012**

(54) **ROTARY ATOMIZER COMPONENT**

(75) Inventor: **Bernhard Seiz**, Lauffen (DE)

(73) Assignee: **Duerr Systems GmbH**,  
Bietigheim-Bissingen (DE)

(\*\*) Term: **14 Years**

(21) Appl. No.: **29/361,659**

(22) Filed: **May 13, 2010**

(30) **Foreign Application Priority Data**

Nov. 13, 2009 (EP) ..... 001181705-0010

(51) **LOC (9) Cl.** ..... **23-01**

(52) **U.S. Cl.** ..... **D23/213**

(58) **Field of Classification Search** ..... D23/213;  
239/223, 225.1, 290, 291, 292; 427/475;  
118/300

See application file for complete search history.

(56) **References Cited**

**U.S. PATENT DOCUMENTS**

5,271,562	A *	12/1993	Myers et al.	239/290
6,315,219	B1 *	11/2001	Palestrant	239/550
6,669,120	B2 *	12/2003	Vernia	239/600
7,578,454	B2 *	8/2009	Joo	239/488
7,841,419	B2 *	11/2010	Manthey et al.	169/44

\* cited by examiner

*Primary Examiner* — Robin V Webster

(74) *Attorney, Agent, or Firm* — Rader Fishman & Grauer

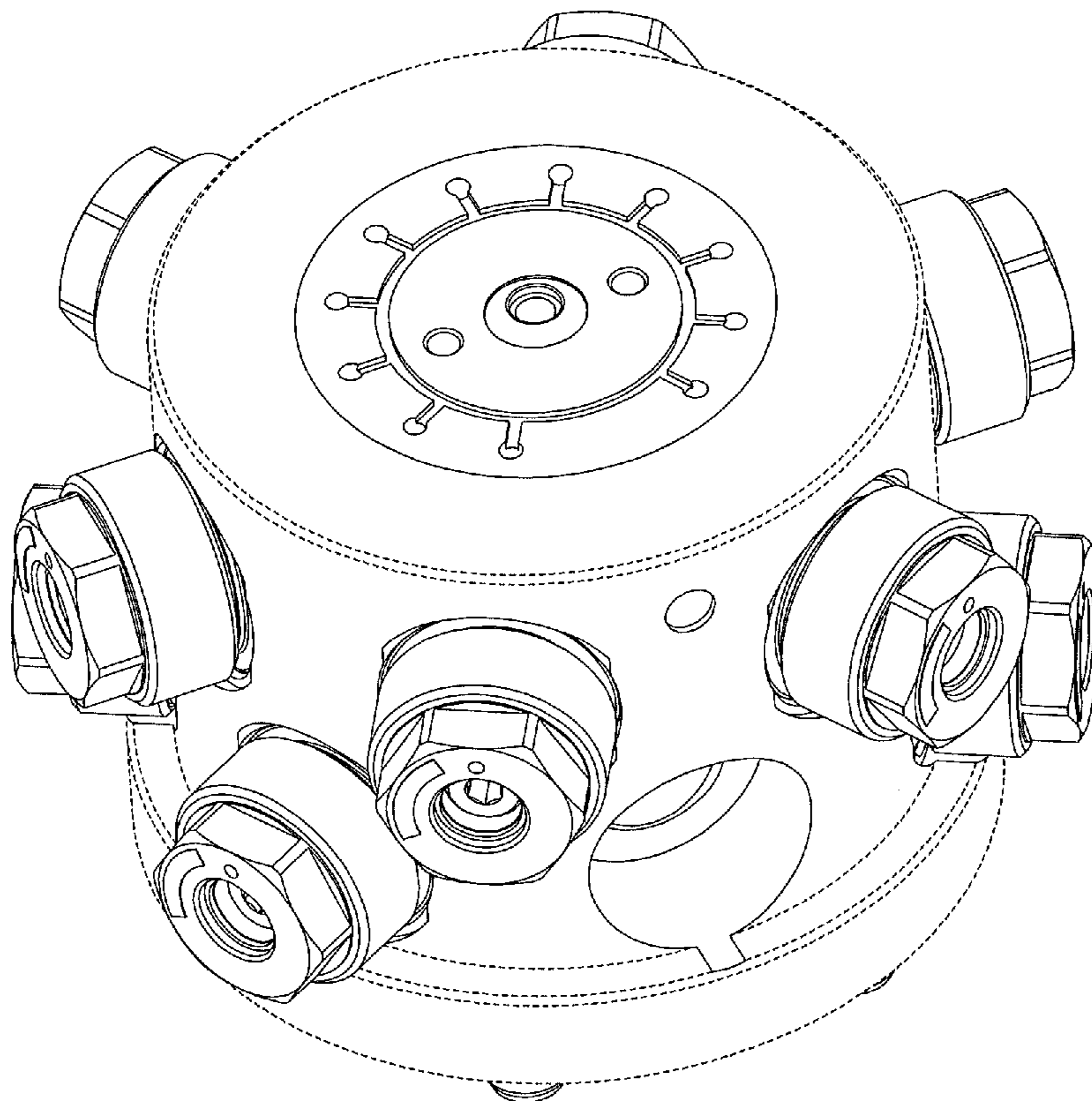
(57) **CLAIM**

The ornamental design for a rotary atomizer component, as shown and described.

**DESCRIPTION**

FIG. 1 is an upper perspective view of a rotary atomizer component showing a first representation of our new design; FIG. 2 is a lower perspective view of a rotary atomizer component showing the first representation of our new design; FIG. 3 is a front view of a rotary atomizer component showing the first representation of our new design; FIG. 4 is a rear view of a rotary atomizer component showing the first representation of our new design; FIG. 5 is a lateral view of a rotary atomizer component showing the first representation of our new design; FIG. 6 is another lateral view of a rotary atomizer component showing the first representation of our new design; FIG. 7 is a top view of a rotary atomizer component showing the first representation of our new design; and, FIG. 8 is a bottom view of a rotary atomizer component showing the first representation of our new design. The broken lines in the figures are directed to environment and are for illustrative purposes only. The broken lines form no part of the claimed design.

**1 Claim, 6 Drawing Sheets**



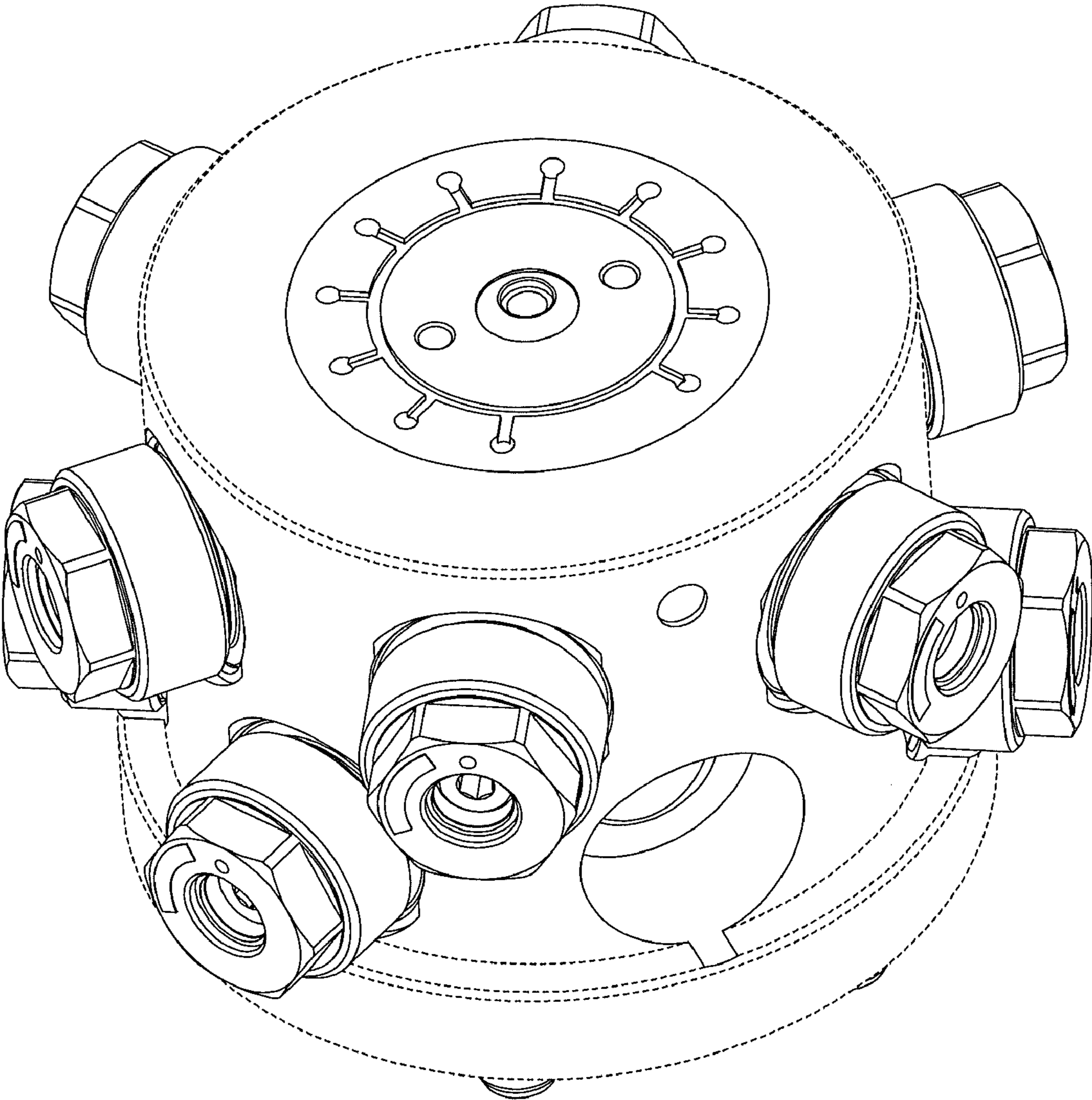


FIG. 1



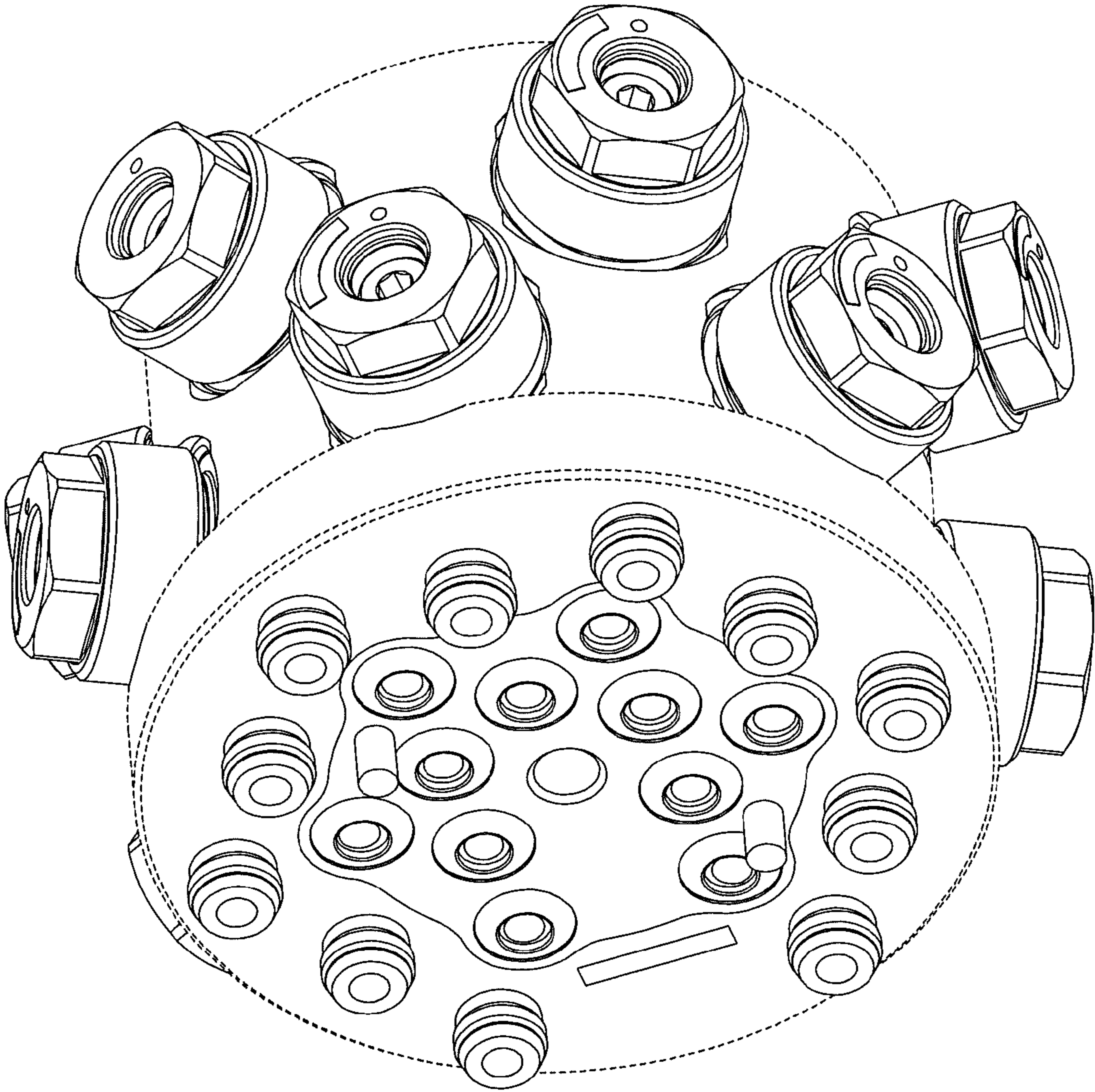


FIG. 2

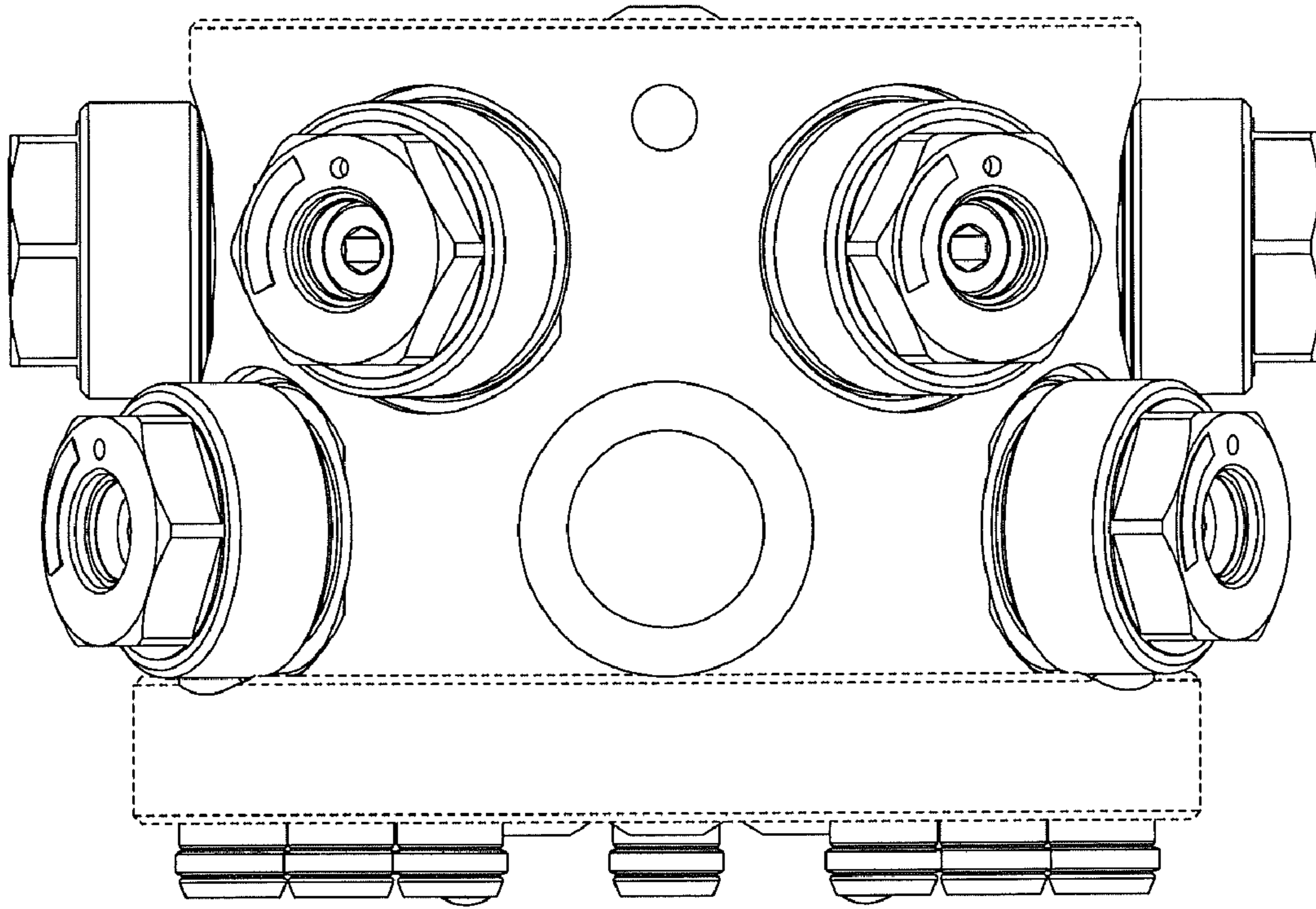


FIG. 3

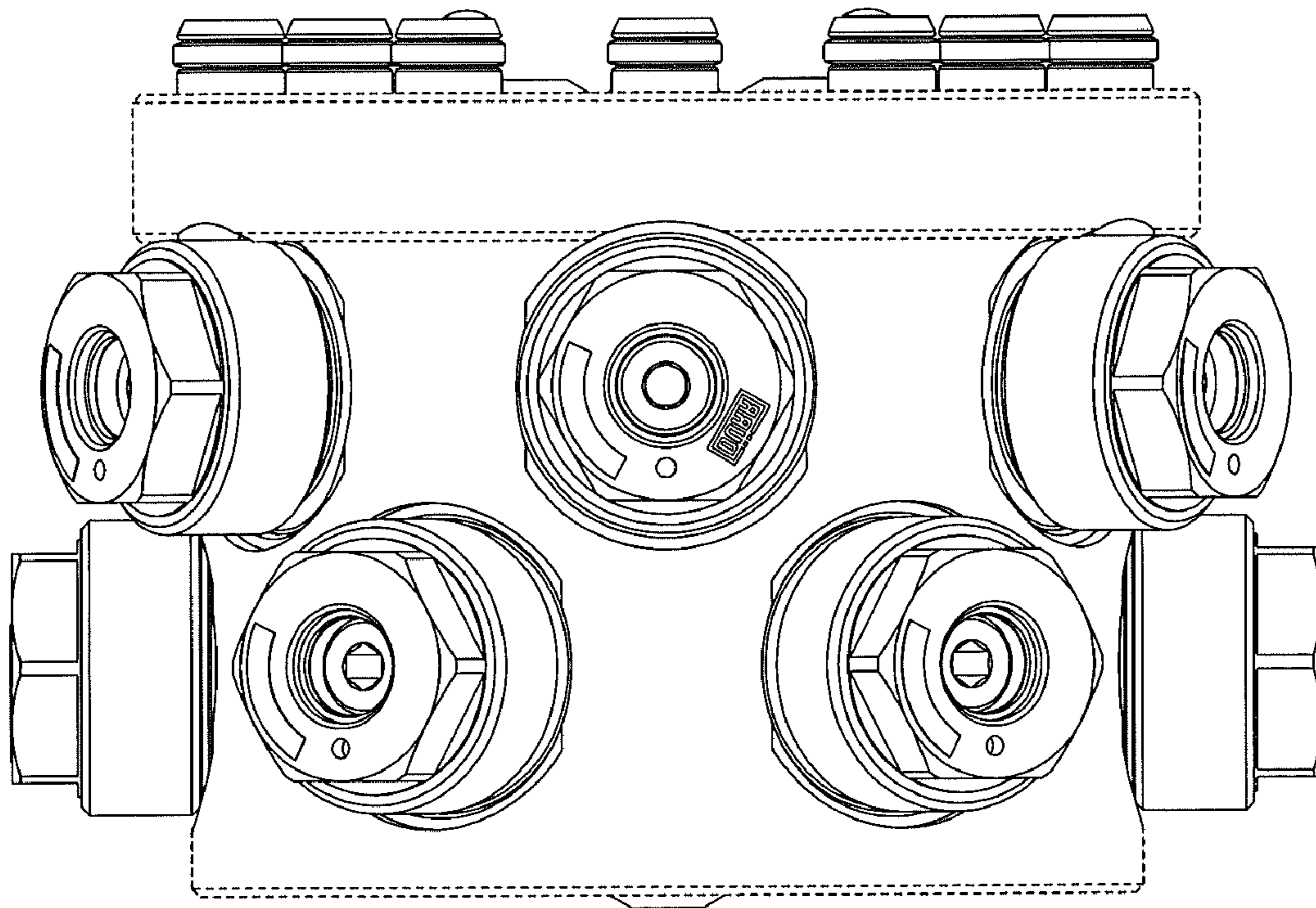


FIG. 4



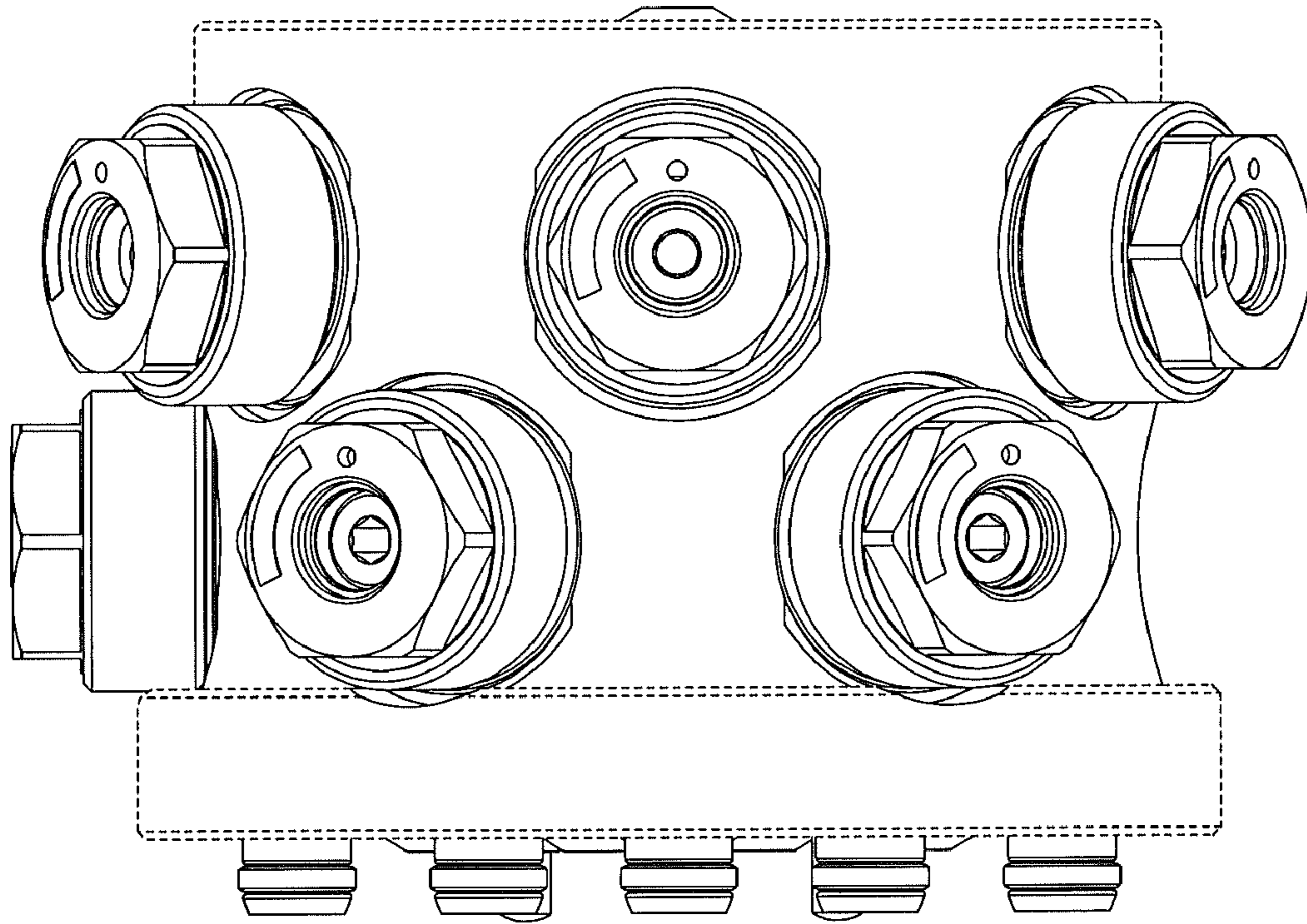


FIG. 5

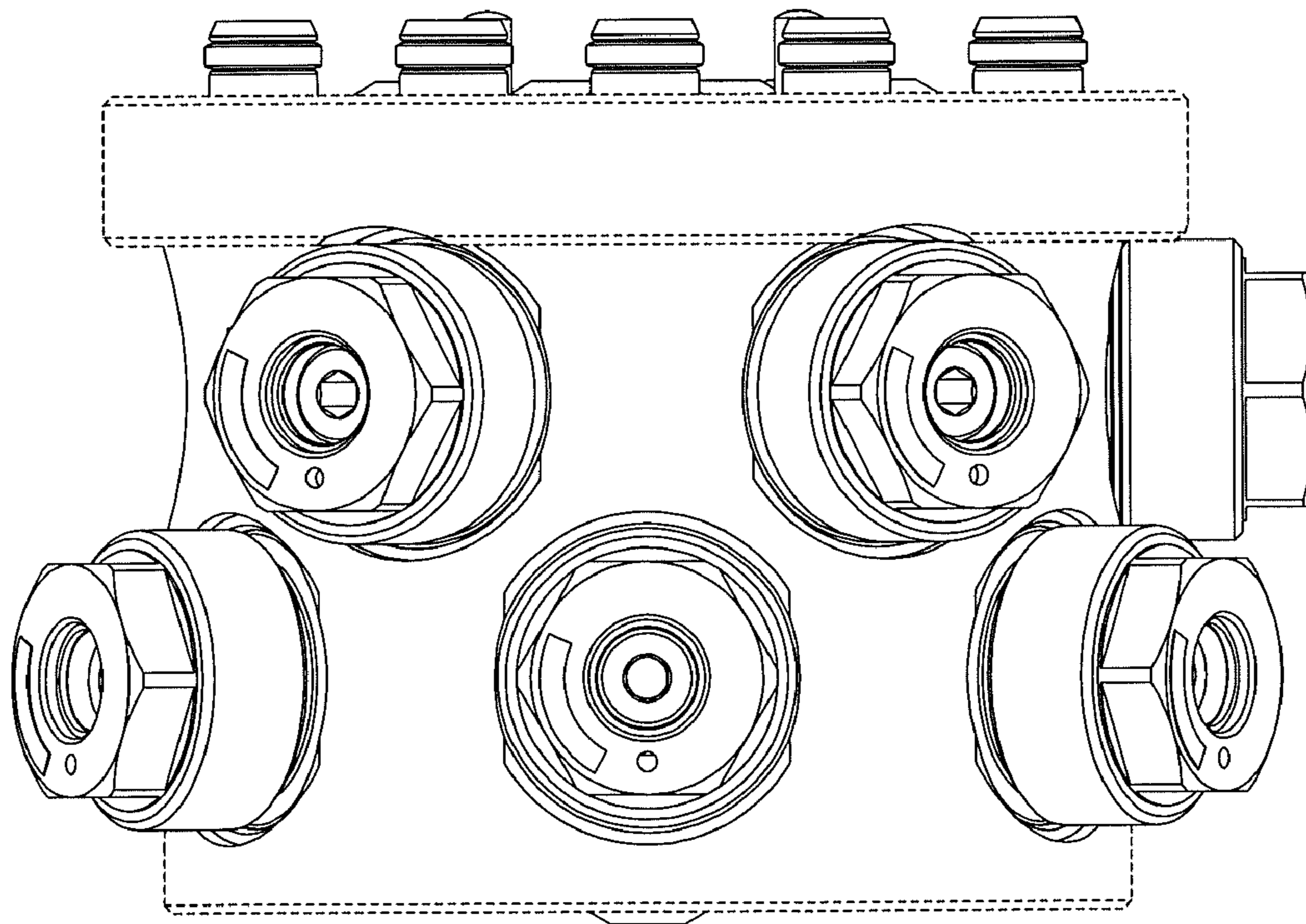


FIG. 6

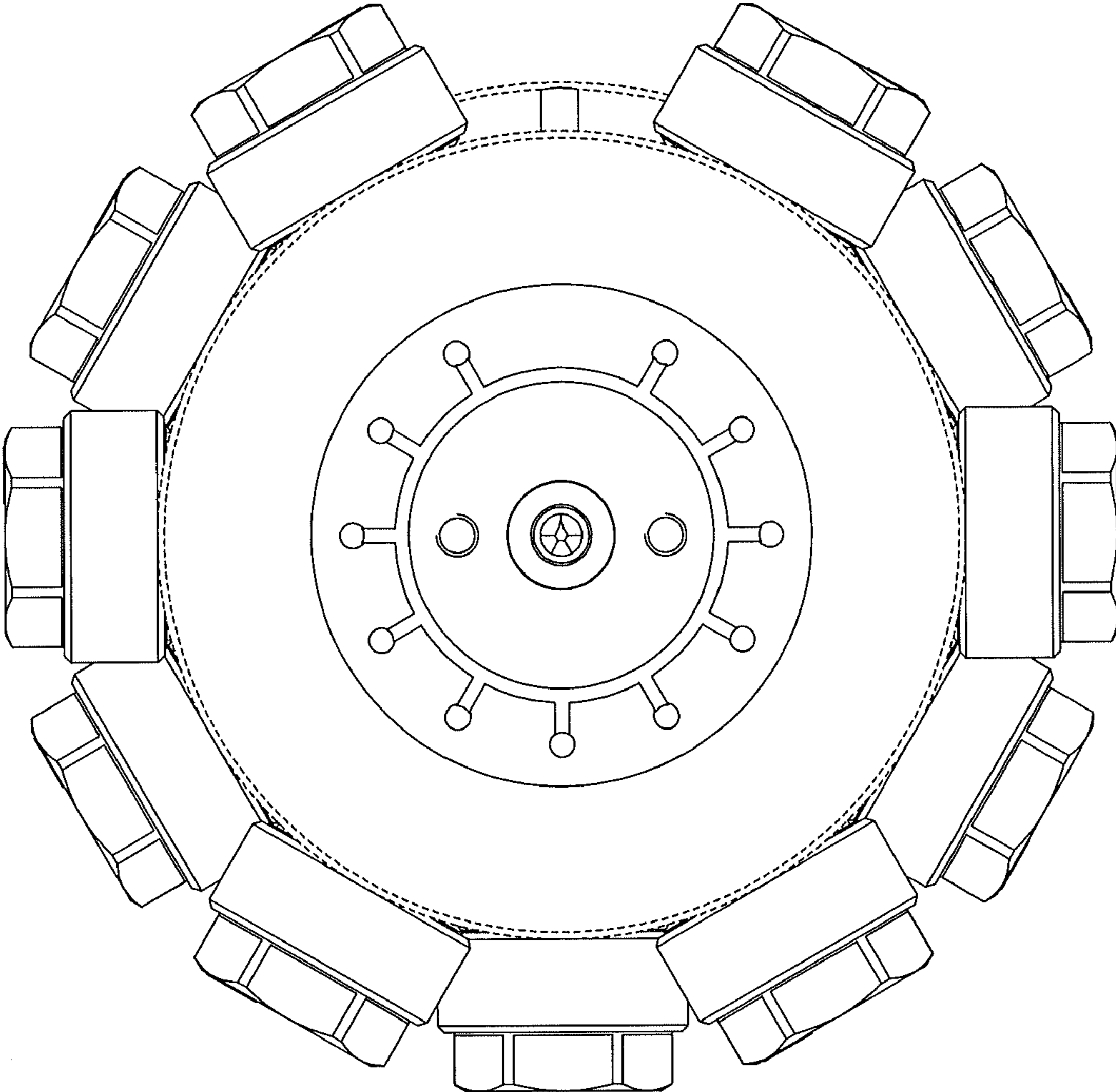


FIG. 7

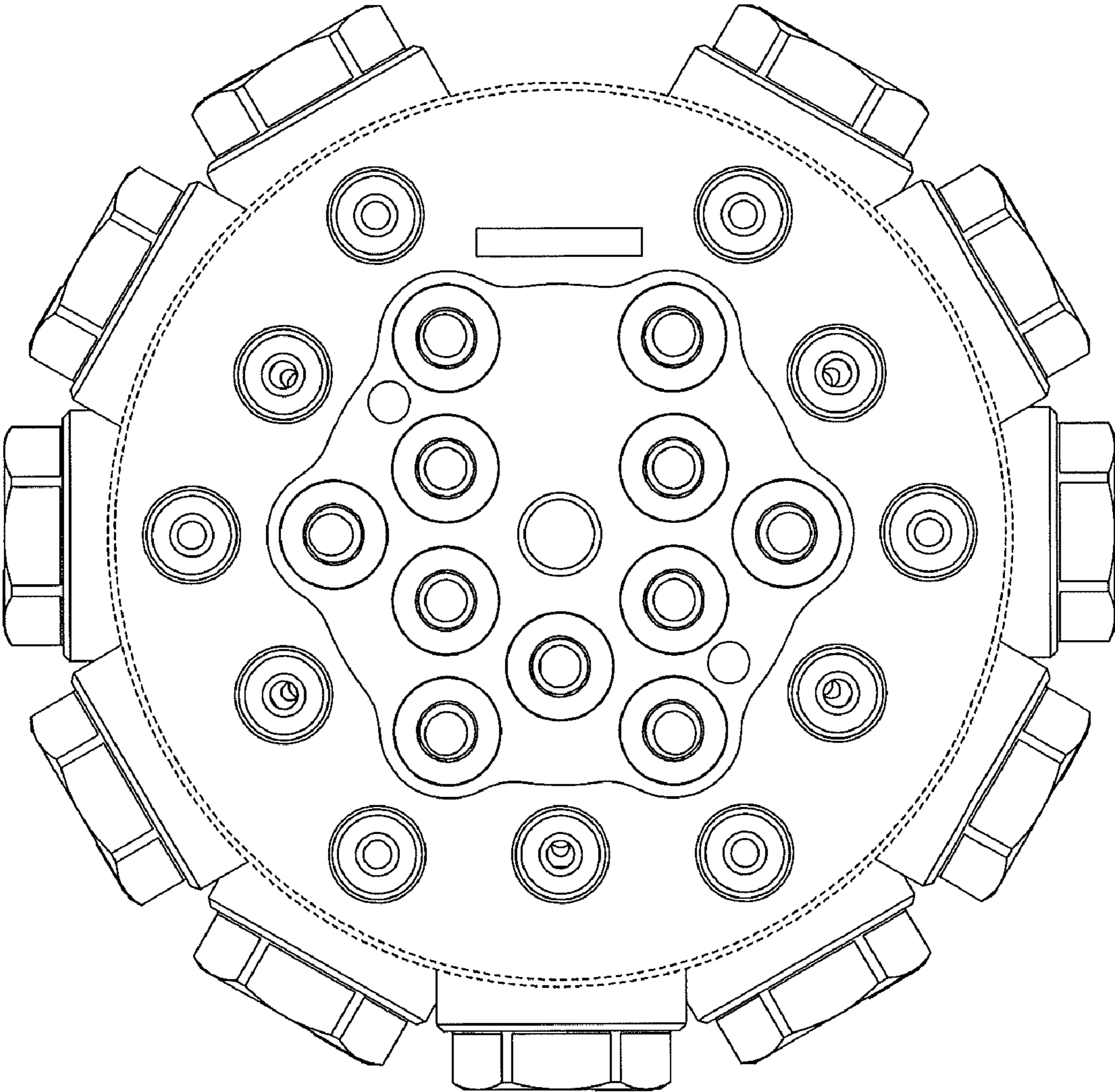


FIG. 8