



US00D657012S

(12) **United States Design Patent**  
**Woodell**

(10) **Patent No.:** **US D657,012 S**

(45) **Date of Patent:** **\*\* Apr. 3, 2012**

(54) **FIREARM NOISE SUPPRESSOR**

(76) Inventor: **Phillip L. Woodell**, Elgin, SC (US)

(\*\*) Term: **14 Years**

(21) Appl. No.: **29/369,756**

(22) Filed: **Sep. 13, 2010**

(51) **LOC (9) Cl.** ..... **22-01**

(52) **U.S. Cl.** ..... **D22/108**

(58) **Field of Classification Search** ..... D22/101-116;  
D21/572-574; 42/59, 71.01-71.02, 72-74;  
89/37.04

See application file for complete search history.

(56) **References Cited**

**U.S. PATENT DOCUMENTS**

1,021,742	A	3/1912	Moore	
1,111,202	A *	9/1914	Westfall	89/14.4
4,576,083	A *	3/1986	Seberger, Jr.	89/14.4
4,588,043	A	5/1986	Finn	
5,136,923	A	8/1992	Walsh, Jr.	
D415,812	S	10/1999	Andrews, Jr.	
D415,813	S	10/1999	O'Quinn	
6,079,311	A *	6/2000	O'Quinn et al.	89/14.4
D435,623	S	12/2000	Andrews, Jr.	
6,575,074	B1	6/2003	Gaddini	
7,412,917	B2	8/2008	Vais	

D594,082	S	6/2009	O'Quinn
7,587,969	B2	9/2009	Silvers
7,600,606	B2	10/2009	Brittingham
2007/0107590	A1	5/2007	Silvers

\* cited by examiner

*Primary Examiner* — Michael Pratt

(74) *Attorney, Agent, or Firm* — B. Craig Killough

(57) **CLAIM**

The ornamental design for a firearm noise suppressor, substantially as shown and described.

**DESCRIPTION**

FIG. 1 is a perspective view of the firearm noise suppressor showing my new design;

FIG. 2 is a side elevation view thereof, with the opposite side being a mirror image of the side elevation view shown in FIG. 2;

FIG. 3 is a rear elevation view thereof;

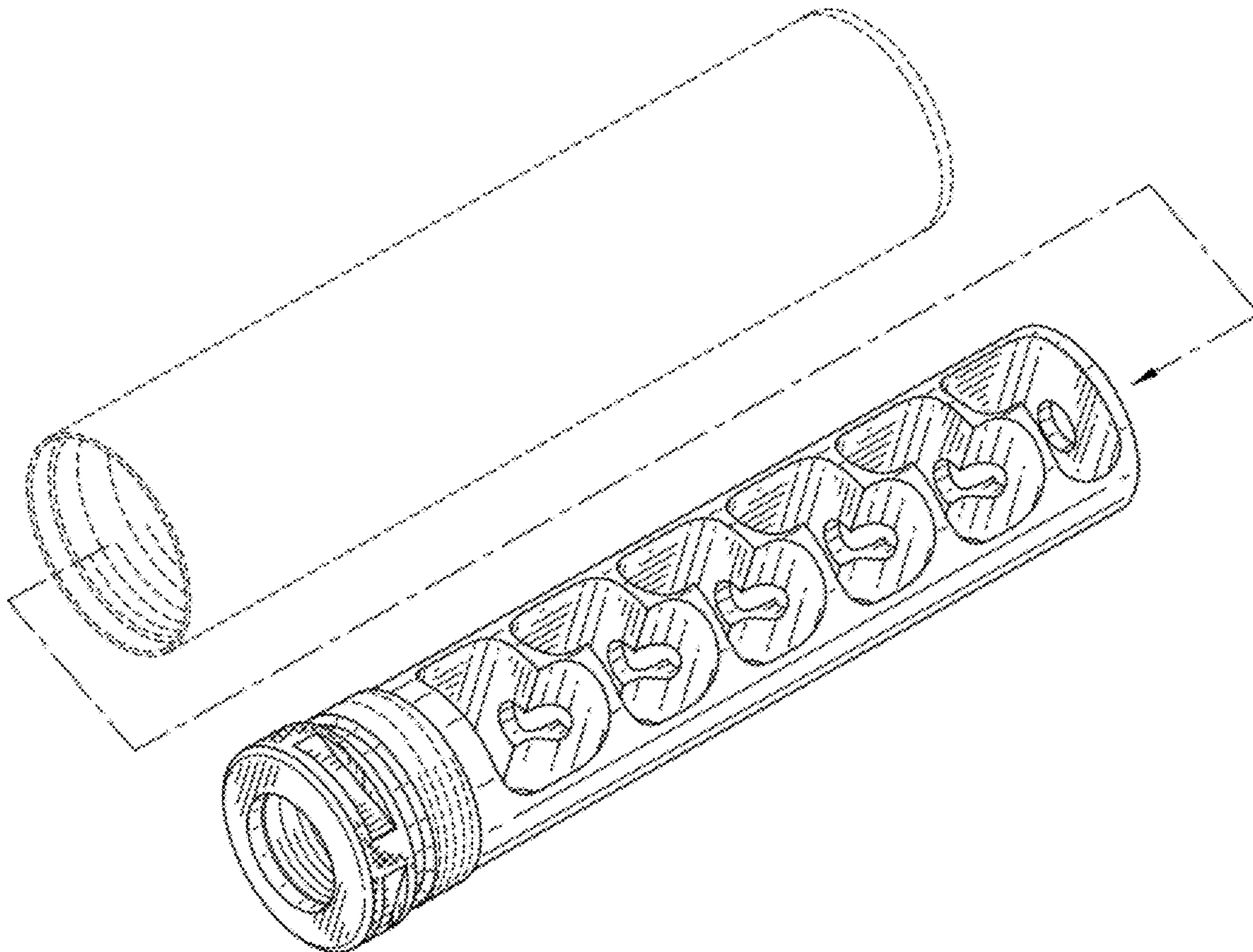
FIG. 4 is a front elevation view thereof;

FIG. 5 is a bottom plan view thereof; and,

FIG. 6 is a top plan view thereof.

The short dashed broken line showing of environment and the short dash long dash short dash broken lines included for the purpose of illustrating order of assembly form no part of the claimed design.

**1 Claim, 3 Drawing Sheets**



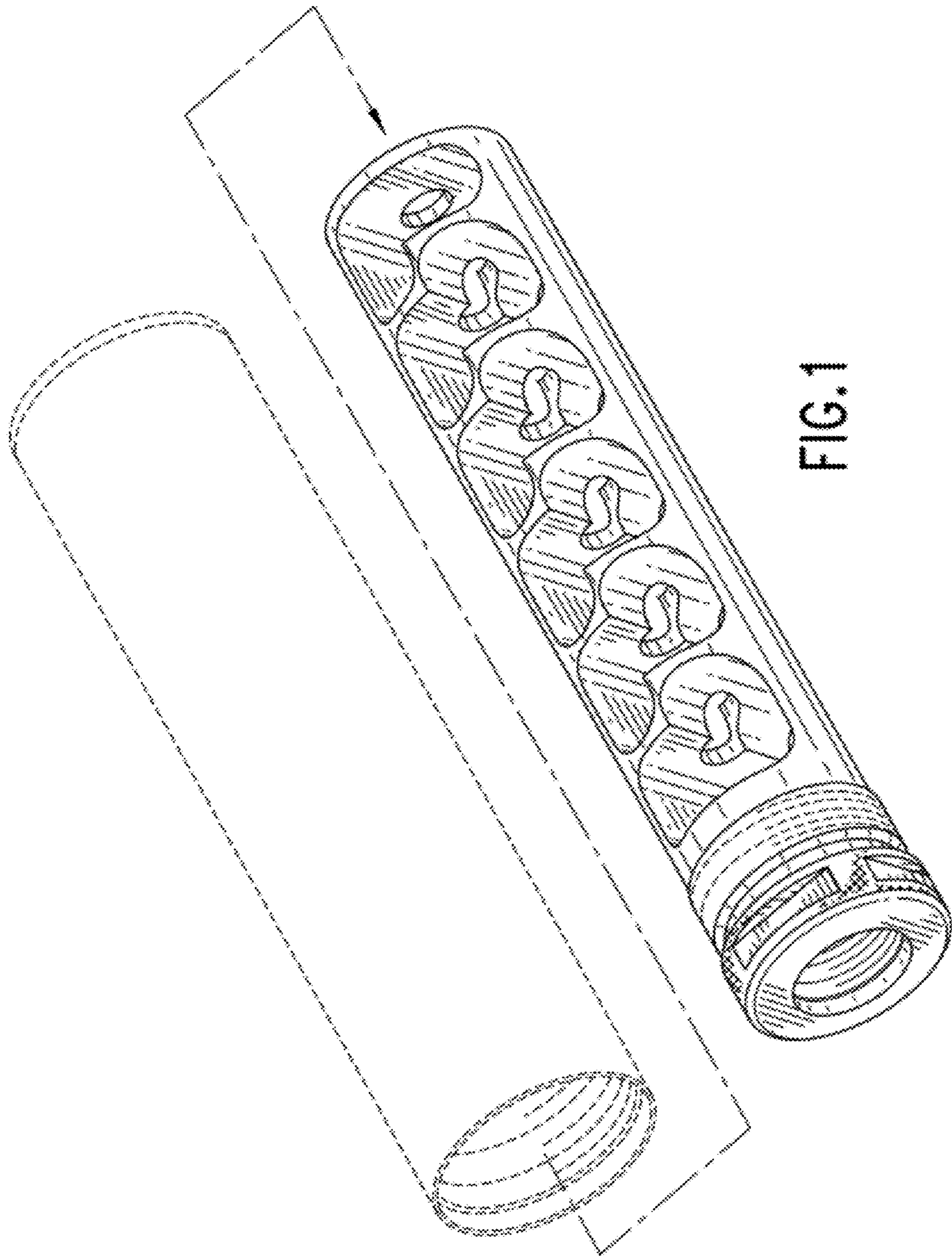


FIG. 1



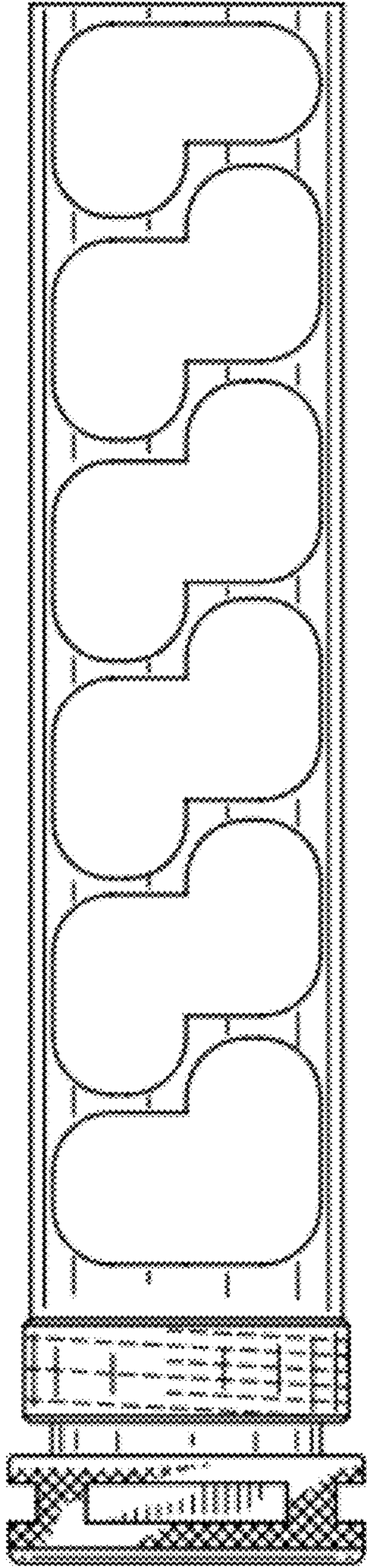


FIG. 2

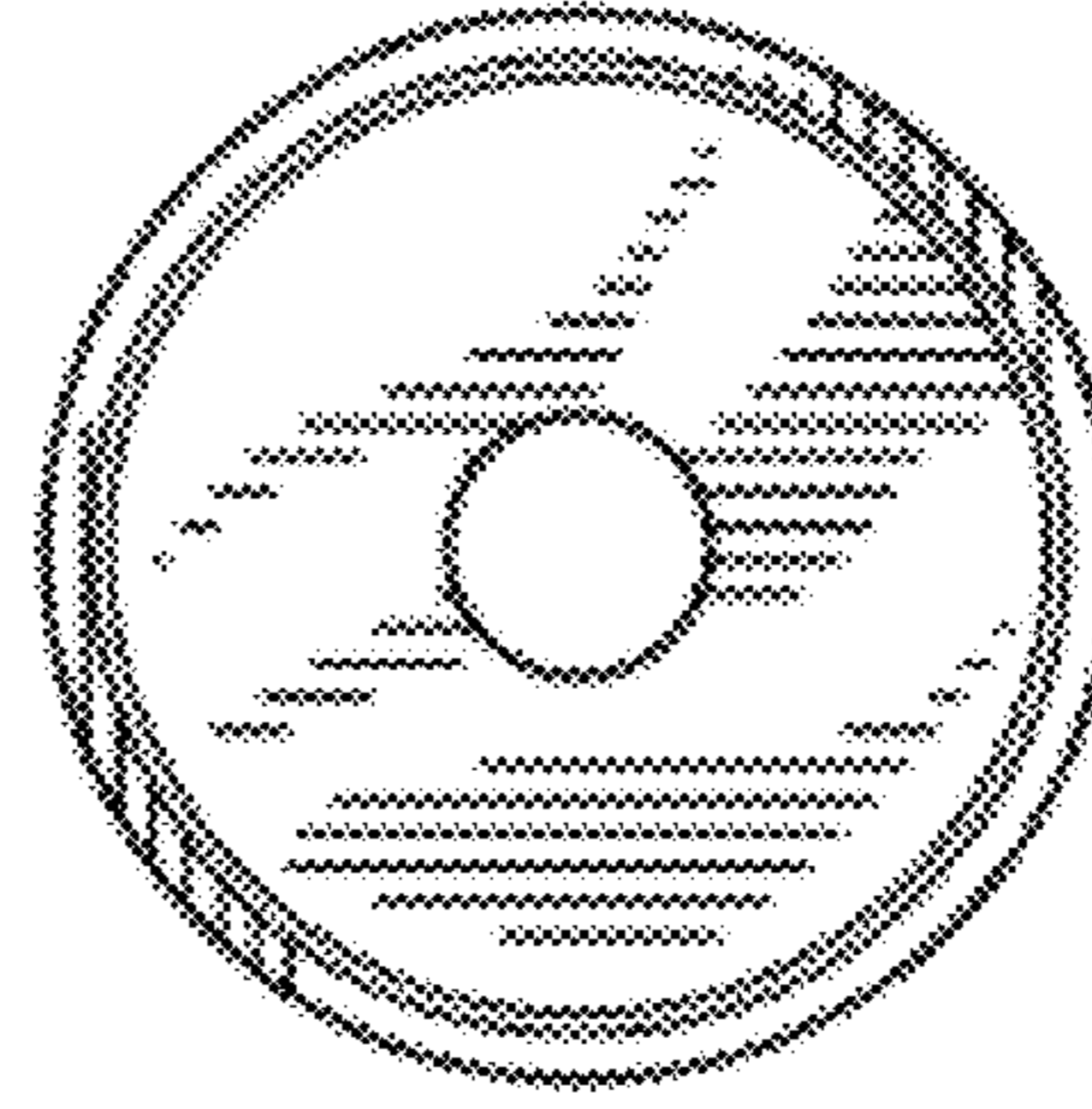


FIG. 4

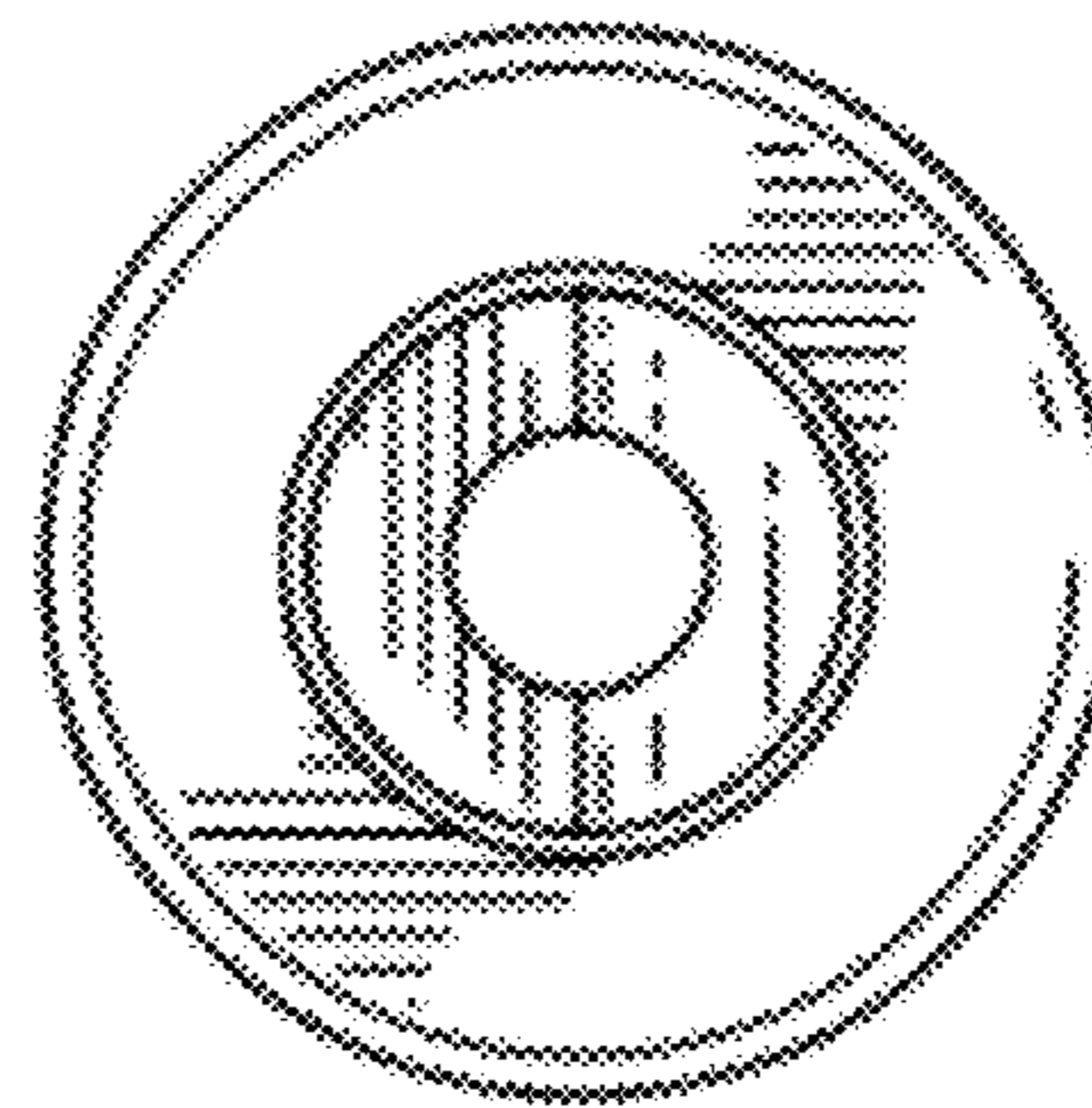


FIG. 3

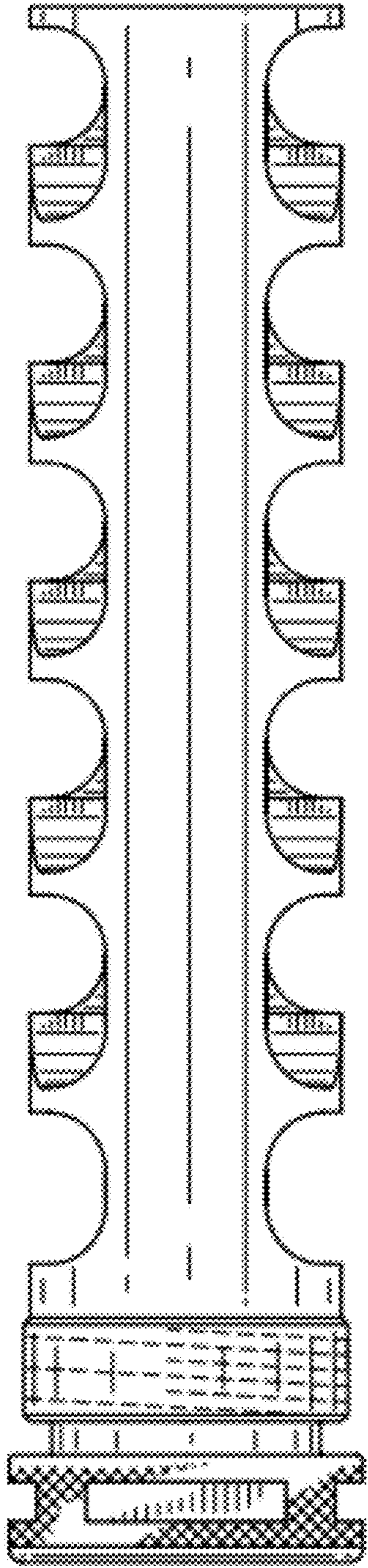


FIG. 5

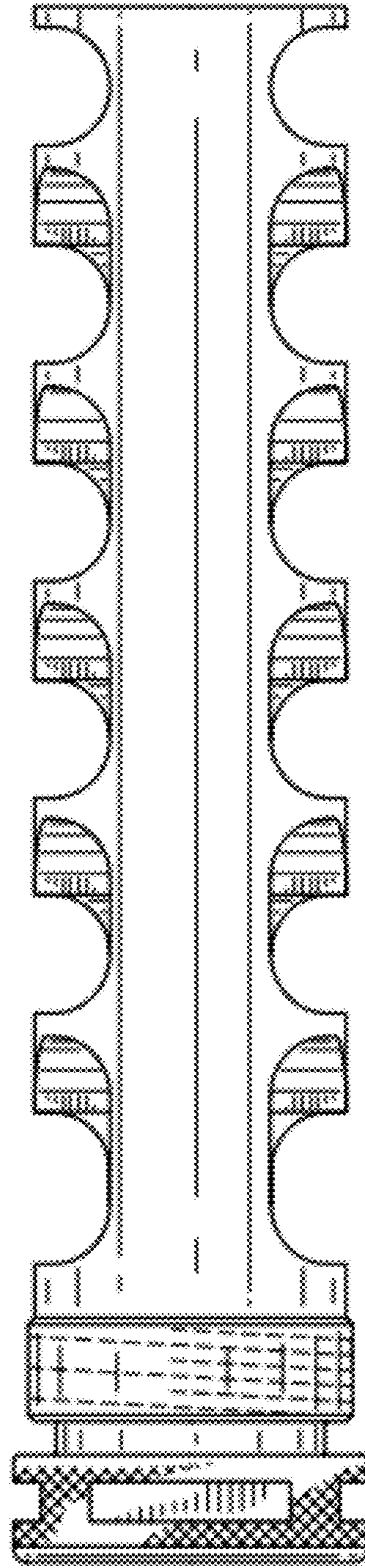


FIG. 6