



US00D657009S

(12) **United States Design Patent**
Krull et al.

(10) **Patent No.:** **US D657,009 S**

(45) **Date of Patent:** **** Apr. 3, 2012**

(54) **JUMP ROPE HANDLE**

(76) Inventors: **Mark A. Krull**, Bend, OR (US);
Stephen P. Ihli, Santa Monica, CA (US)

(**) Term: **14 Years**

(21) Appl. No.: **29/373,151**

(22) Filed: **Mar. 8, 2011**

(51) **LOC (9) Cl.** **21-02**

(52) **U.S. Cl.** **D21/672; D21/684; D21/694**

(58) **Field of Classification Search** D21/662,
D21/672, 682, 684, 694; D8/303, 107; D24/211,
D24/214, 215; 482/44-46, 49, 81, 82, 121
See application file for complete search history.

(56) **References Cited**

U.S. PATENT DOCUMENTS

D93,340	S	*	9/1934	Furtsch	D11/215
D119,035	S	*	2/1940	Lindgren	D24/212
D181,642	S	*	12/1957	Graham	D24/211
3,517,931	A	*	6/1970	Kalish	482/82
D225,907	S	*	1/1973	Shiu	D24/211
3,778,053	A	*	12/1973	Smith et al.	482/82
D232,370	S	*	8/1974	Hasekian	D21/687
4,177,985	A	*	12/1979	Hlasnicek et al.	482/82
4,378,007	A	*	3/1983	Kachadourian	601/121

D271,051	S	*	10/1983	McCoy et al.	D24/211
4,489,934	A	*	12/1984	Miller	482/82
4,563,002	A	*	1/1986	Jardine	482/82
D285,329	S	*	8/1986	Boettger, Jr.	D21/684
4,872,666	A	*	10/1989	Smith	482/82
D313,827	S	*	1/1991	Smith	D21/684
D317,373	S	*	6/1991	Turner	D1/127
D326,300	S	*	5/1992	King et al.	D21/682
D403,384	S	*	12/1998	Clark et al.	D21/684
6,203,476	B1	*	3/2001	Wang et al.	482/121
6,312,359	B1	*	11/2001	Brundle	482/46
D456,864	S	*	5/2002	Dantolan	D21/684
D546,402	S	*	7/2007	Sonnier	D21/662
D615,605	S	*	5/2010	Frasco et al.	D21/694

* cited by examiner

Primary Examiner — Susan E Krakower

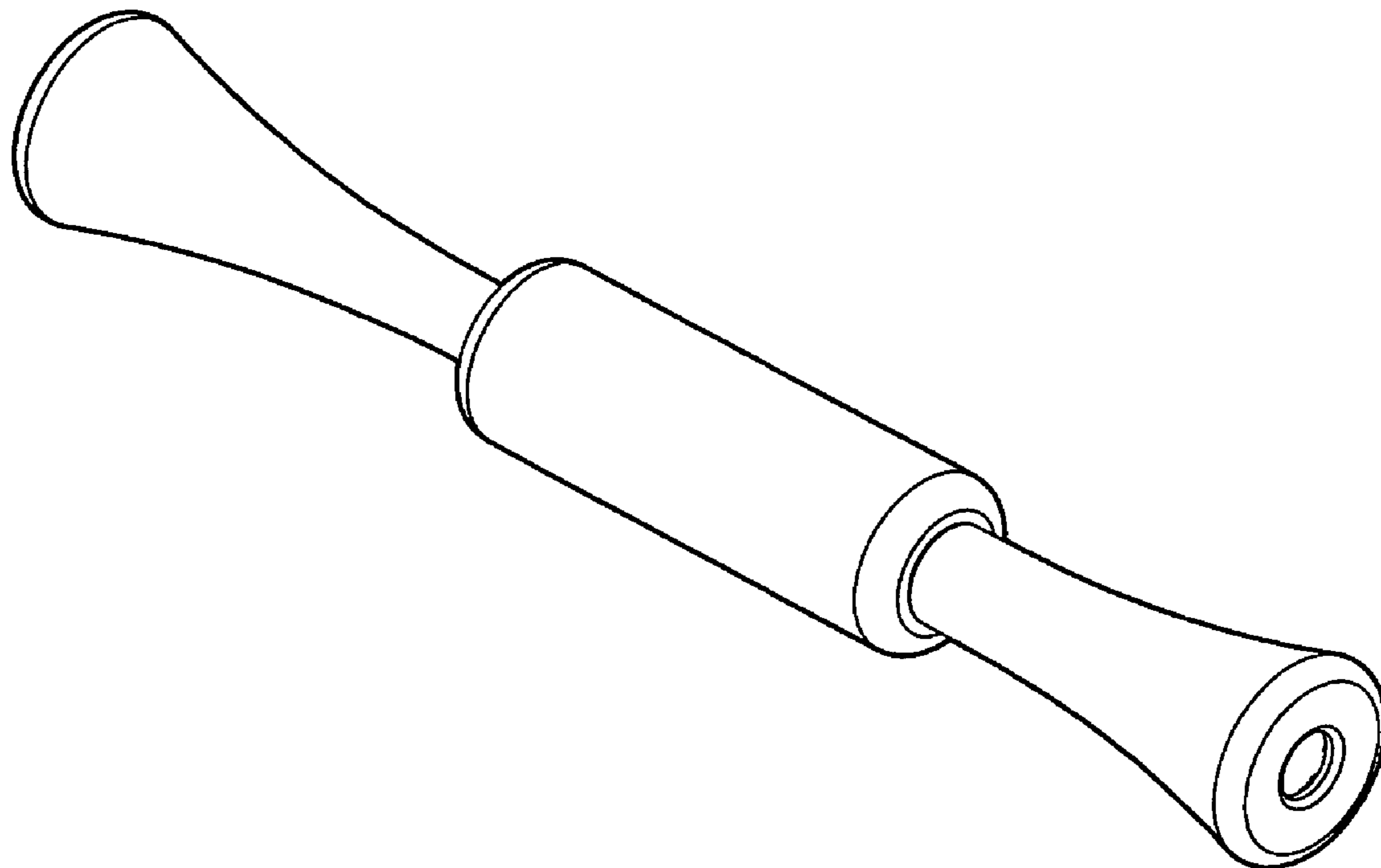
(57) **CLAIM**

The ornamental design for a jump rope handle, as shown and described.

DESCRIPTION

FIG. 1 is a perspective view of a jump rope handle showing our new design;
FIG. 2 is a top view thereof, the bottom, left side and right side elevation views being identical thereto;
FIG. 3 is an end view thereof; and,
FIG. 4 is an opposite end view thereof.

1 Claim, 2 Drawing Sheets



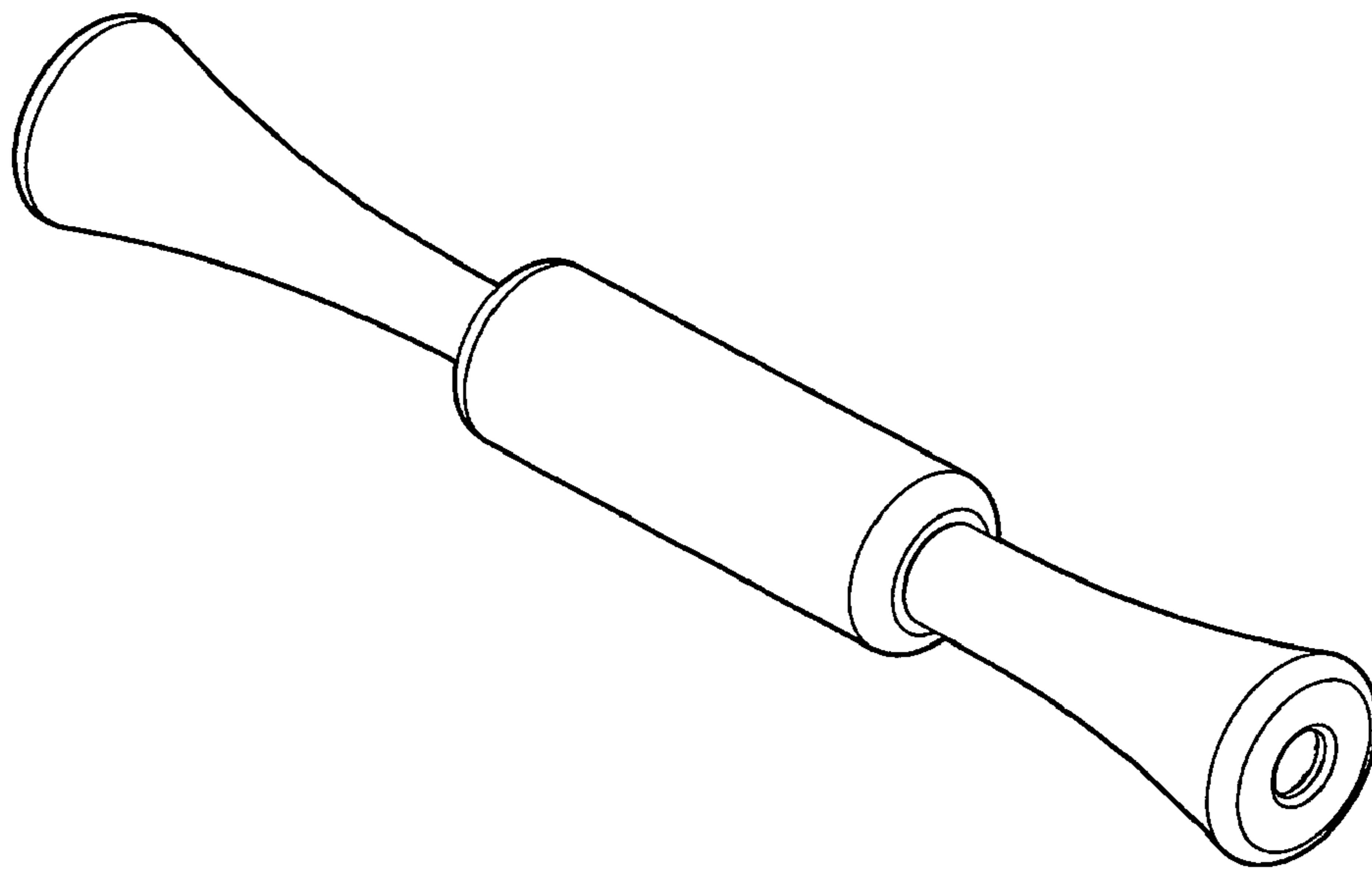


Fig. 1

Fig. 3

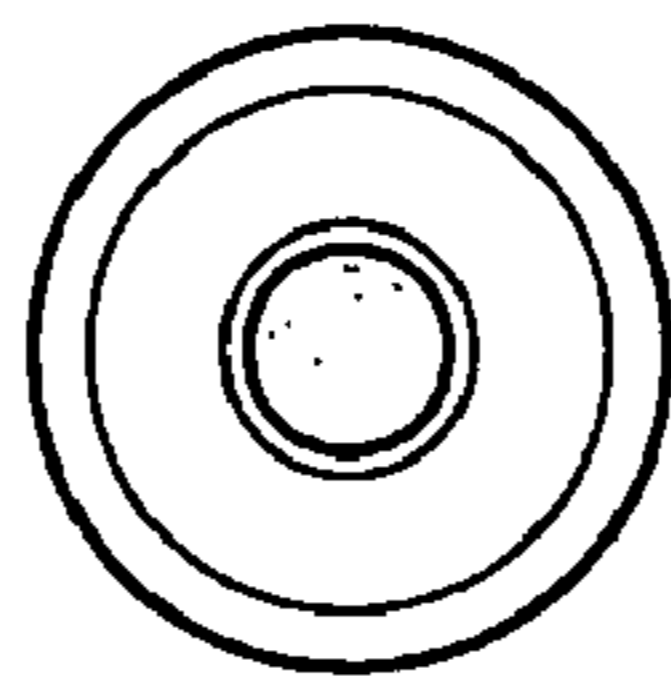


Fig. 2

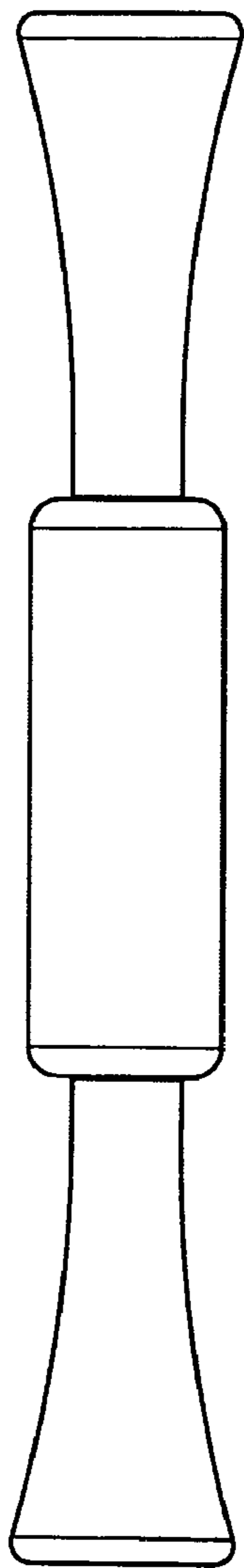


Fig. 4

