



US00D657007S

(12) **United States Design Patent**
O’Leary

(10) **Patent No.:** **US D657,007 S**

(45) **Date of Patent:** **** Apr. 3, 2012**

(54) **DOLL**

(75) Inventor: **Maureen O’Leary**, Charlestown, MA
(US)

(73) Assignee: **Maureen S. O’Leary**, Charlestown, MA
(US)

(**) Term: **14 Years**

(21) Appl. No.: **29/376,240**

(22) Filed: **Oct. 4, 2010**

(51) **LOC (9) Cl.** **21-01**

(52) **U.S. Cl.** **D21/621**

(58) **Field of Classification Search** D21/578–583,
D21/621, 622, 624, 645–649; 446/268, 360,
446/361, 376, 379, 382–384; D11/136, 160
See application file for complete search history.

(56) **References Cited**

U.S. PATENT DOCUMENTS

D3,157 S	8/1868	Fay	
D58,608 S	8/1921	Marston	
D63,183 S	10/1923	Jarvis	
D63,260 S	11/1923	Isaacs	
D72,974 S	7/1927	Allen	
D78,366 S	4/1929	Shepard	
D113,238 S	2/1939	Reighard	
D114,919 S	5/1939	Dale	
D124,956 S	2/1941	Dale	
D131,540 S	3/1942	Phillips	
D172,341 S	6/1954	Dickinson	
2,716,699 A	8/1955	Boden	
2,722,774 A	11/1955	Andreadis	
D201,699 S	7/1965	Fineman	
D353,417 S *	12/1994	Ryaa et al.	D21/649
D354,533 S *	1/1995	Ryaa et al.	D21/649
D388,421 S	12/1997	Polson et al.	
D388,423 S	12/1997	Polson et al.	
D388,724 S	1/1998	Victor et al.	
D402,282 S	12/1998	Ozawa	
D415,801 S	10/1999	Sisler	
D453,200 S *	1/2002	Lewis	D21/649
D459,416 S *	6/2002	Rodgers	D21/649
D483,081 S *	12/2003	Love	D21/643
D493,852 S *	8/2004	Robinson et al.	D21/645

D496,080 S *	9/2004	Aponte	D21/645
D496,081 S *	9/2004	Stout et al.	D21/645
D508,966 S *	8/2005	Zehrun	D21/577
D531,084 S *	10/2006	McGowen et al.	D11/160
D531,542 S	11/2006	McGowen	
D573,668 S	7/2008	Auberger	
D581,994 S	12/2008	Wilk	
D611,109 S	3/2010	Jones	
D614,252 S	4/2010	Pilgaard	

OTHER PUBLICATIONS

InterfaceLIFT: Microsoft Windows Icons (by date), p. 2, [online],
[retrieved on Apr. 4, 2007]. Retrieved from the Internet <URL: http://
interfaceliff.com/icons-win/>.

Iconfactory: Freeware: Panda-Z, [online] Released Jul. 27, 2004
[retrieved on Apr. 4, 2007]. Retrieved from the Internet <URL:
Iconfactory: Freeware: Panda-Z>.

* cited by examiner

Primary Examiner — Zenia Bennett

(74) *Attorney, Agent, or Firm* — Lando & Anastasi, LLP

(57) **CLAIM**

The ornamental design for a doll, as shown and described.

DESCRIPTION

FIG. 1 is a front side elevational view of the doll body with a long neck.

FIG. 2 is a left elevational view thereof.

FIG. 3 is a right side elevational view thereof.

FIG. 4 is a rear elevational view thereof.

FIG. 5 is a perspective view of thereof.

FIG. 6 is a bottom plan view thereof.

FIG. 7 is a top plan view thereof.

FIG. 8 is a front side elevational view of the doll body with a short neck.

FIG. 9 is a left elevational view thereof.

FIG. 10 is a right side elevational view thereof.

FIG. 11 is a rear elevational view thereof.

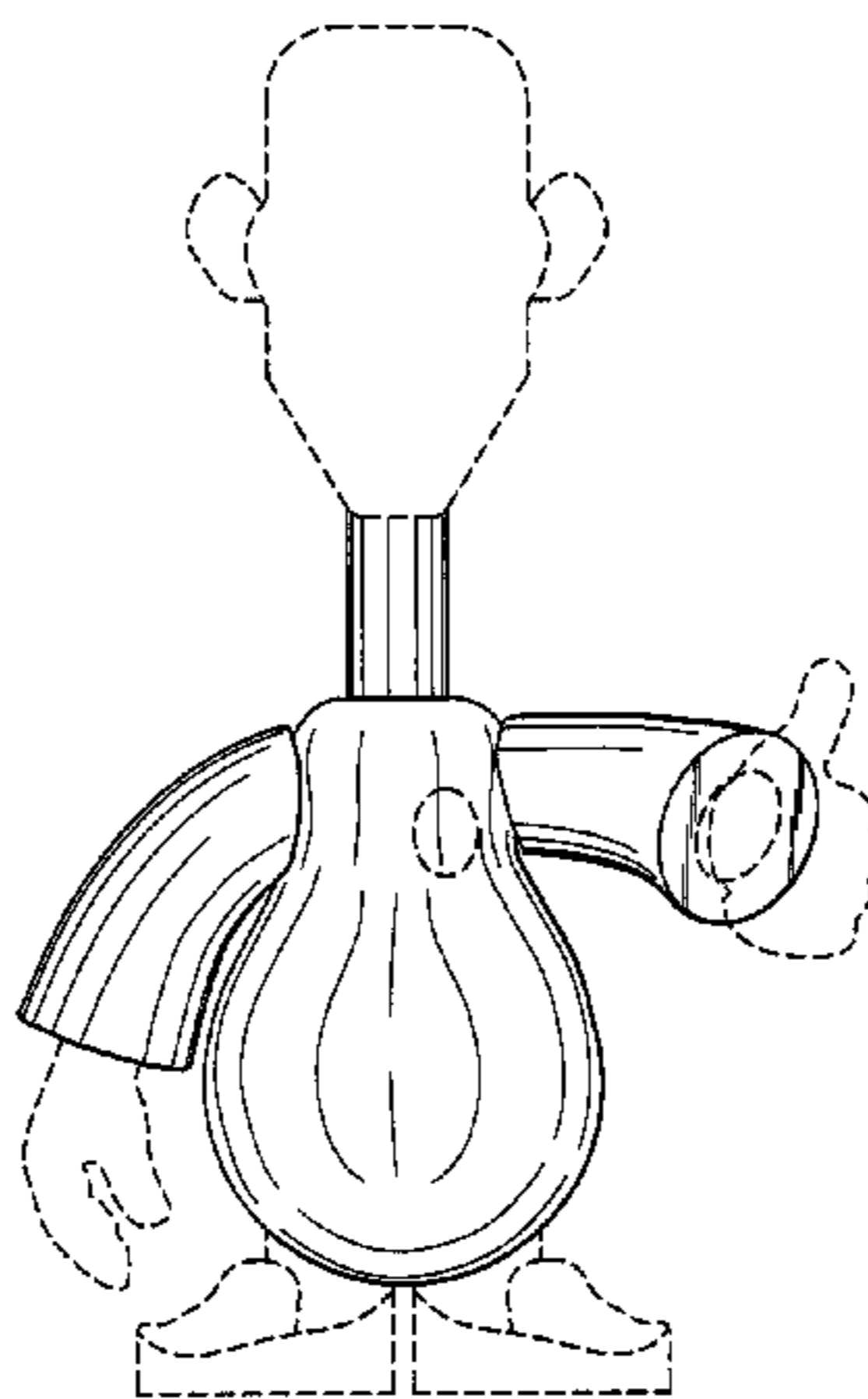
FIG. 12 is a perspective view of thereof.

FIG. 13 is a bottom plan view thereof; and,

FIG. 14 is a top plan view thereof.

The broken lines in the drawings are for illustrative purposes only and form no part of the claimed design.

1 Claim, 6 Drawing Sheets



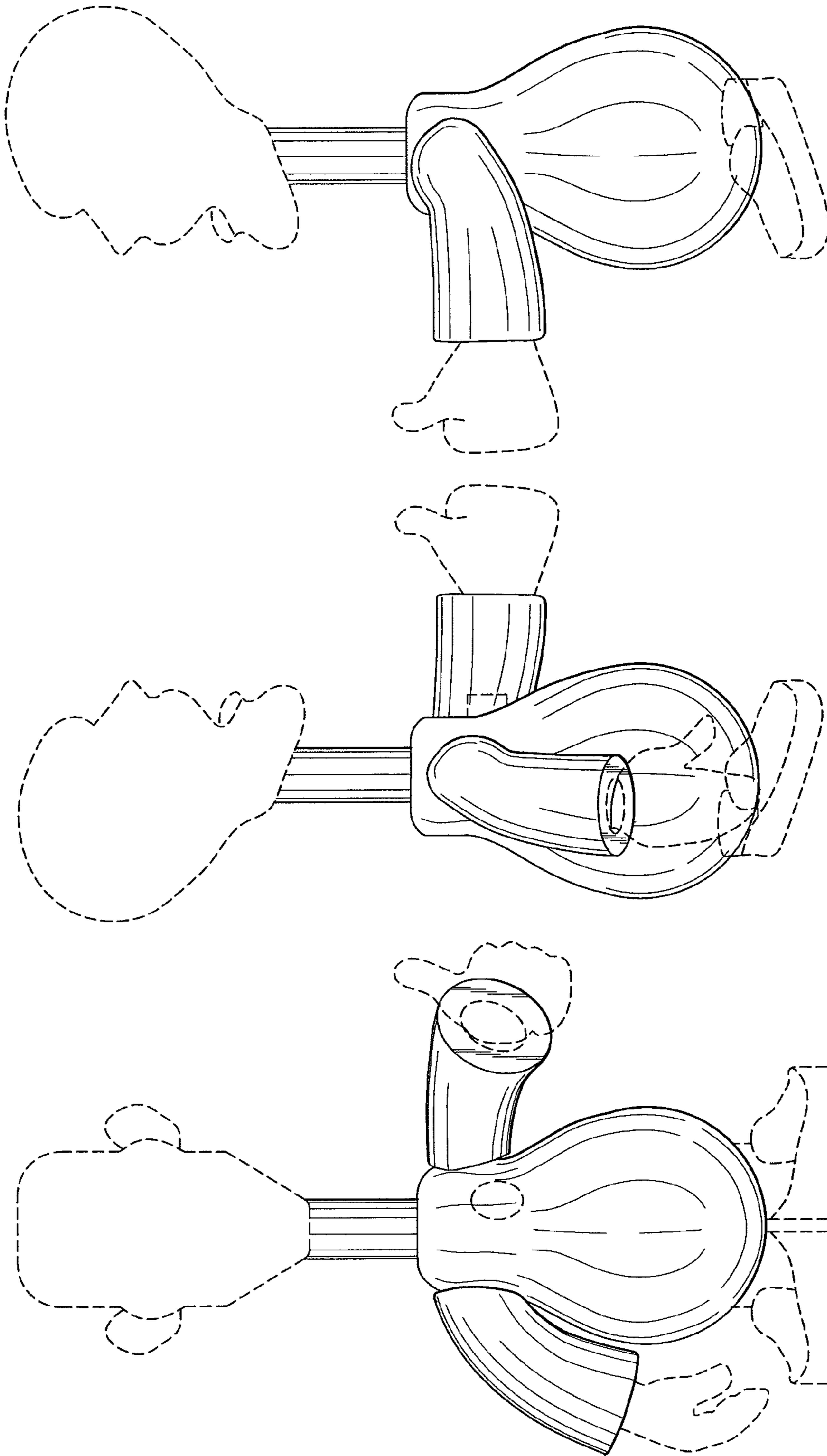


FIG. 1

FIG. 2

FIG. 3

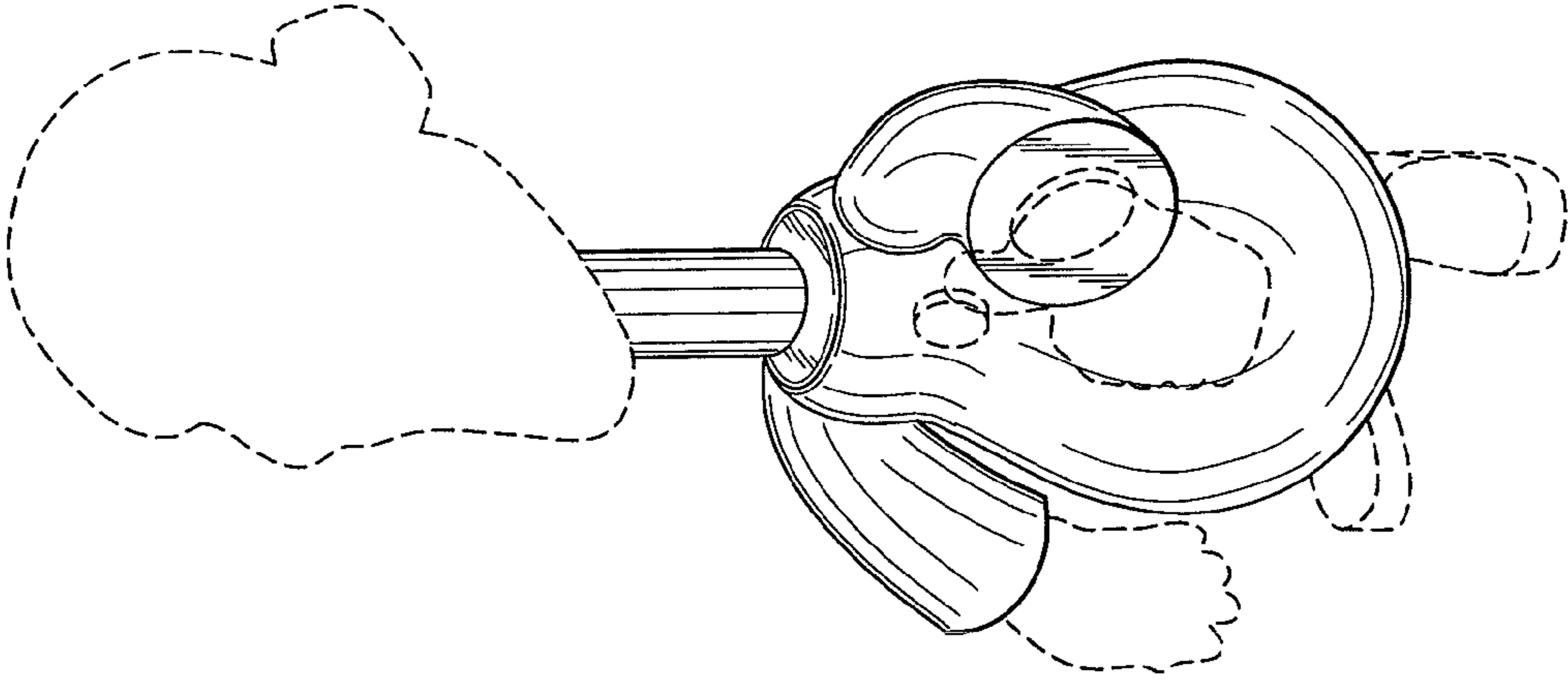


FIG. 5

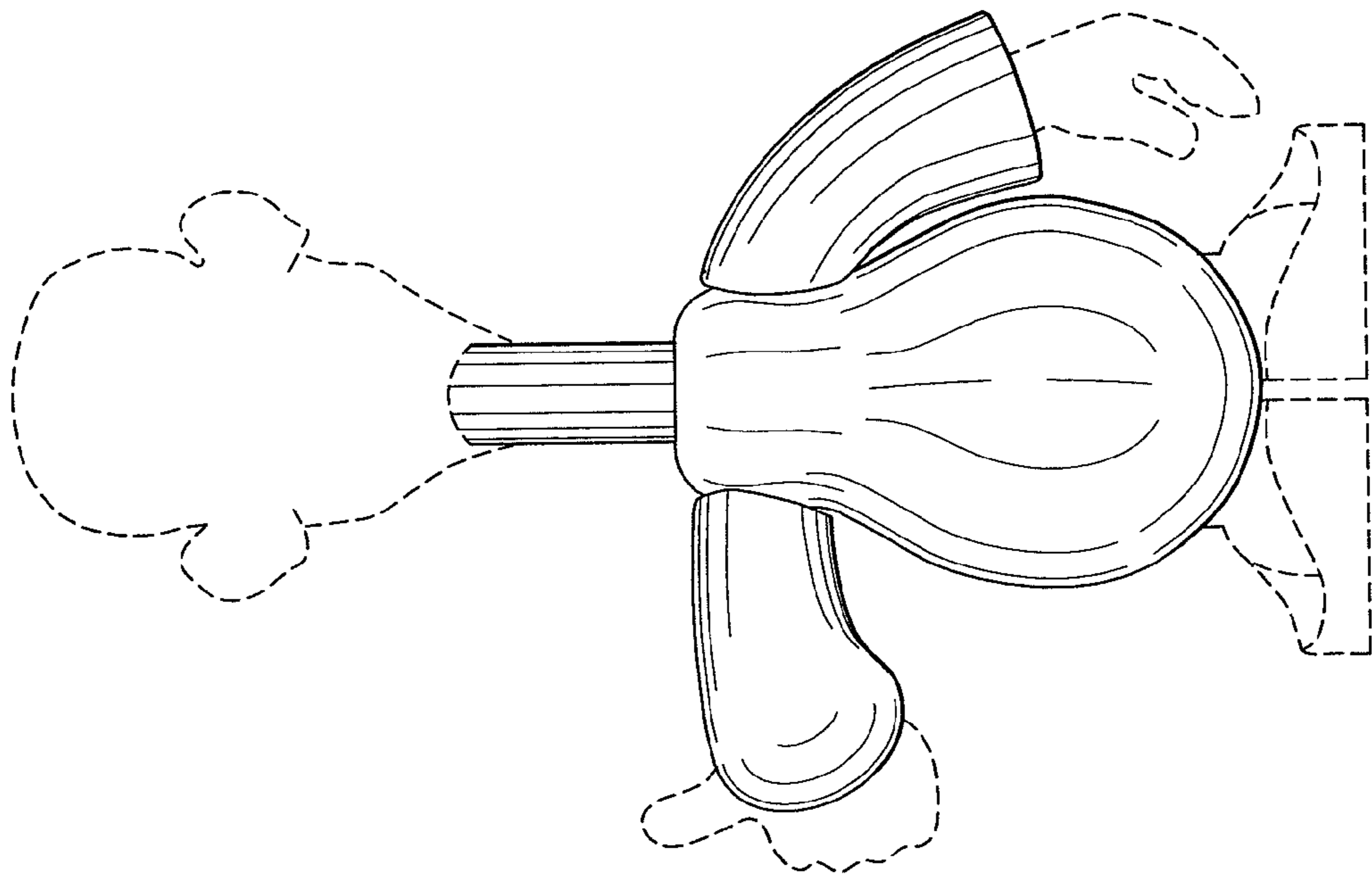


FIG. 4

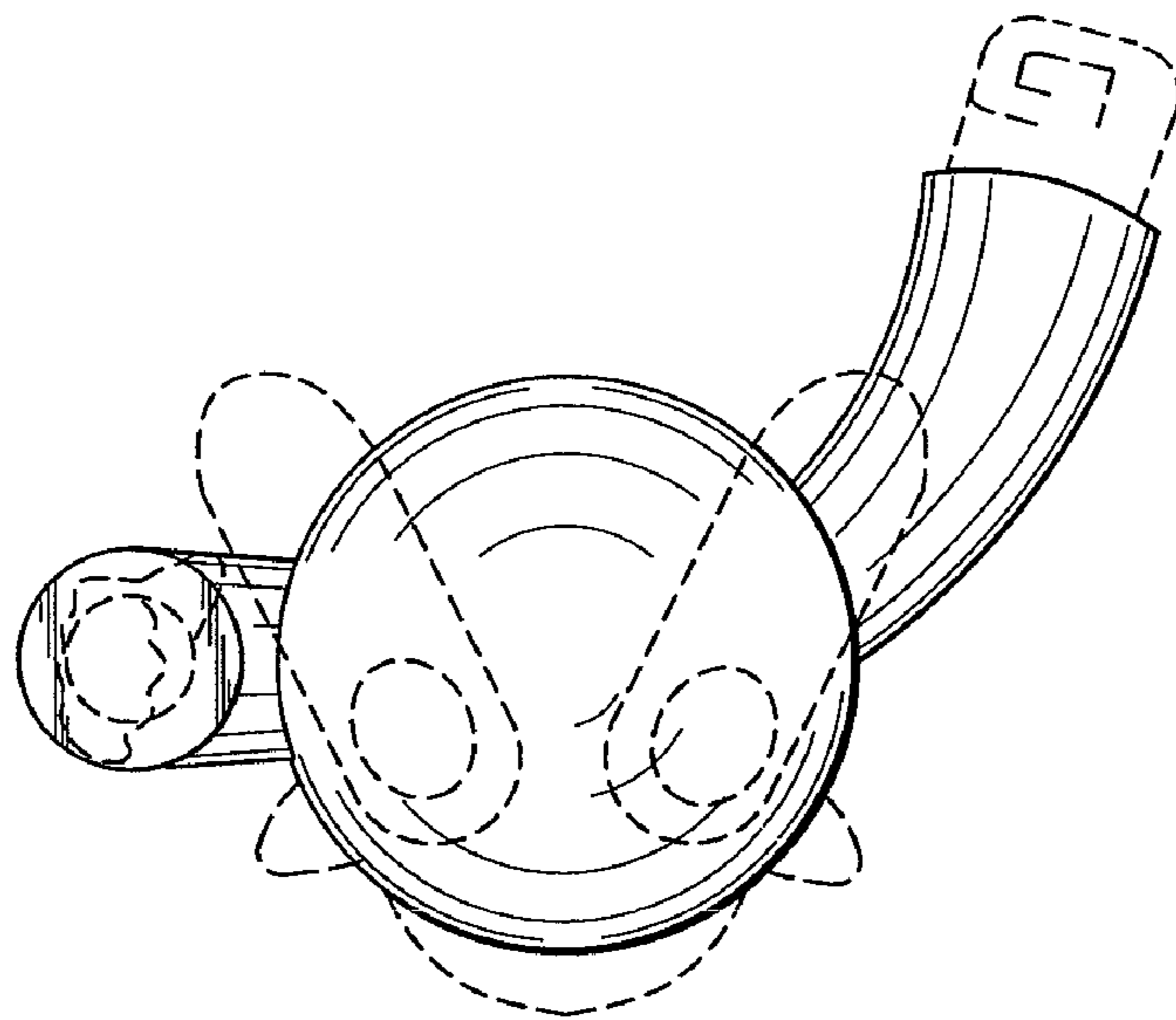


FIG. 6

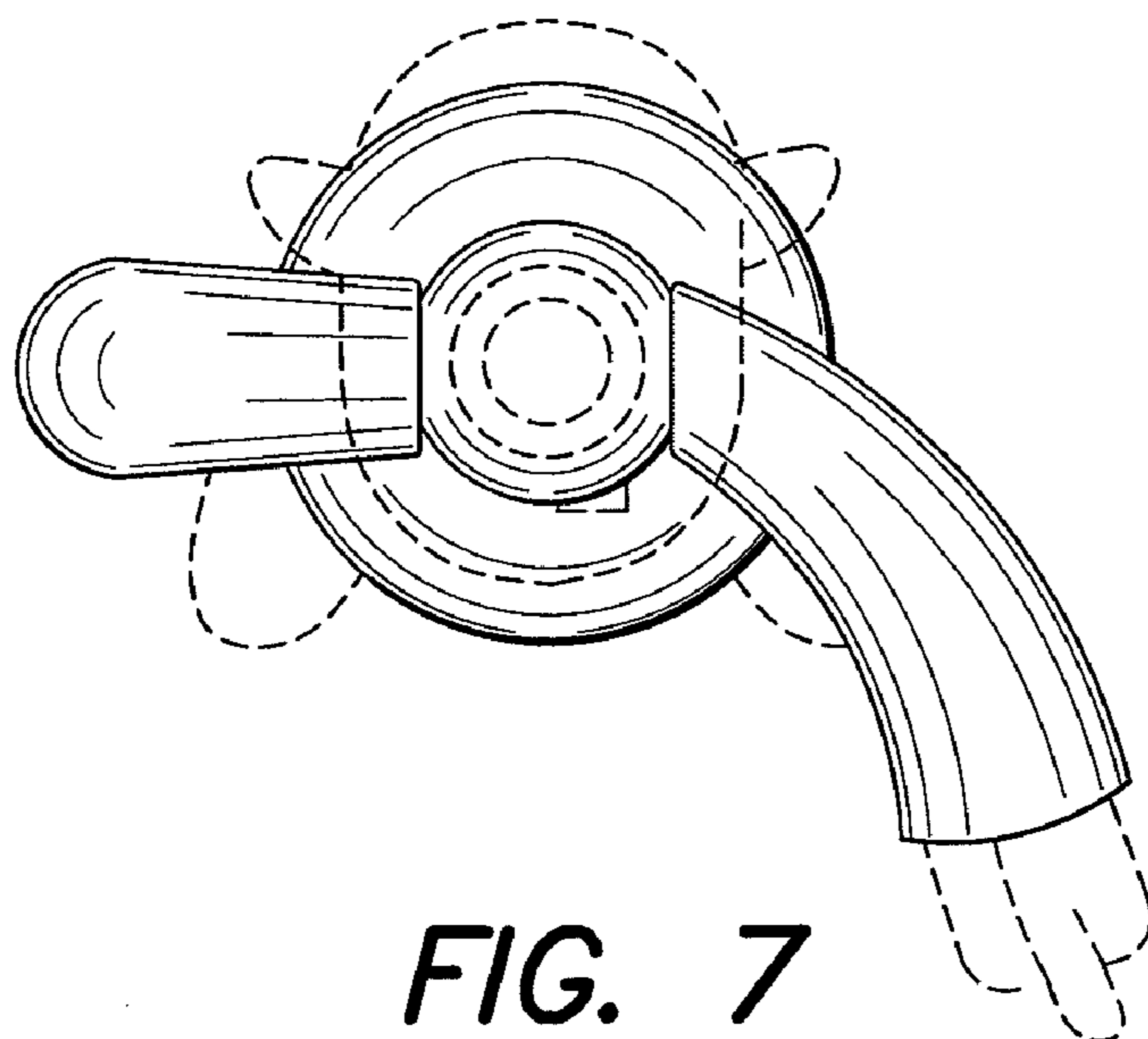


FIG. 7

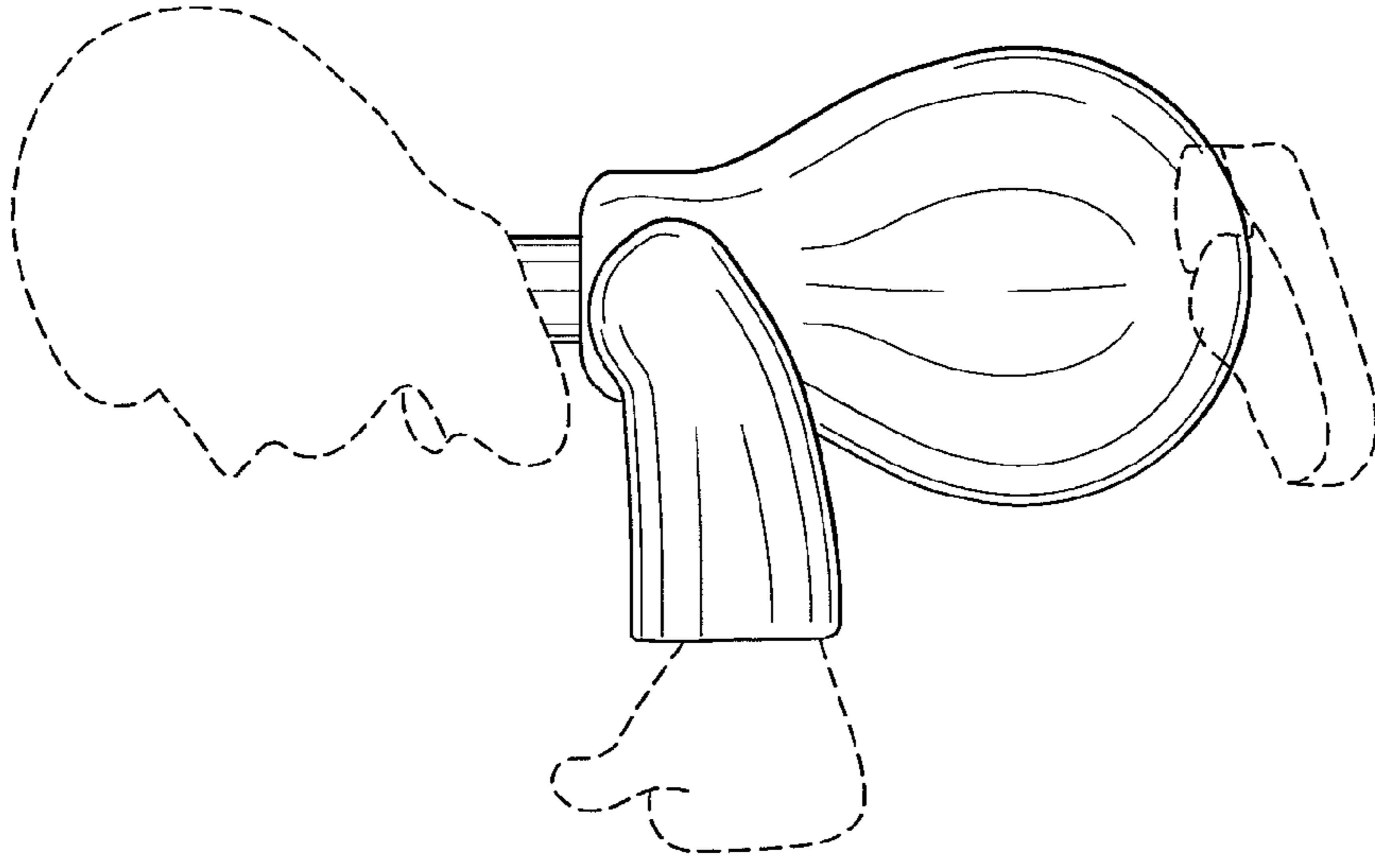


FIG. 8

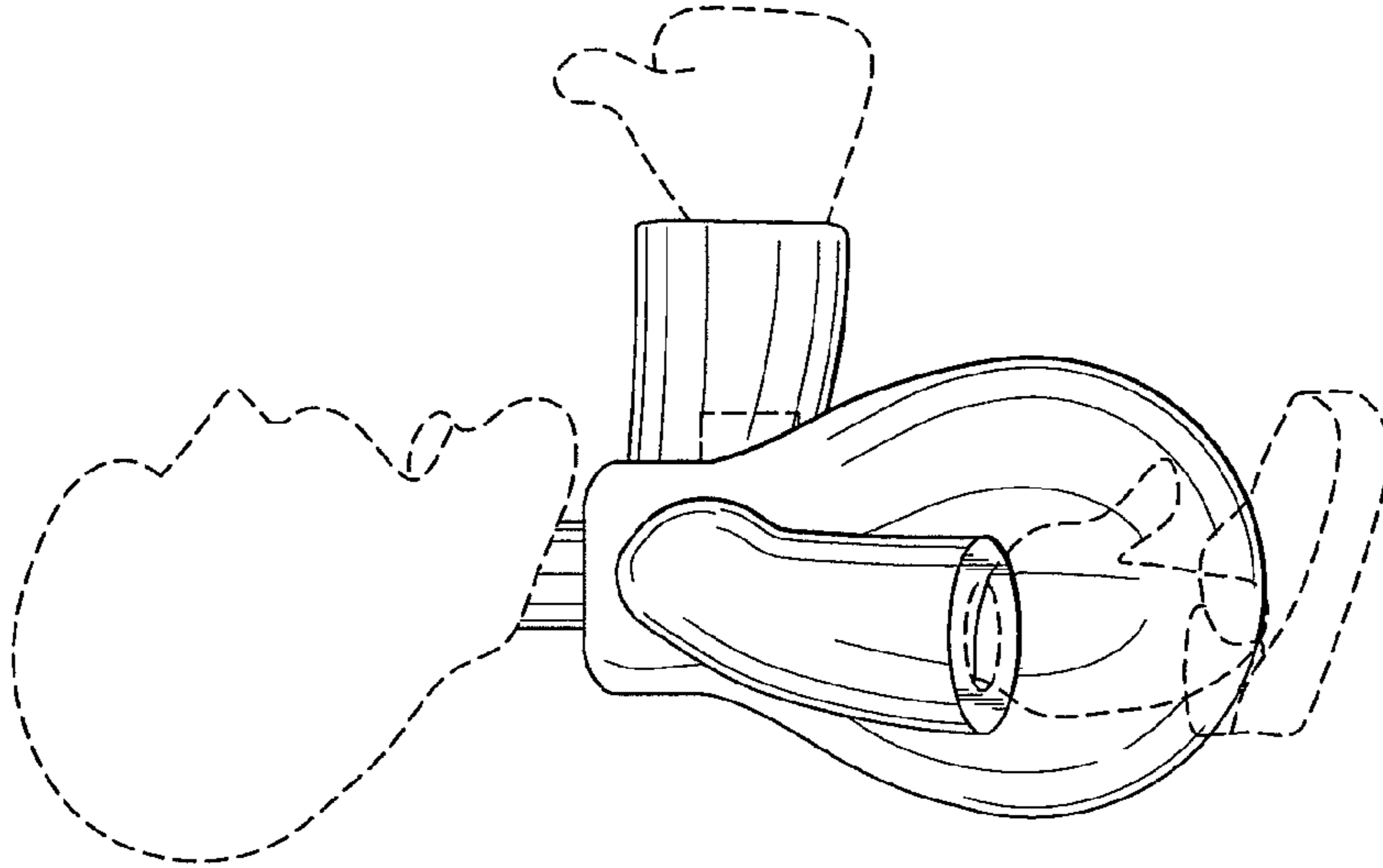


FIG. 9

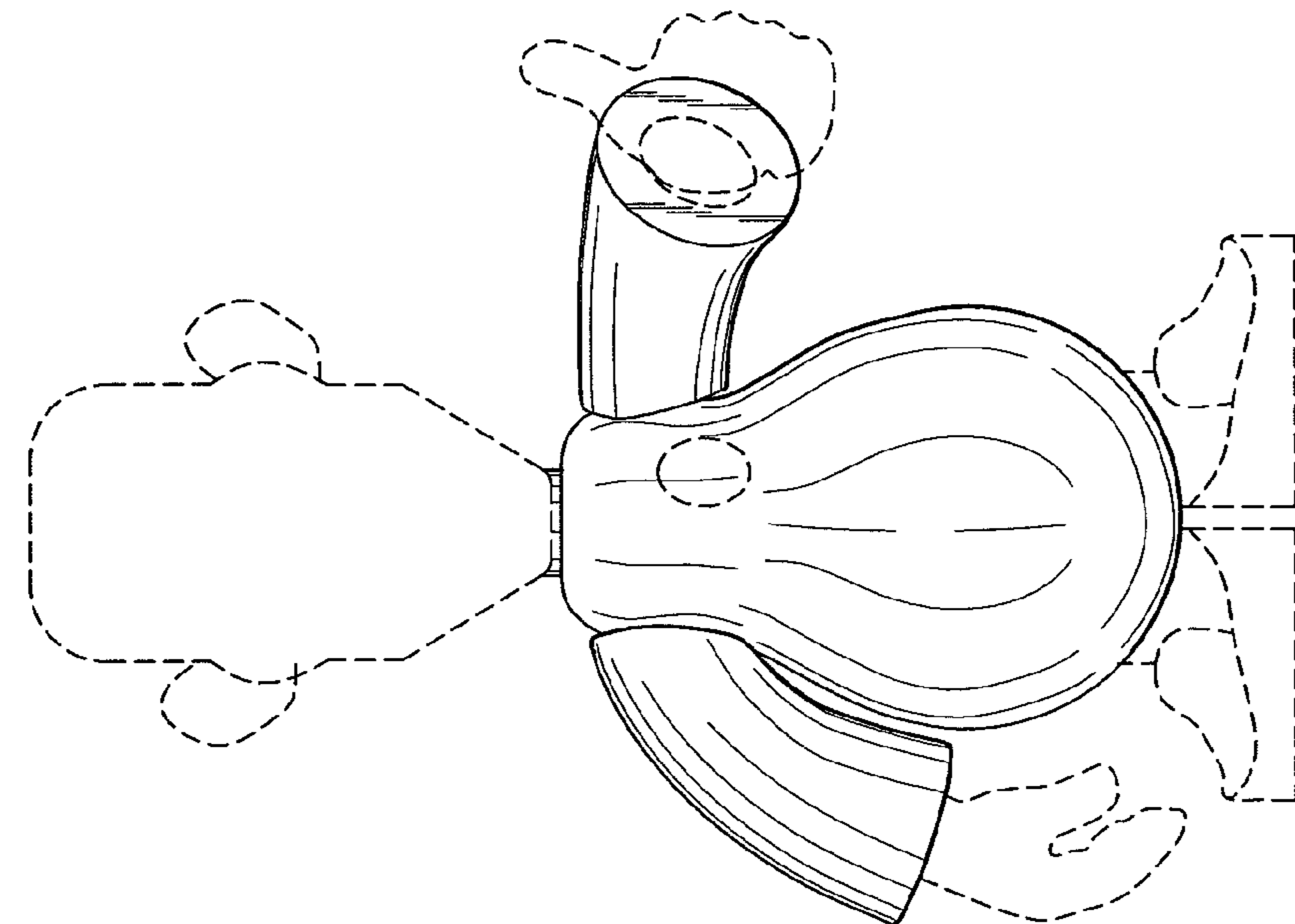


FIG. 10

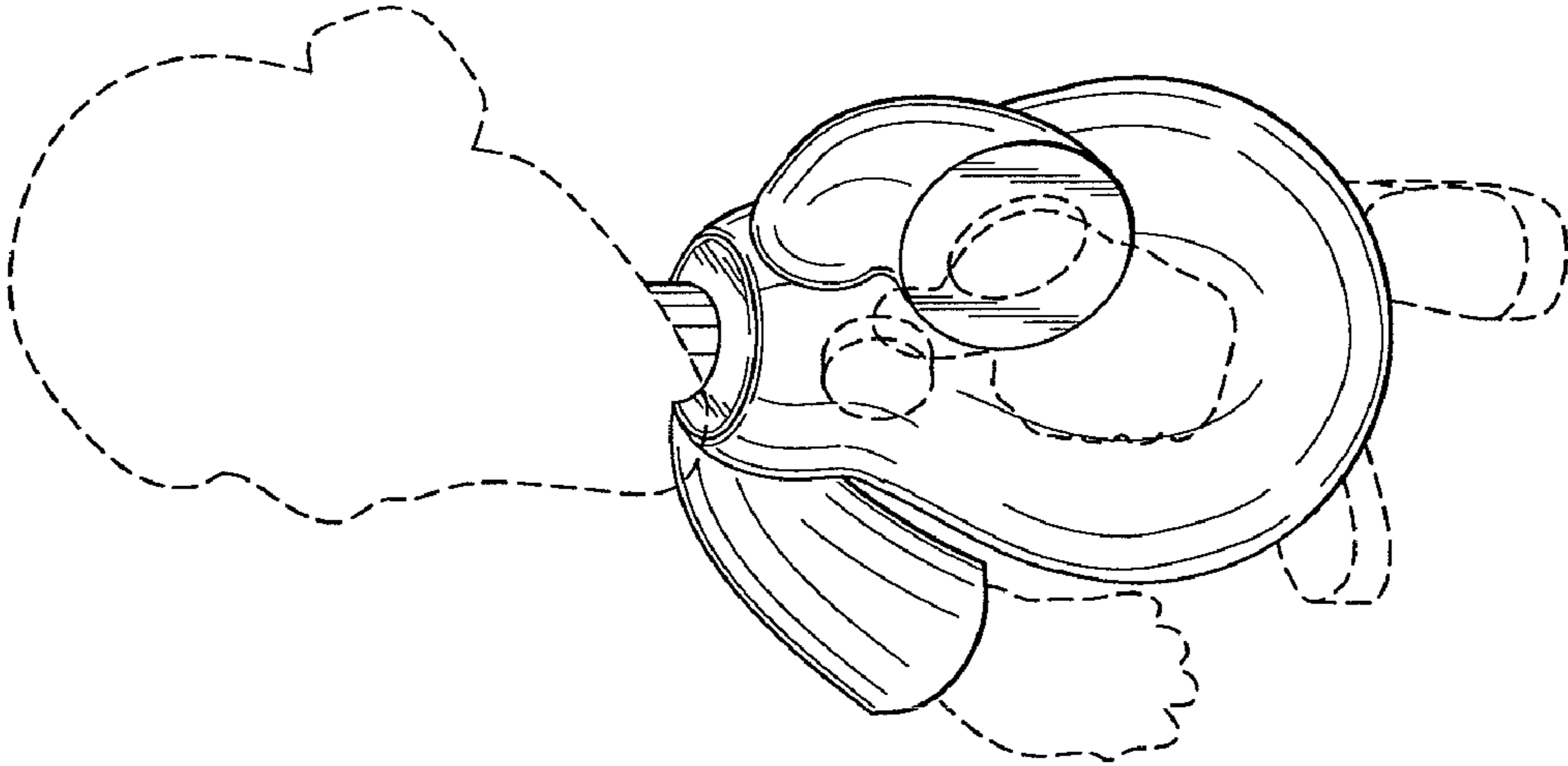


FIG. 12

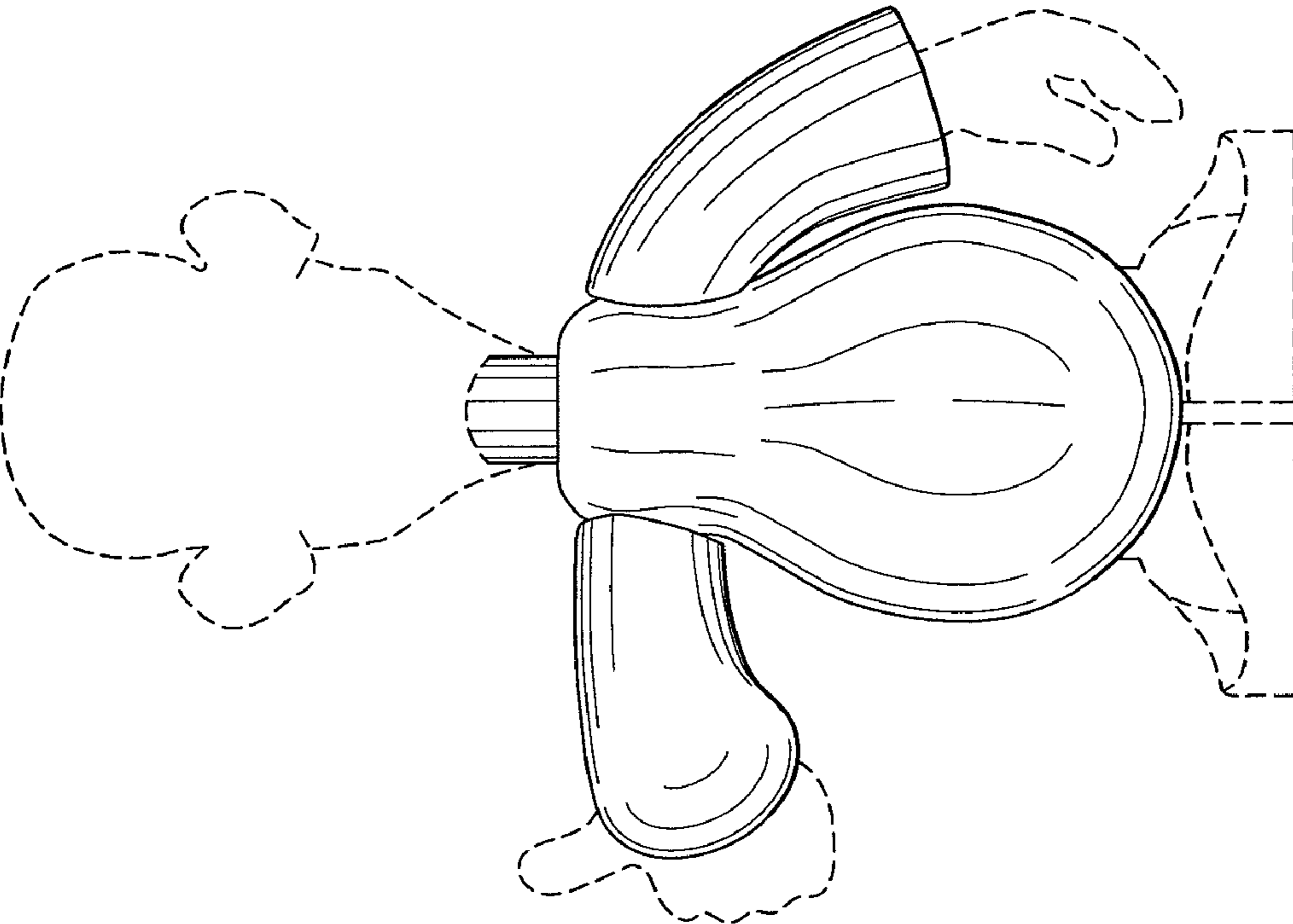


FIG. 11

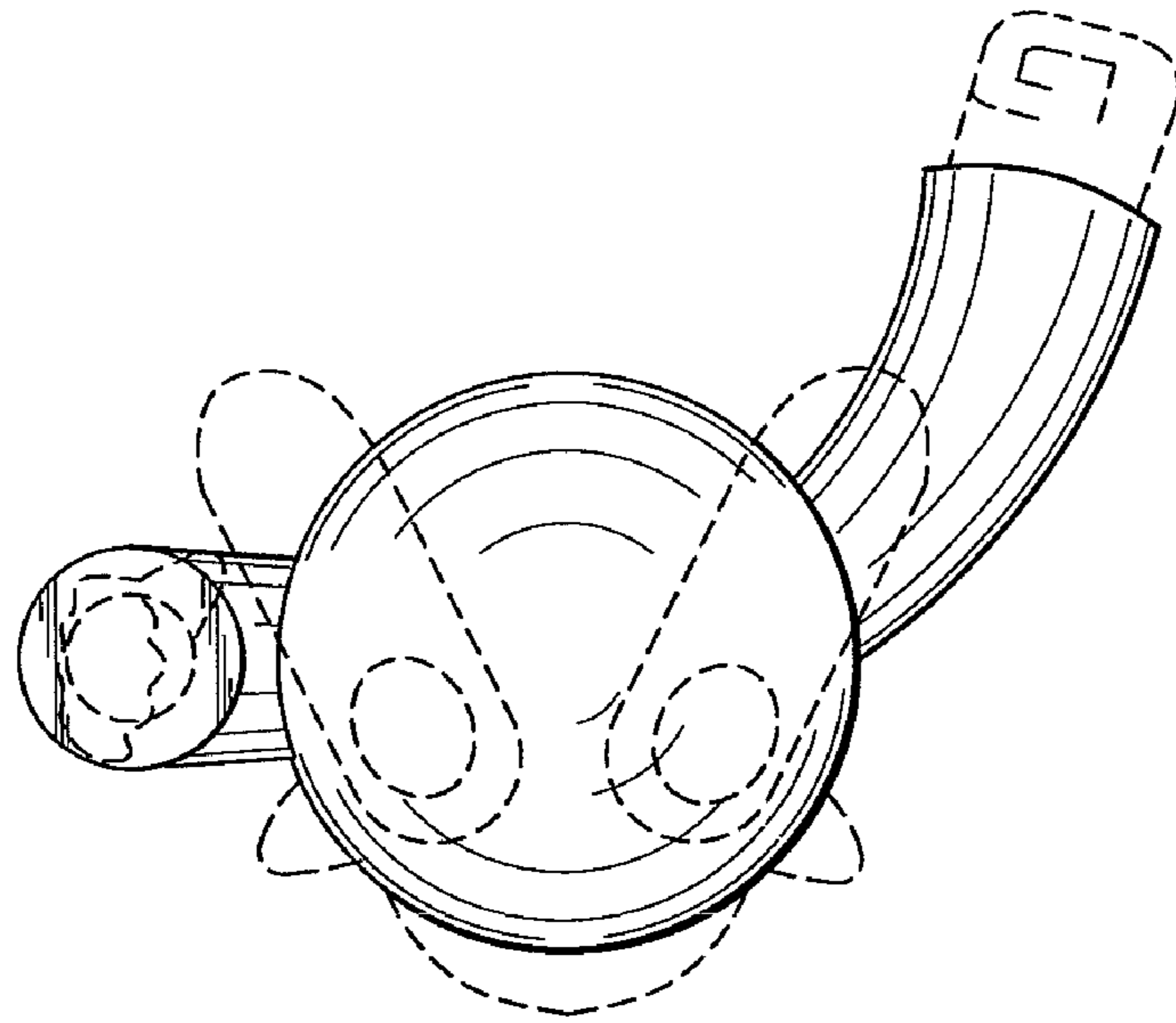


FIG. 13

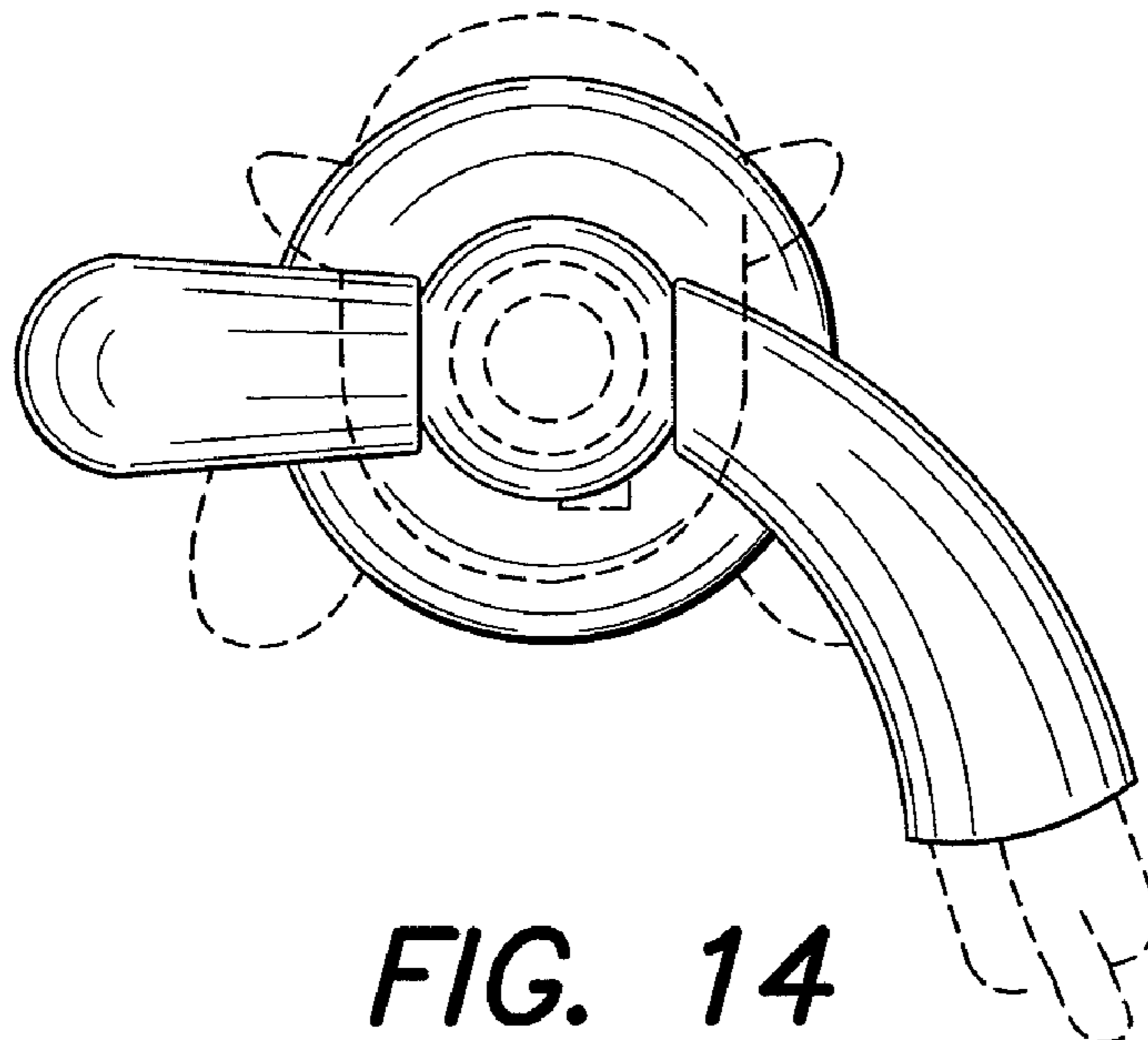


FIG. 14