



US00D657004S

(12) **United States Design Patent**
Bryant

(10) **Patent No.:** **US D657,004 S**
(45) **Date of Patent:** **** Apr. 3, 2012**

(54) **INTERNAL COMPONENT FOR A FOLDABLE TOY BUILDING**

(75) Inventor: **Nicholas J. Bryant**, Caulfield South (AU)

(73) Assignee: **Hinkler Books Pty Ltd**, Heatherton, Victoria (AU)

(**) Term: **14 Years**

(21) Appl. No.: **29/397,834**

(22) Filed: **Jul. 21, 2011**

(30) **Foreign Application Priority Data**

Jan. 27, 2011 (AU) 10179/2011

(51) **LOC (9) Cl.** **21-01**

(52) **U.S. Cl.** **D21/506**

(58) **Field of Classification Search** D21/506, D21/509, 511; D25/1, 32; D9/636, 637, D9/640, 433, 456; 434/72, 79, 96, 260; 446/69, 446/75, 110, 476-478, 479; 206/193, 426, 206/427; 229/120.23-120.26, 120.29, 120.31, 229/120.32, 120.38

See application file for complete search history.

(56) **References Cited**

U.S. PATENT DOCUMENTS

D209,686	S	*	12/1967	Fertik	D21/511
D234,075	S	*	1/1975	Clark	D9/456
3,982,684	A	*	9/1976	David	229/120.26
4,120,442	A	*	10/1978	Skaggs	229/120.26
4,164,312	A	*	8/1979	Harned	229/120.38
D256,143	S	*	7/1980	Birnkrant	D21/506
D256,383	S	*	8/1980	Clanton	D21/511
4,225,039	A	*	9/1980	Skaggs	206/193

D298,413	S	*	11/1988	Raudat	D9/456
D312,282	S	*	11/1990	Kelly	D21/506
D329,375	S	*	9/1992	Bergman	D9/759
D333,931	S	*	3/1993	Wein	D6/478
5,316,210	A	*	5/1994	Scullin	229/120.26
D358,095	S	*	5/1995	Weimer	D9/456
D358,096	S	*	5/1995	Weimer	D9/456
5,423,709	A	*	6/1995	Summers	446/478
5,482,490	A	*	1/1996	Weldon-Ming	446/75
6,607,421	B1	*	8/2003	Rossi	446/478
D613,164	S	*	4/2010	Lee	D9/456

* cited by examiner

Primary Examiner — Cynthia M Chin

(74) *Attorney, Agent, or Firm* — Frost Brown Todd LLC

(57) **CLAIM**

The ornamental design for a internal component for a foldable toy building, as shown and described.

DESCRIPTION

FIG. 1 is a top perspective view of a internal component for a foldable toy building, showing my new design in an assembled configuration;

FIG. 2 is a front elevational view thereof in the assembled configuration;

FIG. 3 is a back elevational view thereof in the assembled configuration;

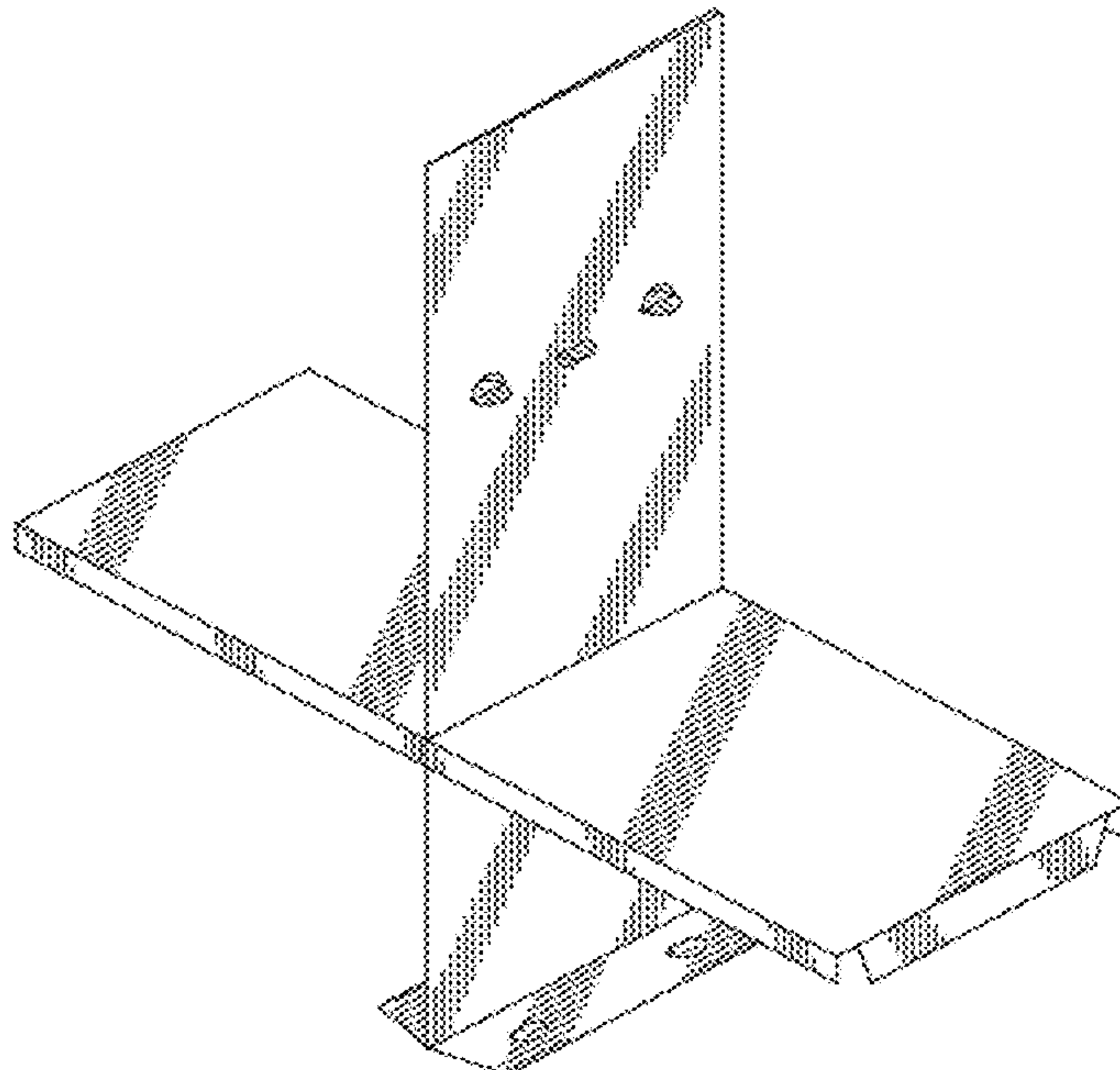
FIG. 4 is a left elevational view thereof in the assembled configuration, the right elevational view being a mirror image thereof;

FIG. 5 is a top plan view thereof in the assembled configuration;

FIG. 6 is a bottom plan view thereof in the assembled configuration; and,

FIG. 7 is a top plan view thereof, in a flat, unassembled configuration.

1 Claim, 6 Drawing Sheets



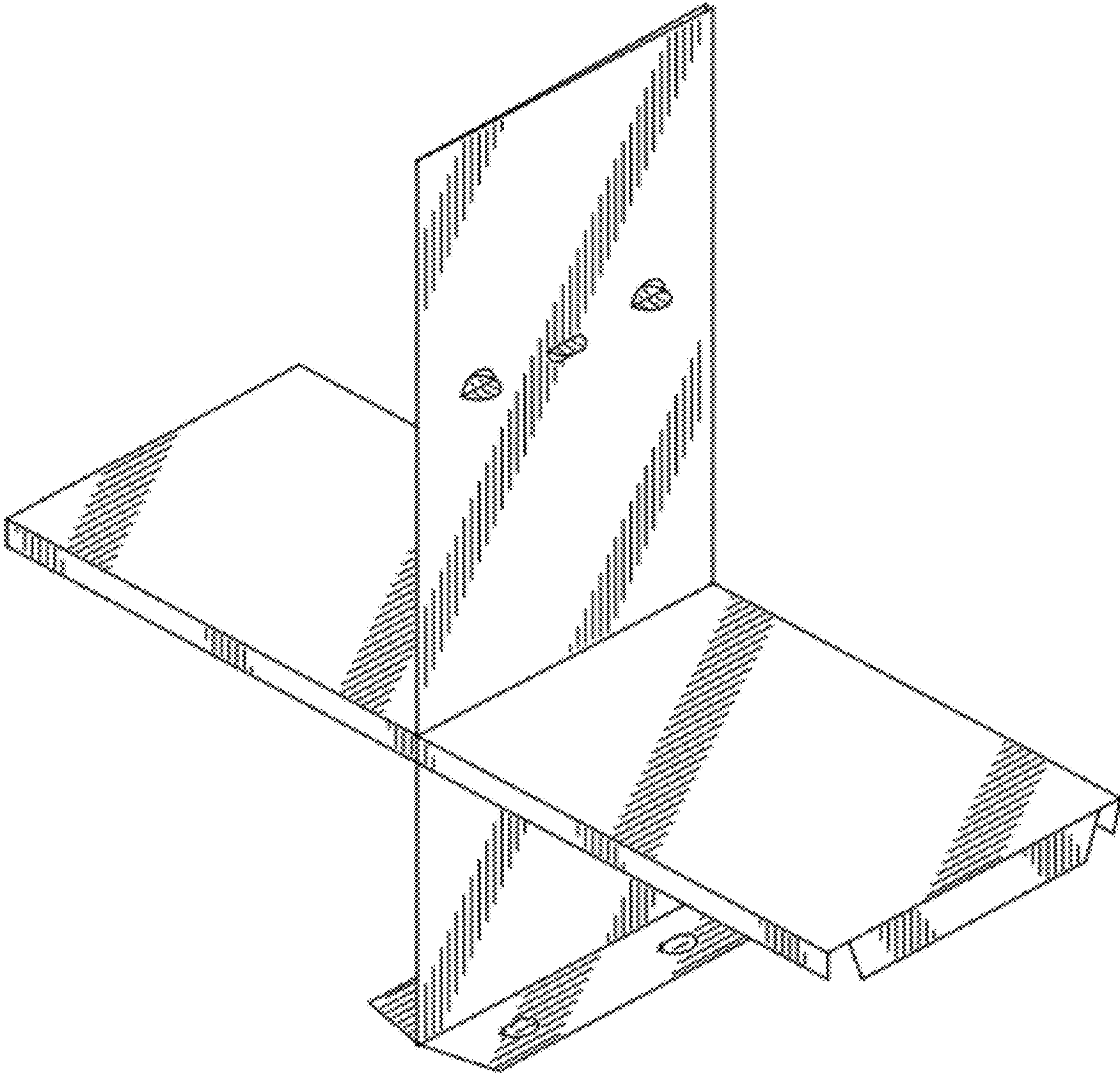


FIG. 1

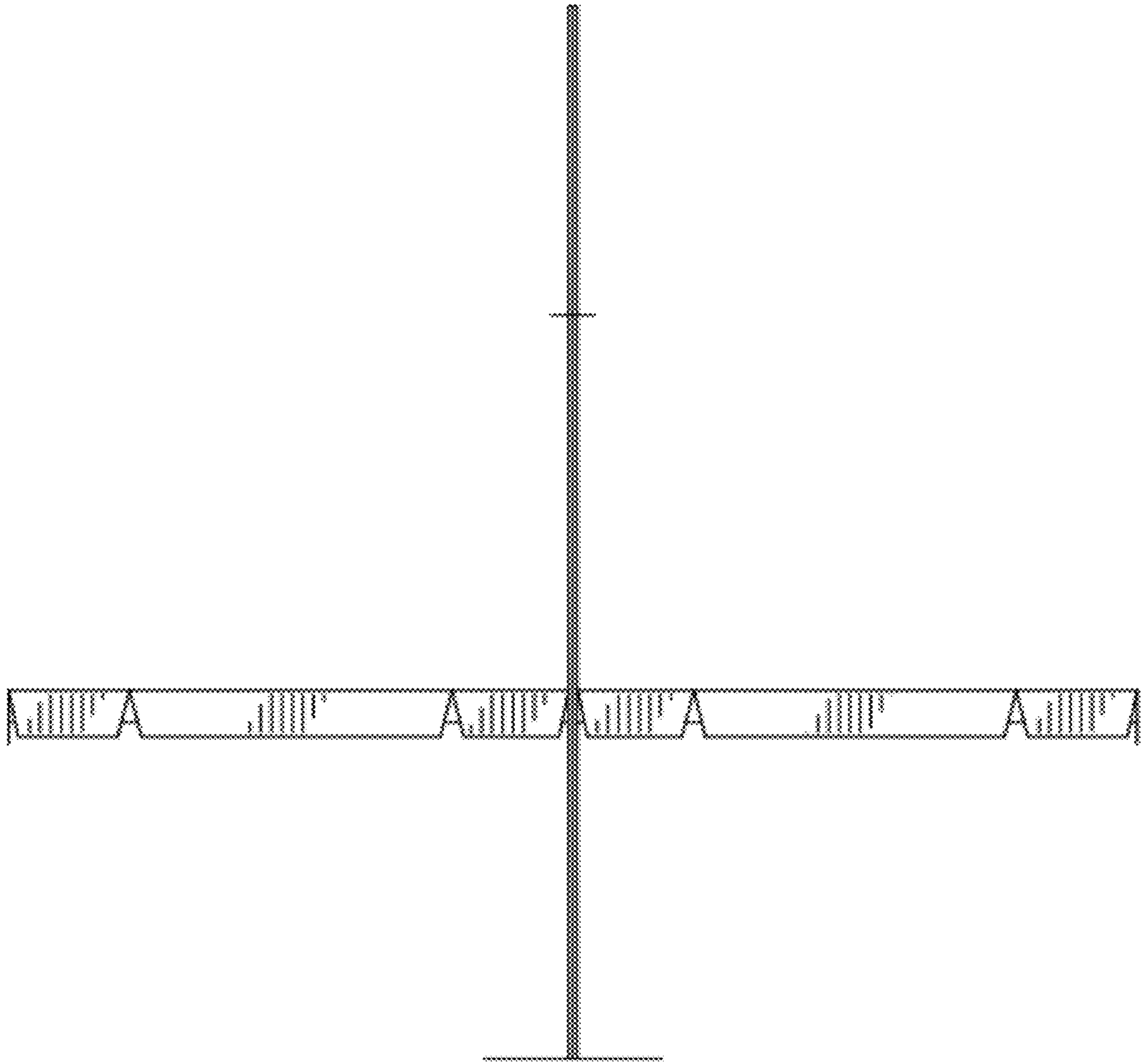


FIG. 2

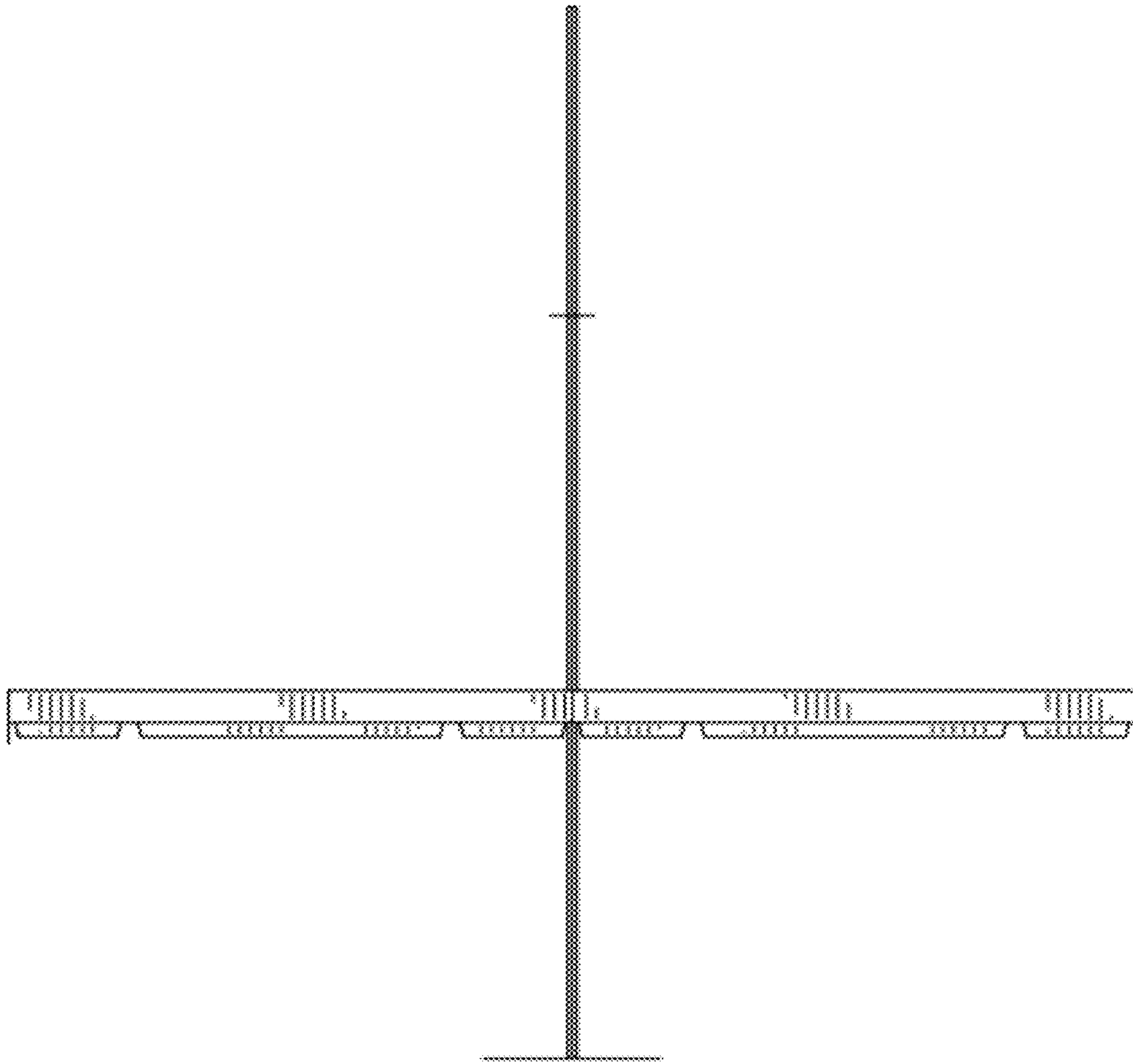


FIG. 3

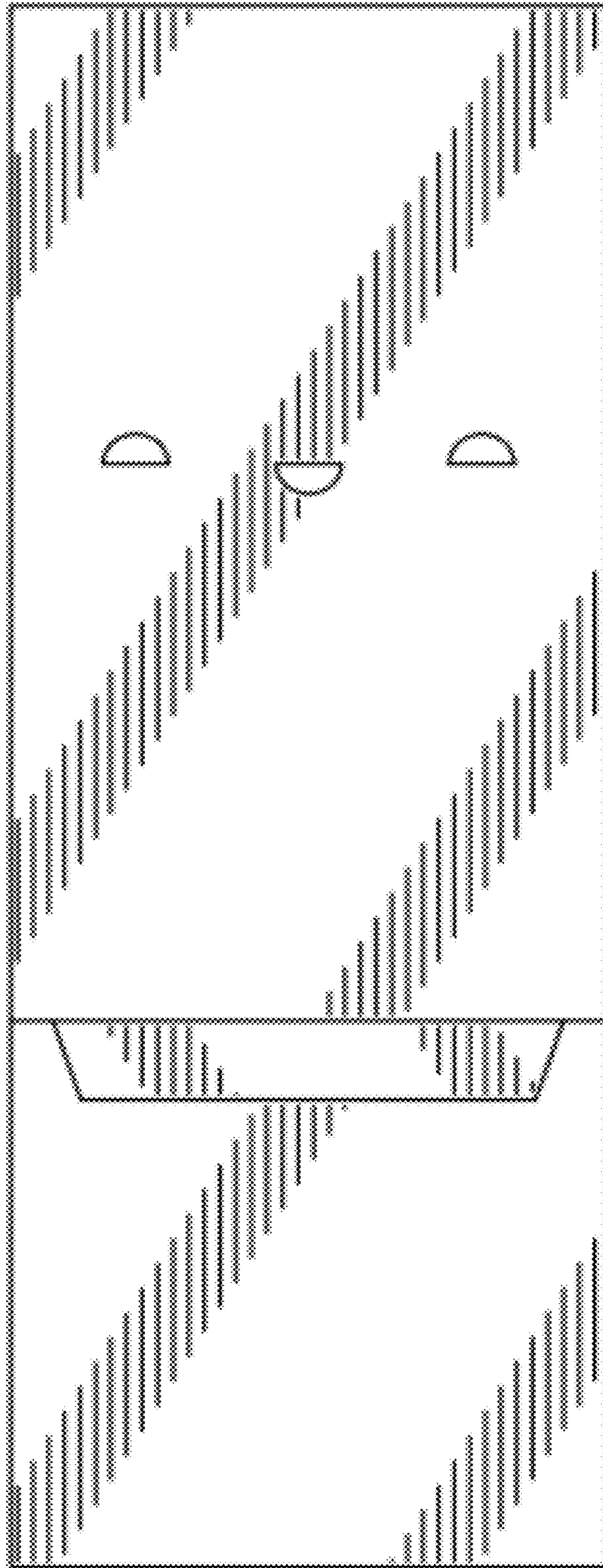


FIG. 4

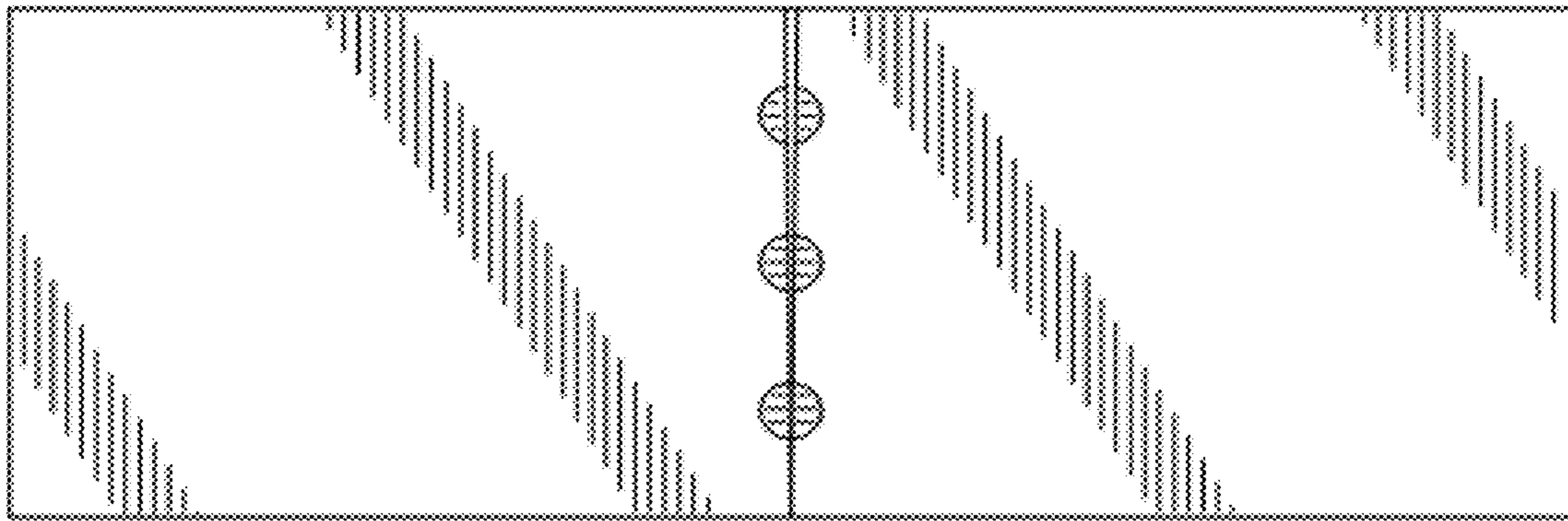


FIG. 5

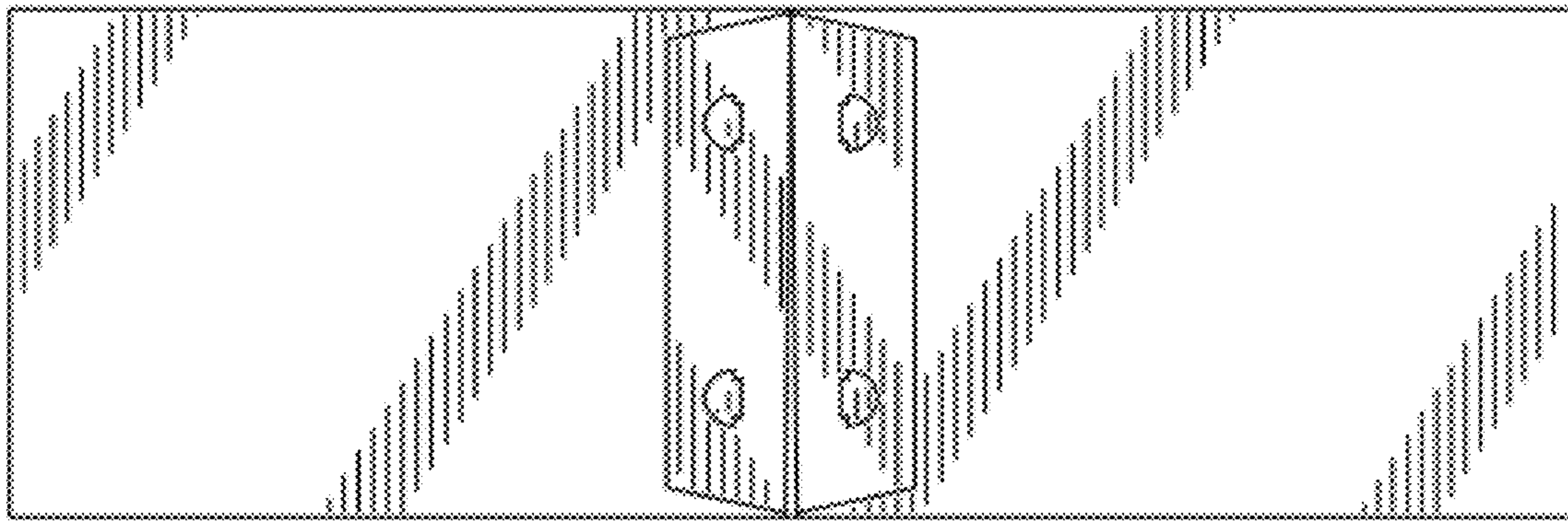


FIG. 6

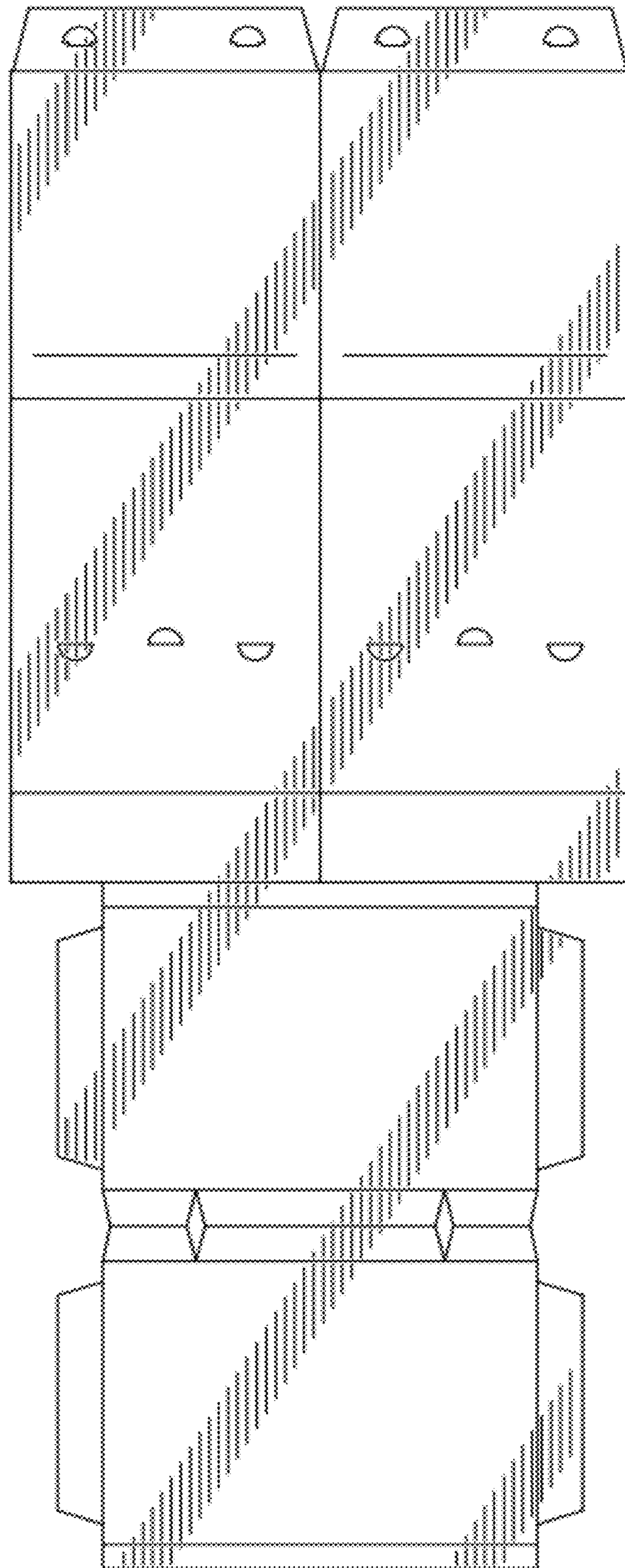


FIG. 7