



US00D656989S

(12) **United States Design Patent**
Briggl

(10) **Patent No.:** **US D656,989 S**

(45) **Date of Patent:** **** Apr. 3, 2012**

- (54) **PEN**
- (75) Inventor: **Hariolf Briggl**, Bobingen (DE)
- (73) Assignee: **Klio-Eterna Schreibgerate GmbH & Co. KG**, Wolfach (DE)
- (**) Term: **14 Years**
- (21) Appl. No.: **29/385,412**
- (22) Filed: **Feb. 14, 2011**
- (30) **Foreign Application Priority Data**
 - Aug. 12, 2010 (EM) 561685701
- (51) **LOC (9) Cl.** **19-06**
- (52) **U.S. Cl.** **D19/36**
- (58) **Field of Classification Search** D19/35,
D19/36, 41-51, 54-58; D14/411, 480.3,
D14/480.5; 24/11 F, 11 P, 11 R; 401/52,
401/99, 100, 104-109, 192, 195, 196
See application file for complete search history.

(56) **References Cited**

U.S. PATENT DOCUMENTS

2,039,410	A *	5/1936	Harris	15/432
D122,132	S *	8/1940	Turet et al.	D11/201
3,709,620	A *	1/1973	Miyamoto	401/195
D238,359	S *	1/1976	Zepell	D19/46
D252,690	S *	8/1979	Wong	D19/36
D299,470	S *	1/1989	Mock	D19/43
D308,075	S *	5/1990	Yazaki	D19/43
D342,088	S *	12/1993	Sonntag et al.	D19/48
D351,562	S *	10/1994	Moffatt et al.	D10/78
D436,879	S *	1/2001	Deguchi et al.	D10/104.1
D471,828	S *	3/2003	Huang	D10/78
D490,849	S *	6/2004	Katami	D19/49
D497,616	S *	10/2004	Ma et al.	D14/480.2
D501,415	S *	2/2005	Seymour	D10/78

D502,216	S *	2/2005	Chen	D19/36
6,905,352	B2 *	6/2005	Chao	439/135
D521,509	S *	5/2006	Chen	D14/480.5
D527,477	S *	8/2006	Chen	D26/37
D537,181	S *	2/2007	Chen et al.	D26/37
D545,896	S *	7/2007	Qiu	D19/36
D552,681	S *	10/2007	Koch	D19/51
D562,384	S *	2/2008	Qiu	D19/36
D562,896	S *	2/2008	Delaney	D19/51
D566,707	S *	4/2008	Patton et al.	D14/480.2
D579,045	S *	10/2008	Allemand	D19/45
D579,046	S *	10/2008	Allemand	D19/47
D580,491	S *	11/2008	Fei	D19/48
D596,228	S *	7/2009	Koch	D19/41
D615,587	S *	5/2010	Wang	D19/36
D624,081	S *	9/2010	Nousiainen	D14/411
D624,123	S *	9/2010	Huang	D19/36
2007/0231053	A1 *	10/2007	Chan	401/195

* cited by examiner

Primary Examiner — Elizabeth Albert

(74) *Attorney, Agent, or Firm* — Volpe and Koenig, P.C.

(57) **CLAIM**

The ornamental design for a pen, as shown and described.

DESCRIPTION

FIG. 1 is a top, front, left perspective view of a pen in accordance with my design;

FIG. 2 is a top, rear, right perspective view thereof;

FIG. 3 is a front elevational view thereof;

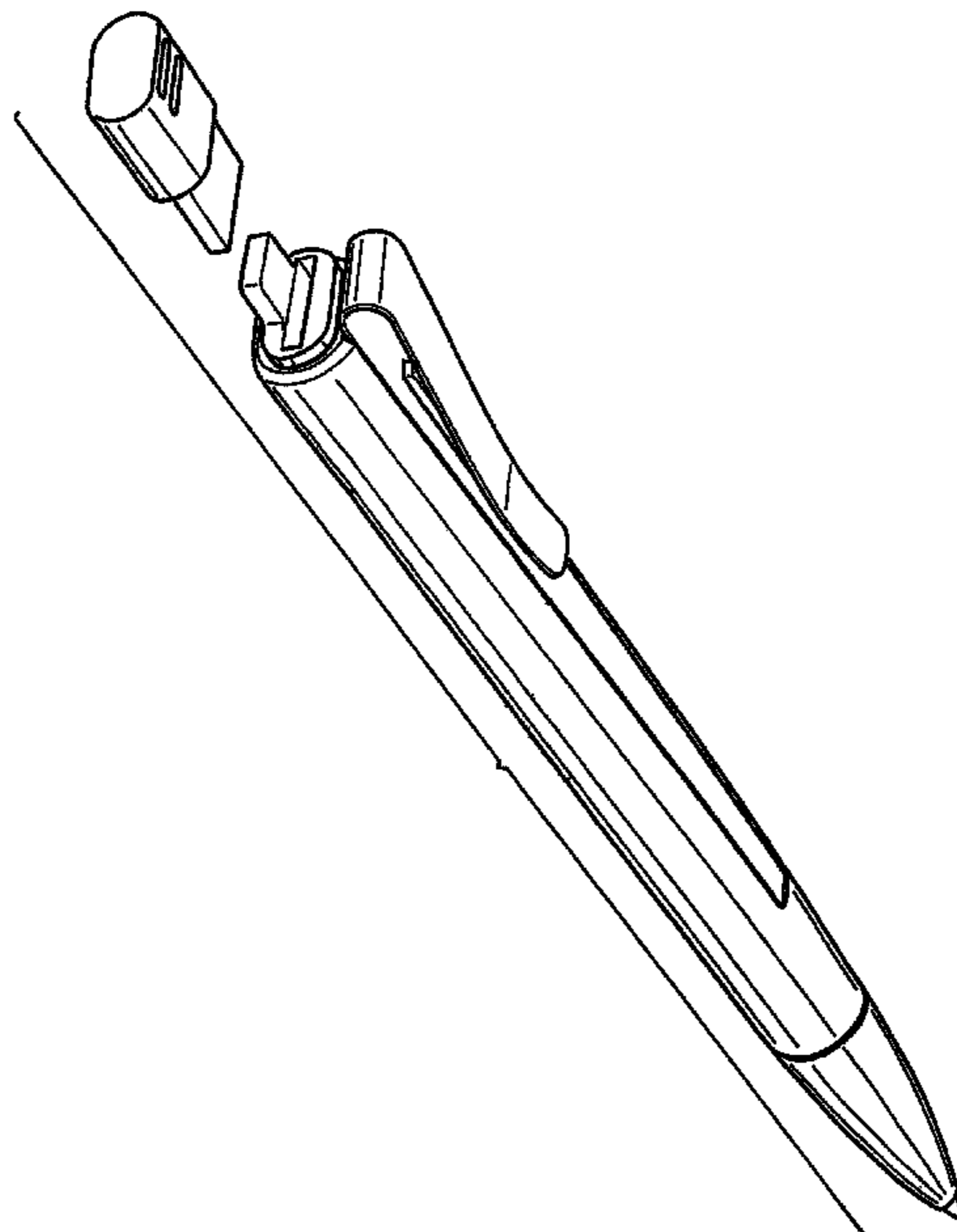
FIG. 4 is a right side elevational view thereof, with the left side elevational view being a mirror image thereof;

FIG. 5 is a rear elevational view thereof;

FIG. 6 is a top, front, left perspective view taken from the same direction as FIG. 1 showing the two parts of the design separated for clarity; and,

FIG. 7 is a top, right, rear perspective view showing the two parts of the design separated for clarity.

1 Claim, 5 Drawing Sheets



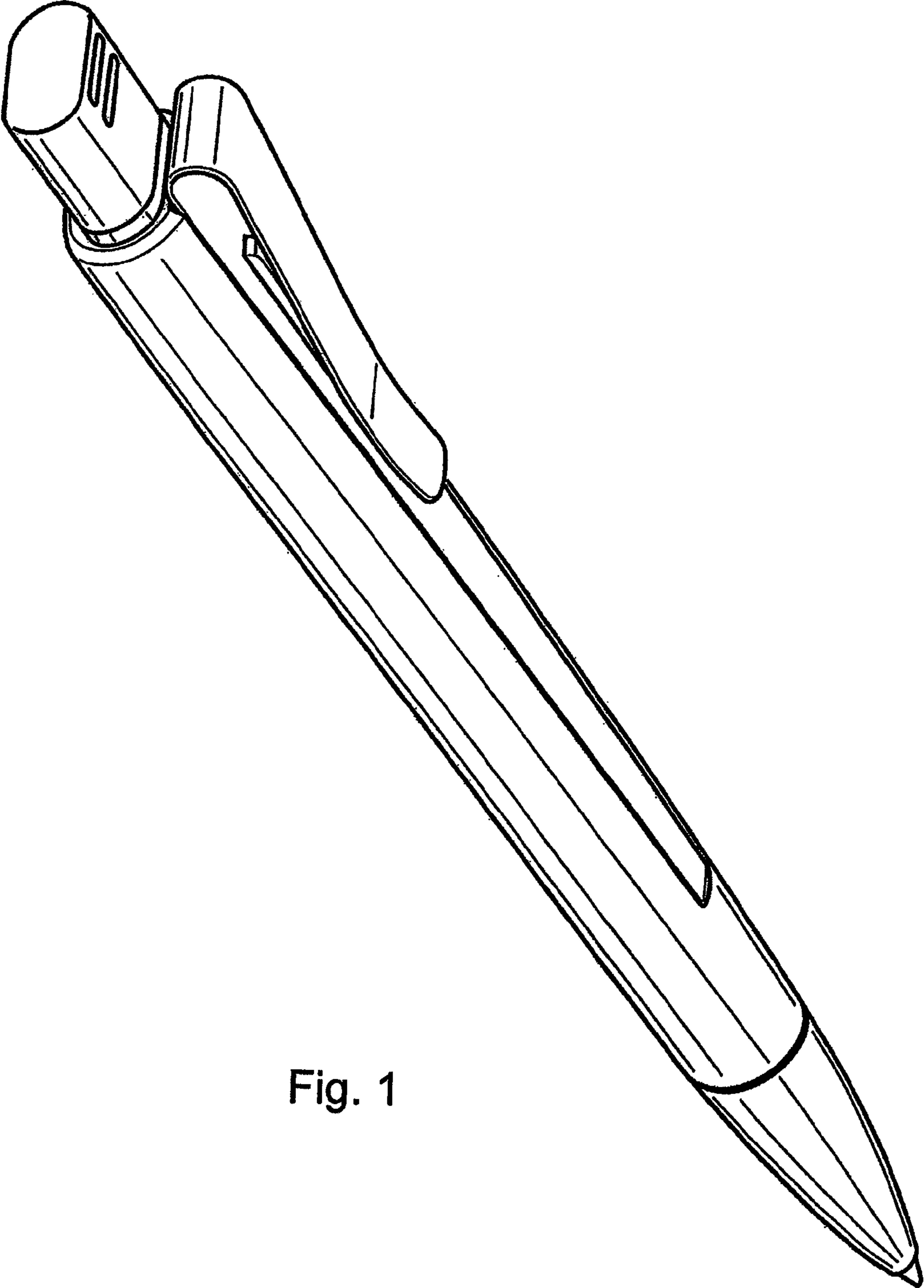


Fig. 1

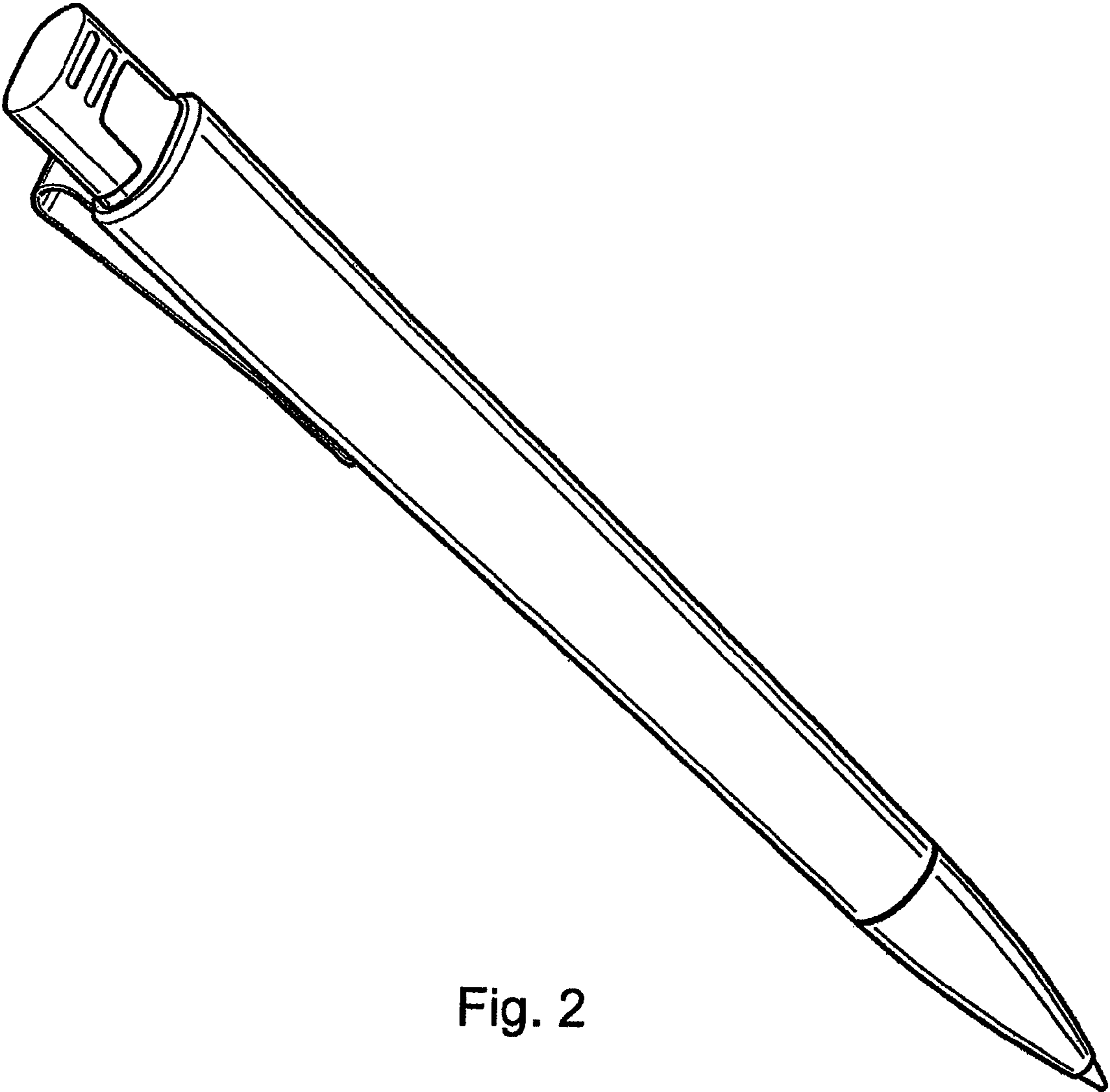


Fig. 2

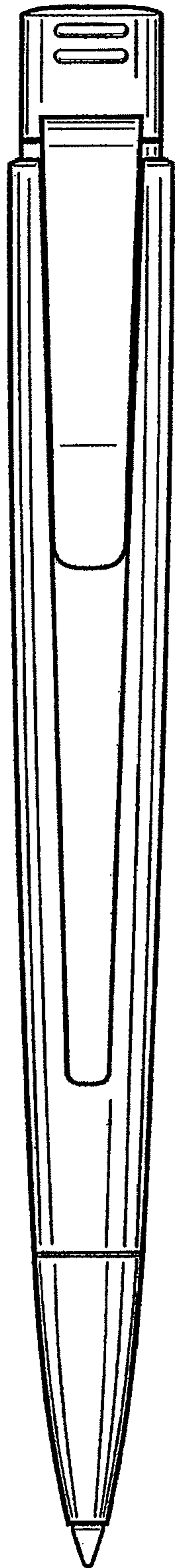


Fig. 3

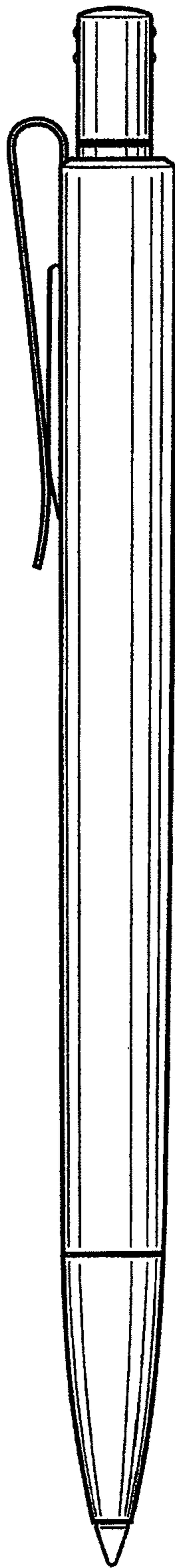


Fig. 4

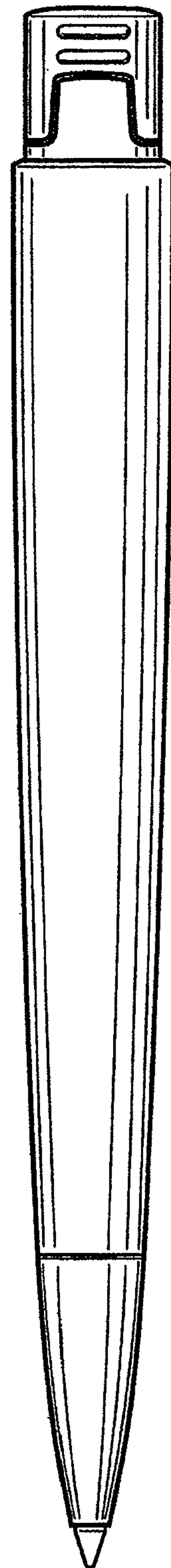


Fig. 5

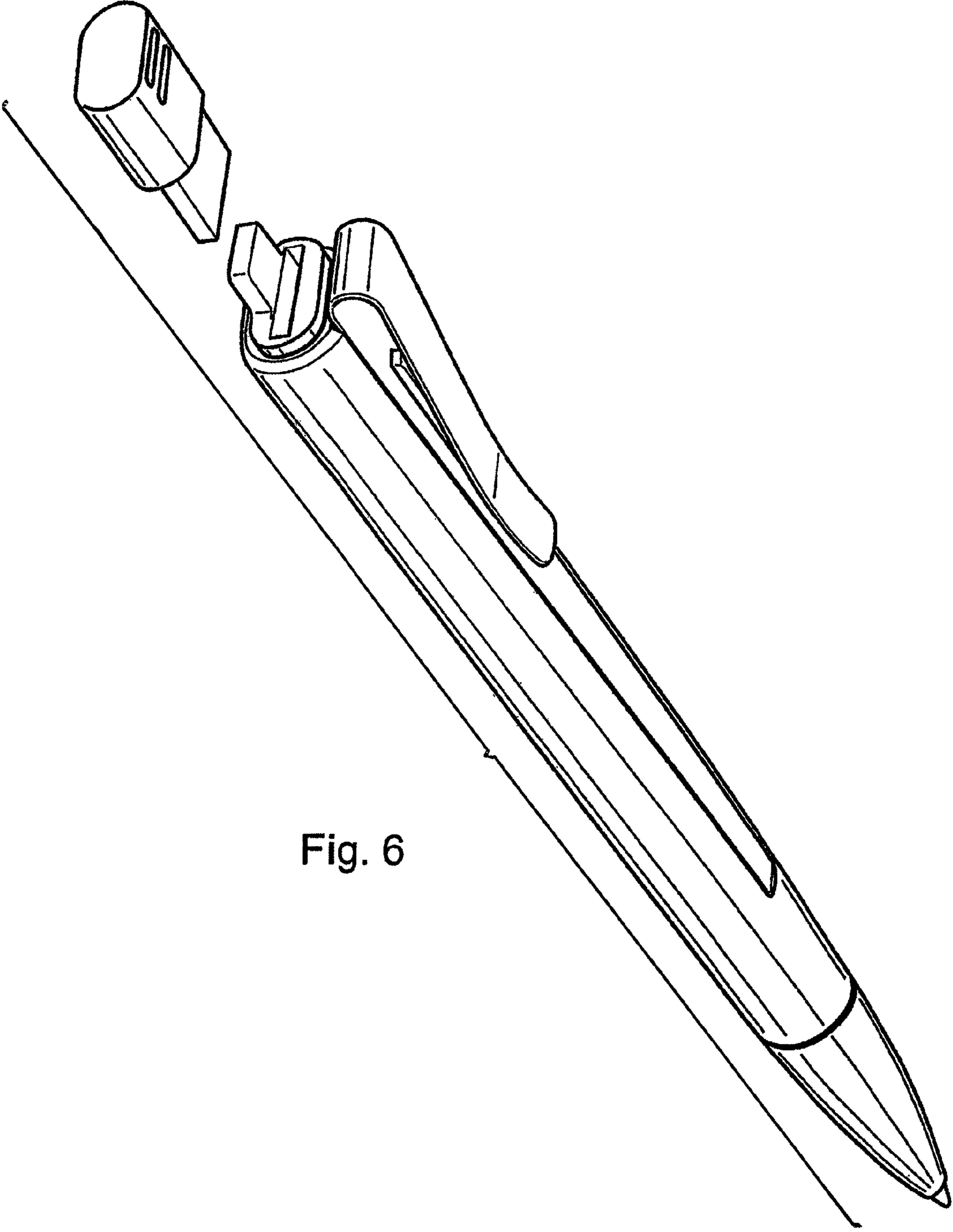


Fig. 6

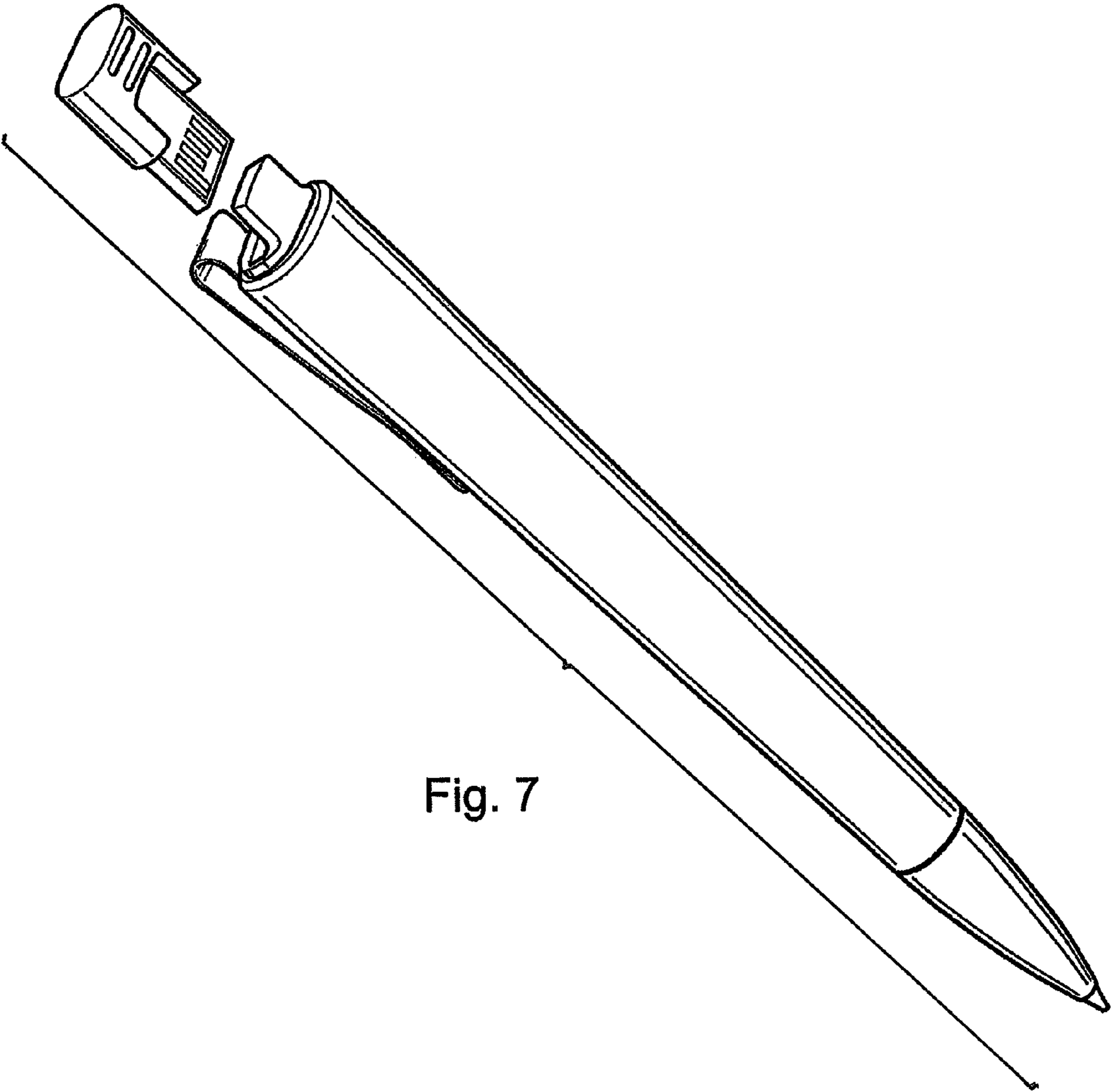


Fig. 7