



US00D656988S

(12) **United States Design Patent**
Alva

(10) **Patent No.:** **US D656,988 S**

(45) **Date of Patent:** **** Apr. 3, 2012**

(54) **BOOKMARK**

(76) **Inventor:** **Peggy Alva, San Antonio, TX (US)**

(**) **Term:** **14 Years**

(21) **Appl. No.:** **29/375,294**

(22) **Filed:** **Sep. 20, 2010**

(51) **LOC (9) Cl.** **19-99**

(52) **U.S. Cl.** **D19/34**

(58) **Field of Classification Search** D19/1,
D19/2, 26-34, 65, 86, 91; D11/7, 78.1, 79,
D11/223; 281/30, 42, 45, 48; 116/234-240;
24/67 R; 40/124.01, 658, 666; D12/202;
D9/600; D8/394

See application file for complete search history.

(56) **References Cited**

U.S. PATENT DOCUMENTS

308,942	A *	12/1884	Yewell	281/37
345,660	A *	7/1886	Ashworth	2/339
1,596,118	A *	8/1926	Plume	281/42
D85,153	S *	9/1931	Bergmam	D19/34
3,898,951	A *	8/1975	Clare	116/239
4,041,892	A *	8/1977	Nichols	116/239
4,162,800	A *	7/1979	Gonot et al.	281/42
4,507,830	A *	4/1985	Dahan	24/527
D346,399	S *	4/1994	Schad et al.	D19/34
5,458,081	A *	10/1995	Reichert	116/234
D418,774	S *	1/2000	Kalbach	D11/7
D424,108	S *	5/2000	Mitcham	D19/34
6,557,376	B2 *	5/2003	Pratt	63/3
7,004,106	B1 *	2/2006	Forance	116/238
D517,604	S *	3/2006	Rowe	D19/34
D560,720	S *	1/2008	Madden	D19/34

D569,427	S *	5/2008	Lundvall	D19/34
7,823,528	B2 *	11/2010	Stevens	116/234
D643,323	S *	8/2011	Bulgari	D11/7
2003/0230229	A1 *	12/2003	Monroe	116/234
2005/0172886	A1 *	8/2005	Marcus	116/238
2005/0232567	A1 *	10/2005	Reagan et al.	385/135

* cited by examiner

Primary Examiner — T. Chase Nelson

Assistant Examiner — Kathleen M Sims

(74) *Attorney, Agent, or Firm* — QuickPatents, Inc.; Kevin Prince

(57) **CLAIM**

What is claimed is the ornamental design for a bookmark, as shown and described.

DESCRIPTION

FIG. 1 is a perspective view of a bookmark, showing the new design;

FIG. 2 is a front elevational view thereof, a loop portion thereof partially omitted for clarity of illustration;

FIG. 3 is a rear elevational view thereof, a loop portion thereof partially omitted for clarity of illustration;

FIG. 4 is a left-side elevational view thereof, a loop portion thereof partially omitted for clarity of illustration,

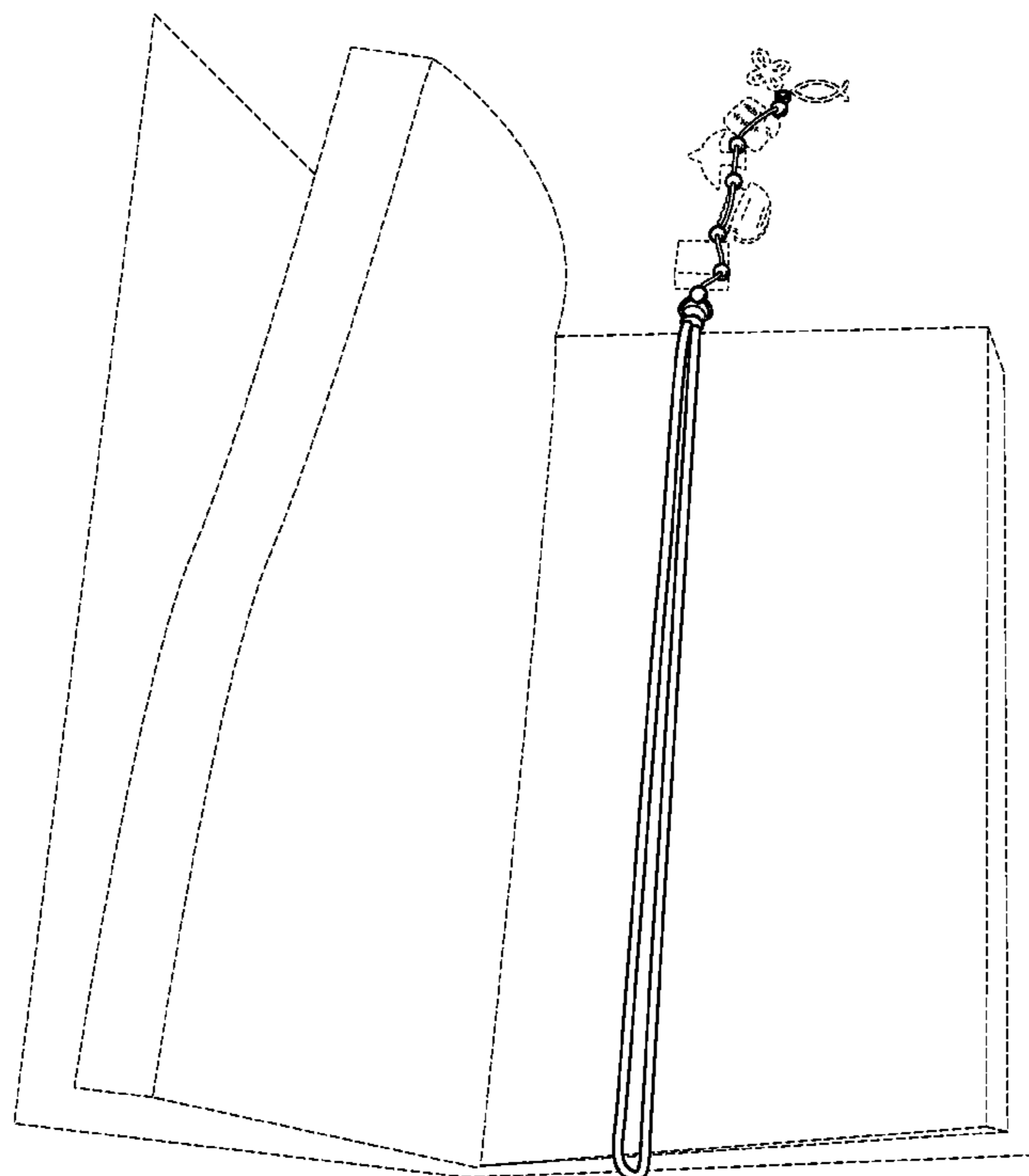
FIG. 5 is a right-side elevational view thereof, a loop portion thereof partially omitted for clarity of illustration;

FIG. 6 is a top plan view thereof; and,

FIG. 7 is a bottom plan view thereof.

The broken lines showing beads and charms in FIGS. 1-7 and a book in FIG. 1 are included for the purpose of illustrating the invention in use, and form no part of the claimed design.

1 Claim, 3 Drawing Sheets



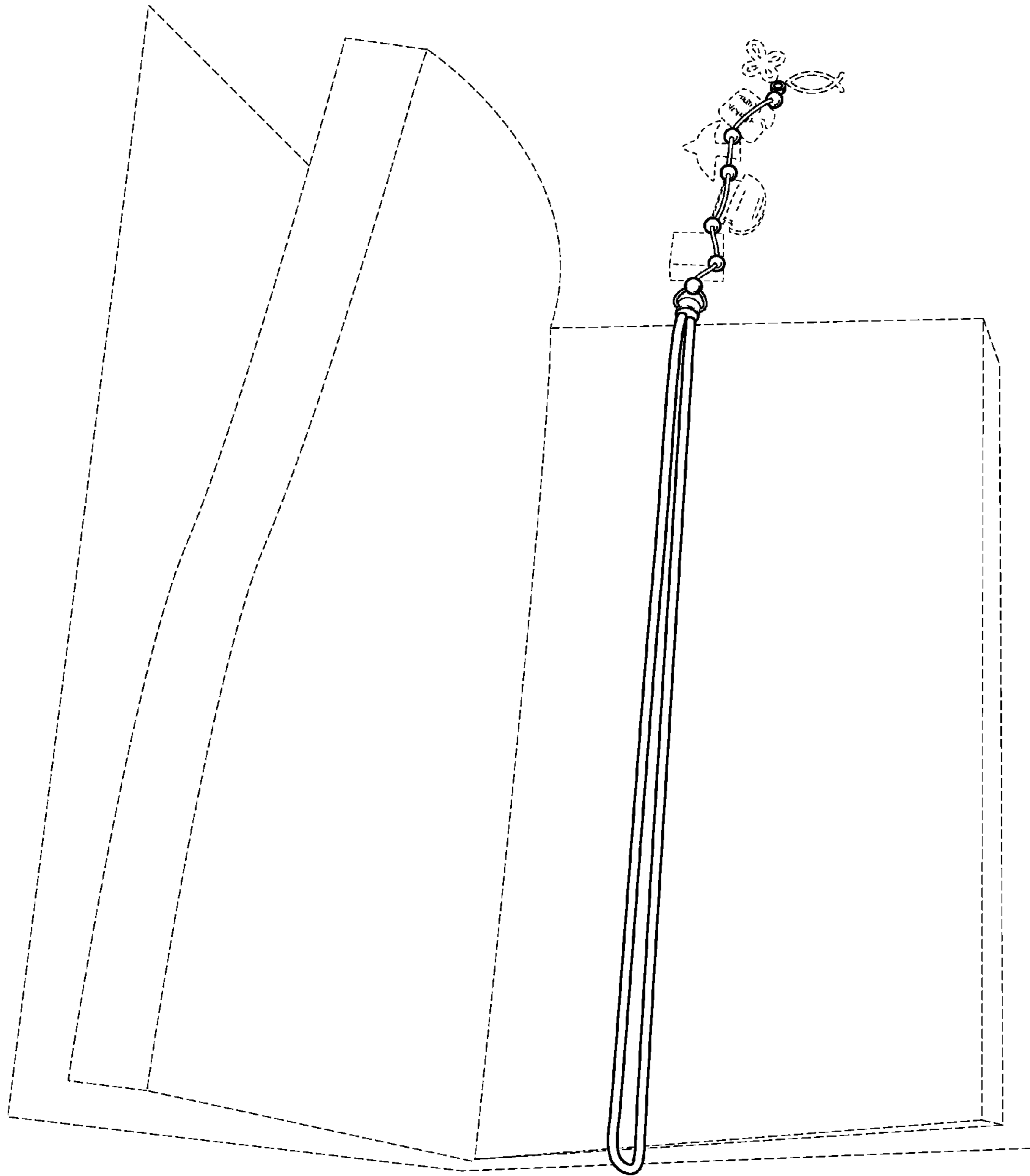


FIG. 1

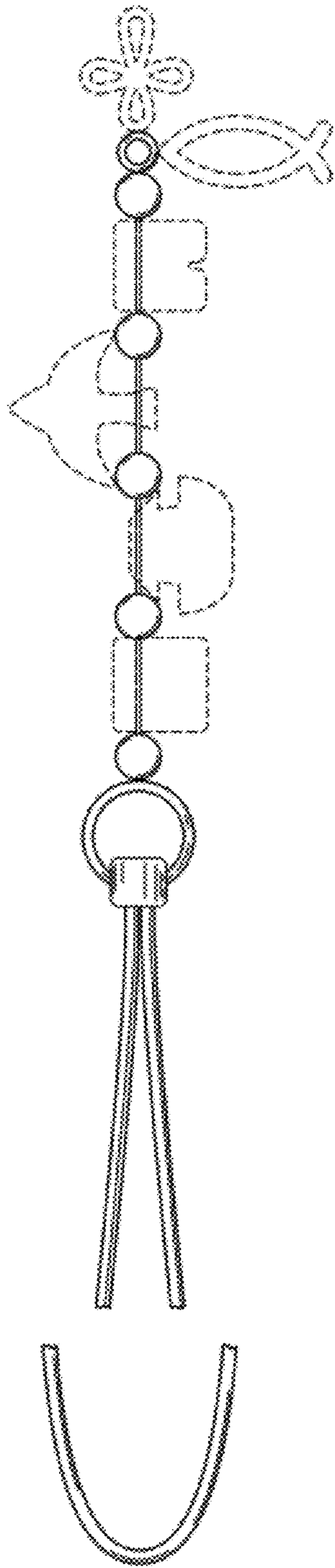


FIG. 2

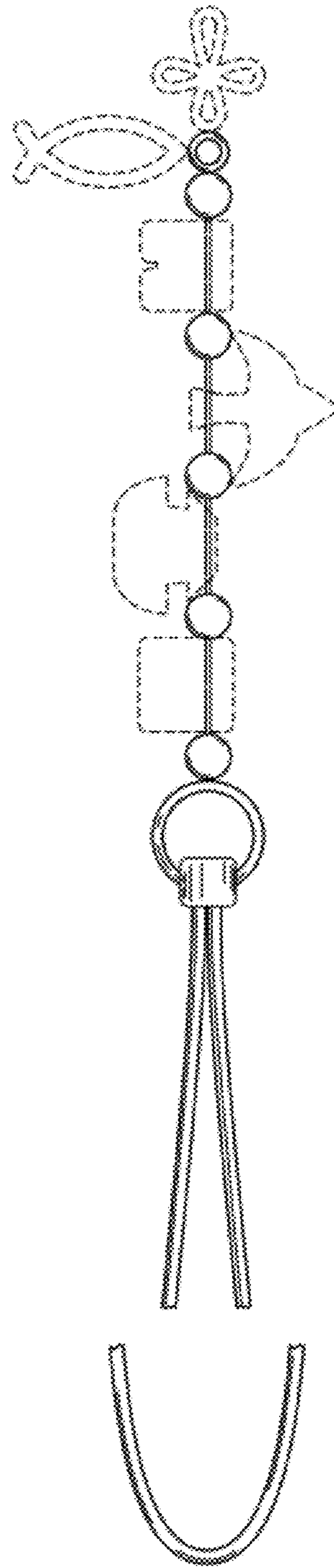


FIG. 3



FIG. 4

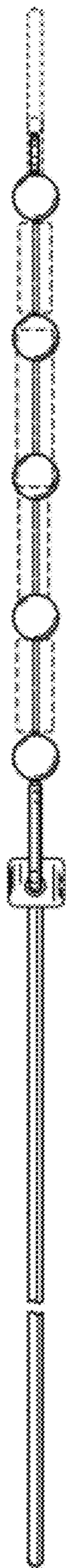


FIG. 5

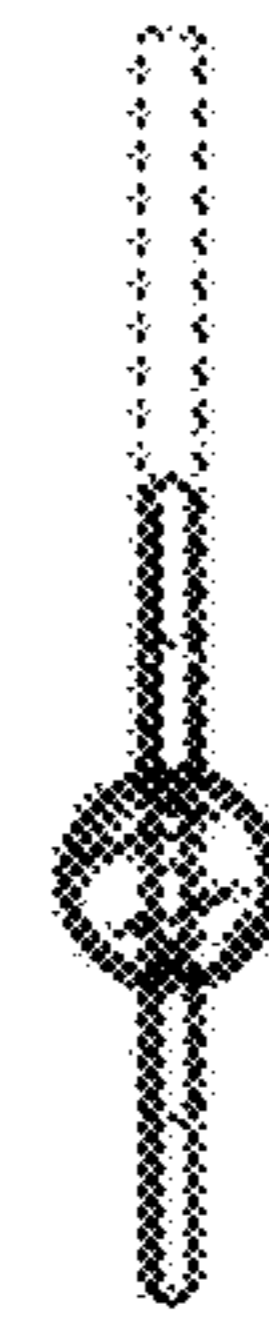


FIG. 6

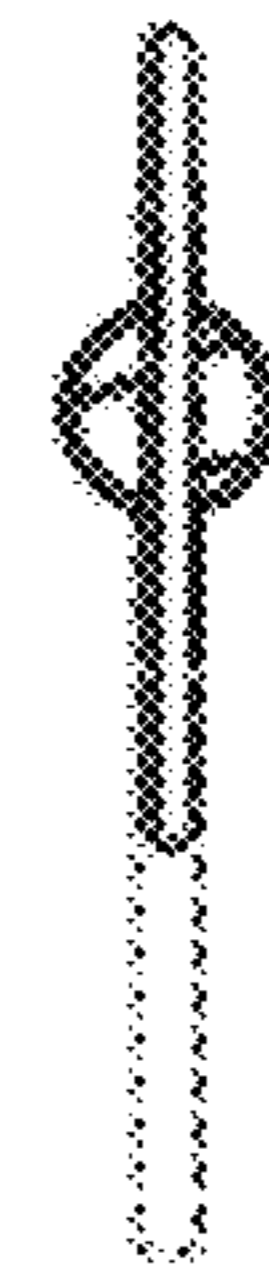


FIG. 7