



US00D656986S

(12) **United States Design Patent**
Kanbe et al.

(10) **Patent No.:** **US D656,986 S**

(45) **Date of Patent:** **** Apr. 3, 2012**

(54) **INK CARTRIDGE**

(75) Inventors: **Tomohiro Kanbe**, Nagoya (JP); **Yuki Takagi**, Nagoya (JP); **Hirotake Nakamura**, Nagoya (JP)

(73) Assignee: **Brother Industries, Ltd.**, Nagoya (JP)

(**) Term: **14 Years**

(21) Appl. No.: **29/381,079**

(22) Filed: **Dec. 15, 2010**

(30) **Foreign Application Priority Data**

Jun. 17, 2010 (JP) 2010-14838

(51) **LOC (9) Cl.** **18-02**

(52) **U.S. Cl.** **D18/56**

(58) **Field of Classification Search** D18/56;
347/86-87

See application file for complete search history.

(56) **References Cited**

U.S. PATENT DOCUMENTS

| | | | | |
|----------------|---------|----------------|-------|--------|
| D465,516 S * | 11/2002 | Shinada et al. | | D18/56 |
| D536,374 S * | 2/2007 | Shinada et al. | | D18/56 |
| D540,857 S * | 4/2007 | Hattori | | D18/56 |
| D541,337 S * | 4/2007 | Hattori | | D18/56 |
| D542,343 S * | 5/2007 | Hattori et al. | | D18/56 |
| 7,416,291 B1 * | 8/2008 | Hattori et al. | | 347/86 |

| | | | | |
|-------------------|---------|----------------|-------|--------|
| 7,682,007 B2 * | 3/2010 | Sasaki | | 347/86 |
| 7,918,548 B2 * | 4/2011 | Hattori et al. | | 347/86 |
| D641,400 S * | 7/2011 | Hattori | | D18/56 |
| 2007/0229615 A1 * | 10/2007 | Hattori et al. | | 347/86 |
| 2007/0229616 A1 * | 10/2007 | Sasaki | | 347/86 |
| 2008/0239035 A1 * | 10/2008 | Hattori et al. | | 347/86 |
| 2008/0291251 A1 * | 11/2008 | Hattori | | 347/86 |

* cited by examiner

Primary Examiner — Cathy A MacCormac

(74) *Attorney, Agent, or Firm* — Oliff & Berridge, PLC

(57) **CLAIM**

The ornamental design for an ink cartridge, as shown and described.

DESCRIPTION

FIG. 1 is a front, top and left-side perspective view of an ink cartridge;

FIG. 2 is a front view thereof;

FIG. 3 is a top view thereof;

FIG. 4 is a right-side view thereof;

FIG. 5 is a left-side view thereof;

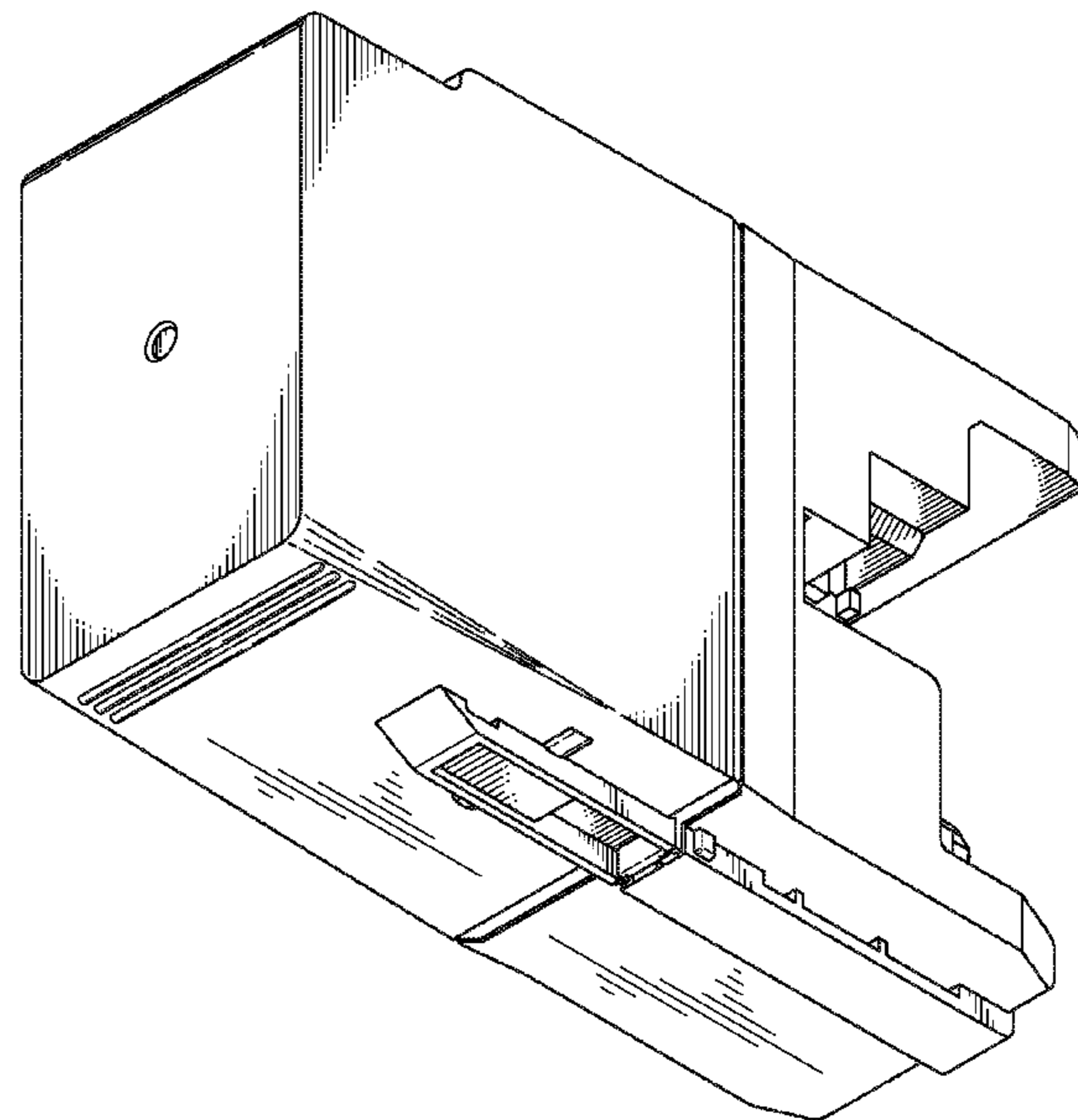
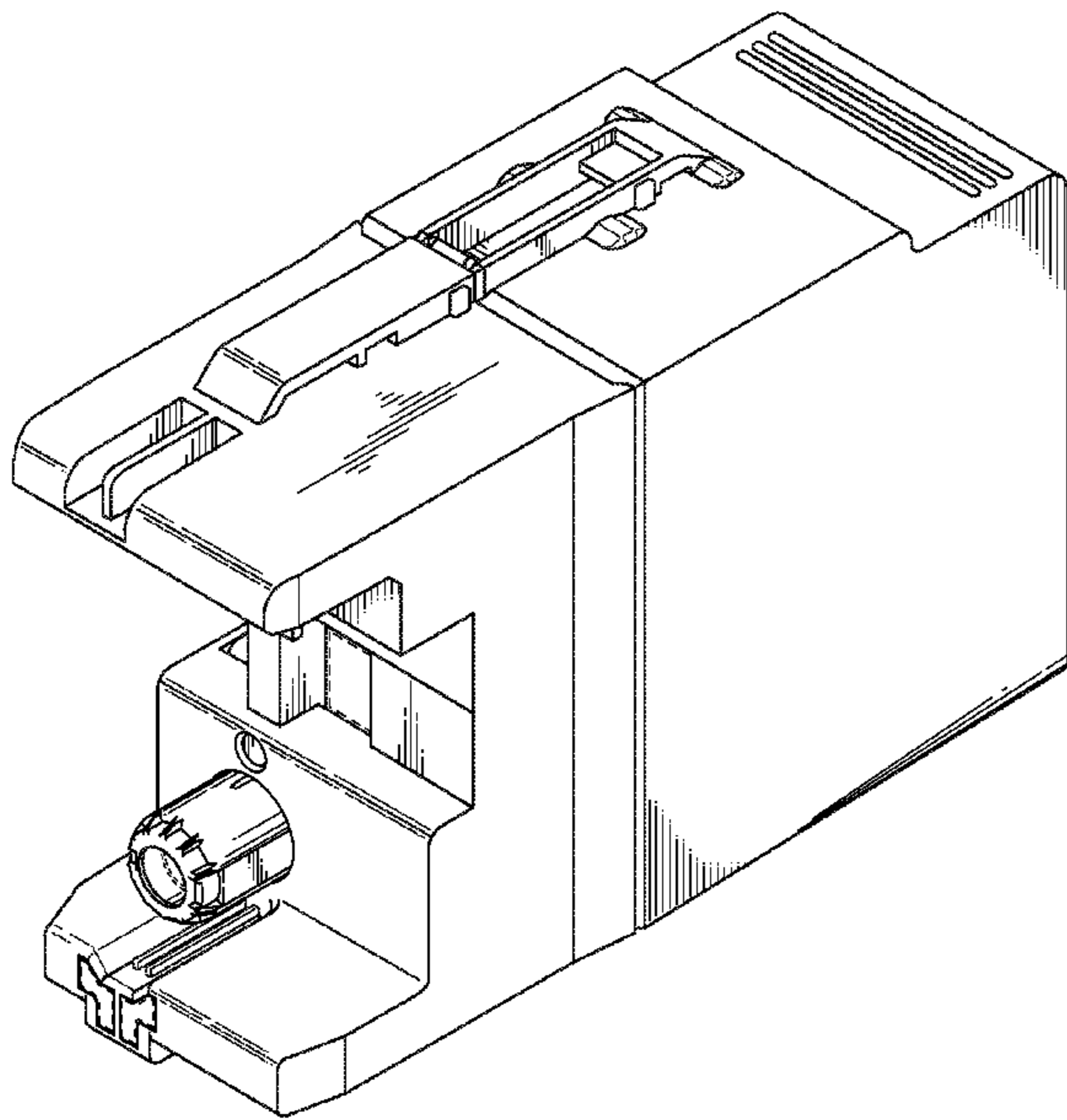
FIG. 6 is a rear view thereof;

FIG. 7 is a bottom view thereof; and,

FIG. 8 is a rear, bottom and right-side perspective view thereof.

The broken lines depict environmental subject matter only and form no part of the claimed design.

1 Claim, 7 Drawing Sheets



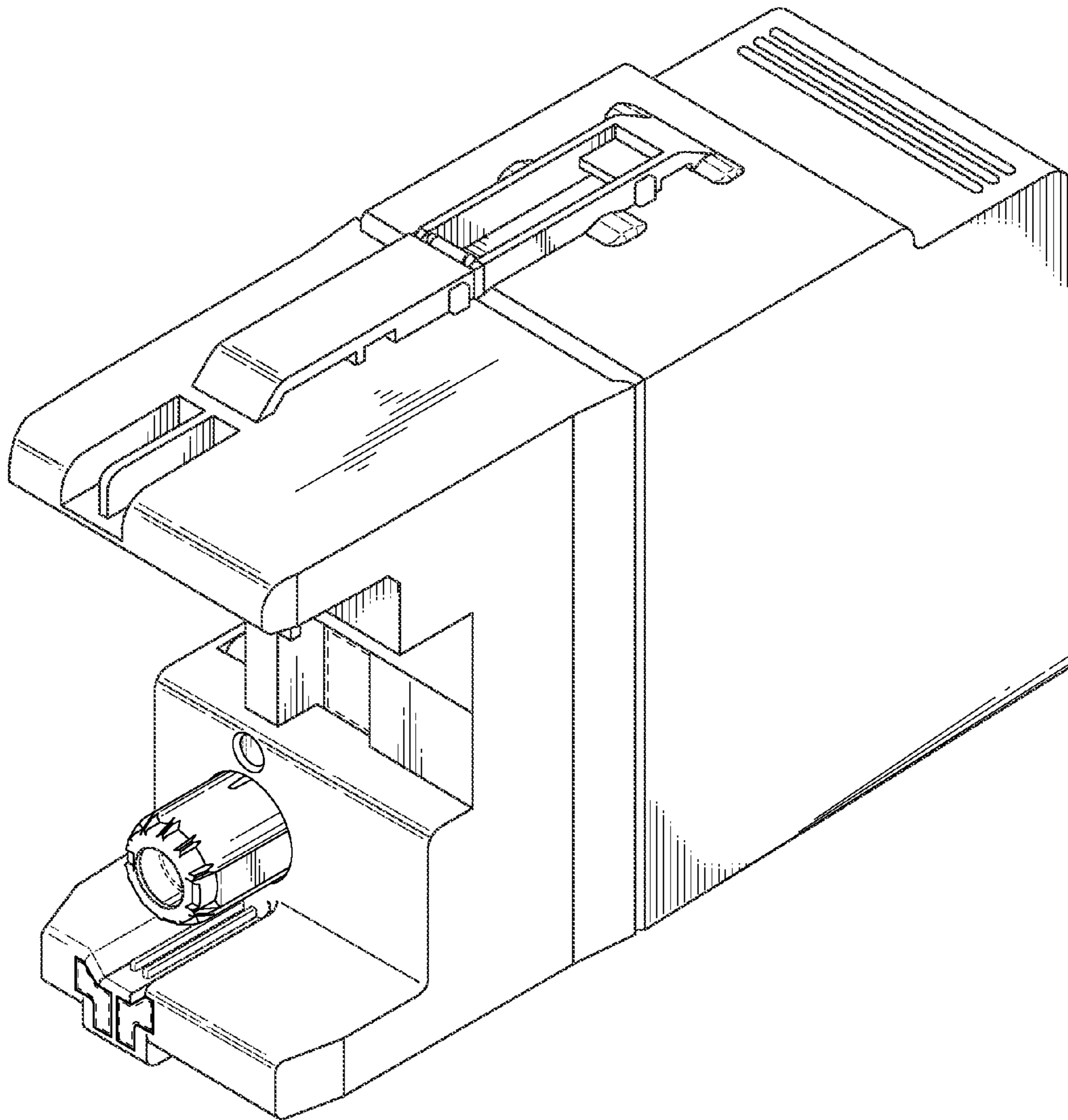


FIG. 1

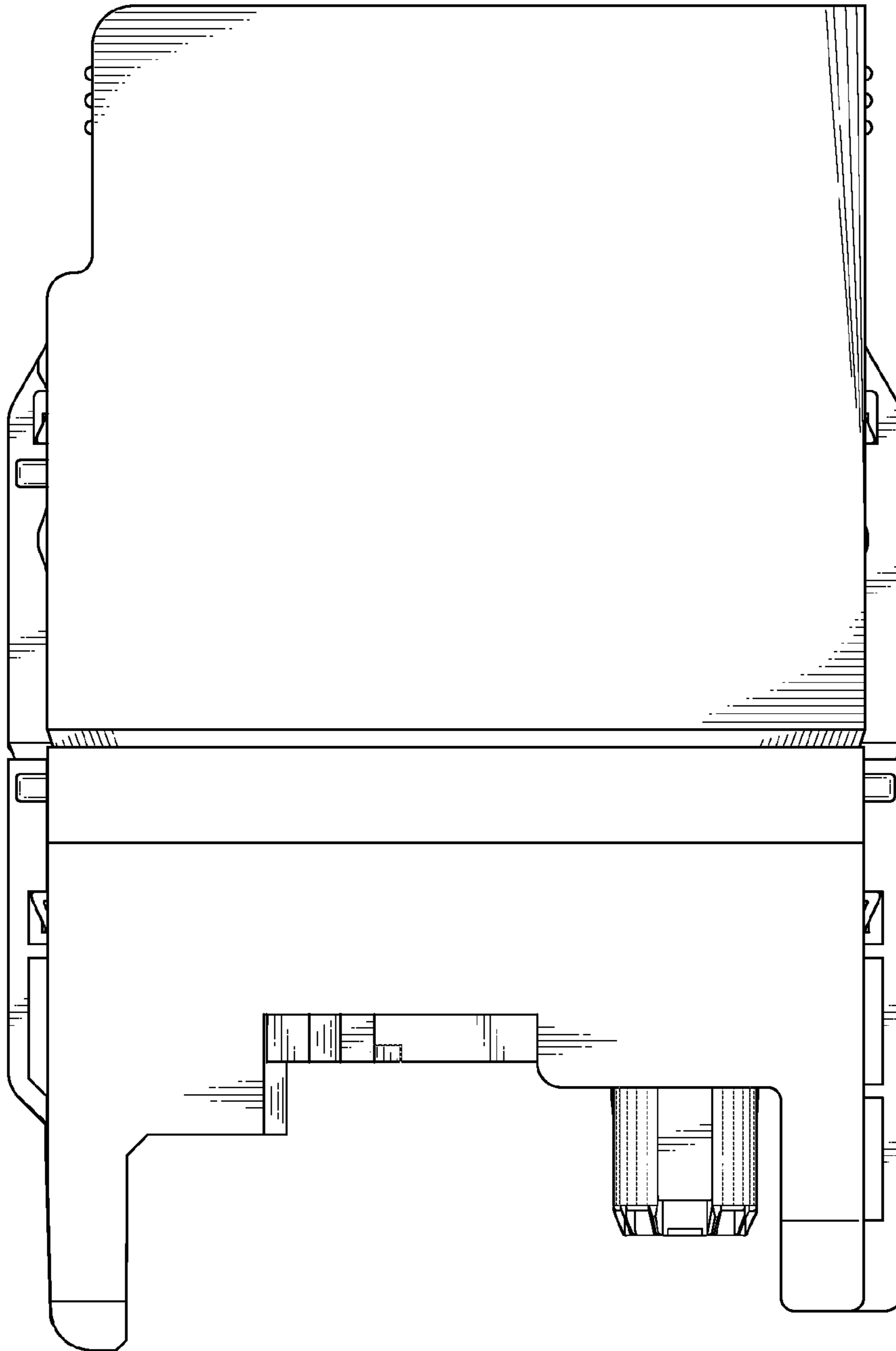


FIG. 2

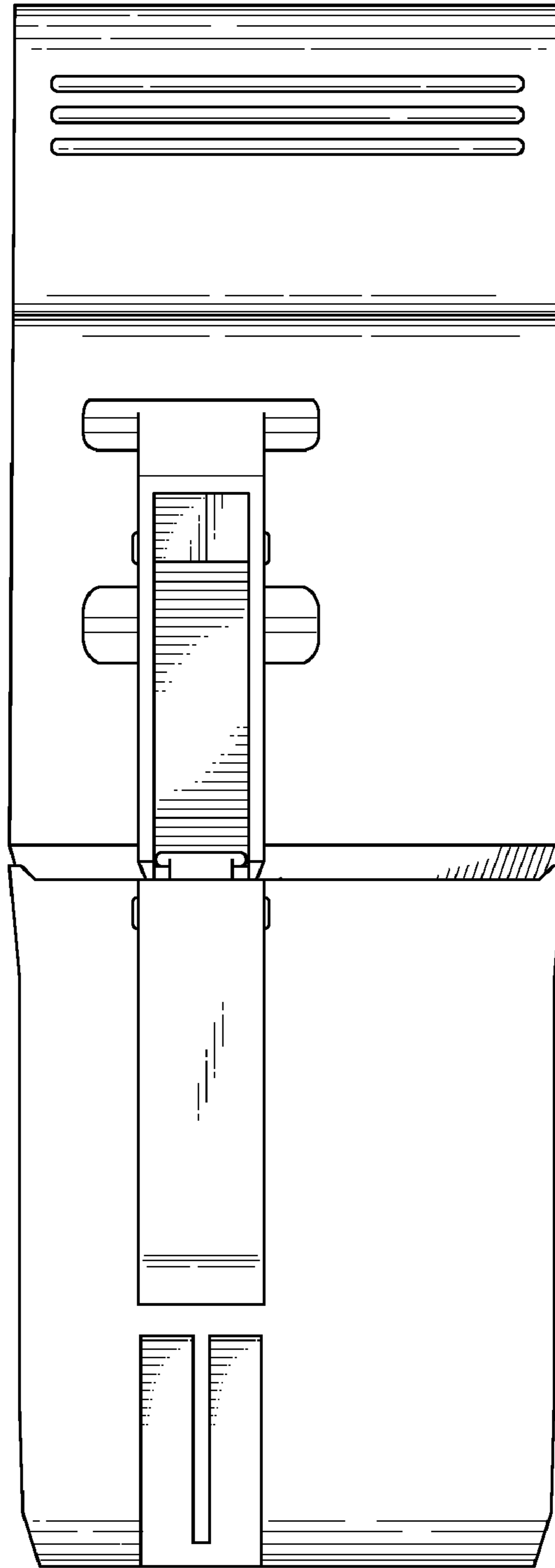


FIG. 3

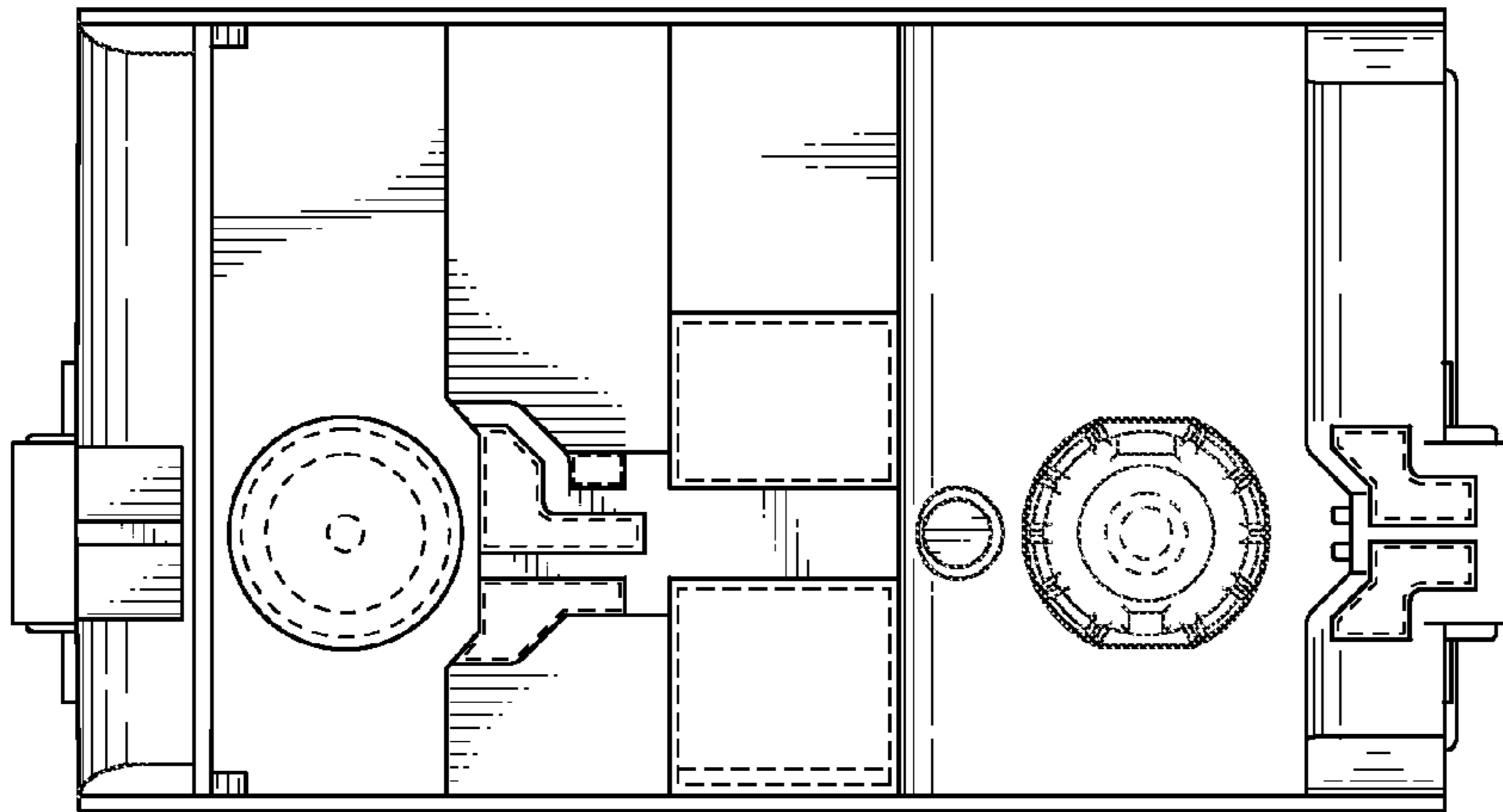


FIG. 5

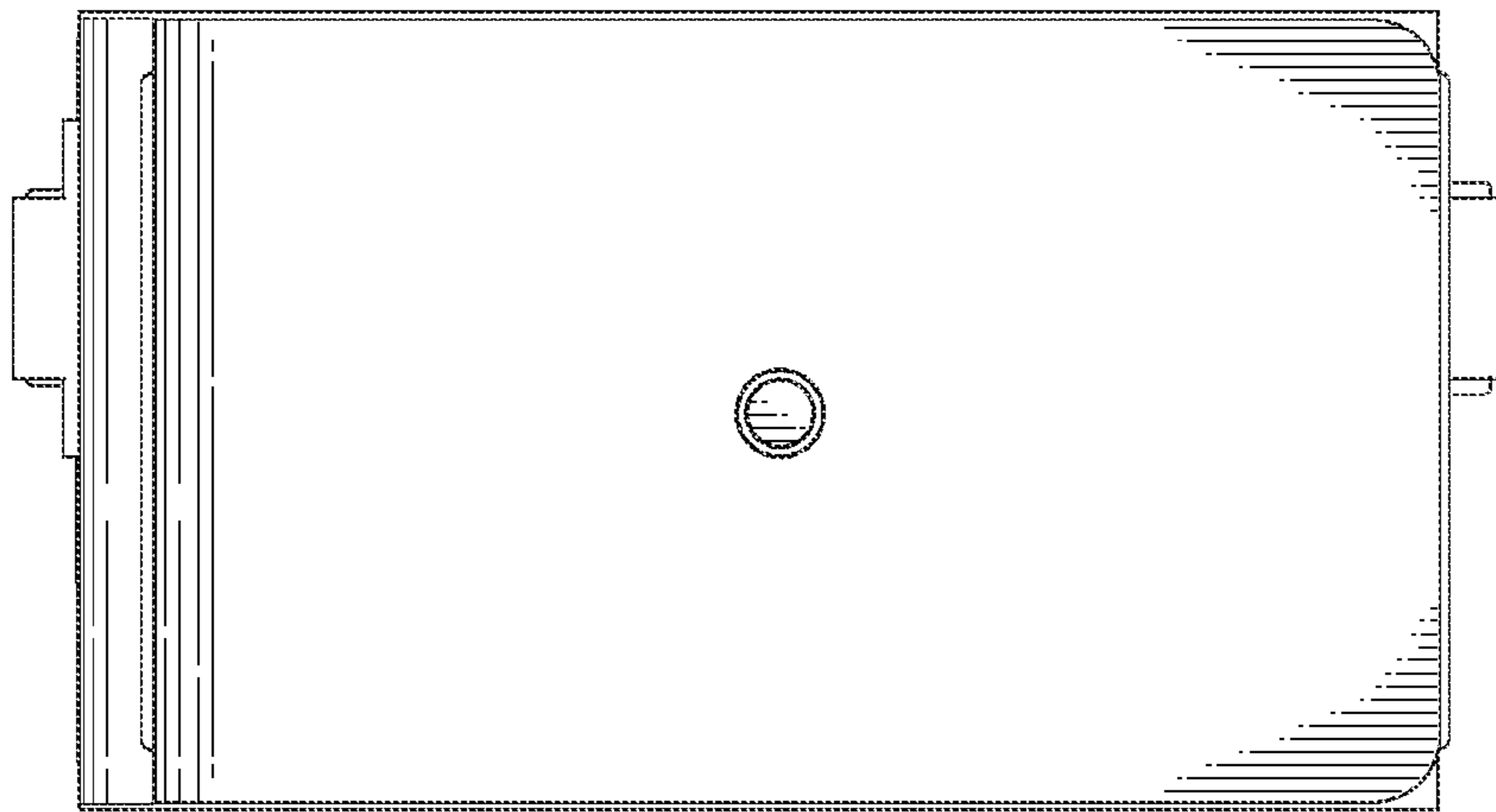


FIG. 4

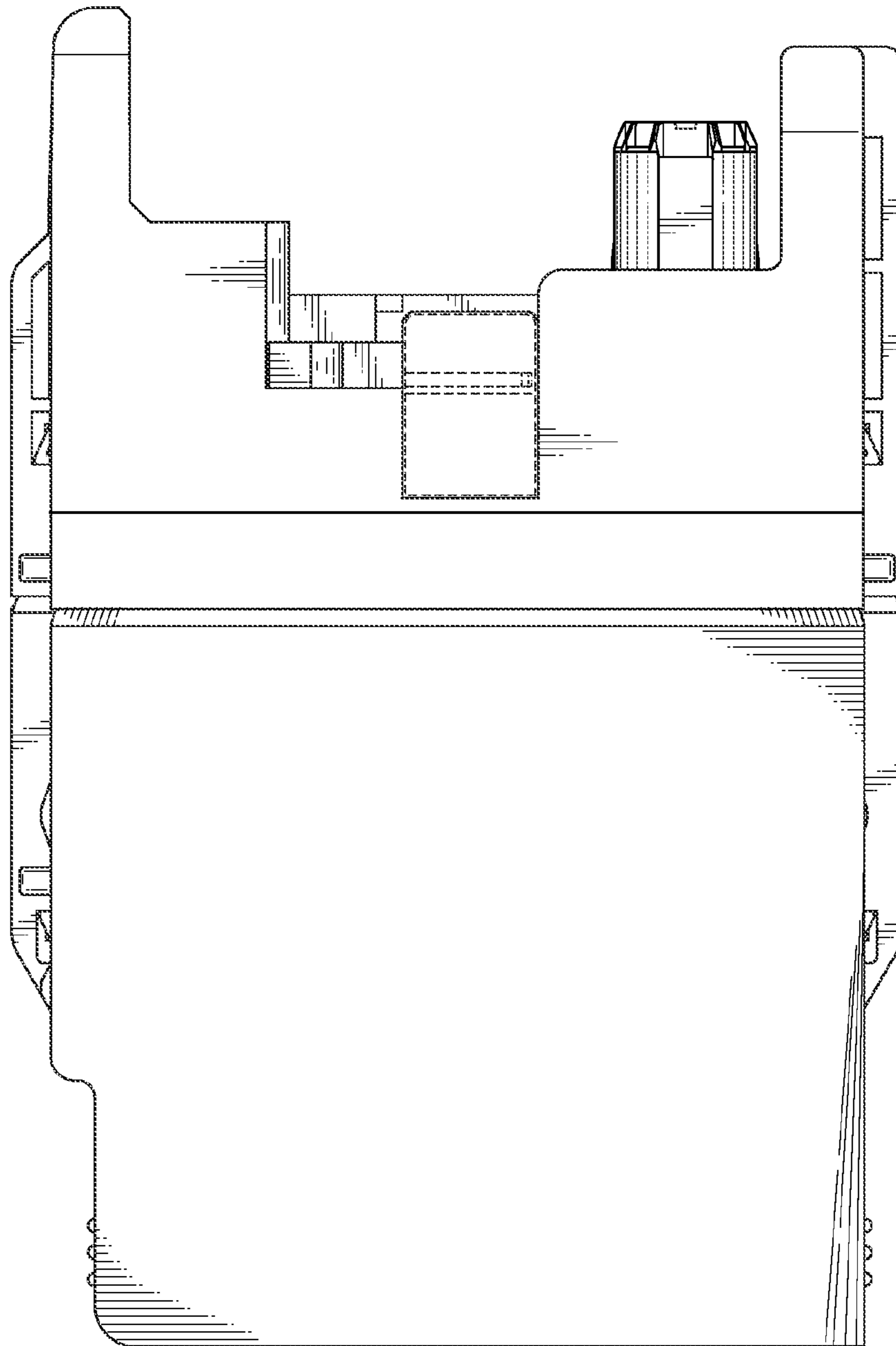


FIG. 6

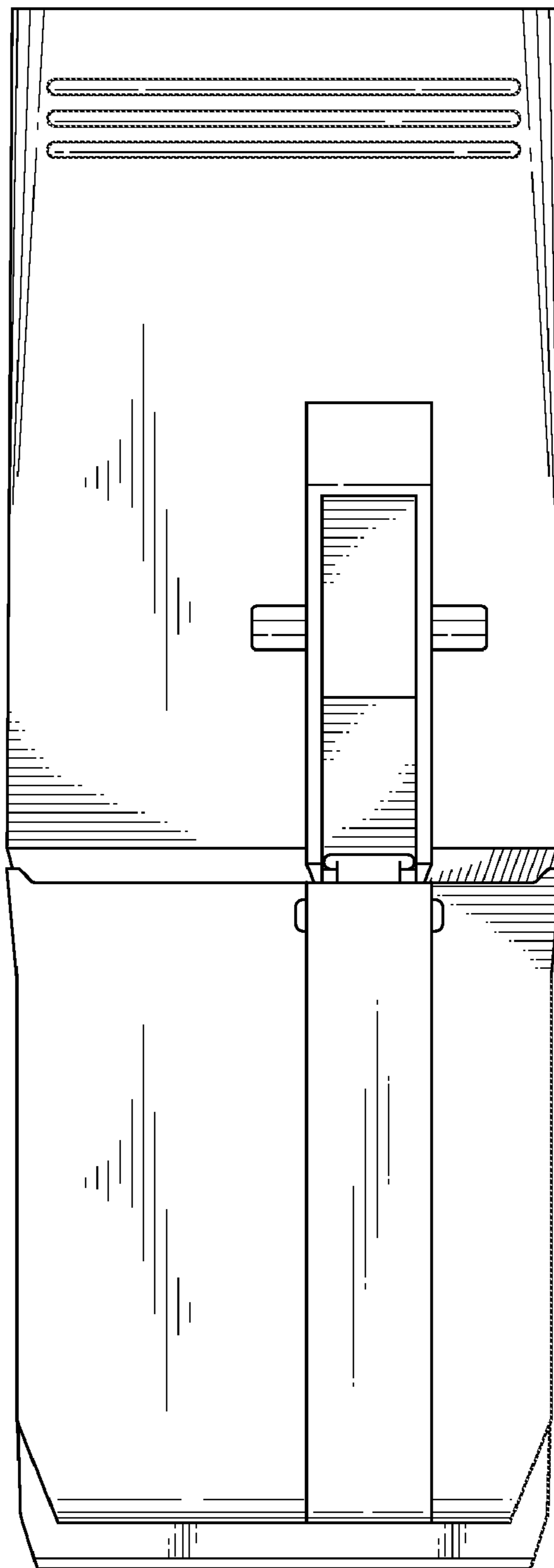


FIG. 7

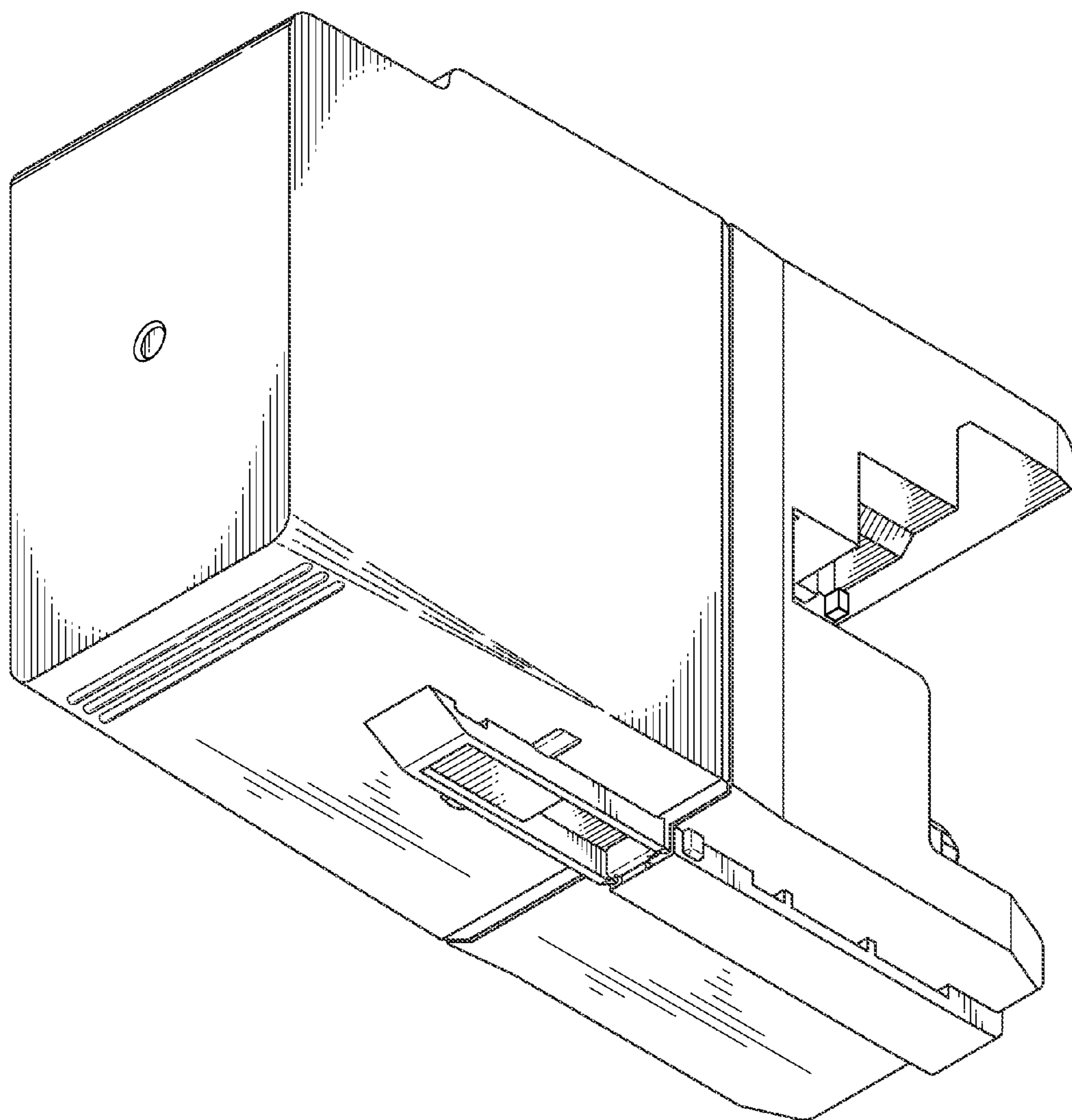


FIG. 8