



US00D656985S

(12) **United States Design Patent**
Kanbe et al.

(10) **Patent No.:** **US D656,985 S**
(45) **Date of Patent:** **** Apr. 3, 2012**

(54) **INK CARTRIDGE**

(75) Inventors: **Tomohiro Kanbe**, Nagoya (JP); **Yuki Takagi**, Nagoya (JP); **Hirotake Nakamura**, Nagoya (JP)

(73) Assignee: **Brother Industries, Ltd.**, Nagoya (JP)

(**) Term: **14 Years**

(21) Appl. No.: **29/381,076**

(22) Filed: **Dec. 15, 2010**

(30) **Foreign Application Priority Data**

Jun. 17, 2010 (JP) 2010-14837

(51) **LOC (9) Cl.** **18-02**

(52) **U.S. Cl.** **D18/56**

(58) **Field of Classification Search** D18/56;
347/86-87

See application file for complete search history.

(56) **References Cited**

U.S. PATENT DOCUMENTS

D465,516 S *	11/2002	Shinada et al.	D18/56
D536,374 S *	2/2007	Shinada et al.	D18/56
7,188,939 B1 *	3/2007	Sasaki	347/86
D540,855 S *	4/2007	Umezawa et al.	D18/56
D540,857 S *	4/2007	Hattori	D18/56
D541,337 S *	4/2007	Hattori	D18/56

7,682,007 B2 *	3/2010	Sasaki	347/86
7,918,548 B2 *	4/2011	Hattori et al.	347/86
D641,400 S *	7/2011	Hattori	D18/56
2007/0229615 A1 *	10/2007	Hattori et al.	347/86
2007/0229616 A1 *	10/2007	Sasaki	347/86
2007/0236546 A1 *	10/2007	Sugahara	347/86
2008/0239036 A1 *	10/2008	Hattori	347/86

* cited by examiner

Primary Examiner — Cathy A MacCormac

(74) *Attorney, Agent, or Firm* — Oliff & Berridge, PLC

(57) **CLAIM**

The ornamental design for an ink cartridge, as shown and described.

DESCRIPTION

FIG. 1 is a front, top and left-side perspective view of an ink cartridge;

FIG. 2 is a front view thereof;

FIG. 3 is a top view thereof;

FIG. 4 is a right-side view thereof;

FIG. 5 is a left-side view thereof;

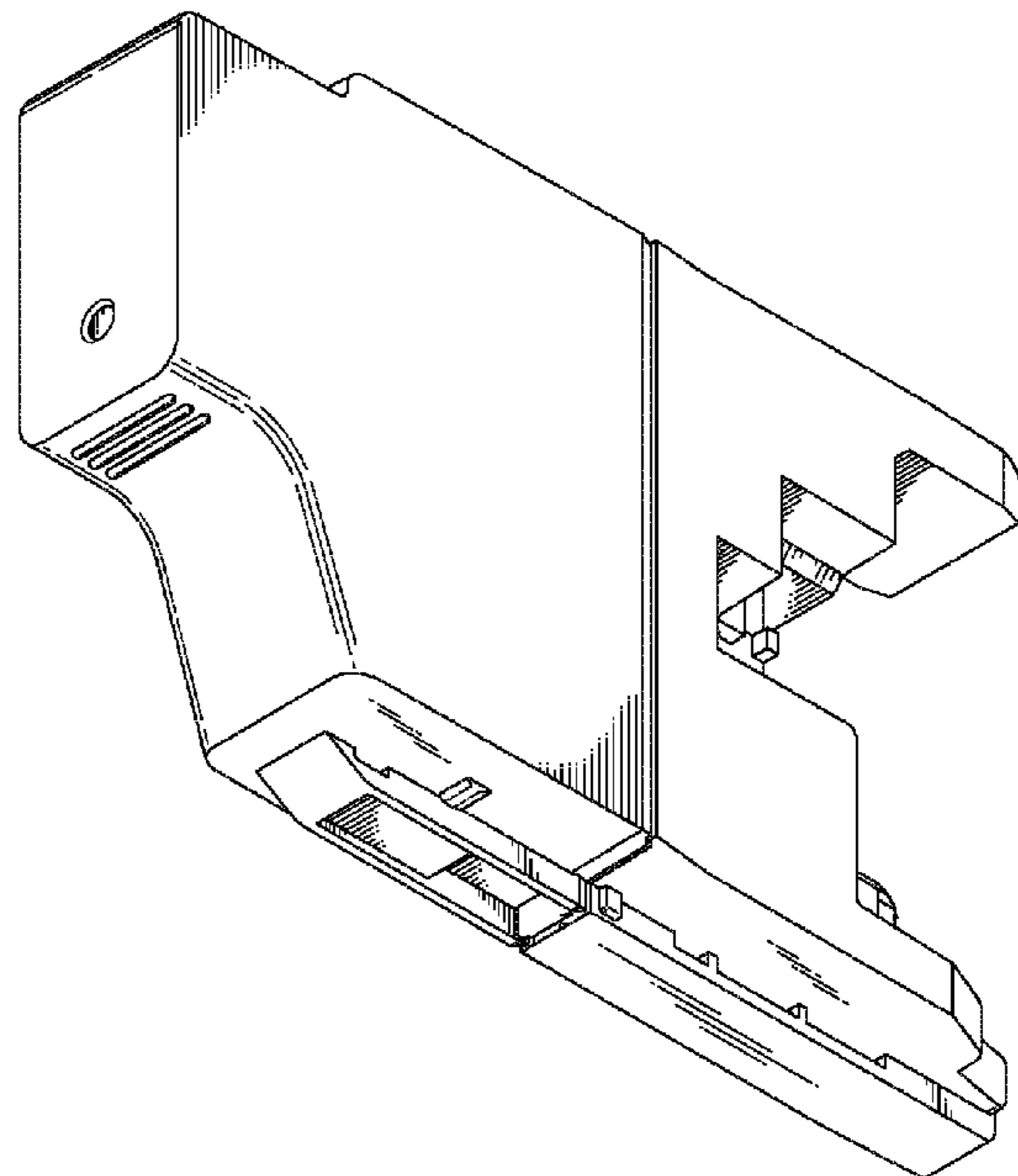
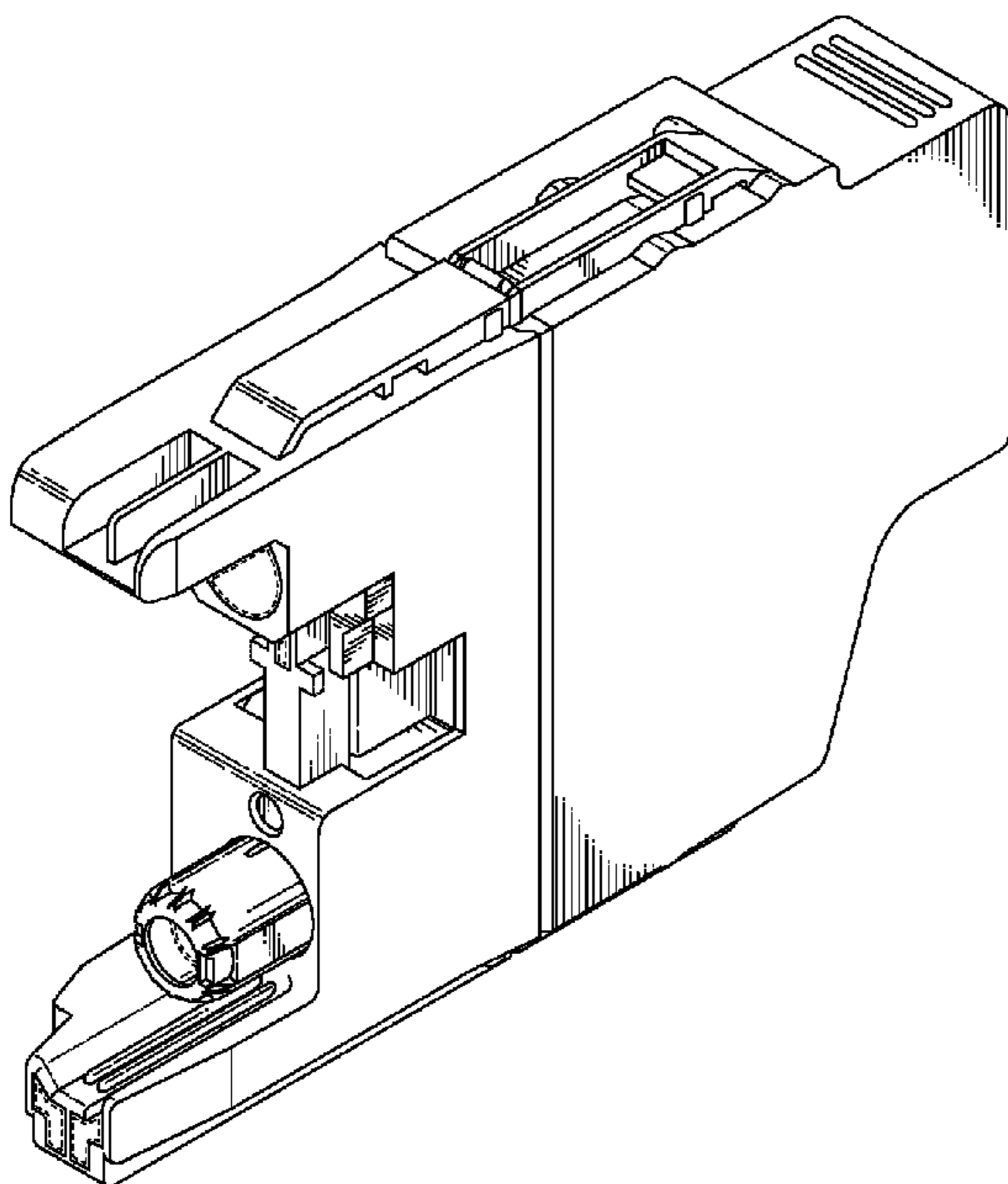
FIG. 6 is a rear view thereof;

FIG. 7 is a bottom view thereof; and,

FIG. 8 is a rear, bottom and right-side perspective view thereof.

The broken lines depict environmental subject matter only and form no part of the claimed design.

1 Claim, 7 Drawing Sheets



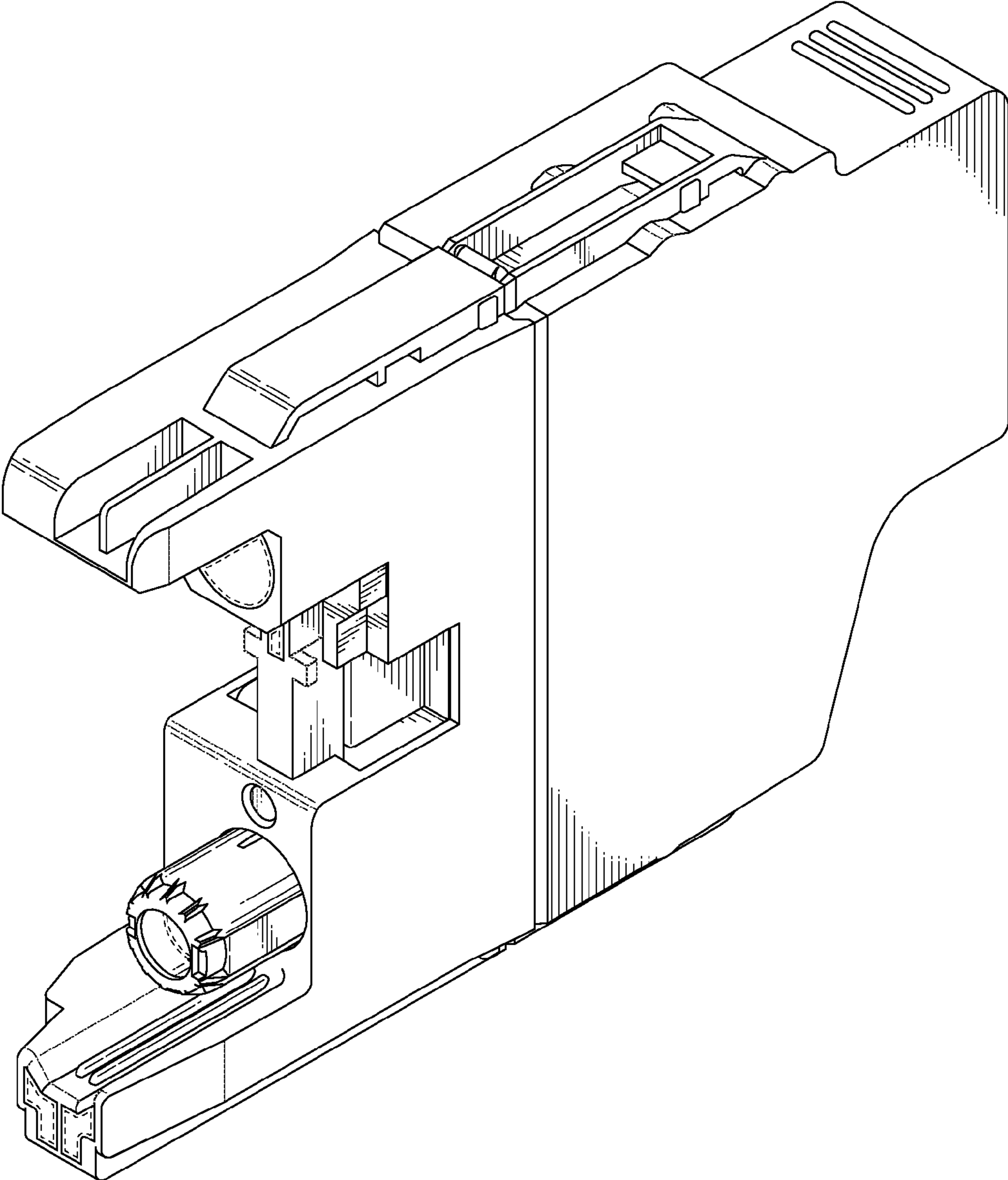


FIG. 1

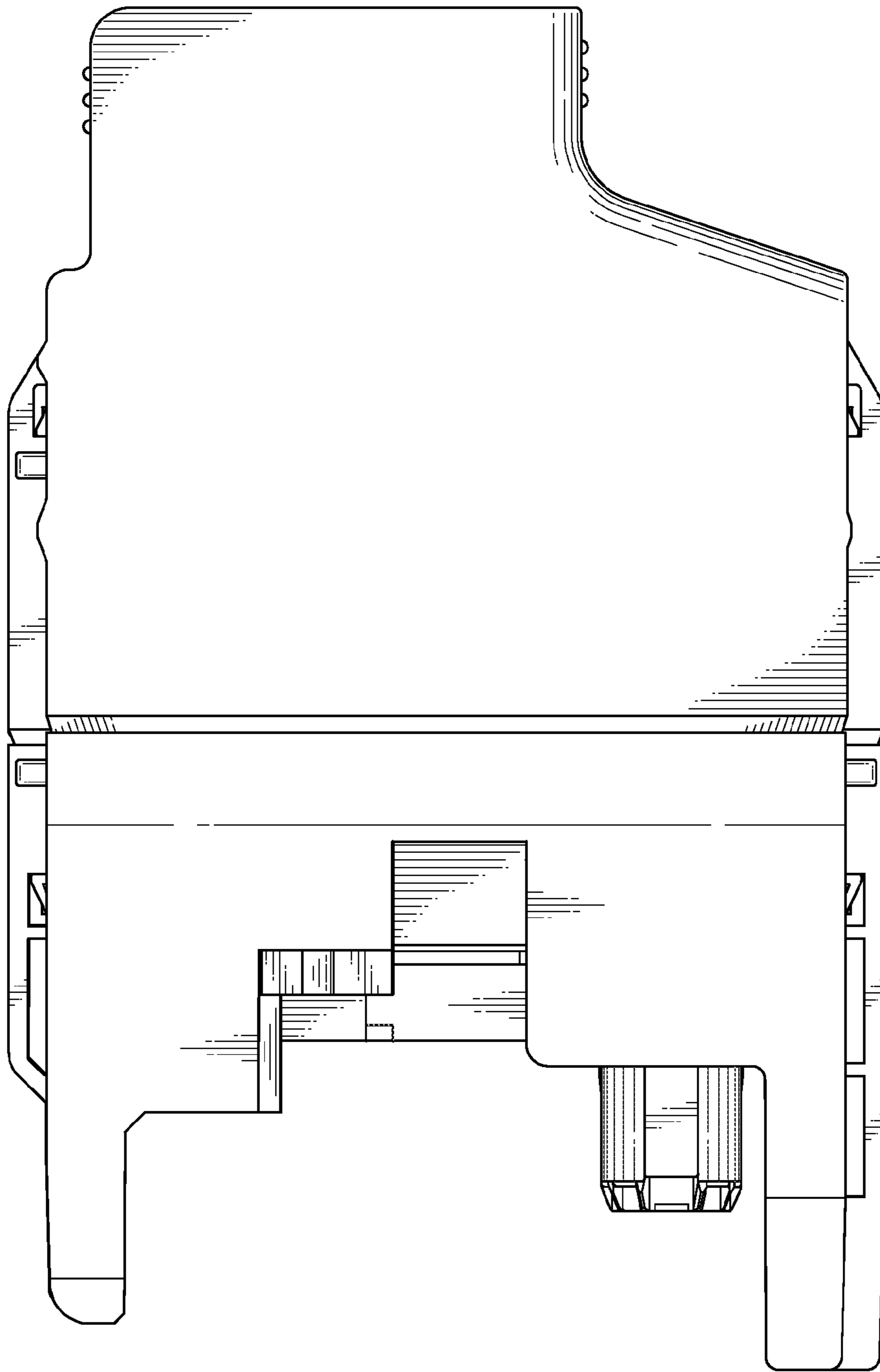


FIG. 2

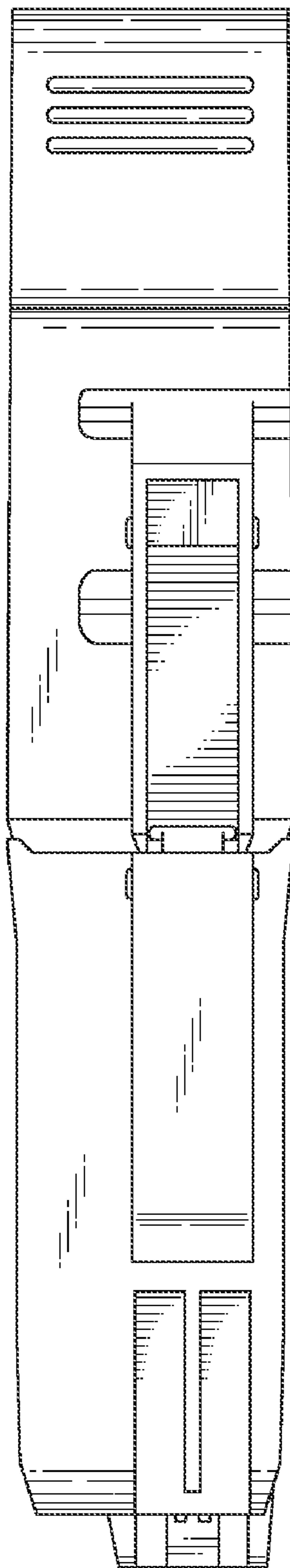


FIG. 3

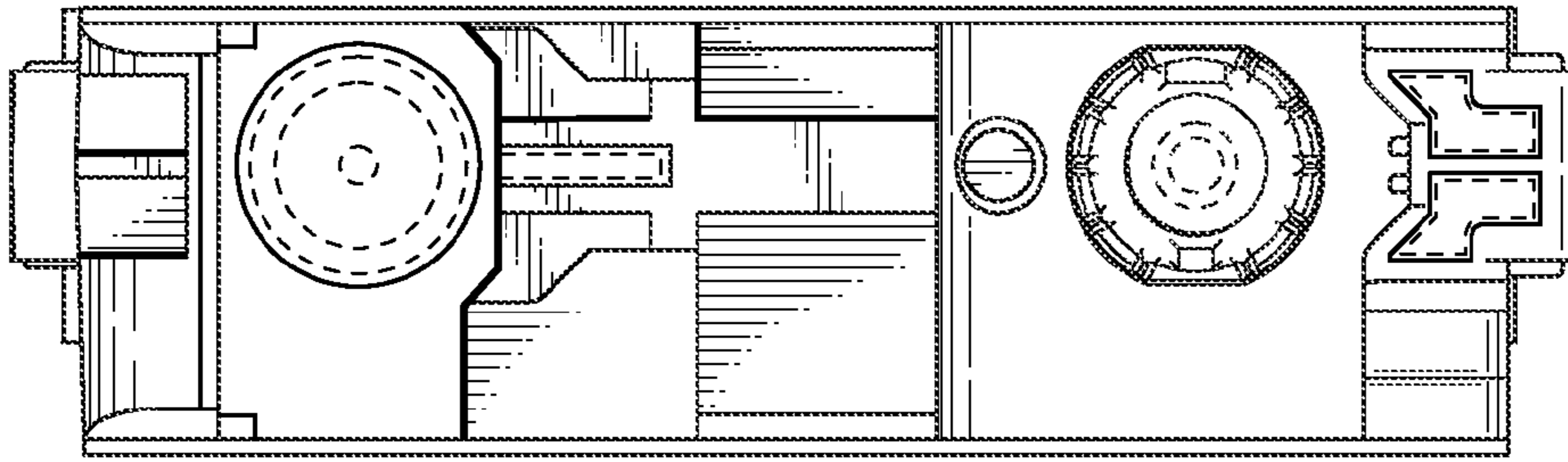


FIG. 5

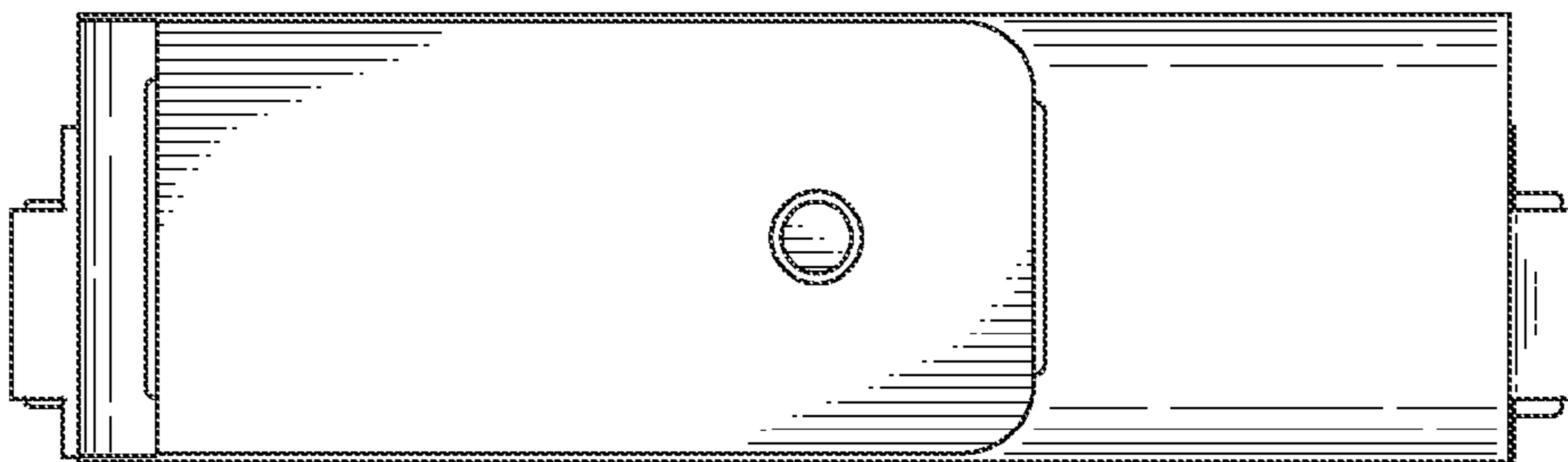


FIG. 4

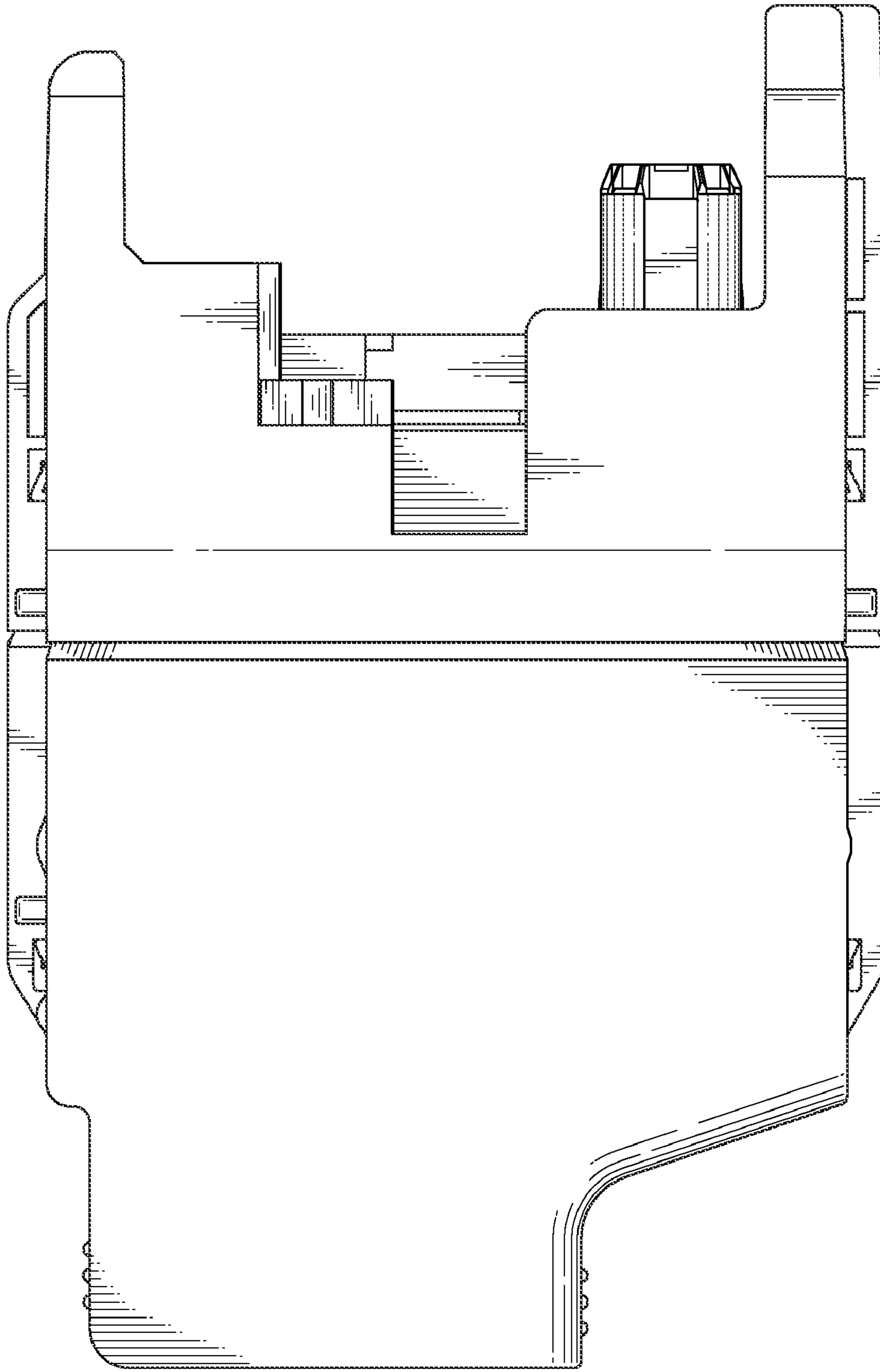


FIG. 6

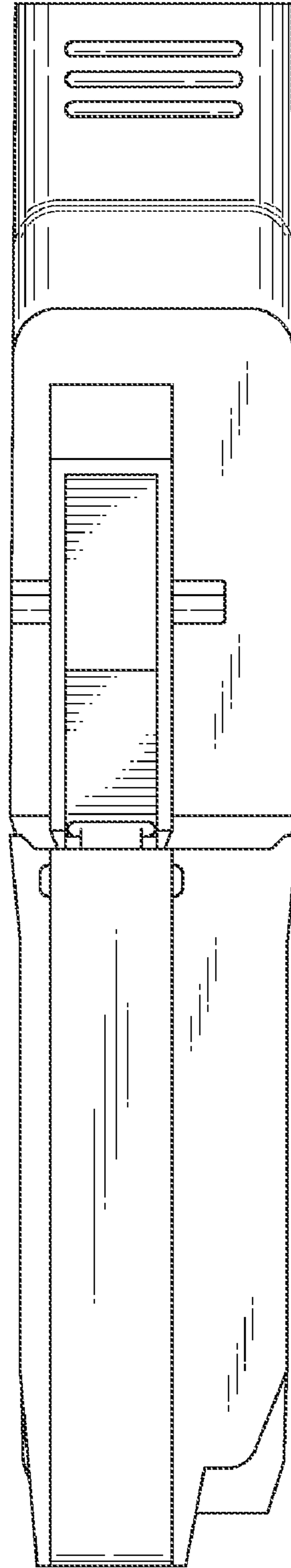


FIG. 7

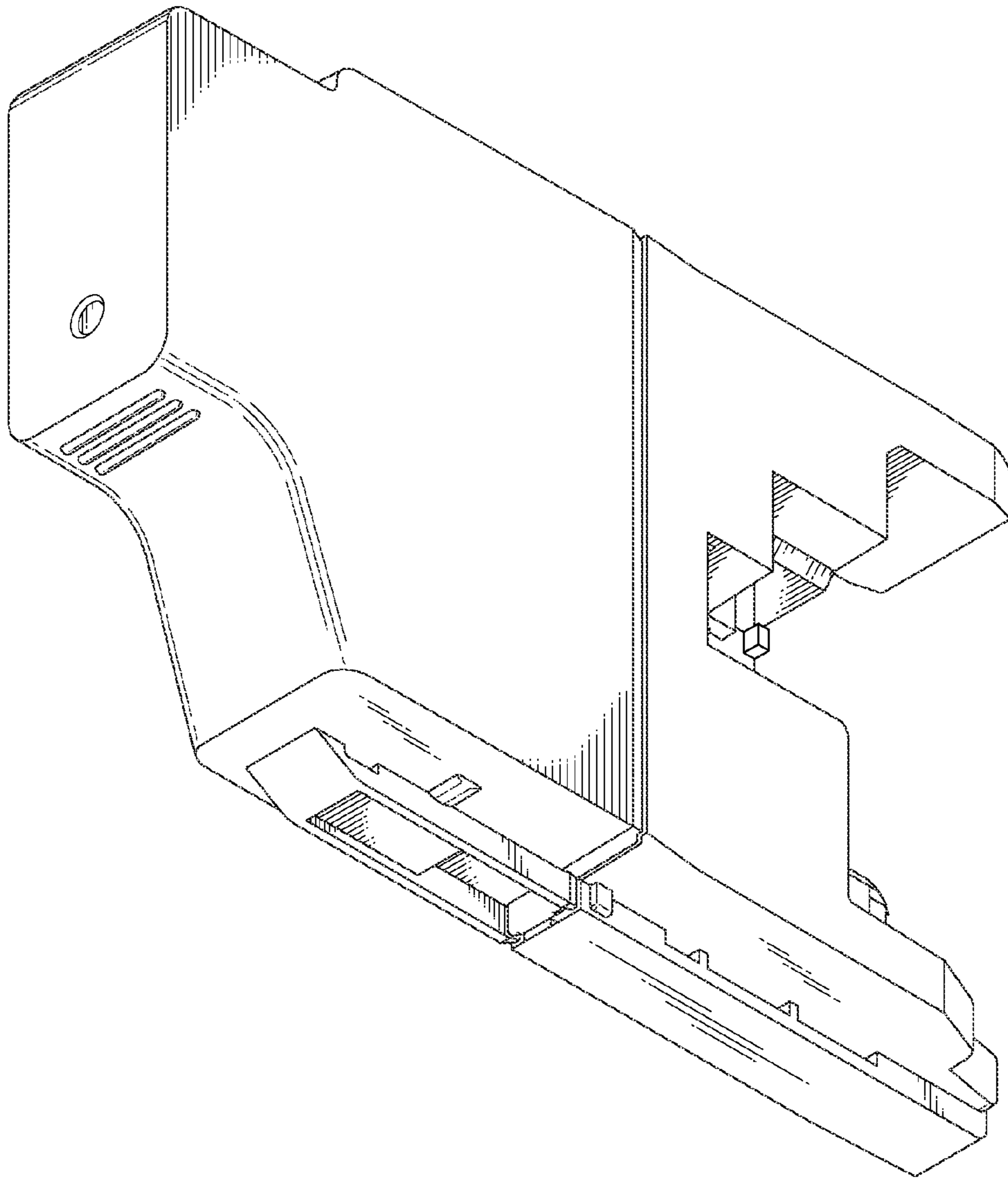


FIG. 8